

ASSEMBLY INSTRUCTION

CVFDR1005

PARTS

	DESCRIPTION		
A	 Cabinet	1	
B	 Legs	2	

HARDWARE

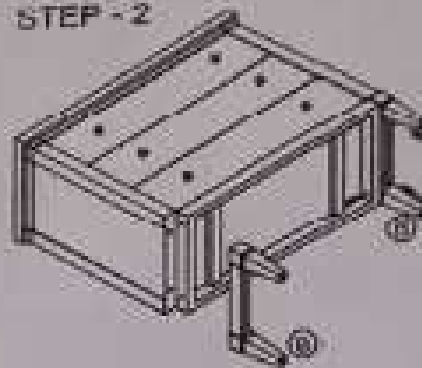
	DESCRIPTION	
H1	 Bolt (50 mm x 6 mm)	8
H2	 Flat washers (17 mm x 6 mm)	8
H3	 Spring washers (14 mm x 5 mm)	8
H4	 Hex key M4	1

STEP - 1

1. Open the first two drawers of cabinet (A).
2. Take the Legs in the first two drawers of cabinet.

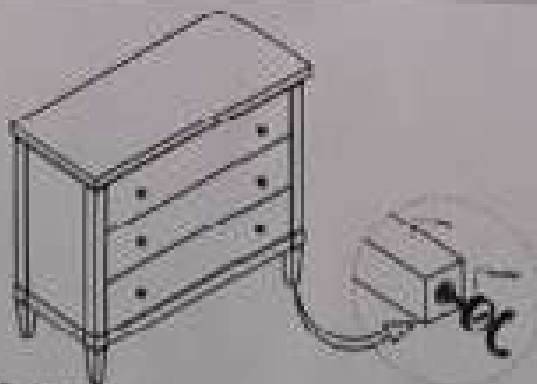


STEP - 2



1. Place the cabinet (A) with drawers of cabinet.
2. Place on the leg (B) at the bottom right of cabinet (A) then insert two (2) H1 Bolts through two (2) H2 and H3 washers through the holes on Bottom of cabinet (A) and into the holes on leg (B) (see picture), without tightening fully.
3. Place the other leg (B) in the space provided on the Bottom left of cabinet (A), then insert two (2) H1 Bolts through two (2) H2 and H3 washers and through the holes on the Bottom of cabinet (A) and into holes on leg (B) (see picture), without tightening fully.
4. Tighten all bolts with the H4 wrench.

COMPLETED



Levels are provided at the bottom to the cabinet on unlevel surface