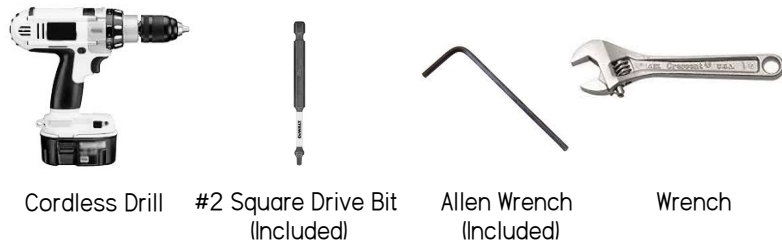


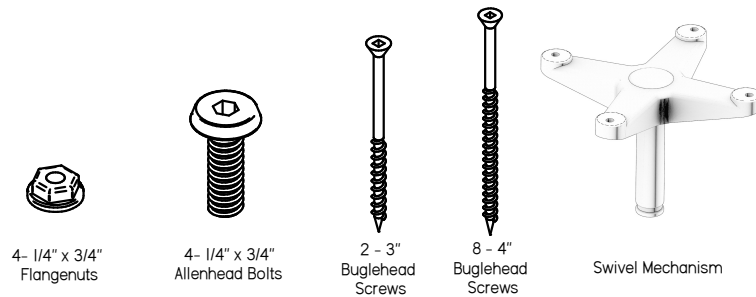
# Counter & Bar Swivel Chairs Assembly Guide



## Tools Required



## Hardware Included

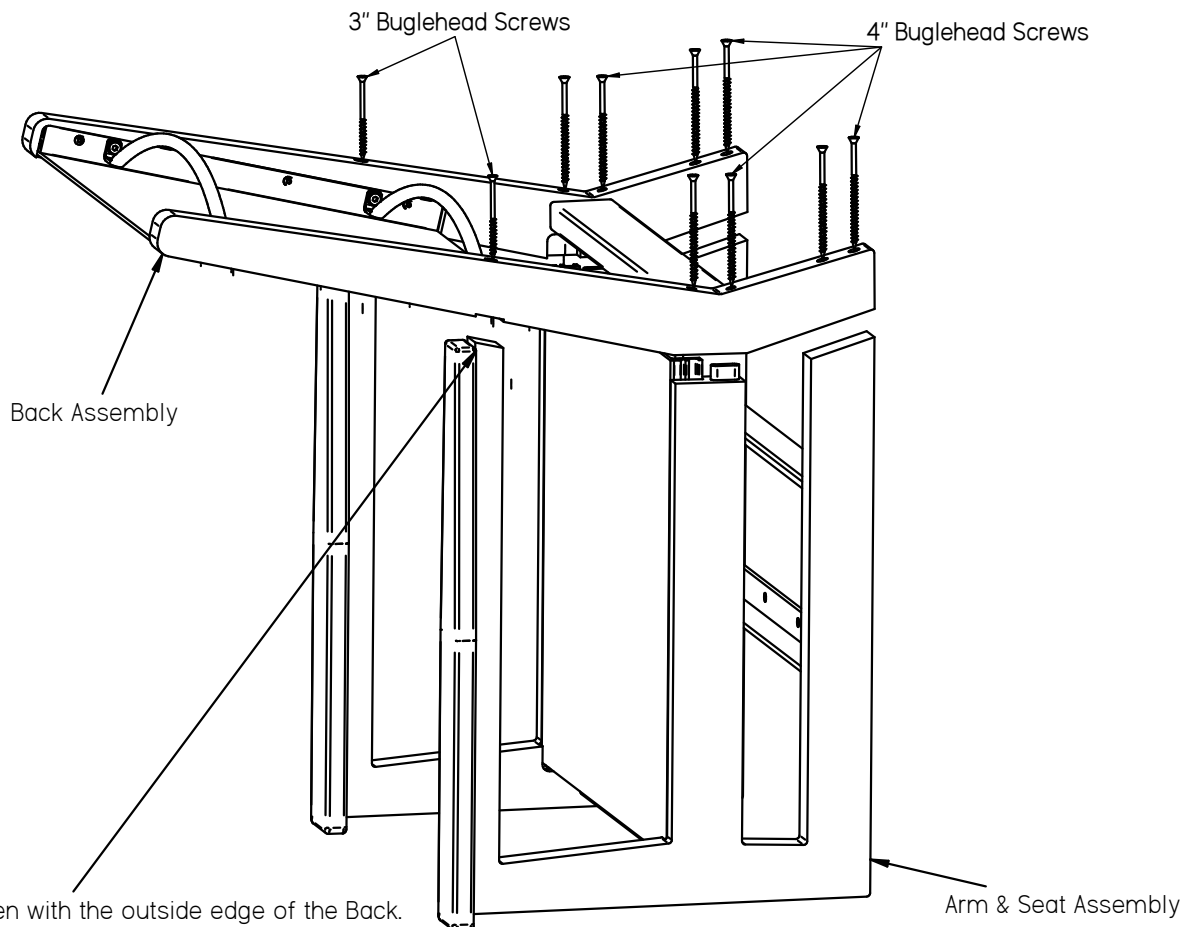


## Step 1

Set the Arm and Seat Assembly forward onto the front of the Back and set the Back Assembly on top. Be sure to do this on top of a soft surface to avoid damaging the arms. Fasten the Back to the Seat using eight - 4" Buglehead Screws. Keeping the Arms Supports even with the outside edges of the Back, fasten them using two - 3" Buglehead Screws.



When tightening screws or lags, **DO NOT OVERTIGHTEN** to avoid stripping their hold on the material!



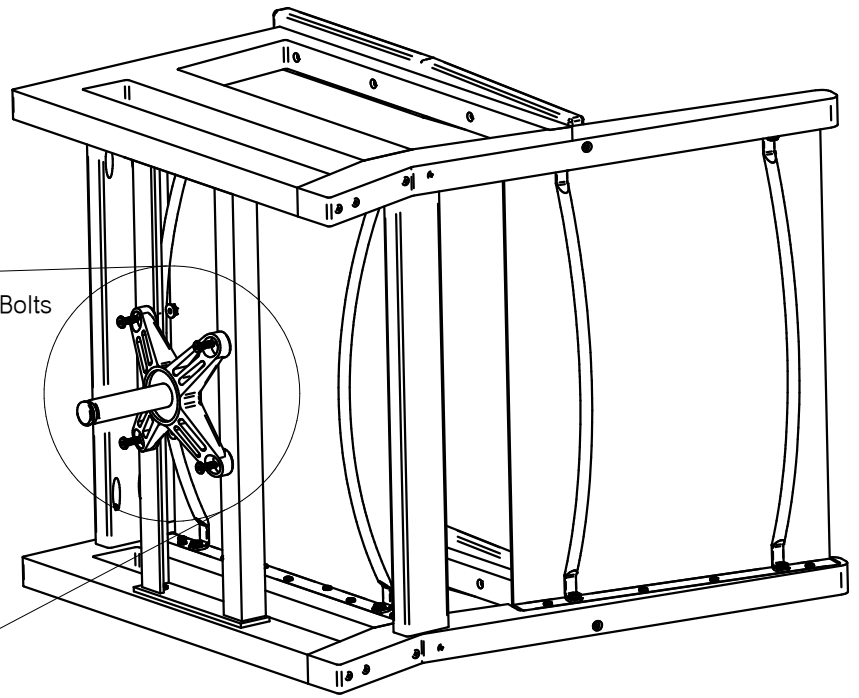
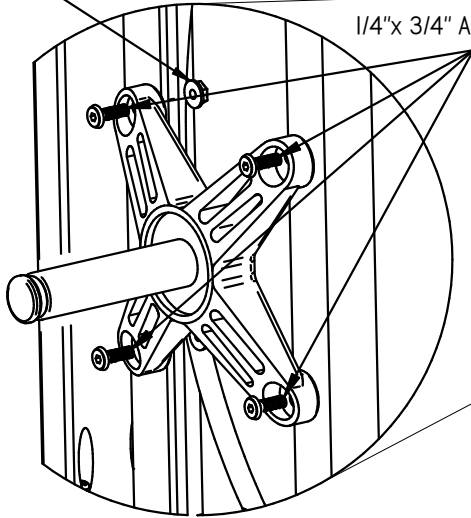
Keep the Arm Support even with the outside edge of the Back.

## Step 2

Fasten the swivel stem to the aluminum frame located under the seat using 4 - 1/4" x 3/4" allen head bolts and flange nuts. Be sure to tighten firmly.

1/4" Flange Nut

1/4"x 3/4" Allen Head Bolts



Step 2 Detail

## Step 3

Lift the top of the chair and set the swivel stem into the receiver of the base. Push firmly onto the chair until it sits securely in the receiver.

