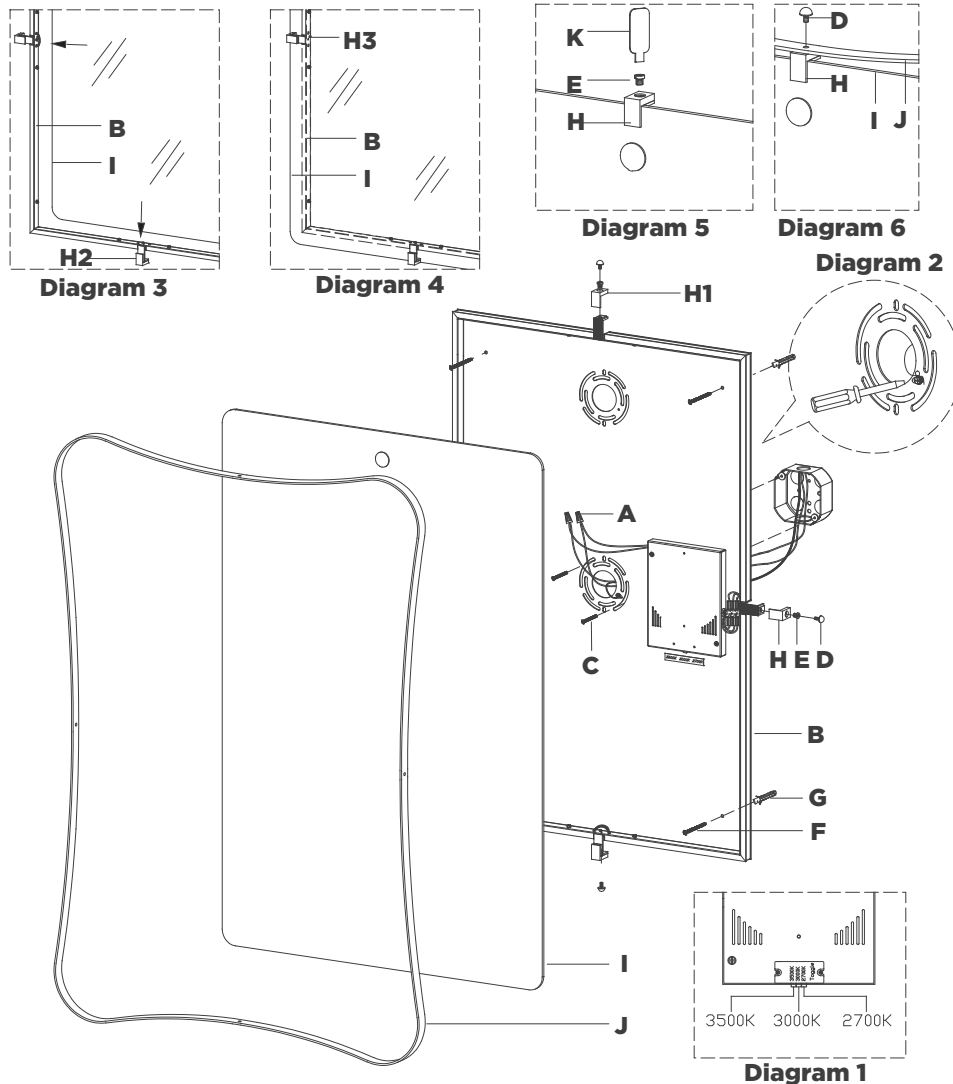


ASSEMBLY INSTRUCTIONS



Barnes 27" Backlit Mirror

Item # AL2070

NOTICE:

This light fixture should be installed in accordance with all applicable, local installation codes, and by a person familiar with the construction and operation of it, as well as the hazards involved. Inspect item and contents carefully. If any damage or defect is found, do not install. Retain all packaging material until installation is complete and approved.

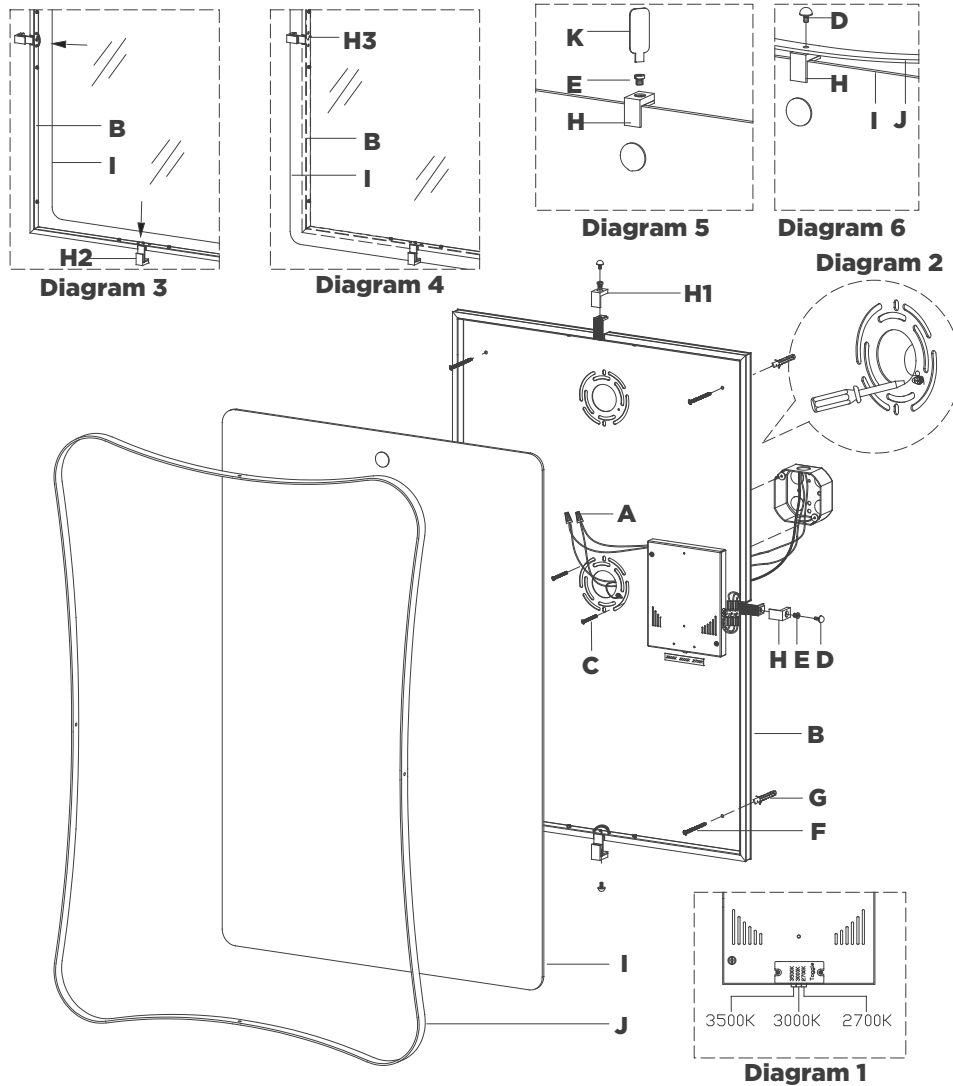
TOOLS REQUIRED (NOT INCLUDED):

Phillips Screwdriver	Slotted Screwdriver	Hammer
Pencil	Drill	

- Carefully remove all parts from the box. Place on a clean, soft surface.
- Remove fixture frame (J) from fixture (B) by removing screws (D).
- Using fixture (B) as a guide, line up with the junction box and mark anchor positions.
- Using a drill bit slightly smaller than the anchor, drill holes in the marked positions. Install anchors (G) into the holes using a hammer.
- Install fixture (B) to the junction box and secure with mounting screws (C), then secure wood screws (F) to anchors (G).
- Wrap supply ground wire (usually green or bare copper) around the green grounding screw (see diagram 2). Tighten.
- Connect fixture neutral wire (white) to the supply neutral wire (usually white) using wire nut (A).
- Connect fixture hot wire (black) to the supply hot wire (usually black) using wire nut (A).

CAUTION: Do not reverse the hot and neutral connections.

ASSEMBLY INSTRUCTIONS



Barnes 27" Backlit Mirror

Item # AL2070

NOTICE:

This light fixture should be installed in accordance with all applicable, local installation codes, and by a person familiar with the construction and operation of it, as well as the hazards involved. Inspect item and contents carefully. If any damage or defect is found, do not install. Retain all packaging material until installation is complete and approved.

9. Make sure all wire connections are tight, then carefully tuck into the junction box.
10. Remove brackets (**H & H1**) from fixture (**B**), then place mirror (**I**) to brackets (**H2 & H3**) on fixture. Reattach the brackets (**H & H1**) to fixture (**B**) and secure with screws using provided tool (**K**) (see diagram 3 & 4 & 5).
11. Install fixture frame (**J**) to fixture (**B**) and secure with screws (**D**).

CARE INSTRUCTIONS: Clean only with a soft dry cloth or feather duster. Do not use abrasive or chemical agents.