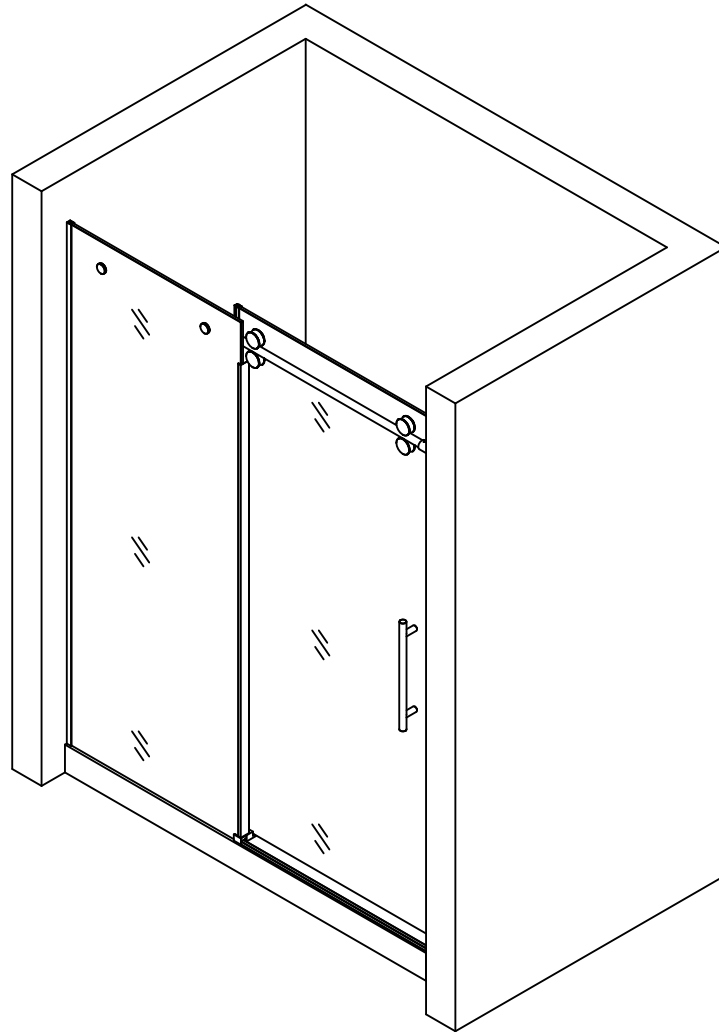


Shower Door Installation Guide

SS04



Plz do not just return when meeting difficulties in installation, just contact your seller for help.

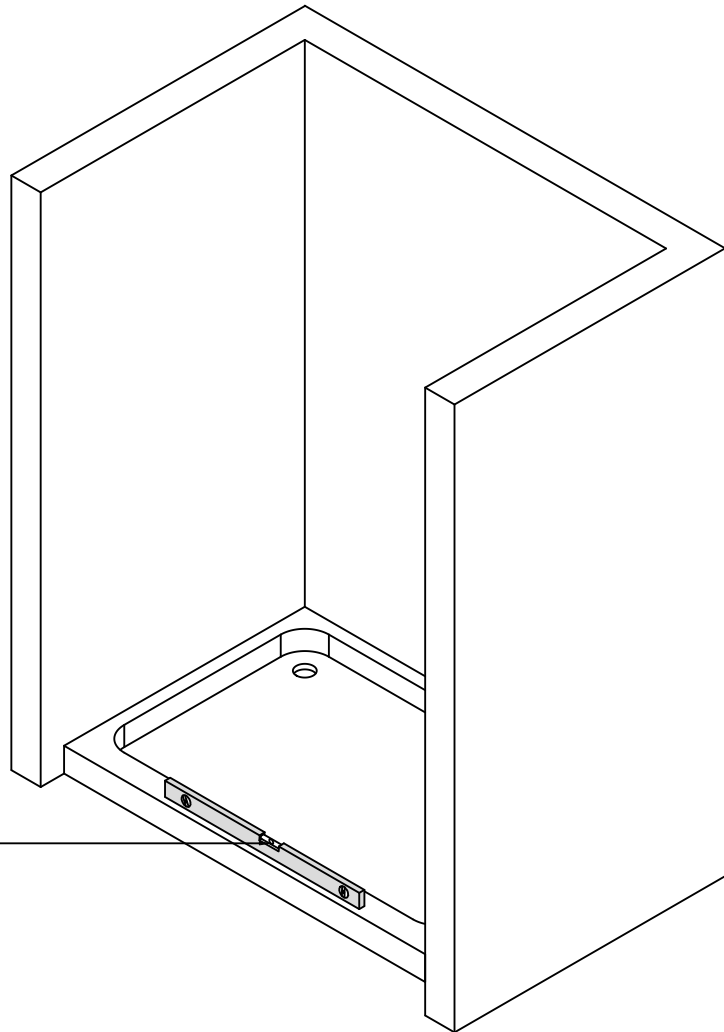
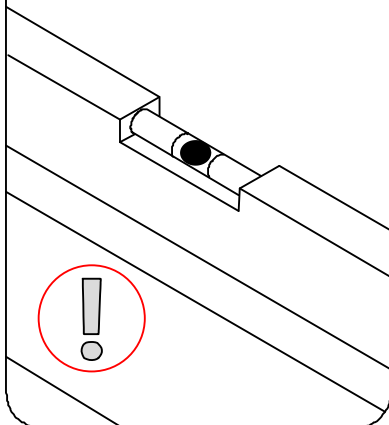
Model Specific Preparation



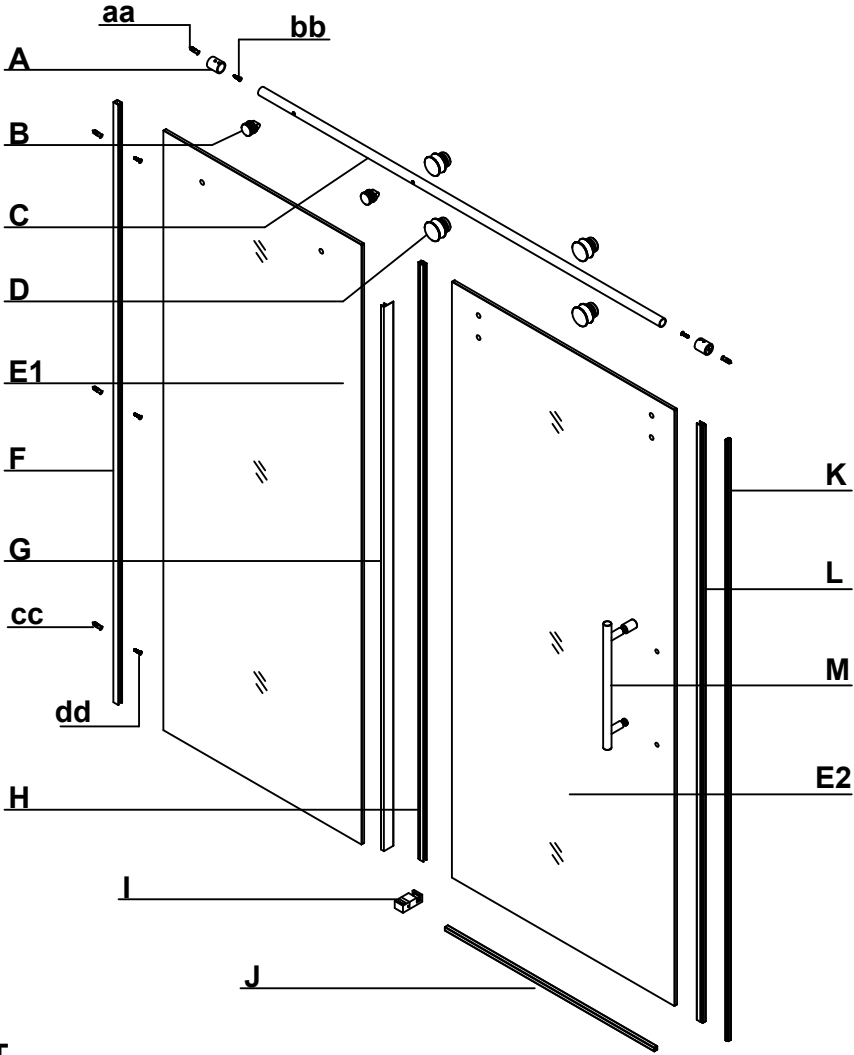
REQUIRED:

Inspect the shower threshold for level with a level or straightedge. Adjust the threshold as necessary until achieving perfectly horizontal.

The threshold must be perfectly horizontal.



PACKAGE CONTENT

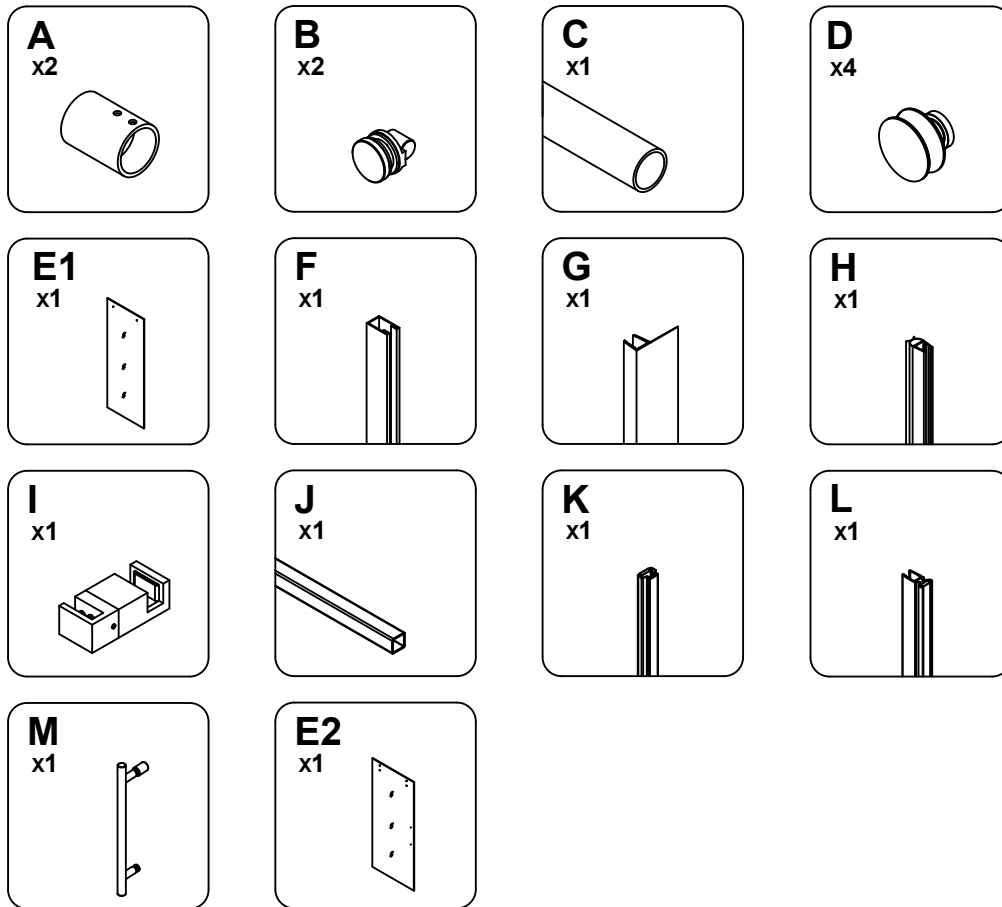


PARTS LIST

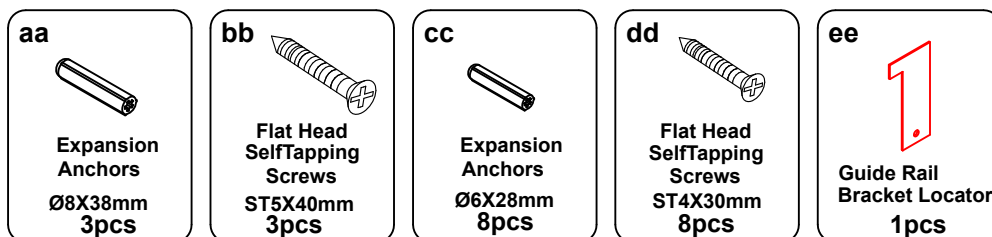
PART#	DESCRIPTION	QTY	PART#	DESCRIPTION	QTY
A	Guide Rail Bracket	2	H	Door Side Seal Strip	1
B	Glass Railing Stabilizer	2	I	Bottom Guide Block	1
C	Top Guide Rail	1	J	Threshold Water Dam	1
D	Roller	4	K	Wall Magnetic Seal Strip	1
E1	Fixed Panel	1	L	Door Magnetic Seal Strip	1
F	Wall Channel	1	M	Handle	1
G	Fixed Side Seal Strip	1	E2	Sliding Panel	1

NOTE Please inspect all parts for any missing items before installation!
If any part is missing, please contact us.

PACKAGE CONTENT



HARDWARE CONTENT



Additional spare parts are included.

NOTE

Inspect all parts for any missing items prior to installation!
Contact us if any parts are missing.


TOOLS REQUIRED

Drill Bits




Ø1/4" & Ø5/16" (6 & 8mm) dia.
HSS

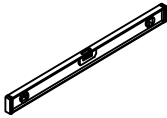
Screw Driver



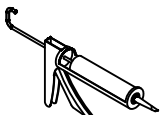
Drill



Level



Sealant



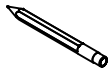
Measuring Tape



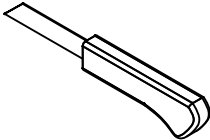
Soft Head Hammer



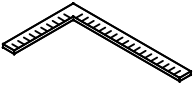
Pencil



Knife



Framing Square




**Masonry Drill Bit For Tile
Ø6mm**



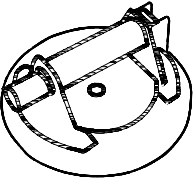
Safety Glasses



Gloves



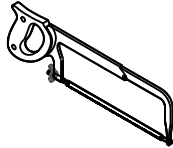
Glass Suction



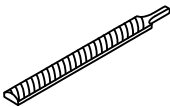
Masking Tape



Hack Saw



Metal File



SAFETY INFORMATION

CAUTION

Please carefully read the following important safety information before handling or installing this shower door. There is a risk of serious injury while handling this product.

To minimize these risks, please note:

- Always wear safety glasses and gloves while handling.
- Always follow the installation instructions.
- Inspect the glass for damage before installation.
- Extreme caution should be taken while handling the glass during installation, as the tempered glass may shatter if it comes into contact with a hard surface.
- Do not cut or modify the tempered glass, as it will shatter if cut.
- Carefully remove the product from its packaging and keep the packaging until the installation is complete.
- Inspect all parts for damage or missing items. If there is any damage or missing parts prior to installation, please contact your seller for help.
- Cover the drain with tape to prevent the loss of small parts.
- The shower base and finished walls should be installed before beginning the shower door installation.
- During installation, protect the shower floor with a drop cloth to prevent damage.
- This product should be installed by two people who are familiar with construction requirements. Professional installation is recommended!
- Keep this installation manual for future reference.

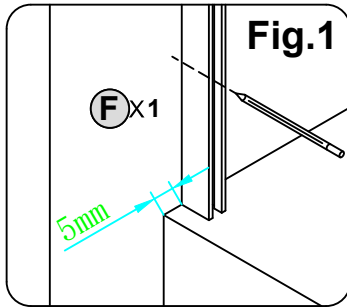
NOTE: Two people should perform this installation.



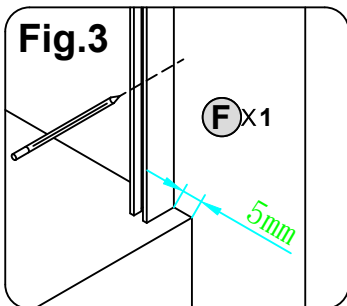
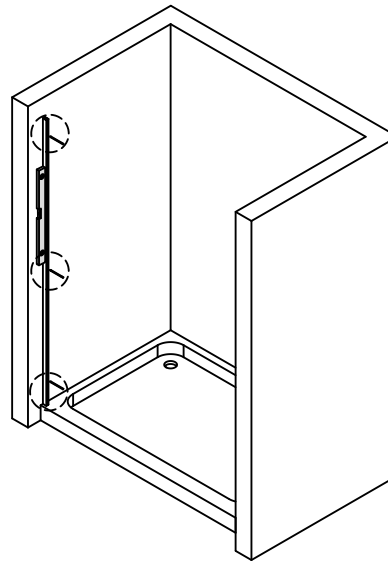
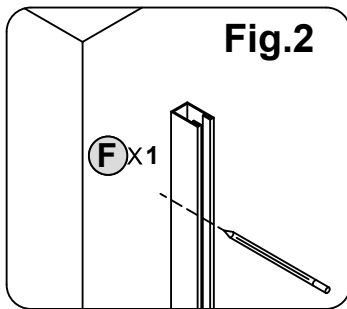
1 Install **Wall Channel (F)**

NOTE

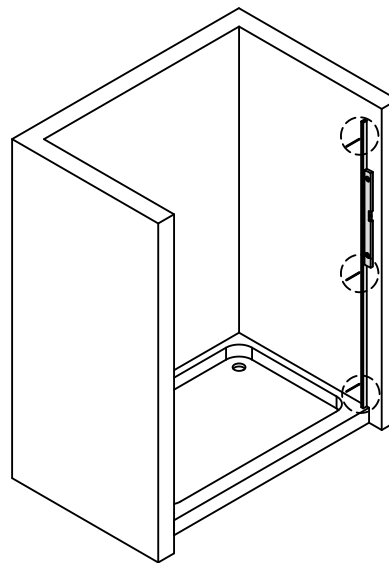
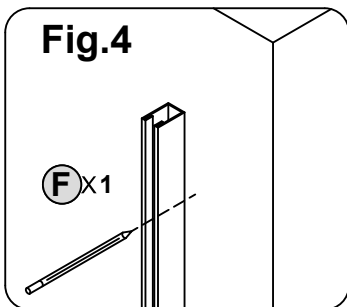
1. Position the **Wall Channel (F)** 3/16" (5mm) from the edge. Use a level to ensure vertical alignment. (Note: For right-side fixed panel installation, refer to Figures 3 and 4.)
2. Mark drill hole positions on the **Wall Channel (F)** with a pencil.



When **Fixed Panel (E1)** is install at the left side



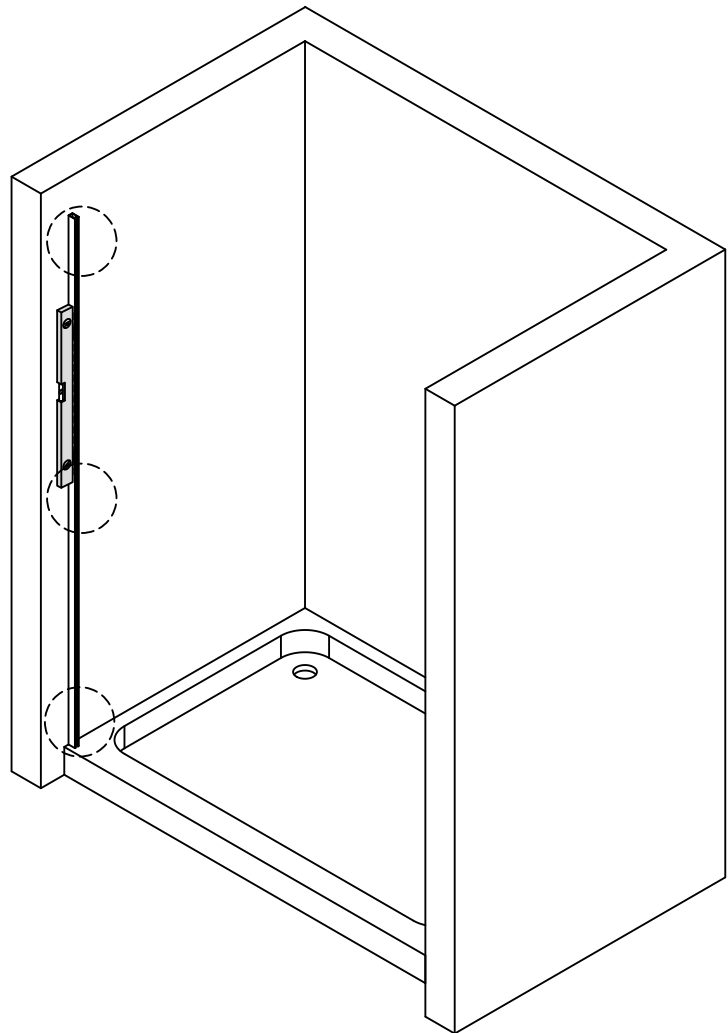
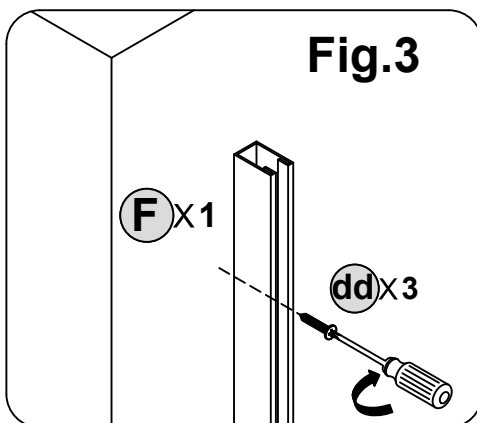
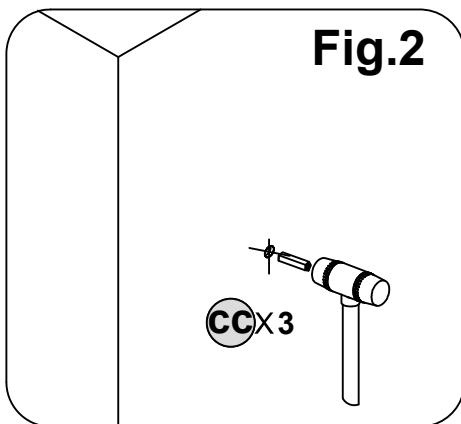
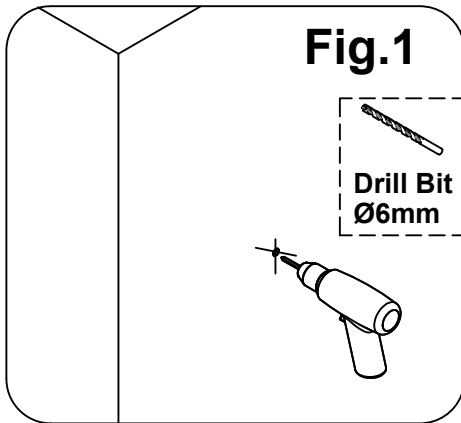
When **Fixed Panel (E1)** is install at the right side



2 Secure Wall Channel (F)

NOTE

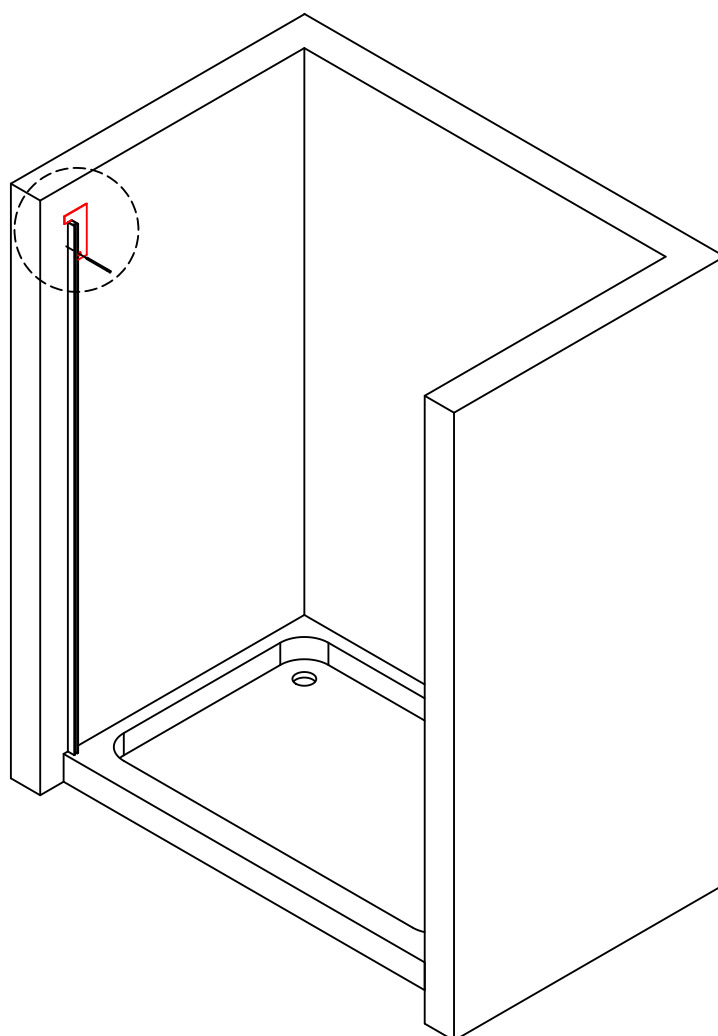
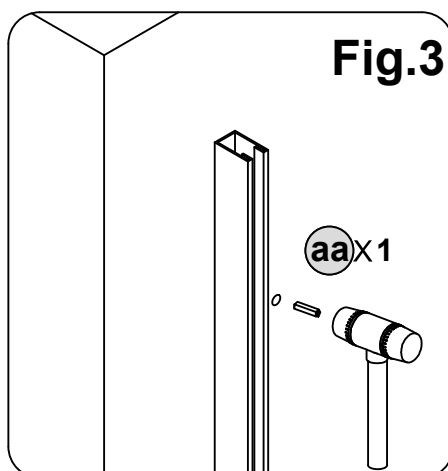
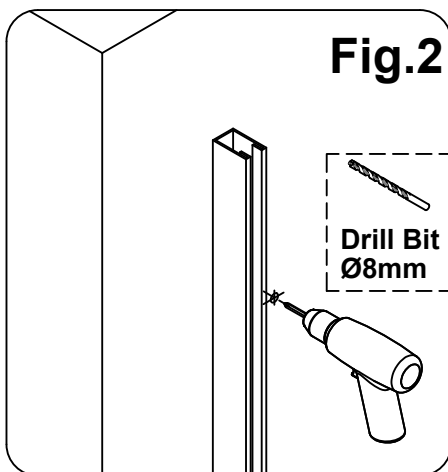
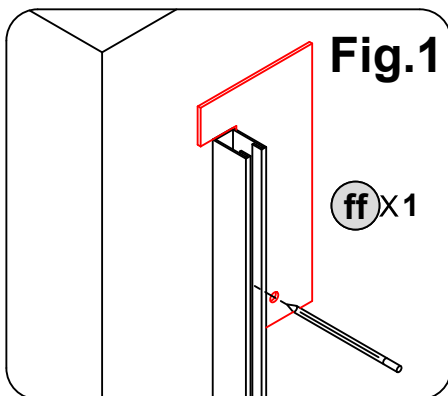
1. Remove the **Wall Channel (F)** and drill $\text{\O}6\text{mm}$ holes at marked positions.
2. Insert **expansion anchors (cc)** into the holes using a soft head hammer.
3. Secure the **Wall Channel (F)** to the wall with **ST4x30mm flat head screws (dd)**. Maintain vertical alignment.



3 Install **Guide Rail Brackets (A)**

NOTE

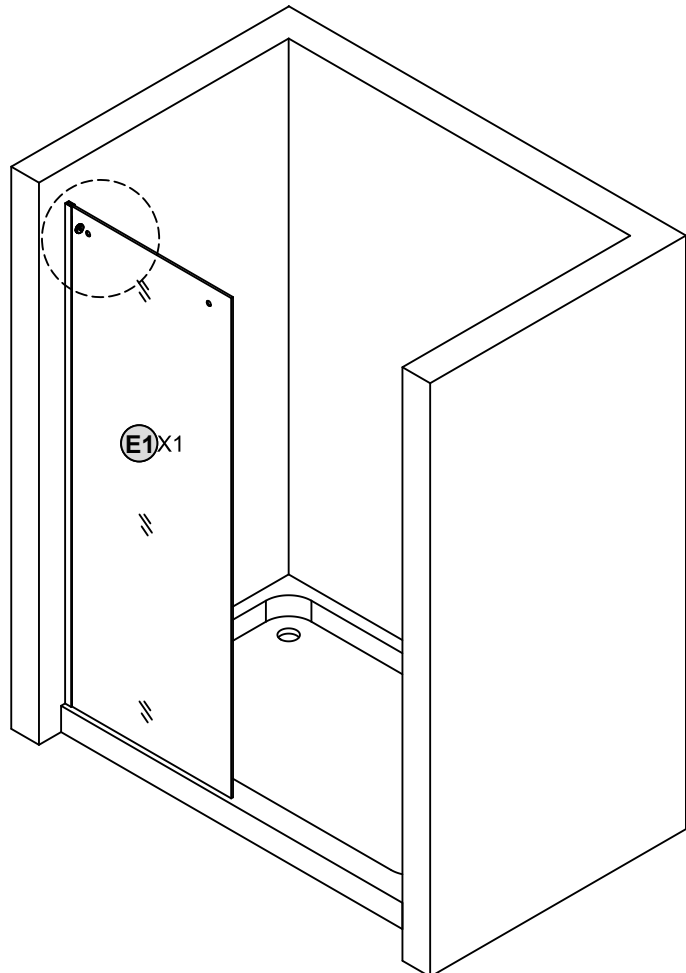
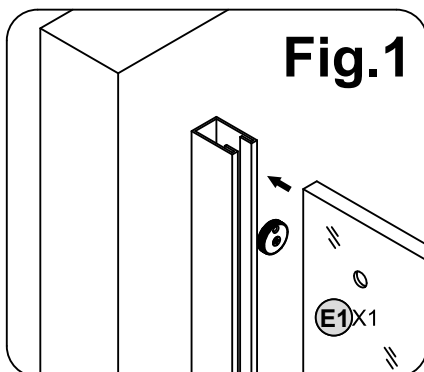
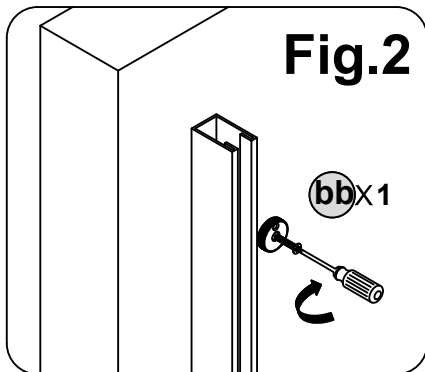
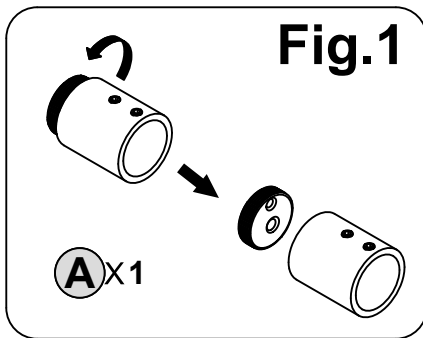
1. Place the **Guide Rail Bracket Locator (ff)** on top of the **Wall Channel (F)**, aligning the edges. Mark drill holes.
2. Drill $\text{\O}8\text{mm}$ holes at marked positions.
3. Insert $\text{\O}8\text{x}38\text{mm}$ **expansion anchors (aa)** into the holes.



4 Install **Guide Rail Brackets (A) & Fixed Panel (E1)**

NOTE

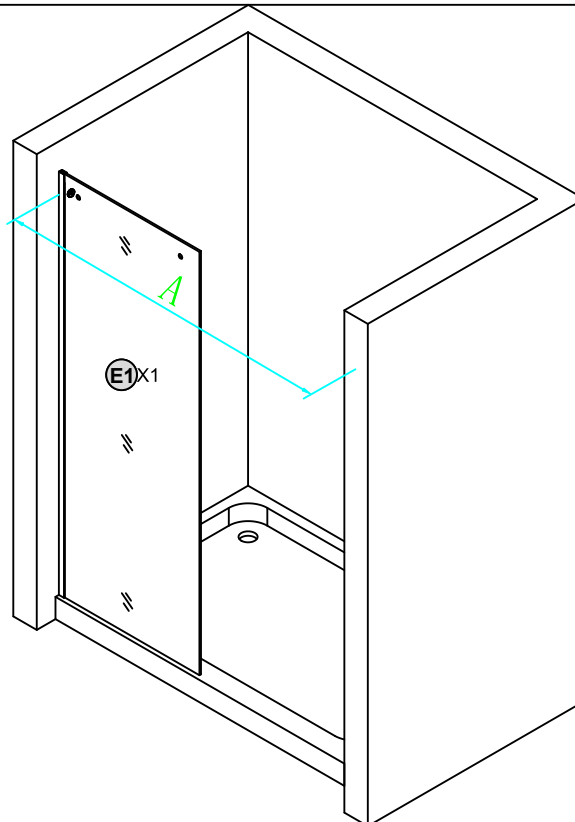
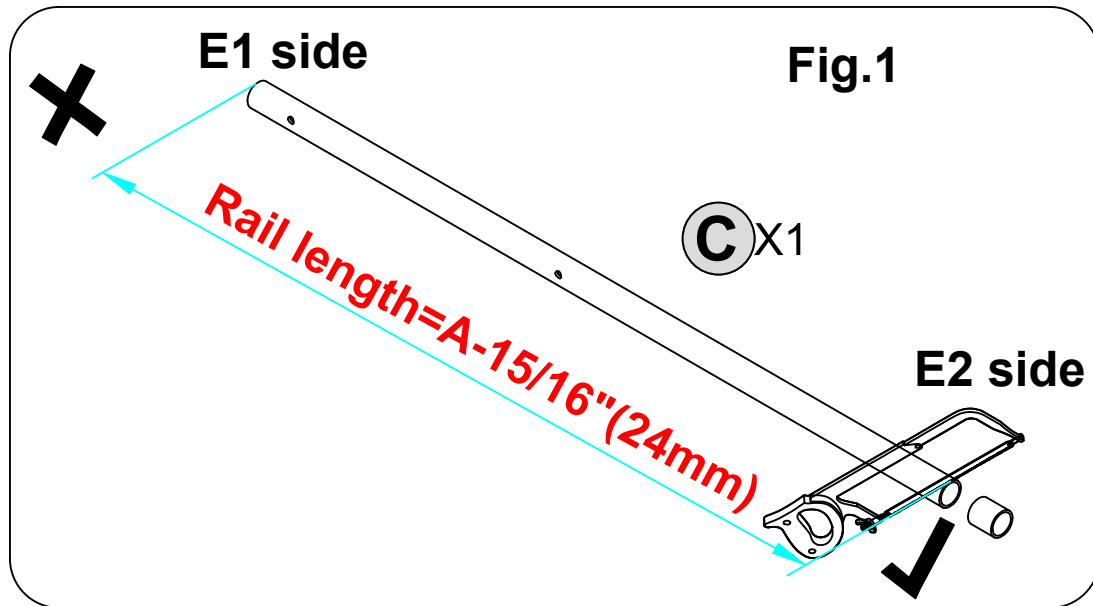
1. Unscrew out the **Guide Rail Bracket (A)** base.
2. Attach the **Guide Rail Bracket (A)** base to the wall using ST5x40mm **flat head self-tapping screws (bb)**.
3. Lift the **Fixed Panel (E1)** and clip it into the **Wall Channel (F)**.



5 Trim **Guide Rail (C)**

NOTE

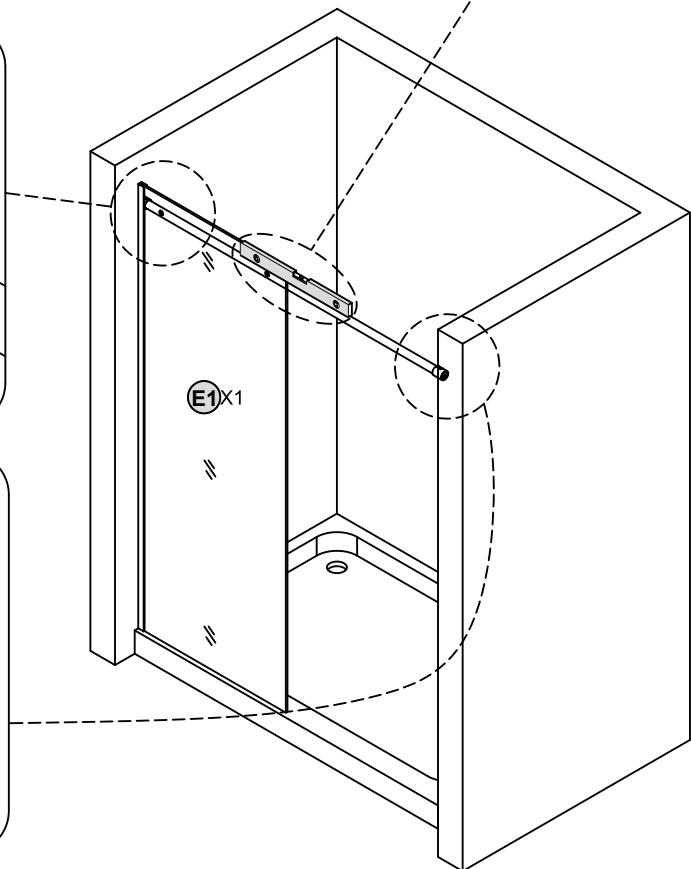
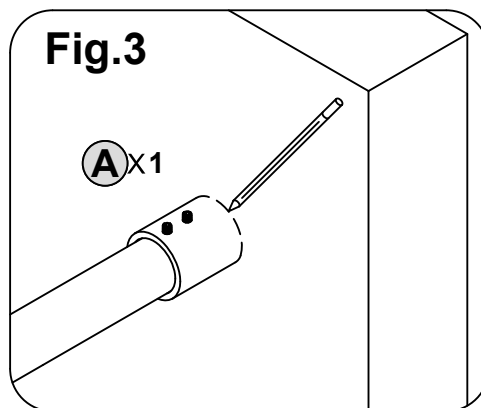
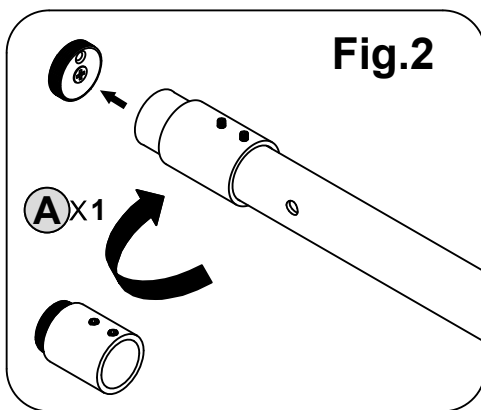
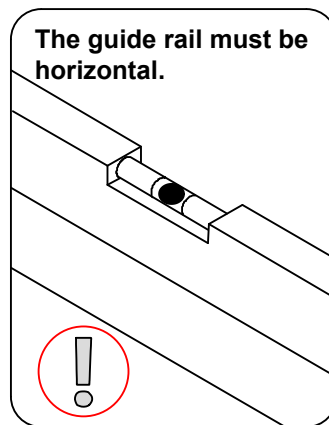
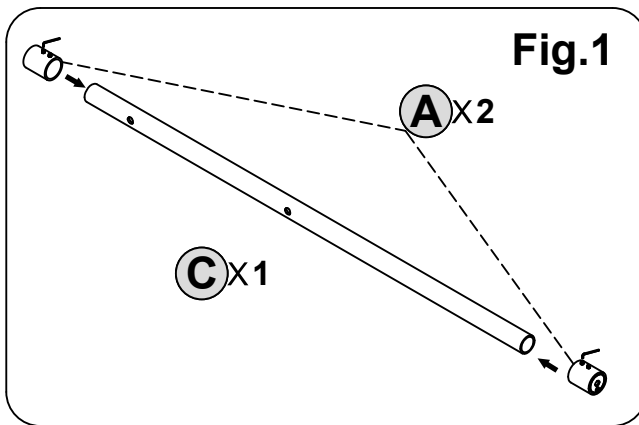
Measure and cut the excess length of the **Guide Rail (C)**. (Note: Trim only the **Sliding Panel (E2)** side. Do not cut the **Fixed Panel (E1)** side.)



6 Attach **Guide Rail Brackets (A)**

NOTE

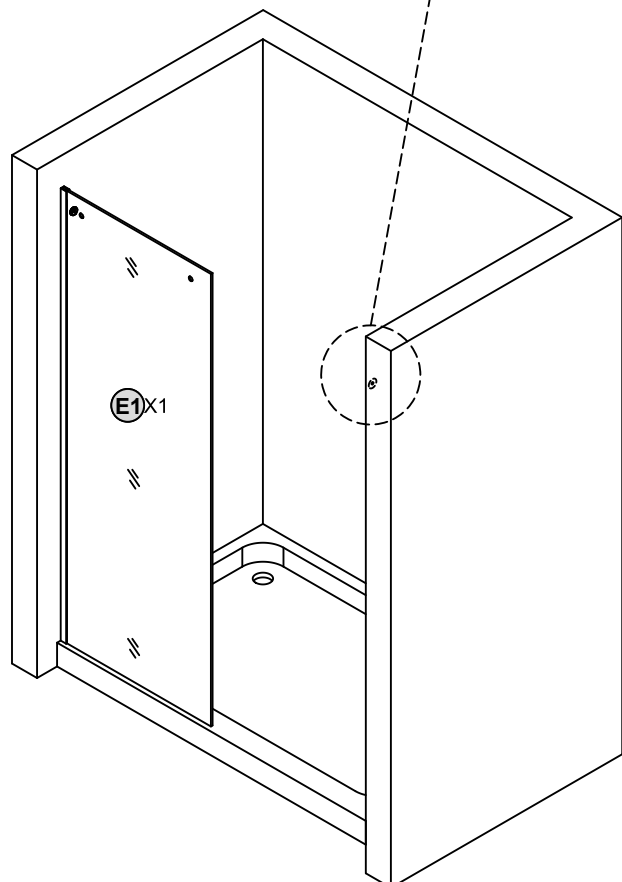
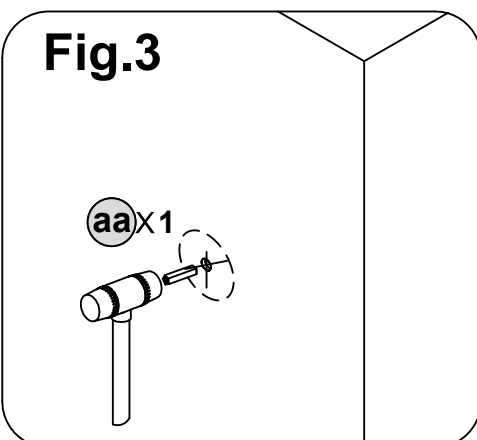
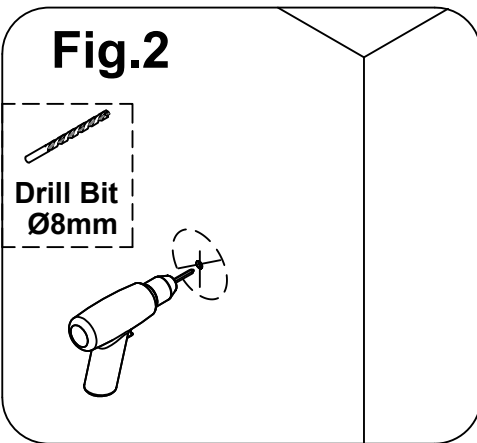
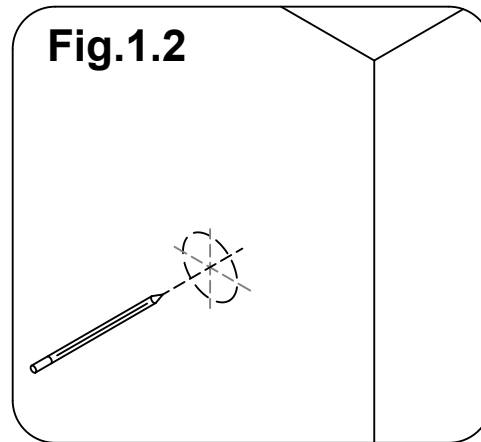
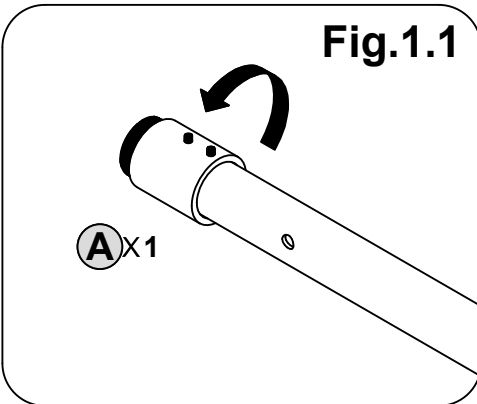
1. Loosen the set screws on the **Guide Rail Brackets (A)** using a hex key. Slide the brackets onto the **Guide Rail (C)**.
2. Secure one end of **Guide Rail Brackets (A)** to the wall-mounted bracket base.
3. Level the **Guide Rail (C)** and mark alignment positions on the other end of bracket outer edge.



7 Guide Rail Brackets (A) Installation

NOTE

1. Loosen and remove the **Guide Rail Brackets (A)** and **Guide Rail (C)** assembly. Mark center positions of the mark of bracket on the wall.
2. Drill $\varnothing 8\text{mm}$ holes .
3. Insert **expansion anchors (aa)** using soft head hammer.



8

Secure **Guide Rail Brackets (A)**' s base

NOTE

1. Unscrew out the **Guide Rail Brackets (A)** base.
2. Attach the **Guide Rail Brackets (A)** base to the wall using **ST5x40mm flat head self-tapping screws (bb)**.

Fig.1

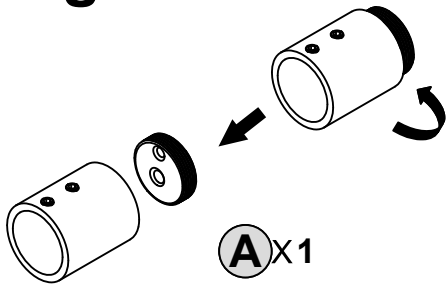
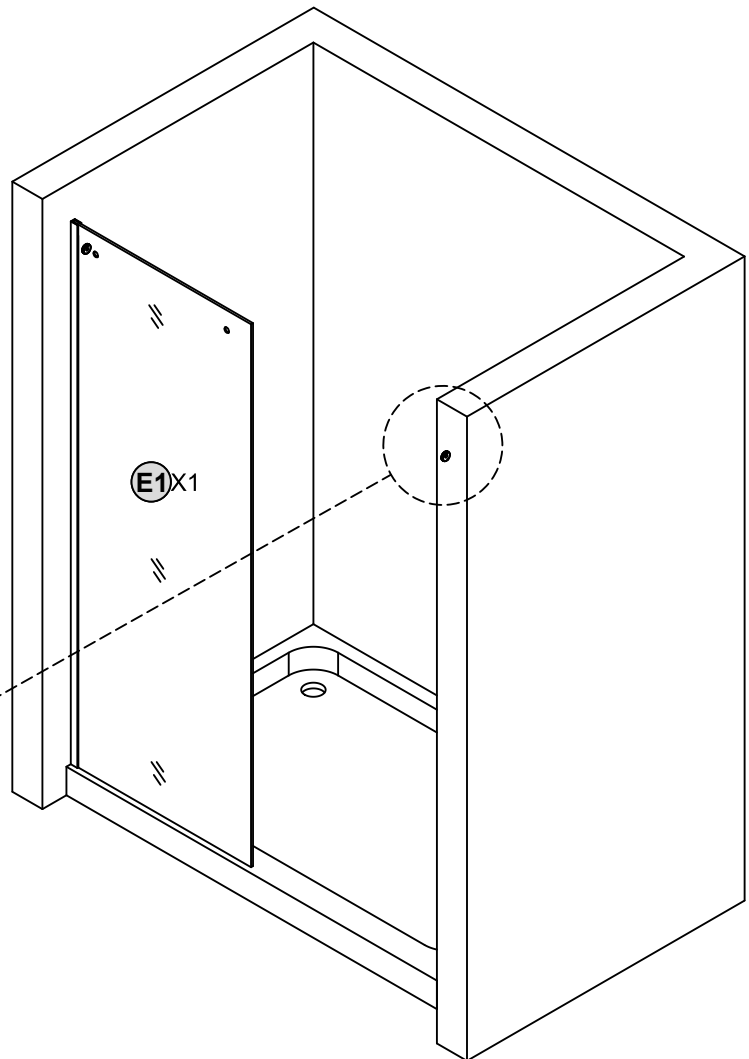
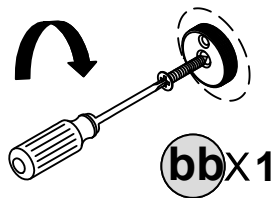


Fig.2



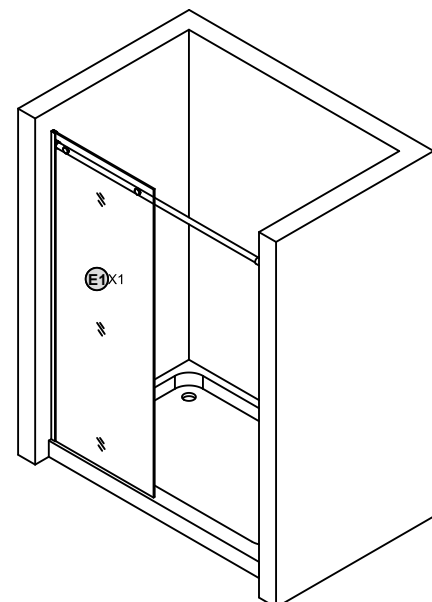
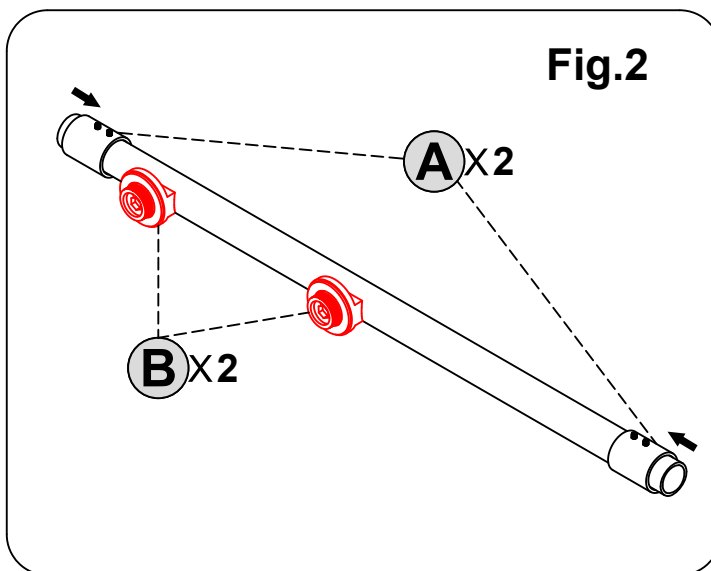
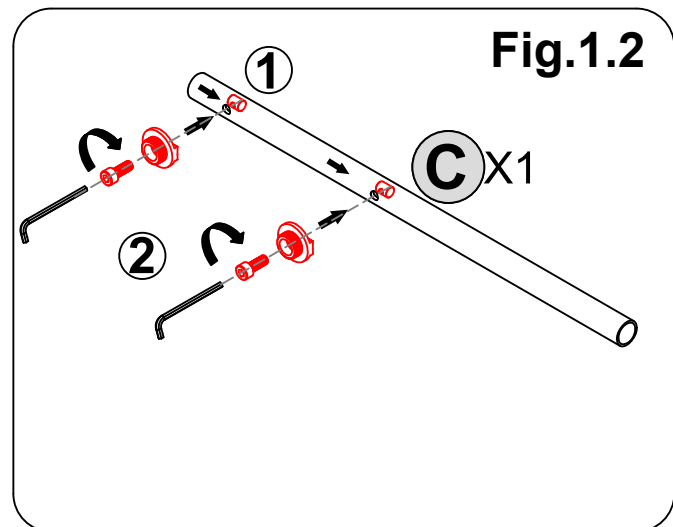
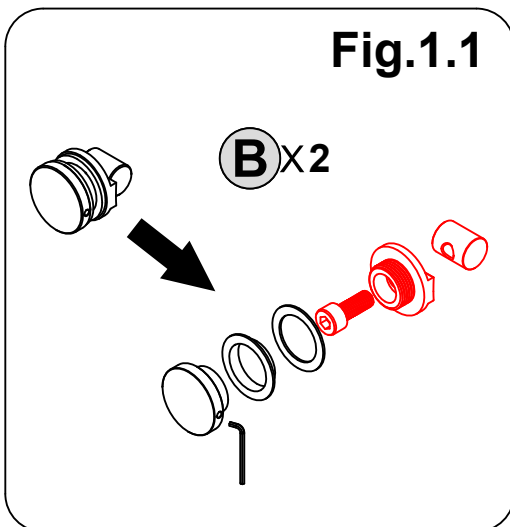
9 Install **Glass Railing Stabilizers (B)**

NOTE

1. Loosen the **Glass Railing Stabilizers (B)** screws with a hex key and divide it. Insert the **Glass Railing Stabilizers (B)** into the **Guide Rail (C)** and tighten using a hex key.
2. Slide the **Guide Rail Brackets (A)** onto the **Guide Rail (C)**. Note: For right-side fixed panel installation, refer to Page 15.)

Option 1

When **Fixed Panel (E1)** is install at left side

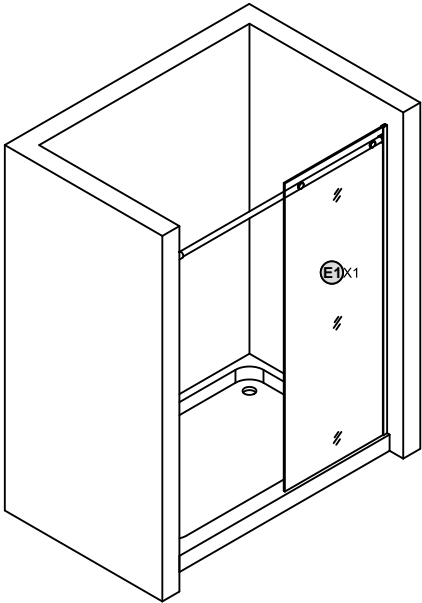
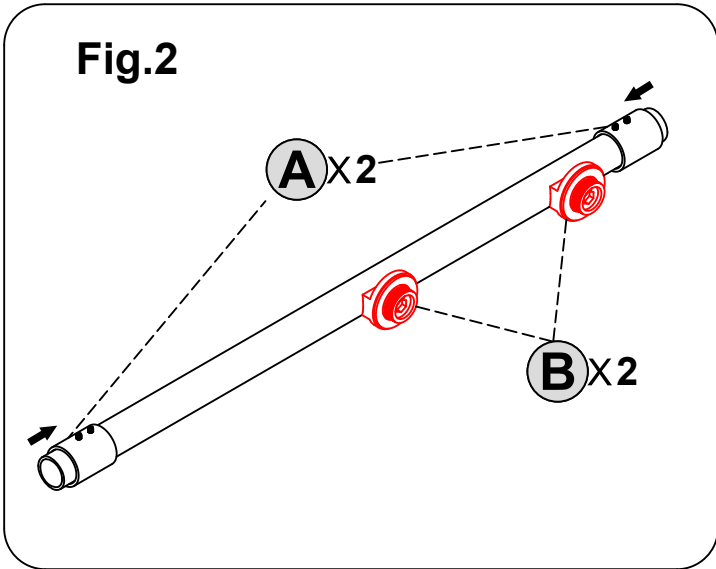
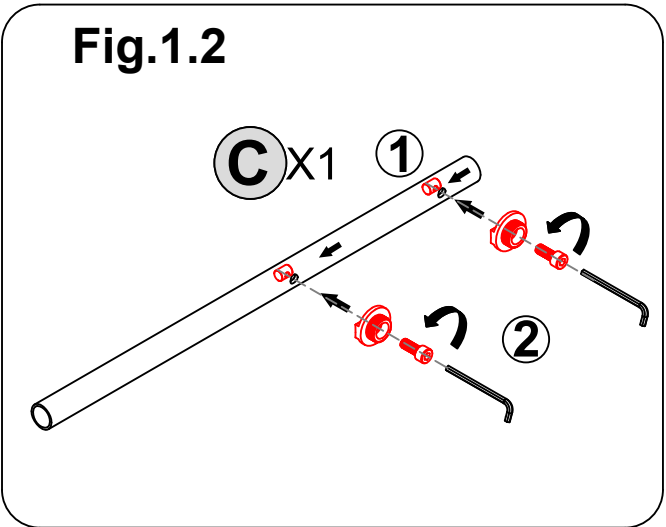
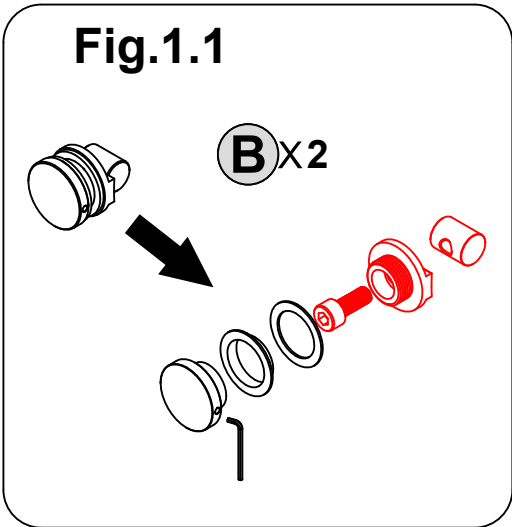


10 Install **Glass Railing Stabilizers (B)**

NOTE

1. Loosen the **Glass Railing Stabilizers (B)** screws with a hex key and divide it. Insert the **Glass Railing Stabilizers (B)** into the **Guide Rail (C)** and tighten using a hex key.
2. Slide the **Guide Rail Brackets (A)** onto the **Guide Rail (C)**. (Note: For left-side fixed panel installation, refer to Page 14.)

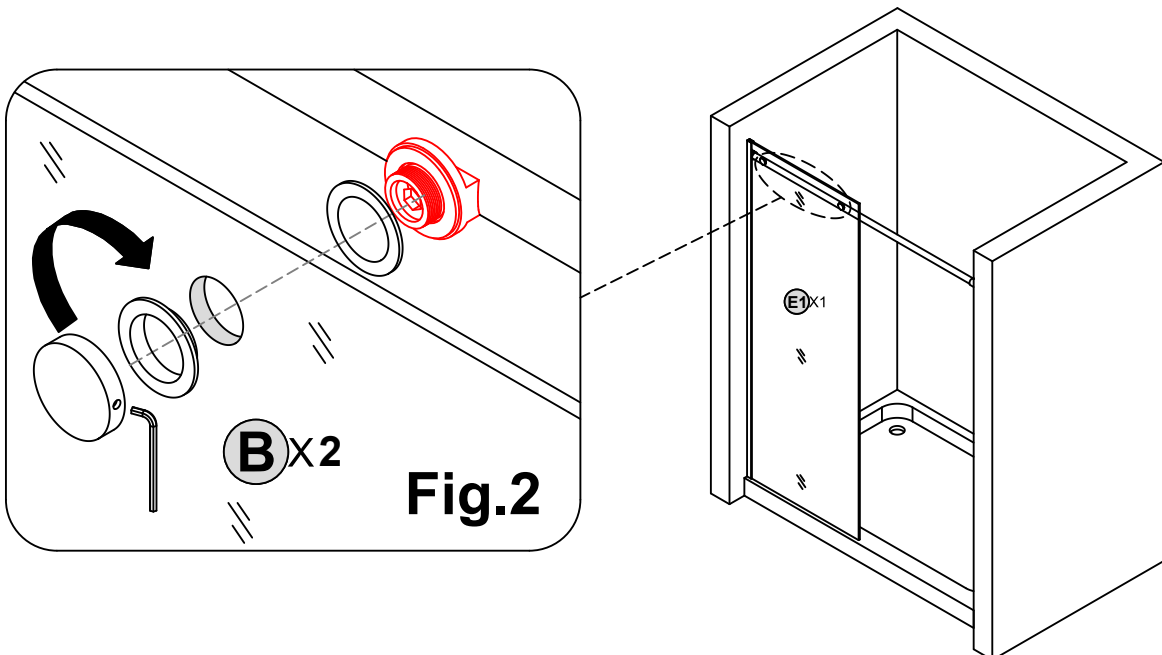
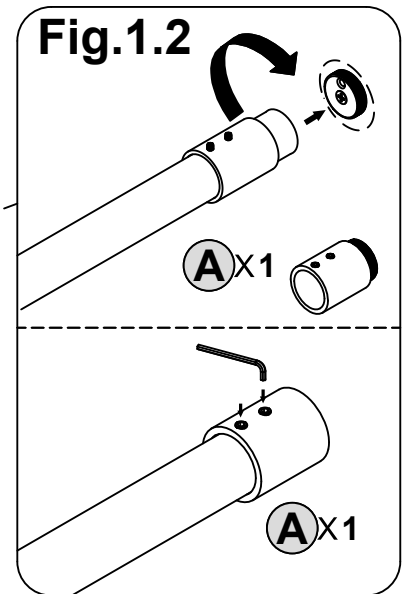
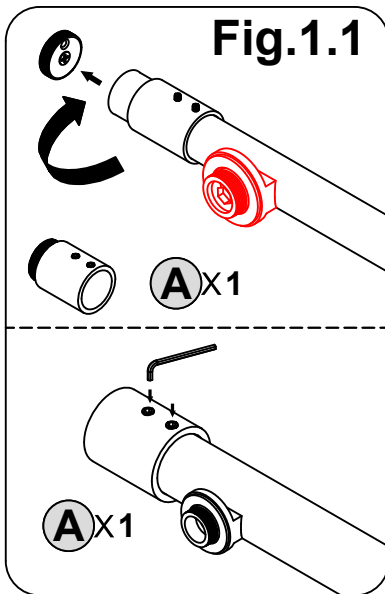
Option 2 When **Fixed Panel (E1)** is install at right side



11 Secure **Guide Rail (C)**

NOTE

1. Slide the **Guide Rail Brackets (A)** onto the both ends of the **Guide Rail (C)**, then tighten the **Guide Rail Brackets (A)** with the base on the wall with a hex key.
2. Align the **Glass Railing Stabilizers (B)** with the **Fixed Panel (E1)** holes. Secure with caps and tighten.

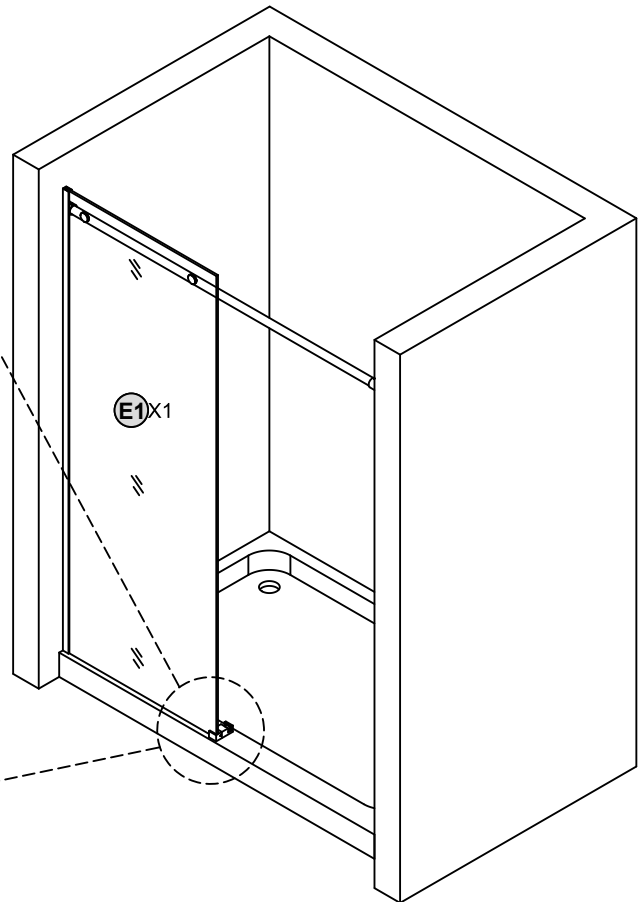
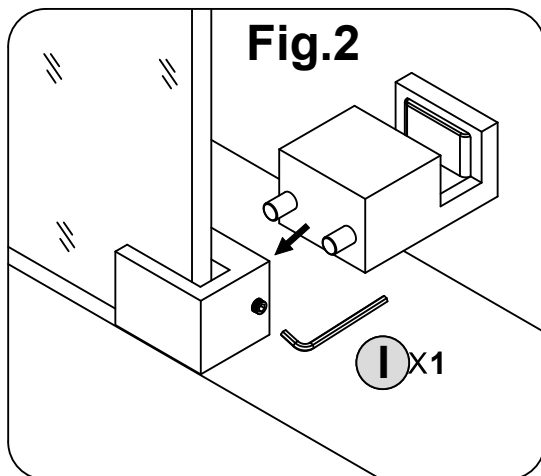
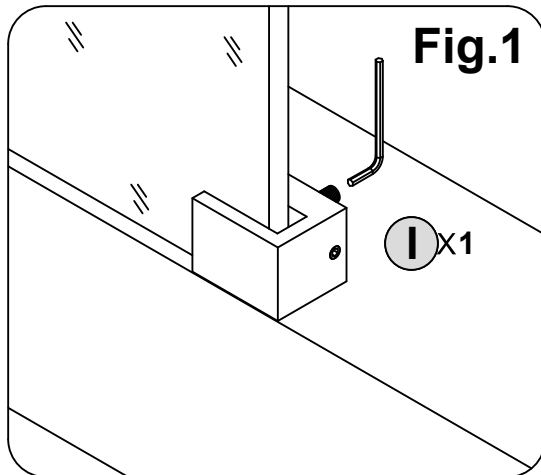


12 Install **Bottom Guide Block (I)**

NOTE

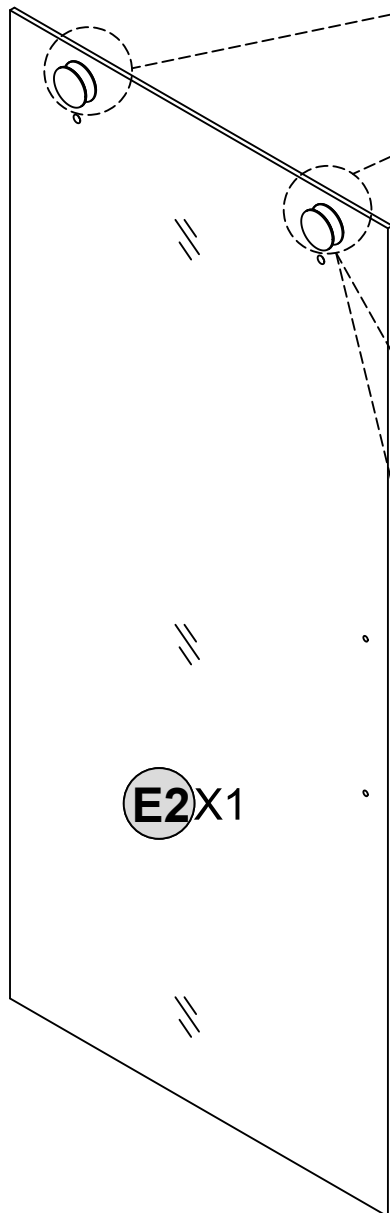
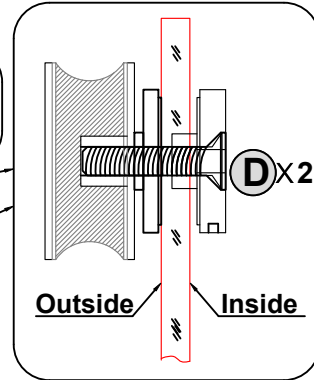
1. Loosen the set screw on the **Bottom Guide Block (I)** and separate its components.

2. Attach the fixed part to the **Fixed Panel (E1)** and tighten the set screw. Insert the sliding door portion of **Bottom Guide Block (I)** into the fixed block and tighten.

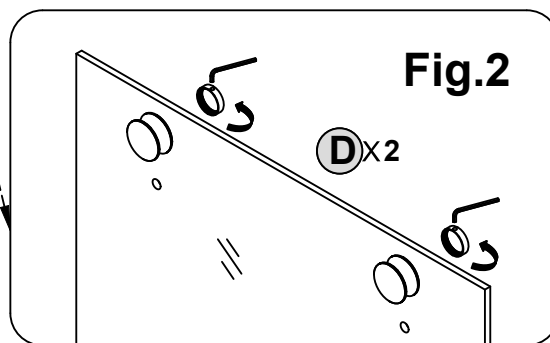
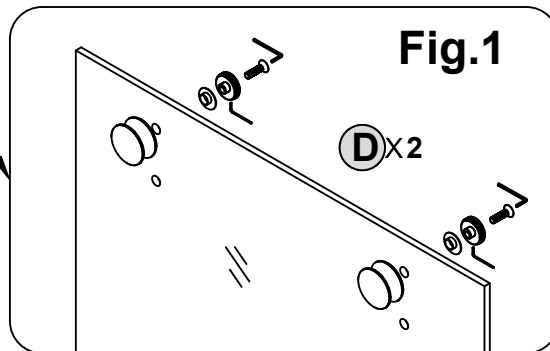


13 Attach **Rollers (D)** on the **Sliding Panel (E2)**

NOTE The roller should face outward

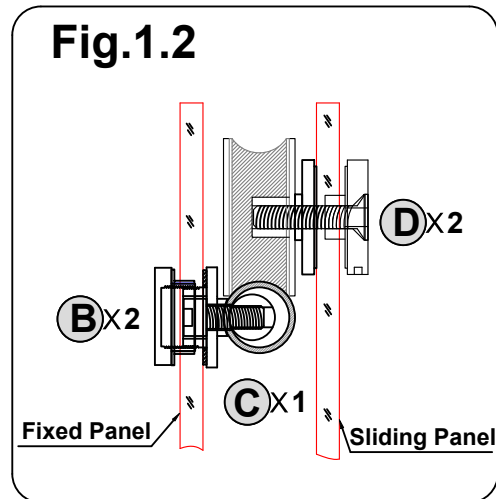
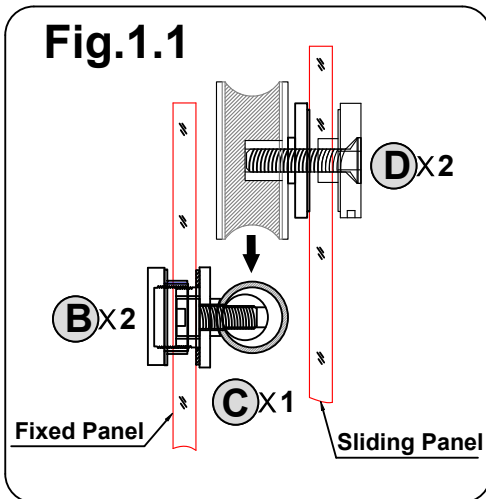


1. Insert rubber bushings into the **Sliding Panel (E2)** holes. Secure **Rollers (D)** with flat head screws.
2. Tighten **Rollers (D)** caps with a hex key.

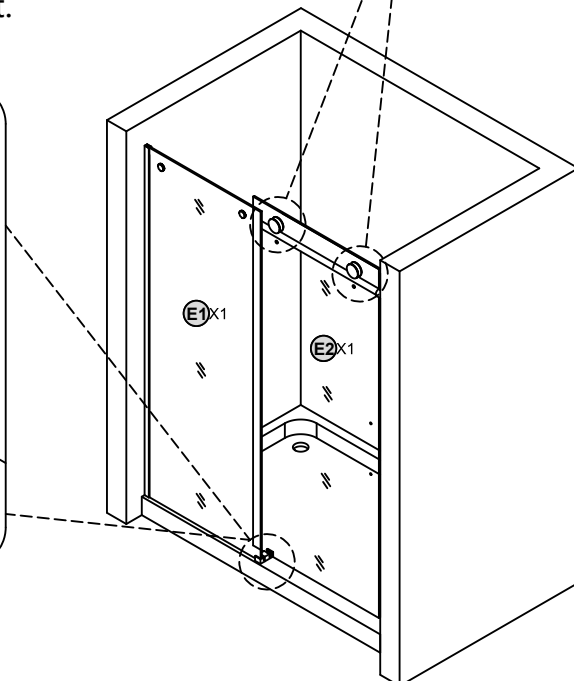
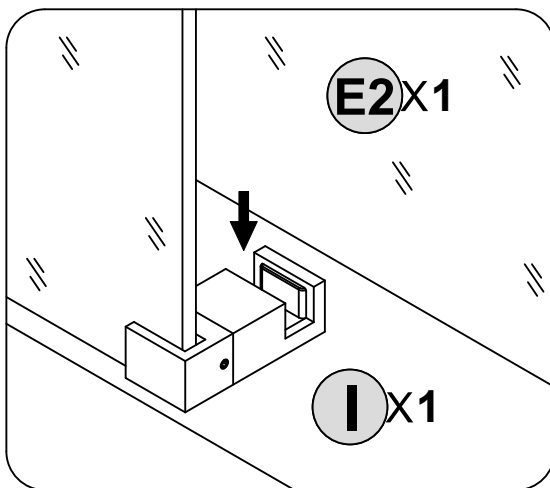


14 Install **Sliding Panel (E2)**

NOTE 1. Lift the **Sliding Panel (E2)** and slide the **Rollers (D)** slot onto the **Guide Rail (C)**.



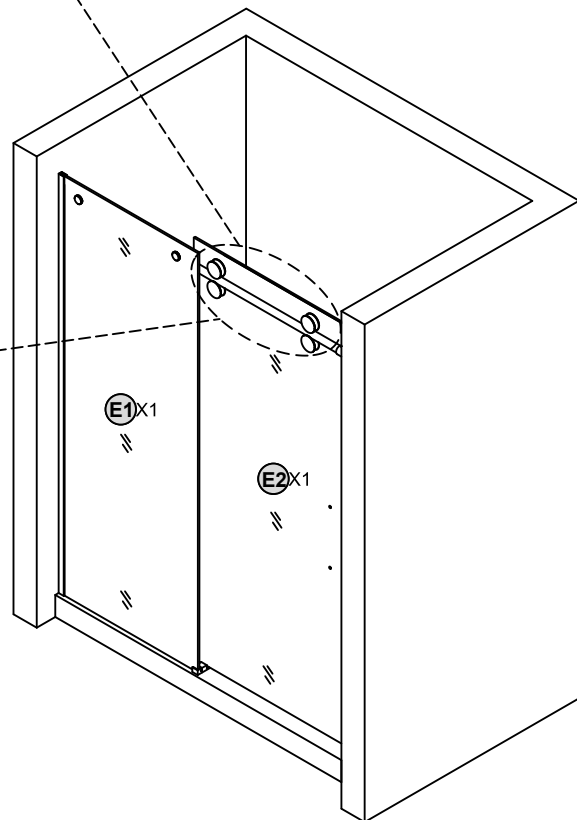
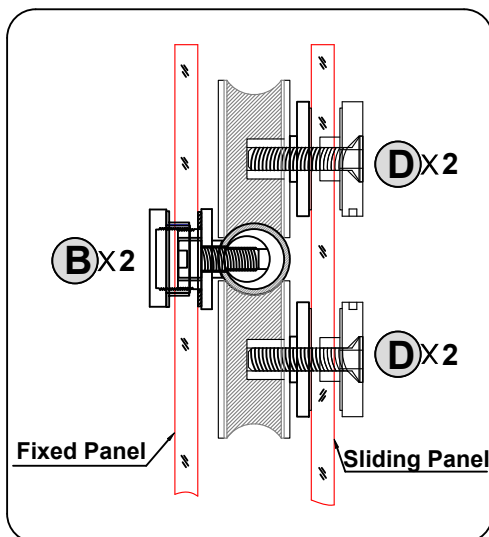
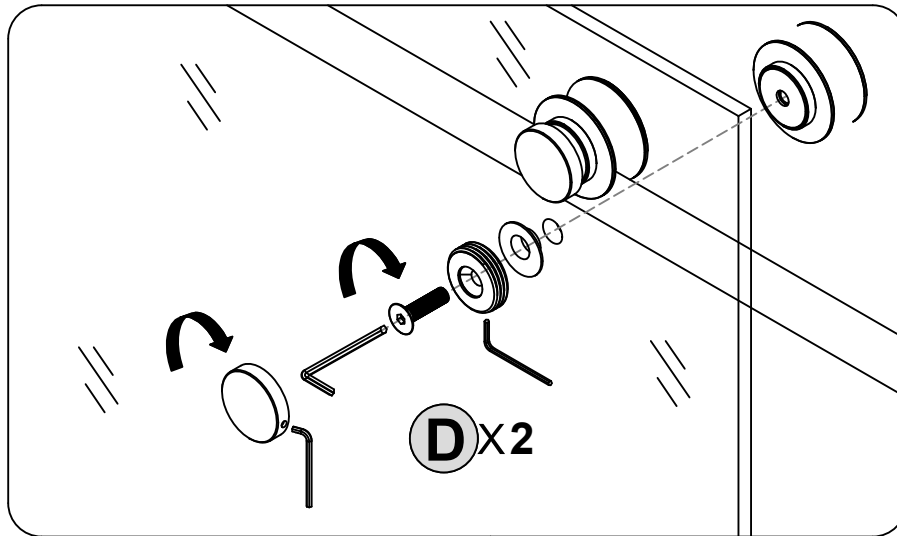
2. Clip the bottom of **Sliding Panel (E2)** into the **Bottom Guide Block (I)** slot.



15 Attach **Rollers (D)**

NOTE

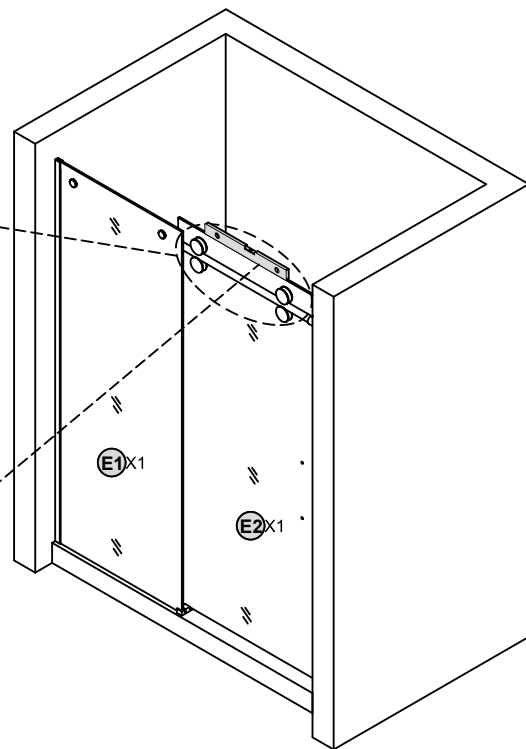
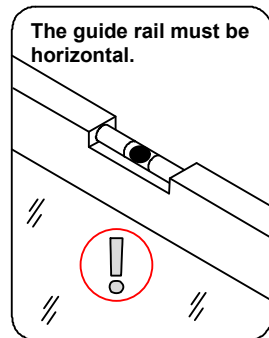
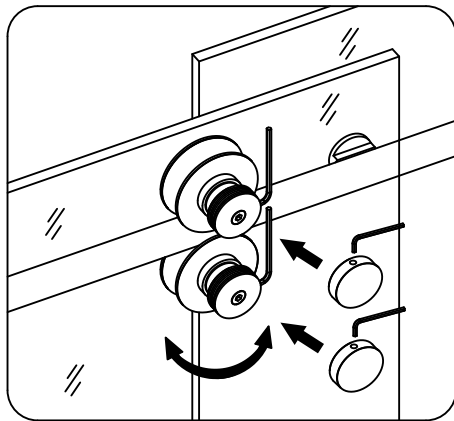
Press the rubber sleeves and the threaded sleeves into the holes on the **Sliding Panel (E2)**, secure the **Roller (D)** on the **Sliding Panel (E2)** with flat-head screws and tighten the caps with a hex key.



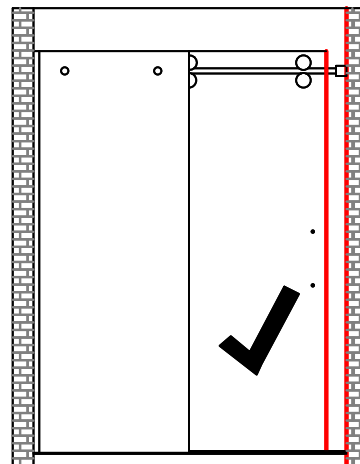
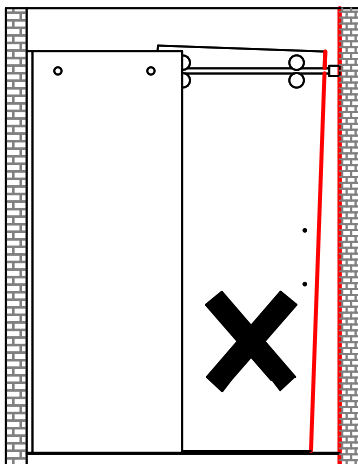
16 Adjust **Sliding Panel (E2)** height

NOTE

Adjust the **Rollors (D)** to the correct height to ensure that the **Sliding Panel (E2)** slides smoothly and that the edge of the **Sliding Panel (E2)** against the wall is parallel to the wall by adjusting the height of the **Rollors (D)** to close the door in a sealed position, then fix the **Rollors (D)** cover.



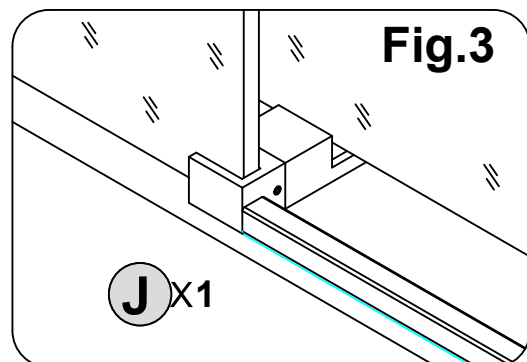
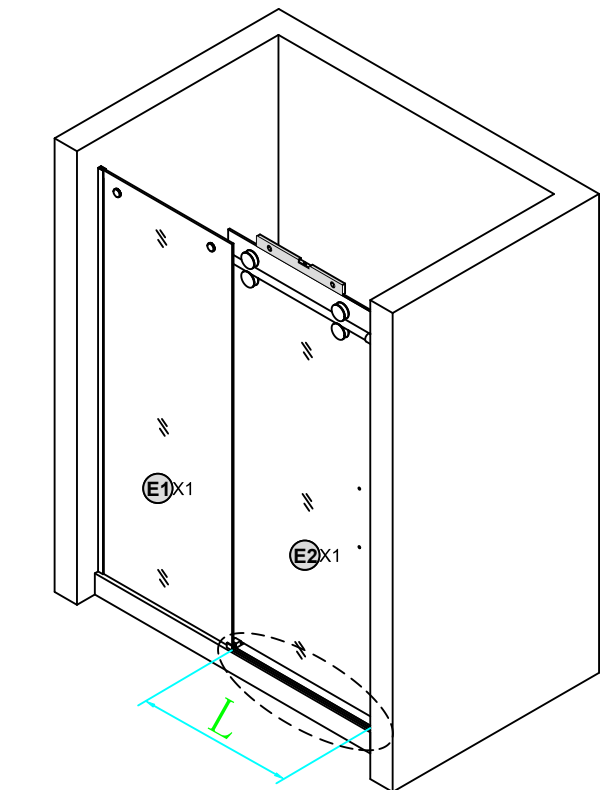
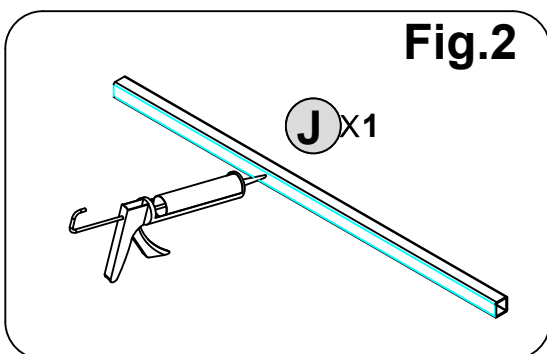
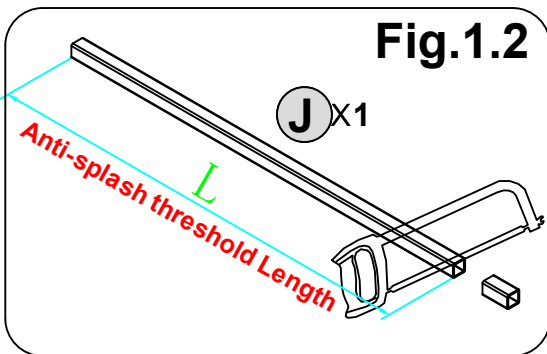
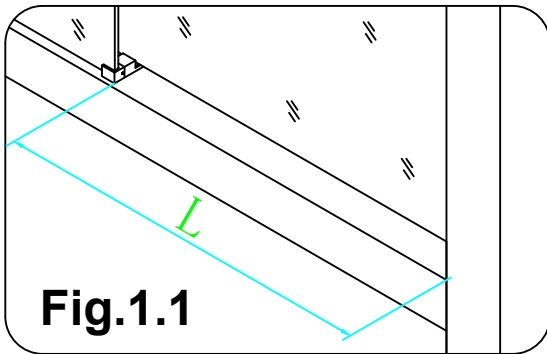
NOTE



17 Install **Threshold Water Dam (J)**

NOTE

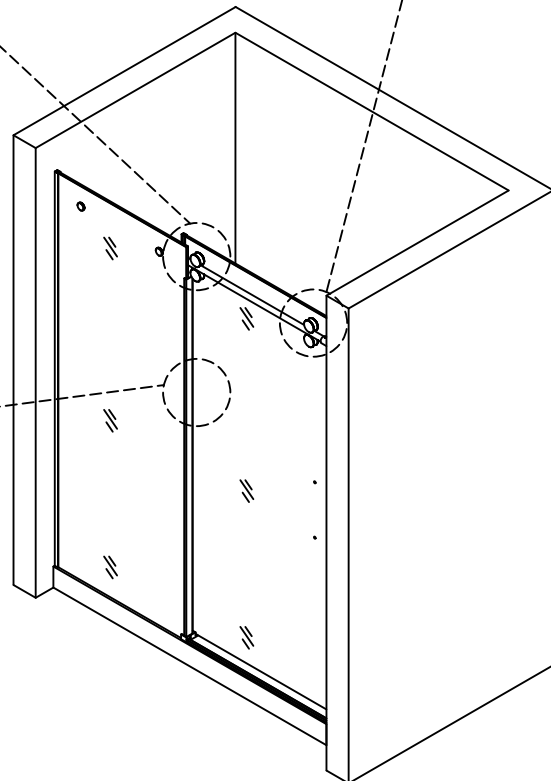
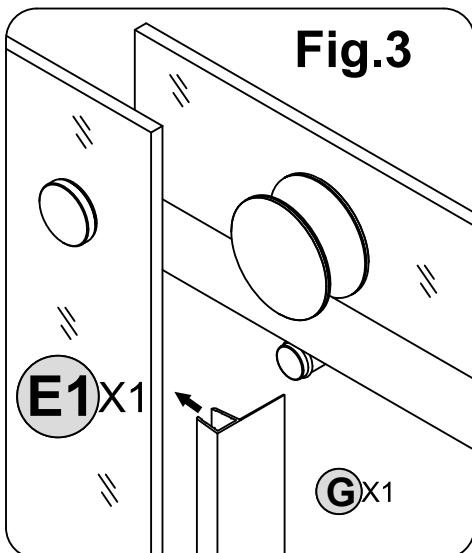
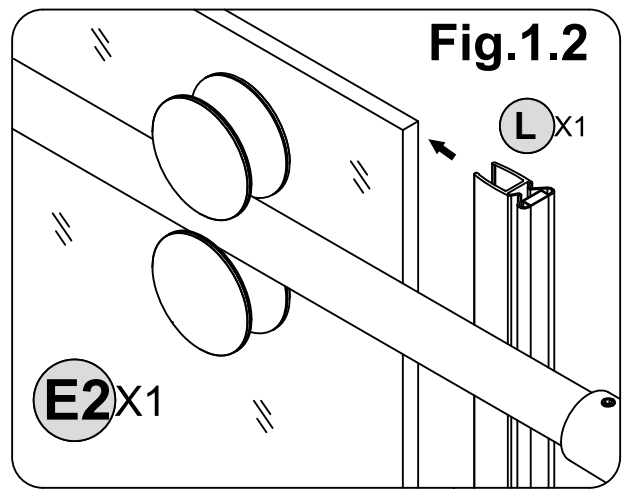
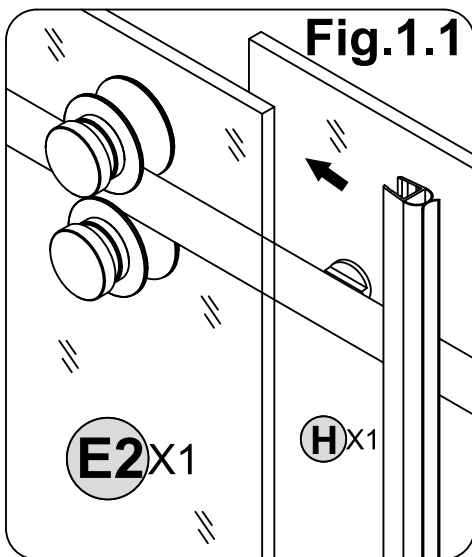
1. Measure and cut the **Threshold Water Dam (J)** to size.
2. Apply silicone sealant to the bottom of the **Threshold Water Dam (J)**.
3. Install it flush with the **Bottom Guide Block (I)**.



18 Apply **Seal Strips(H&L&G)**

NOTE

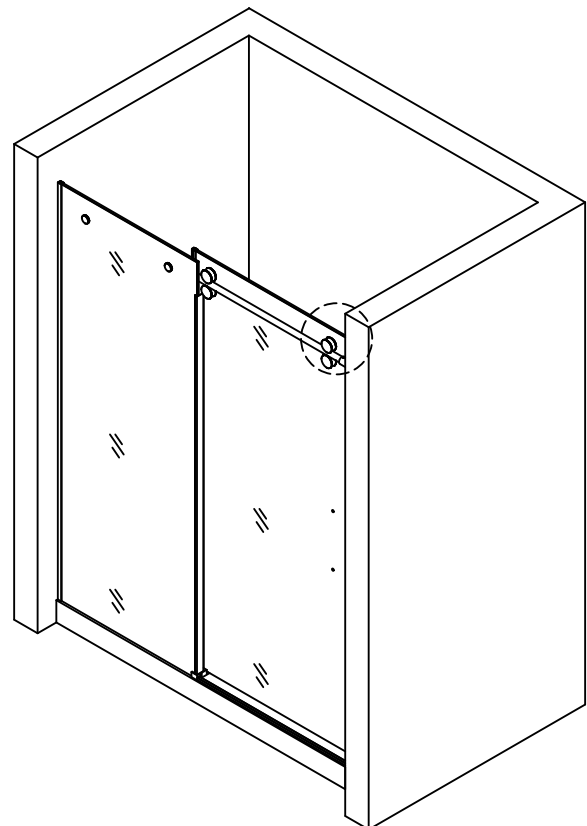
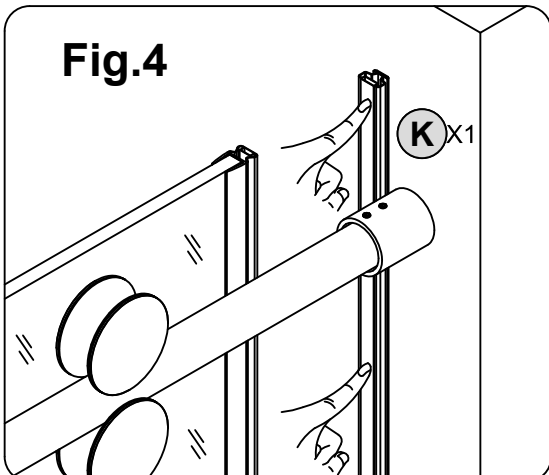
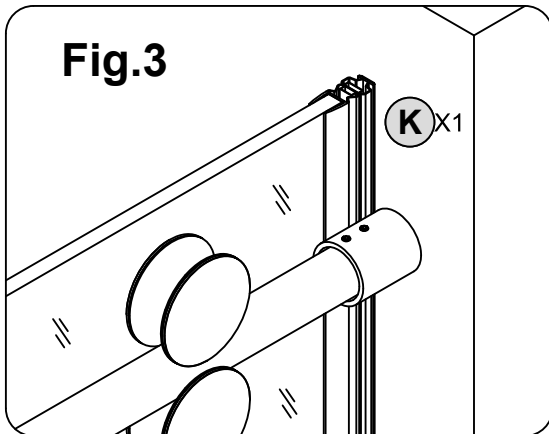
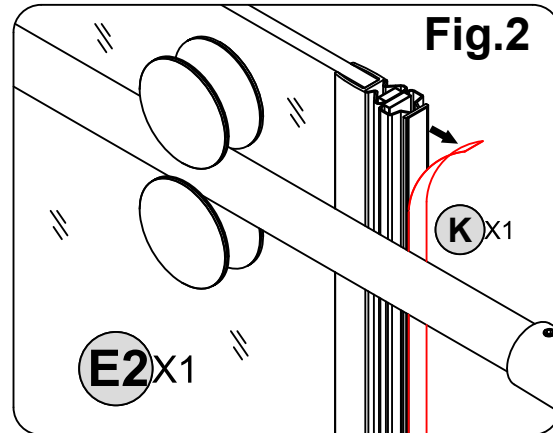
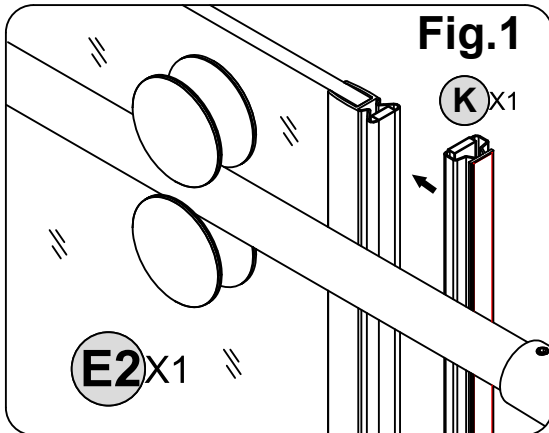
1. Install the **Door Side Seal Strip (H)** and **Door Magnetic Seal Strip (L)** on the **Sliding Panel (E2)**.
2. Attach the **Fixed Side Seal Strip (G)** to the **Fixed Panel (E1)**.



19 Mount Wall Magnetic Seal Strip (K)

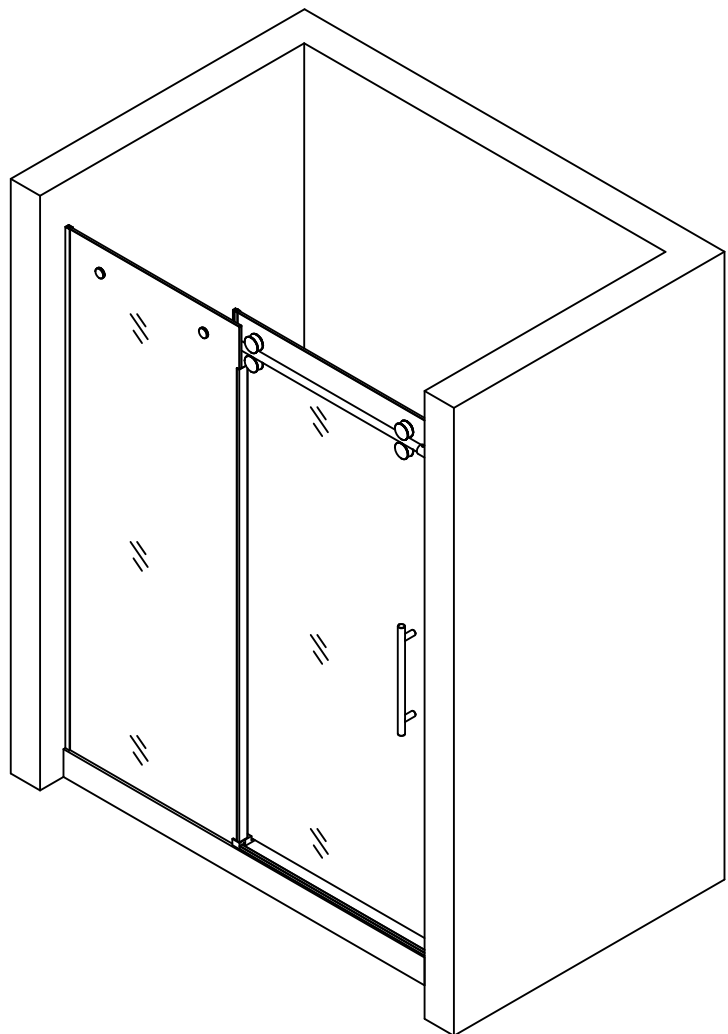
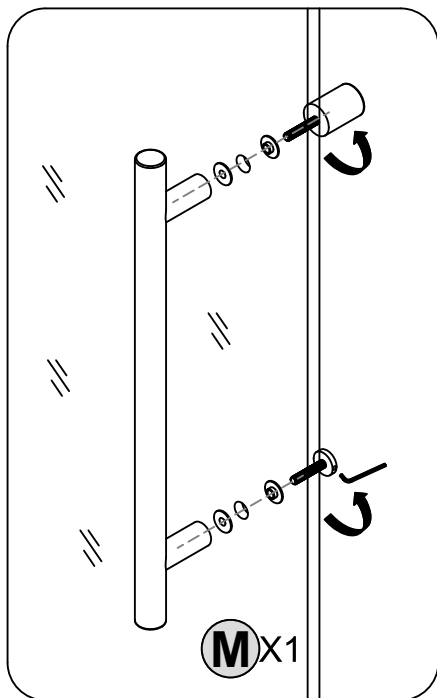
NOTE

1. Stick the **Wall Magnetic Seal Strip (K)** with the **Door Magnetic Seal Strip (L)** together.
2. Remove 3M backing and push **Door Magnetic Seal Strip (L)** to the wall.
3. Push back the **Sliding Panel (E2)**, press firmly **Door Magnetic Seal Strip (L)** to the wall with hand.



20 Attach **Handle (M)****NOTE**

Install the **Handle (M)** on the **Sliding Panel (E2)** using provided plastic washers to protect the glass.



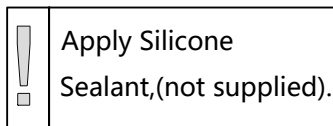
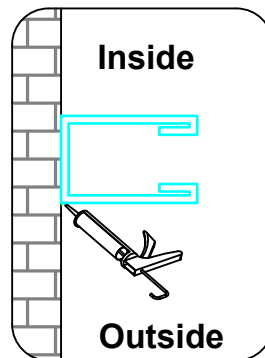
21 SEALING

NOTE The surfaces need to be clean and free of debris before applying silicone.

NOTE Make sure the shower door is tightly closed and opens smoothly. Apply high-quality asbestos sealant along the bottom of the fixed glass and the bottom of the lower water barrier.



Allow 24 hours for the silicone to cure before using the shower.



Apply silicone around the fixed glass and the lower water barrier.

