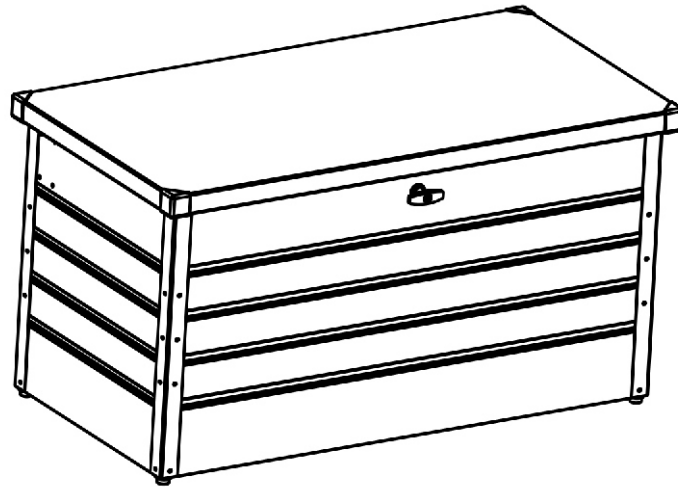



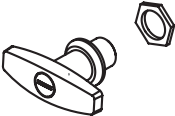
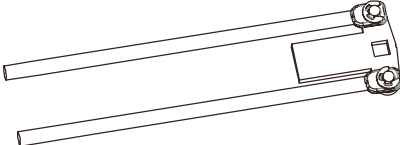









CUSHION BOX













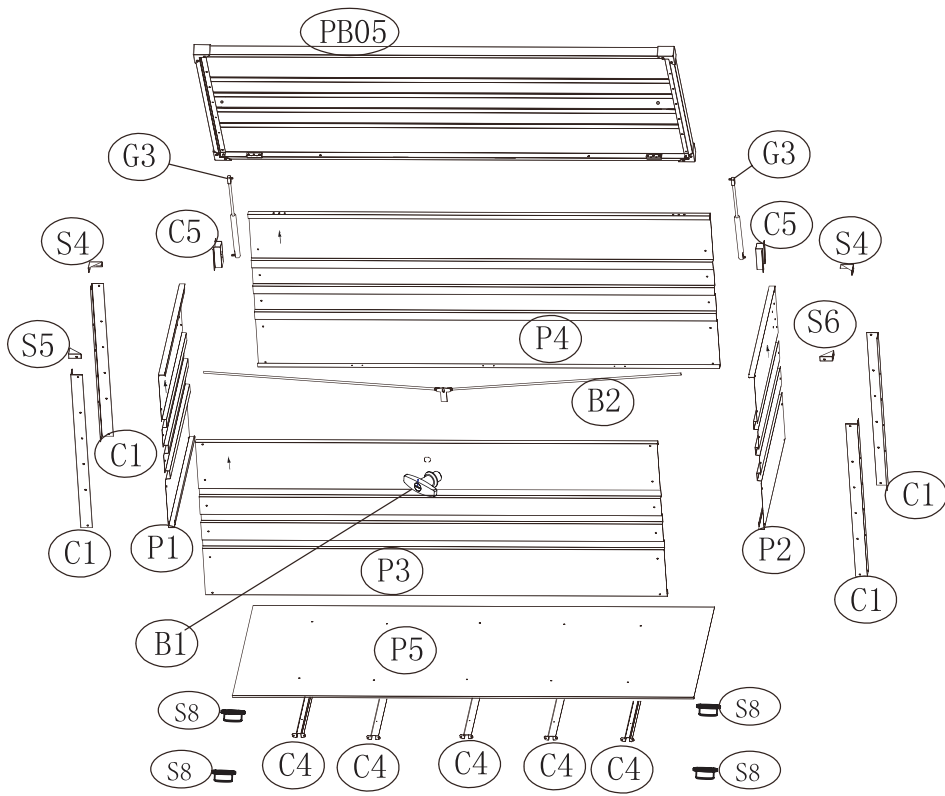
TEIL	NR.	STK.
	C1	4
	C4	5
	C5	2
	B1	1
	B2	1
	G3	2

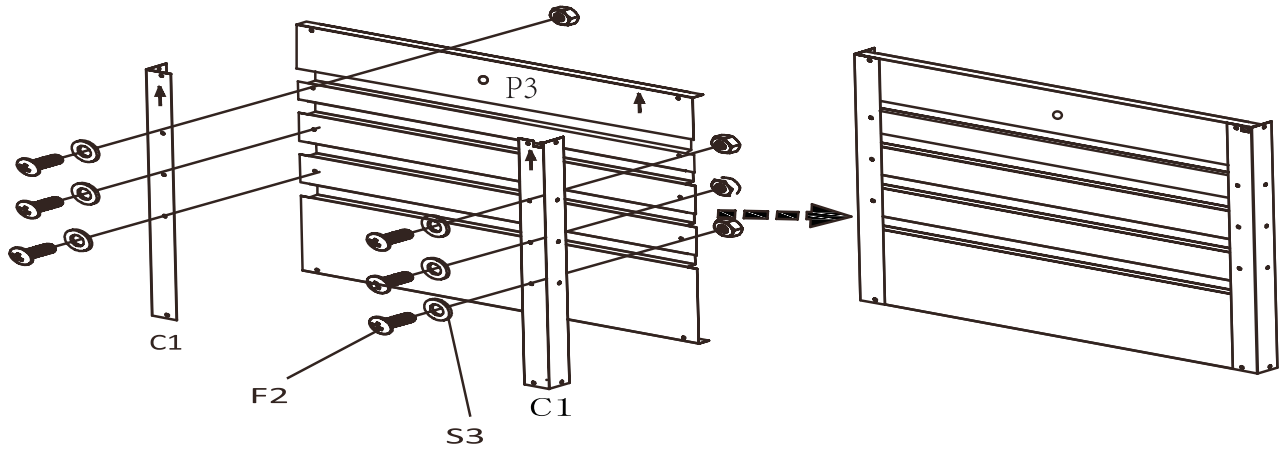


TEIL	NR.	STK.
	PB05	1
	P1	1
	P2	1
	P3	1
	P4	1
	P5	1

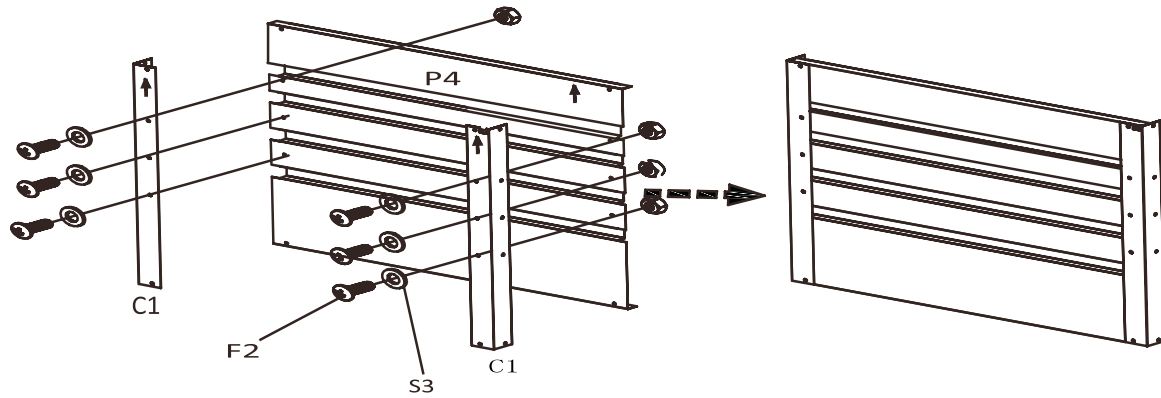


TEIL	NR.	STK.
	S4	2
	S5	1
	S6	1
	F1	46
	F2	38
	S3	50
	F8	4
	S8	4

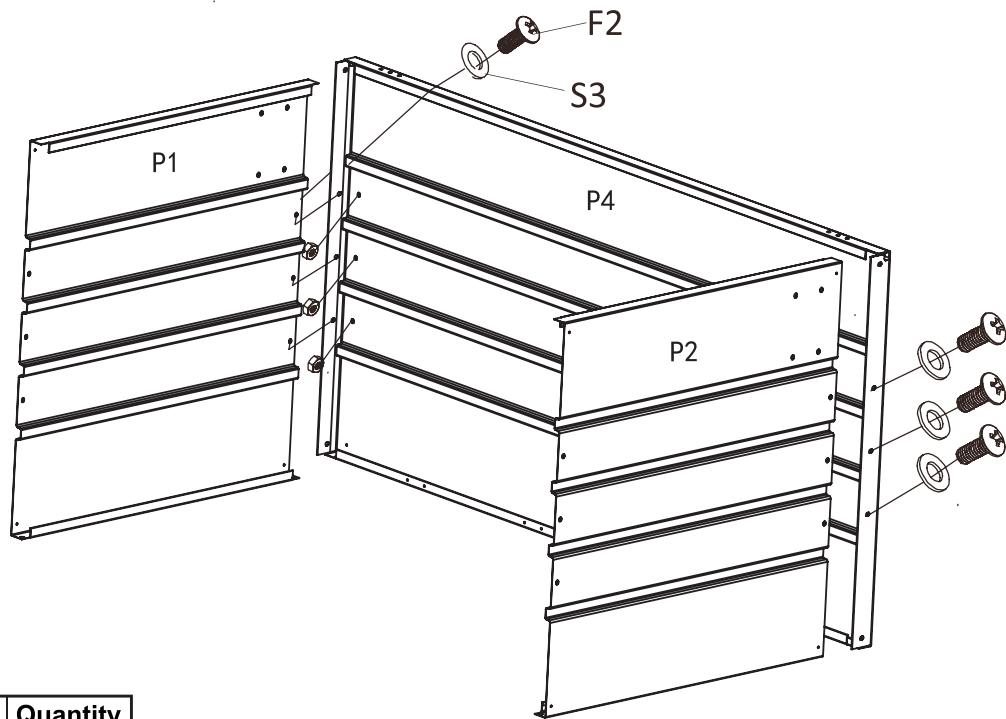




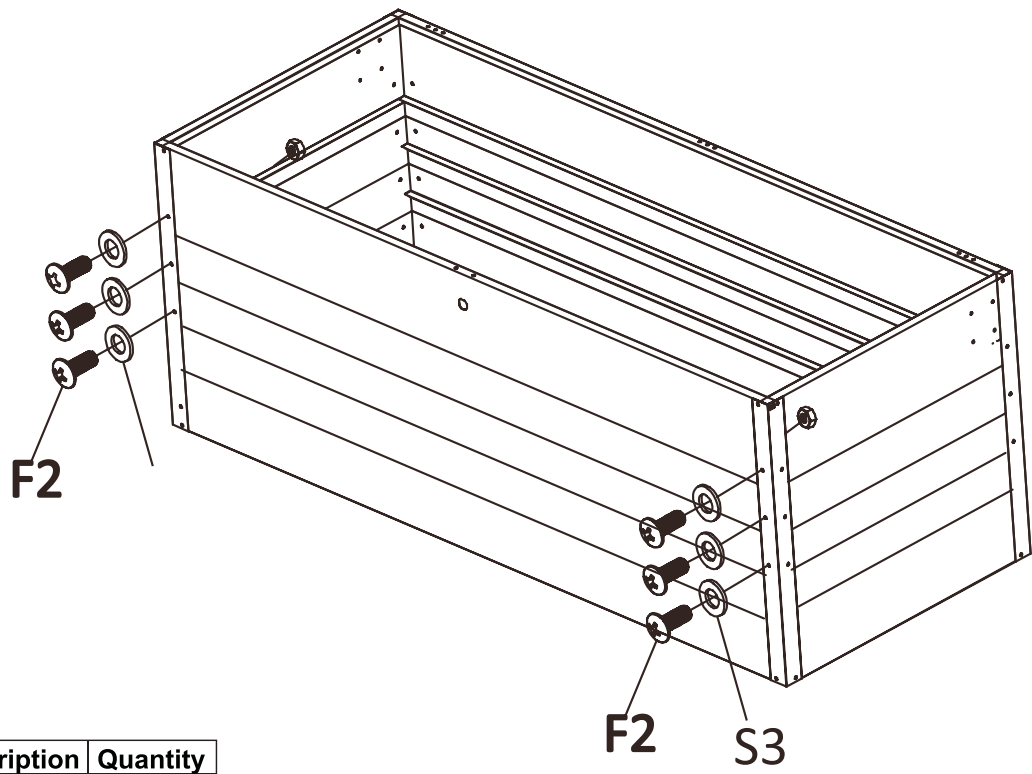
Model	Description	Quantity
C1	Pillar	2
P3	Front Panel	1
F2	M4x10 Bolt	6
S3	Plastic Washer	6



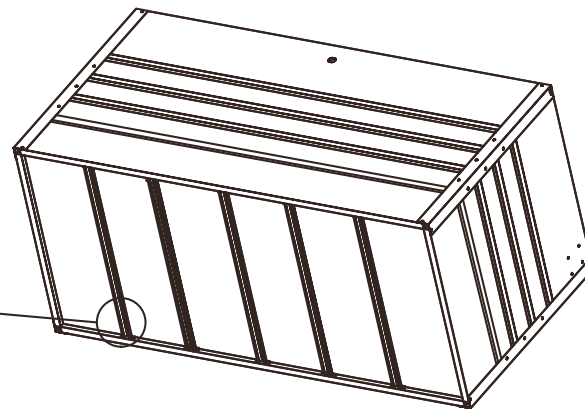
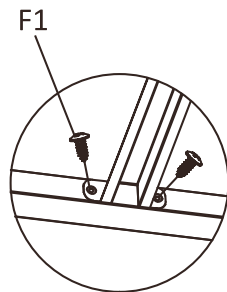
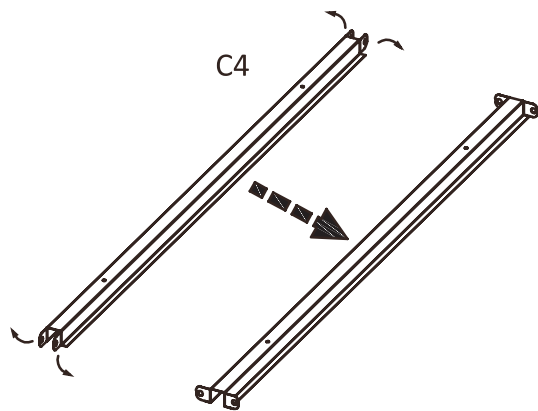
Model	Description	Quantity
C1	Pillar	2
P4	Rear Panel	1
F2	M4x10 Bolt	6
S3	Plastic Washer	6



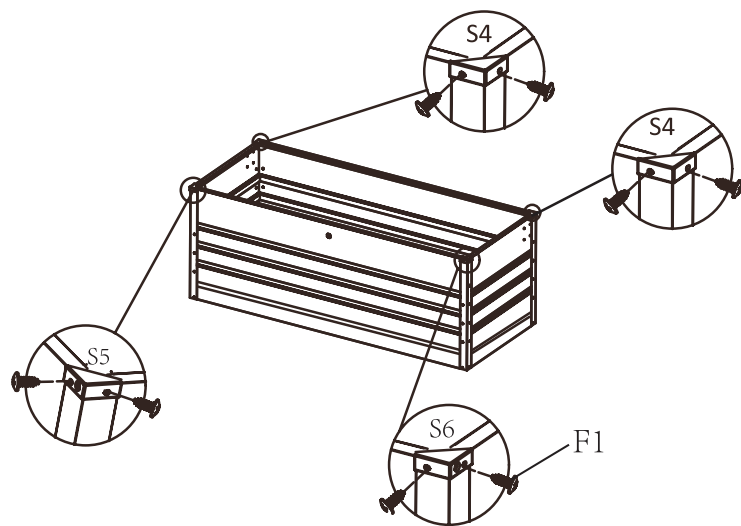
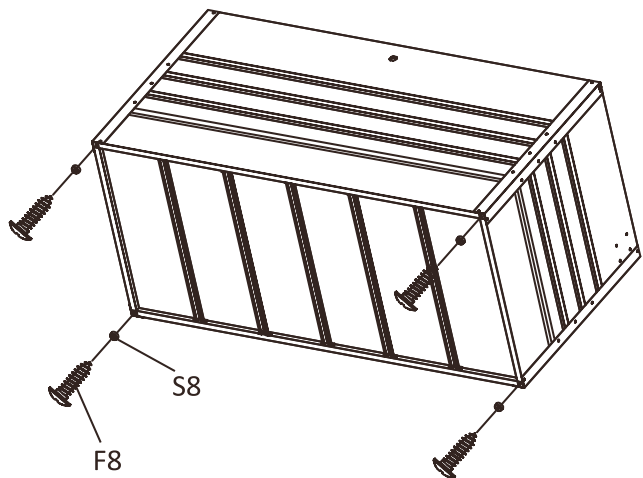
Model	Description	Quantity
P1	Left Panel	1
P2	Right Panel	1
P4	Rear Panel	1
F2	M4x10 Bolt	6
S3	Plastic Washer	6



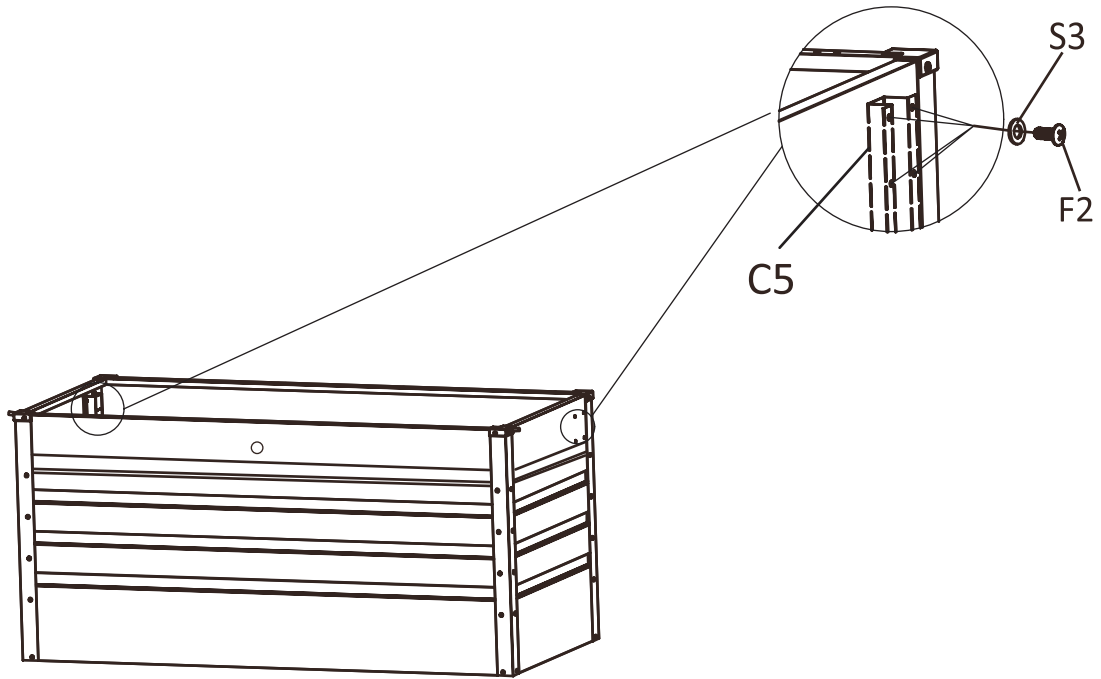
Model	Description	Quantity
P1	Left Panel	1
P2	Right Panel	1
P3	Front Panel	1
F2	M4x10 Bolt	6
S3	Plastic Washer	6



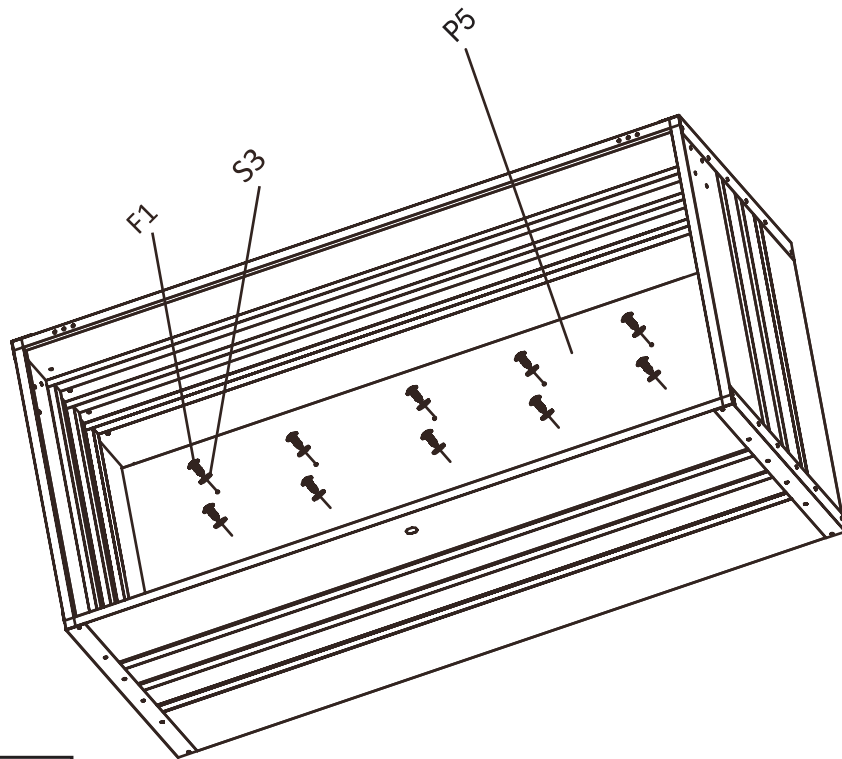
Model	Description	Quantity
C4	Bottom Stiffener	5
F1	M4 Self-tapping Screw	20



Model	Description	Quantity
S8	Protect Foot	4
S4	Plastic Protector	2
S5	Plastic Protector	1
S6	Plastic Protector	1
F8	M4 Self-tapping Screw (Long)	4
F1	M4 Self-tapping Screw	8

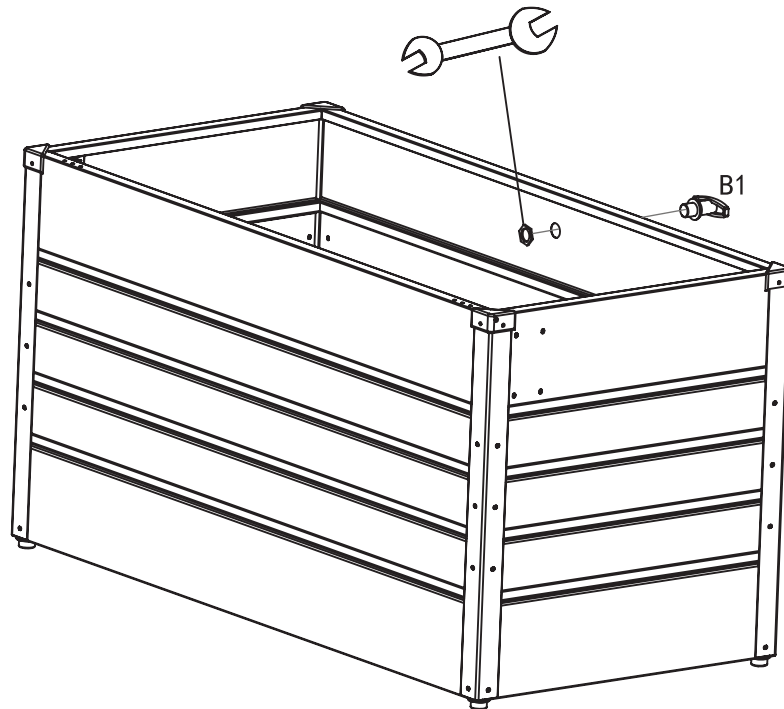


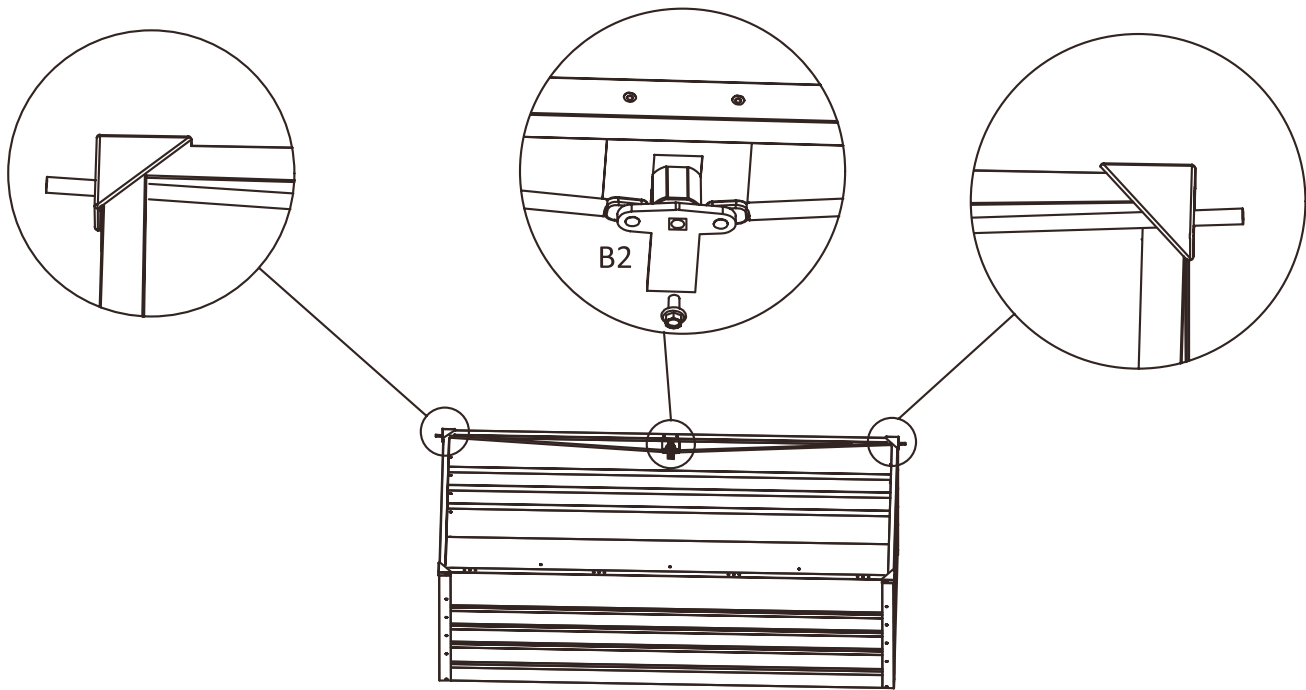
Model	Description	Quantity
C5	Hydraulic Rod Holder	2
F2	M4x10 Bolt	8
S3	Plastic Washer	8



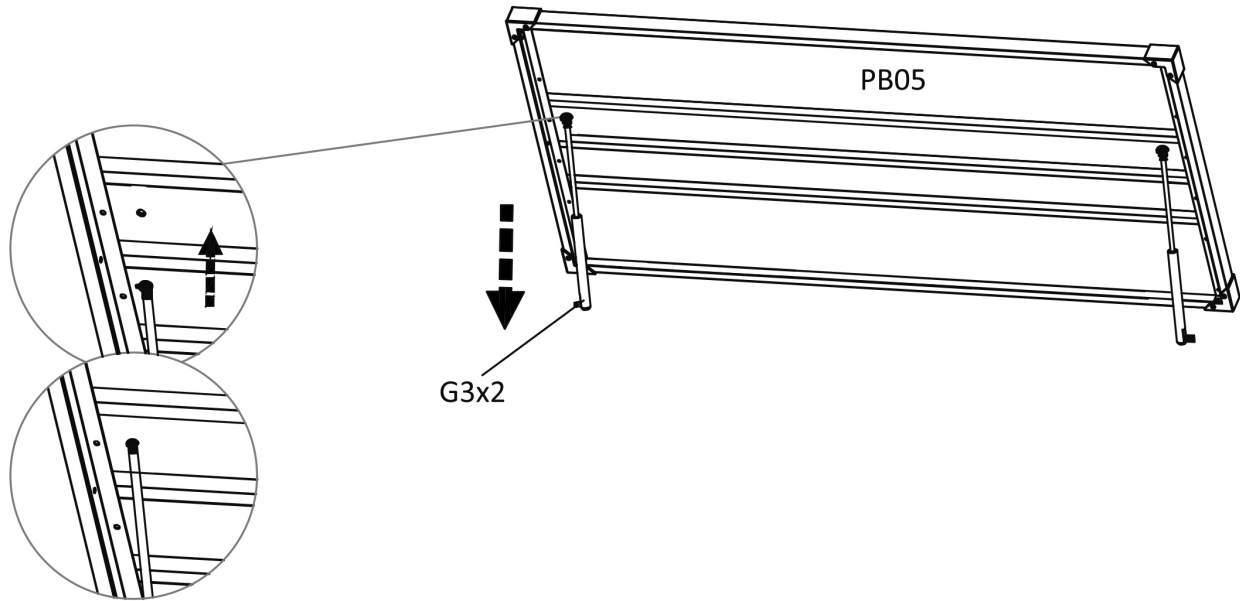
Model	Description	Quantity
P5	Bottom Plate	1
F1	M4 Self-tapping Screw	10
S3	Plastic Washer	10

Tighten with M27 wrench





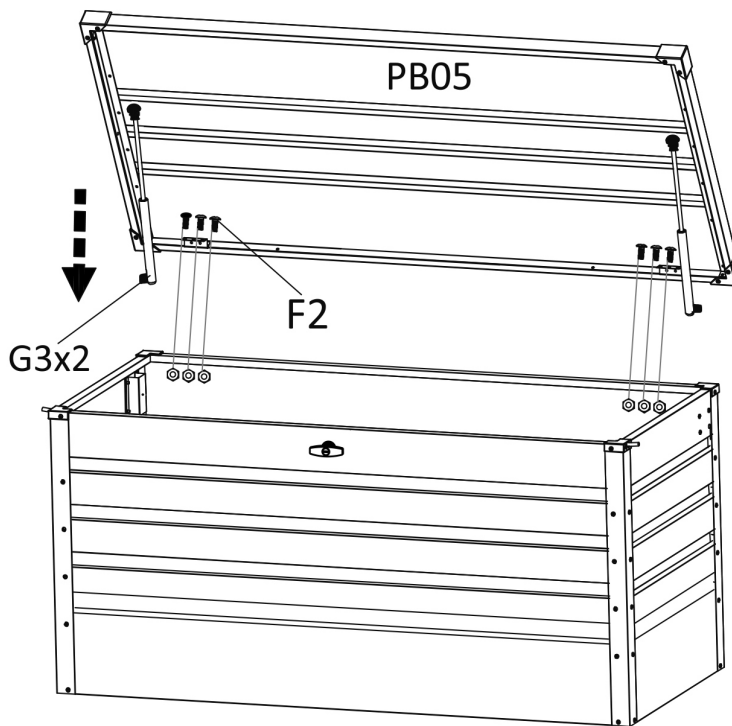
Model	Description	Quantity
B1	Lock	1
B2	Lock Lever	1



Model	Description	Quantity
63	Hydraulic Rod	2

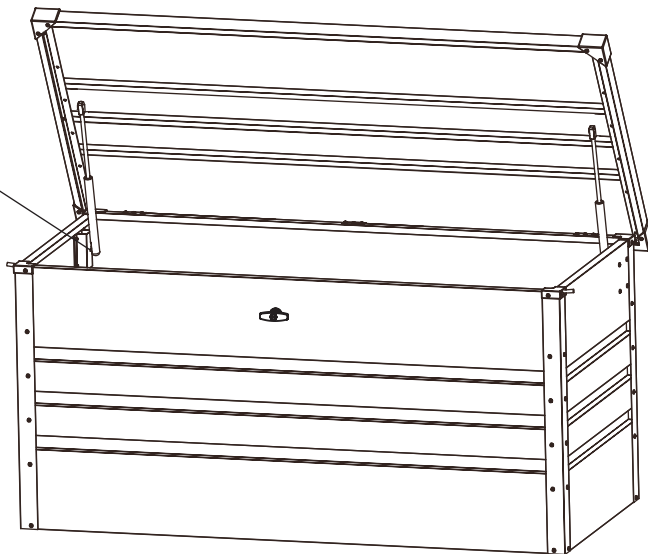
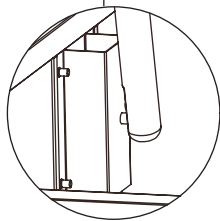
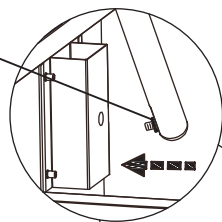


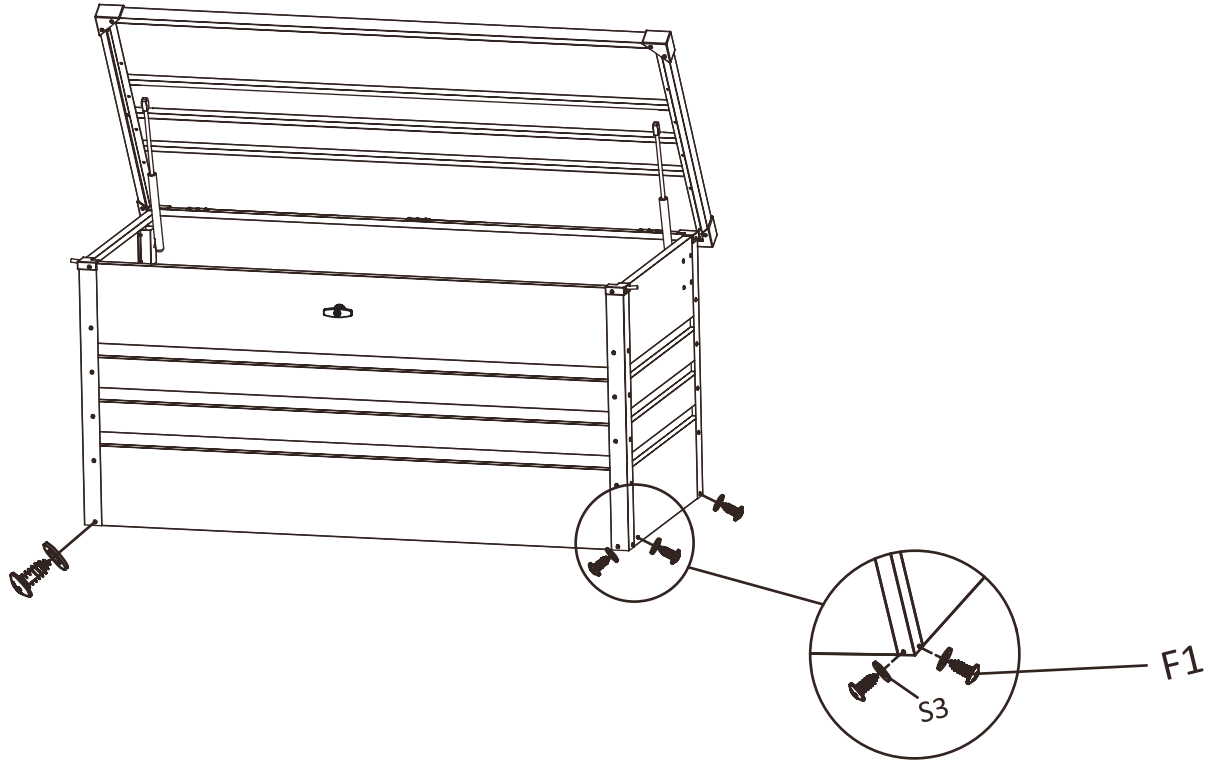
Important! Install this step with 2 persons!



Model	Description	Quantity
PB05	Top Lid	1
G3	Hydraulic Rod	2
F2	4x10 Bolt	6

M12 wrench





Model	Description	Quantity
S3	Plastic Washer	8
F1	M4 Self-tapping Screw	8