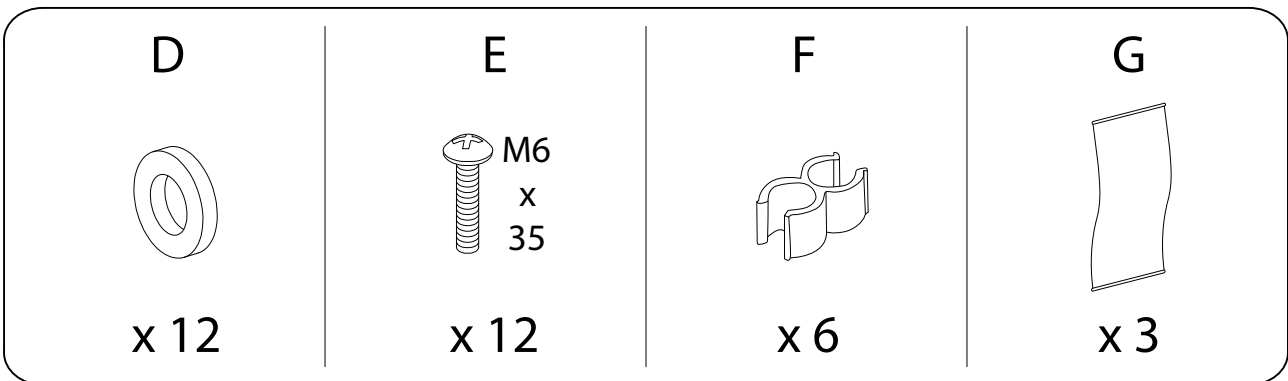
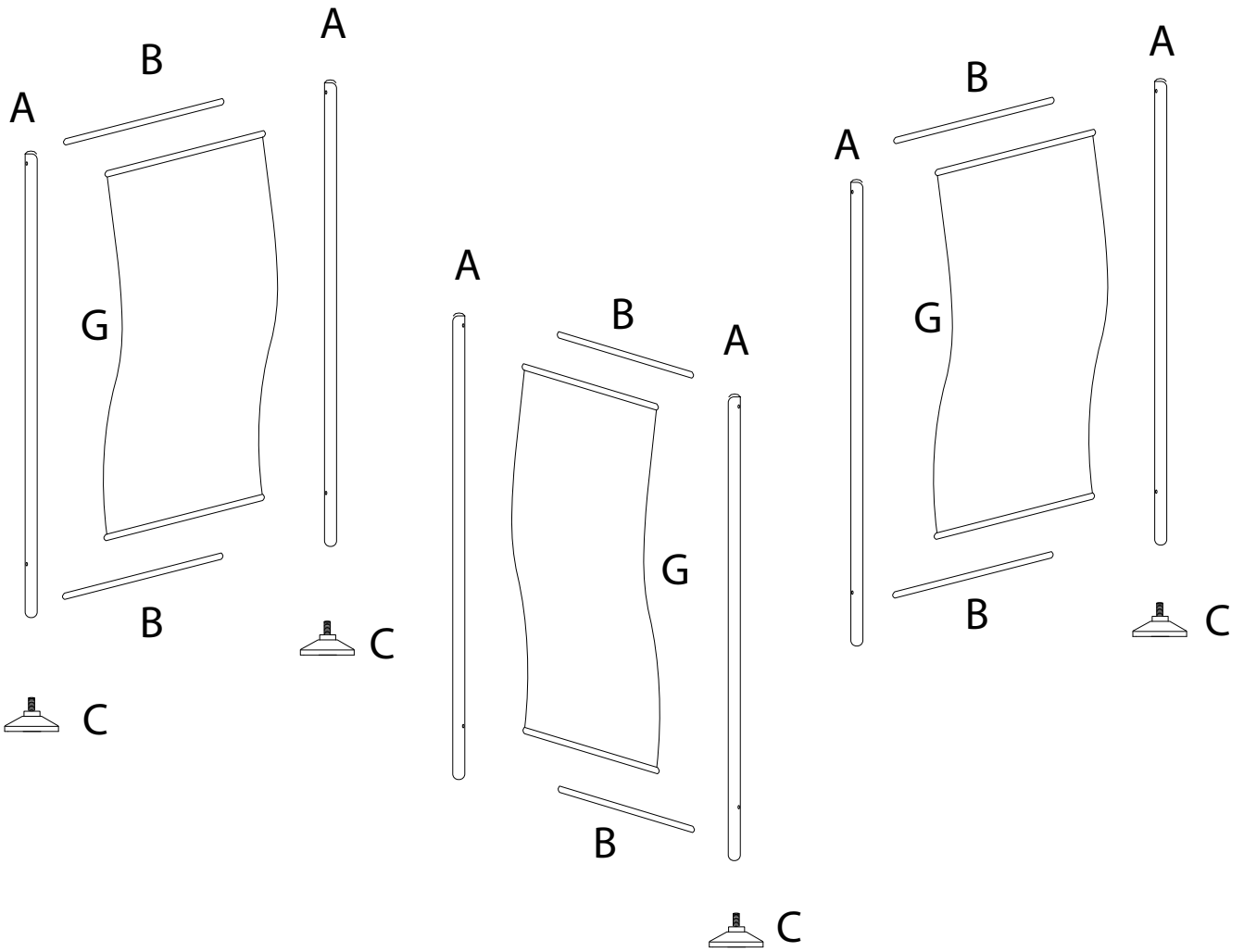
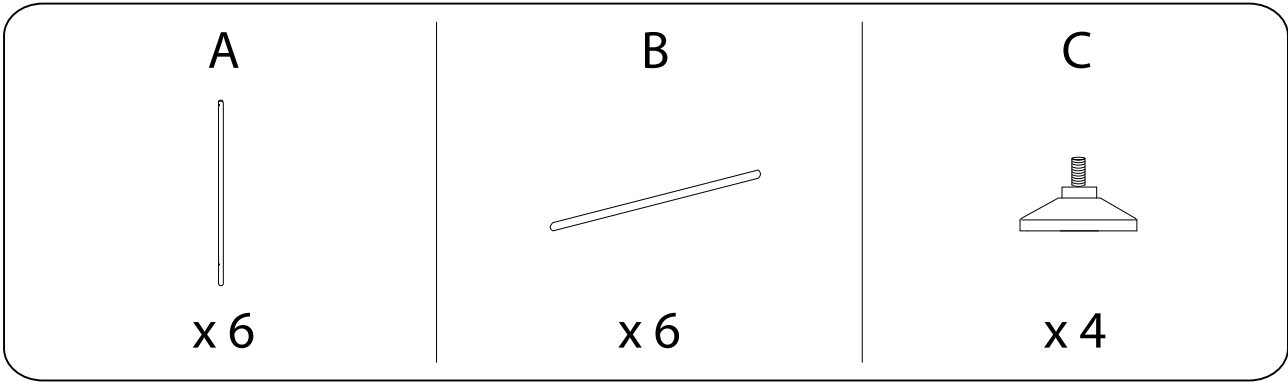


15'

1



1 x 6

B

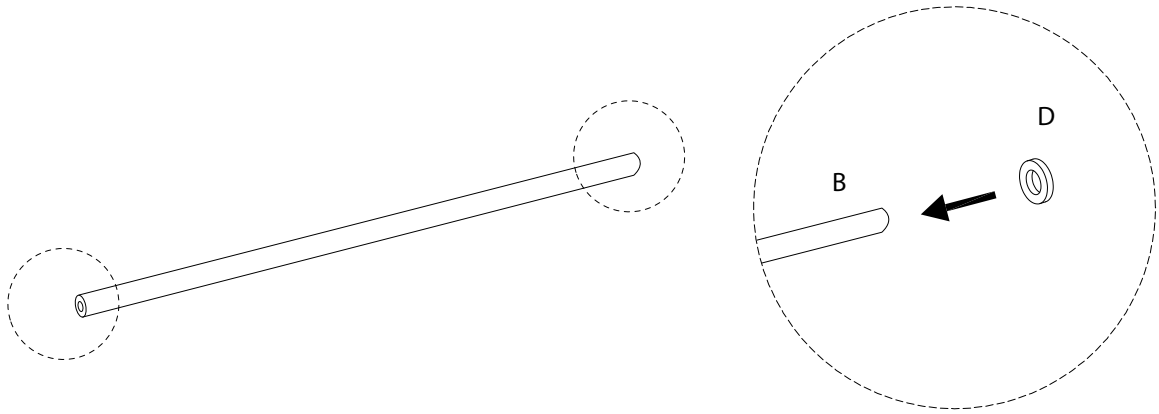


x 1

D



x 2



2 x 3

A

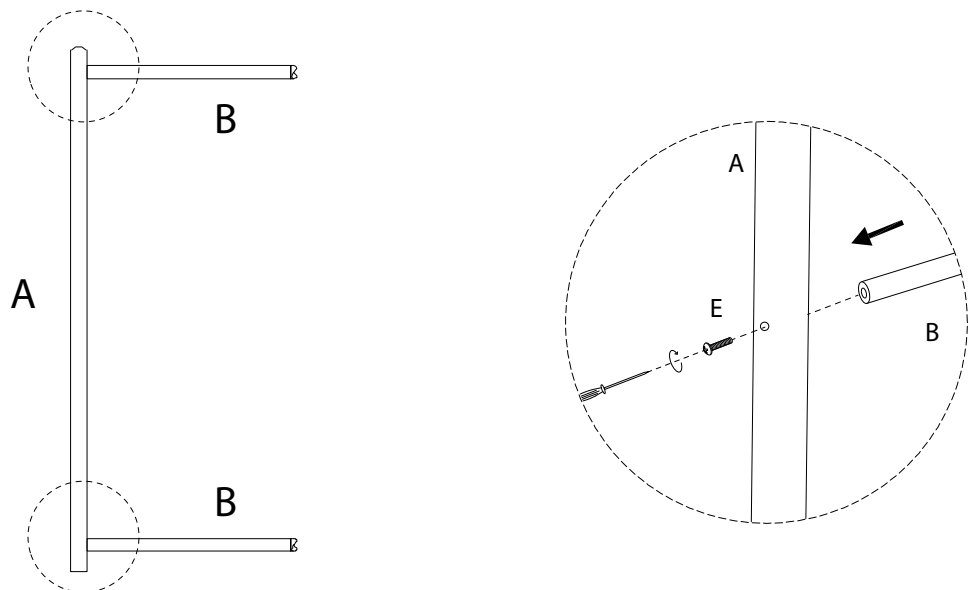


x 1

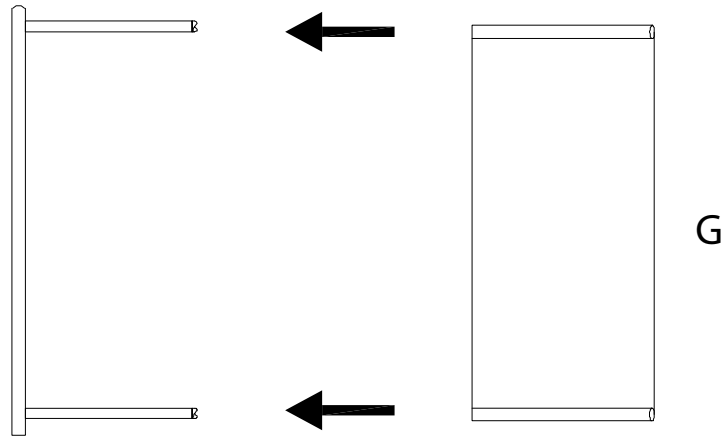
E



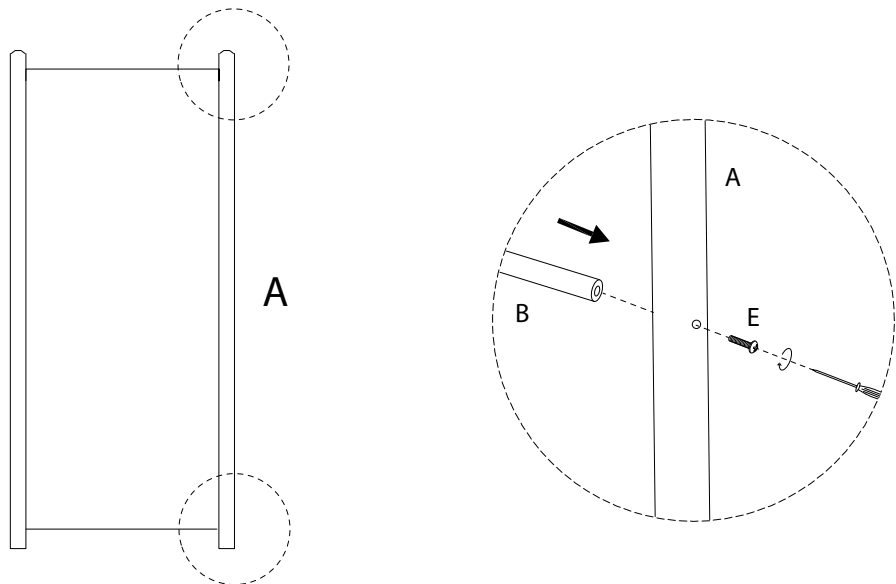
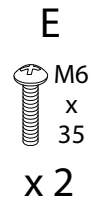
x 2



3 x 3



4 x 3

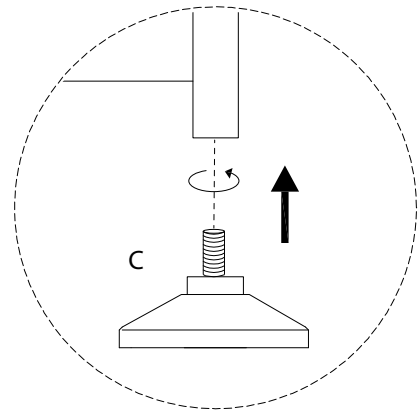
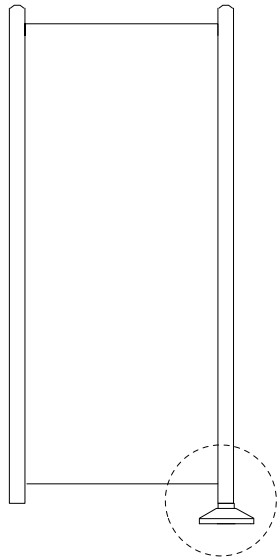


5 x 2

C



x 1

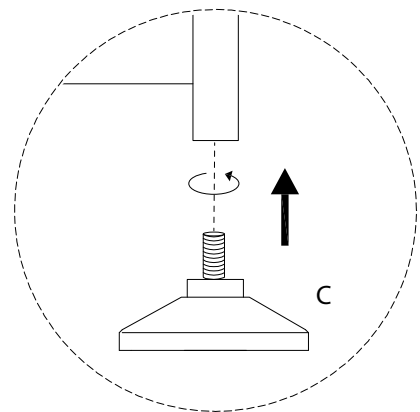
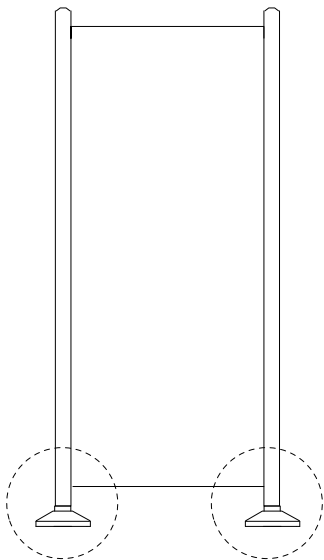


6

C



x 2



7

F



x 6

