

## NOTICE

- \* Please make sure that you have all parts indicated and they are in good condition before you begin assembly of this item. Refer to part list and hardware list below for guidance.
- \* This item should be assembled on a soft surface to prevent scratching the finish during assembly.
- \* This item may require periodic tightening.
- \* If you are having difficulty, our friendly Customer Care team is always here to help. Please email [customersupport@safavieh.com](mailto:customersupport@safavieh.com)


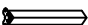
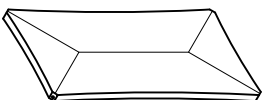


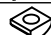


## PREPARATION

- \* Before beginning assembly of product, make sure all parts are present. Compare parts with part contents list and hardware contents list.
- \* If any part is missing or damaged, do not attempt to assemble the product.
- \* Estimated Assembly Time: 30 minutes. Needed for Assembly: 2 People.
- \* Tools Required for Assembly : L Key (included)

## CARE AND MAINTENANCE

Adhesive felt pads should always be applied to areas of furniture which make direct contact with flooring, said application will prevent damage to the furniture and or surfaces on which the furniture lies. Objects placed on articles of furniture should rest on non abrasive material as to prevent damage to the wood finish. Wipe up spills immediately and avoid common hazards such as hot dishes, harsh solvents and abrasives. Cleaning should be done with a soft lint free cotton cloth dampened with water or furniture polish.

## Part List and Hardware List

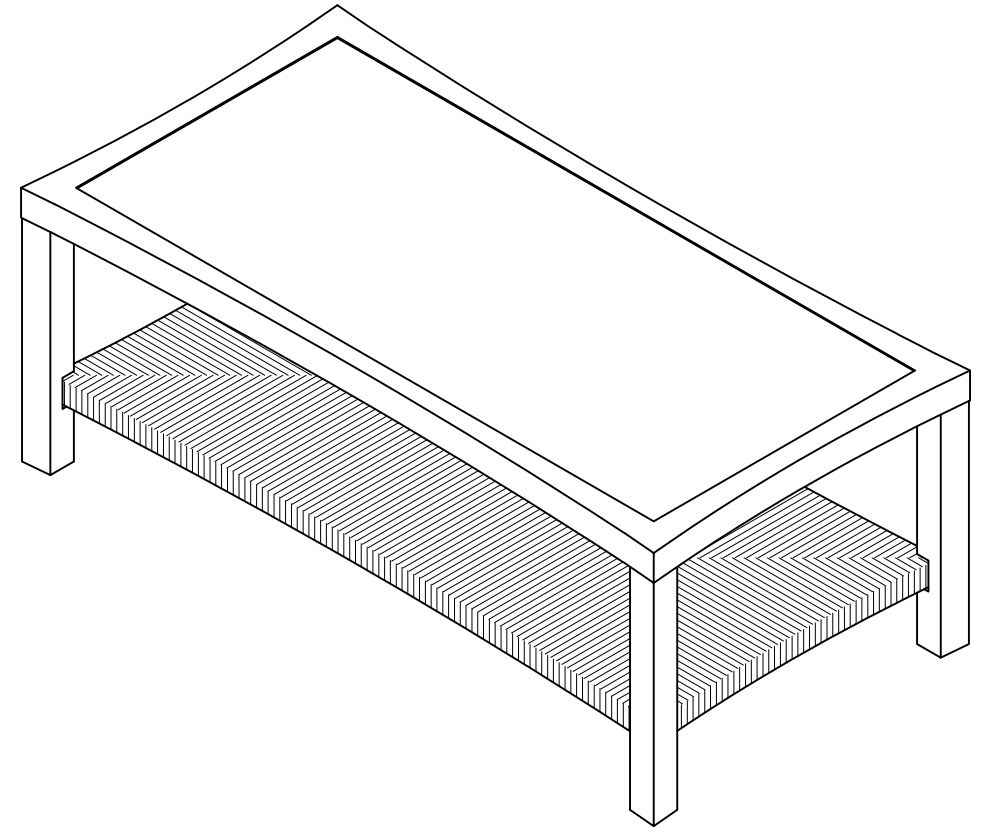
PIECE	DESCRIPTION	PICTURE	QUANTITY
A	TOP ASSEMBLY		1X
B	LEG		4X
C	SHELF ASSEMBLY		1X
HW1	BOLT 6 x 1 x 80 MM		4X
HW2	BOLT 6 x 1 x 20 MM		8X
HW3	SPACER		4X
HW4	SPRING WASHER Ø13 x 1 MM		12X
HW5	L KEY		1X

# SAFAVIEH

## COOUTURE

Model# SFV1313

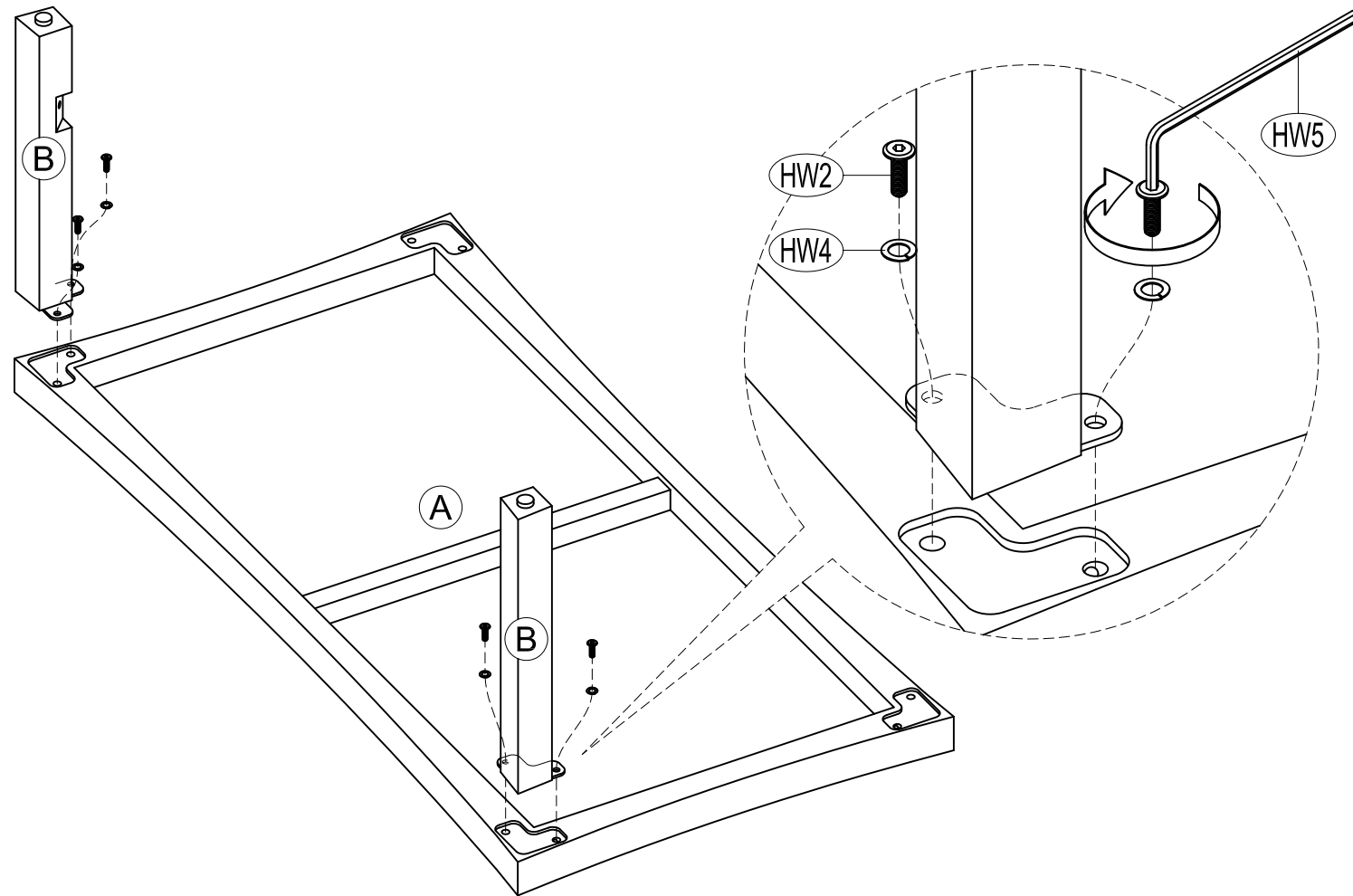
Product Dimensions: 48"W x 24"D x 18"H



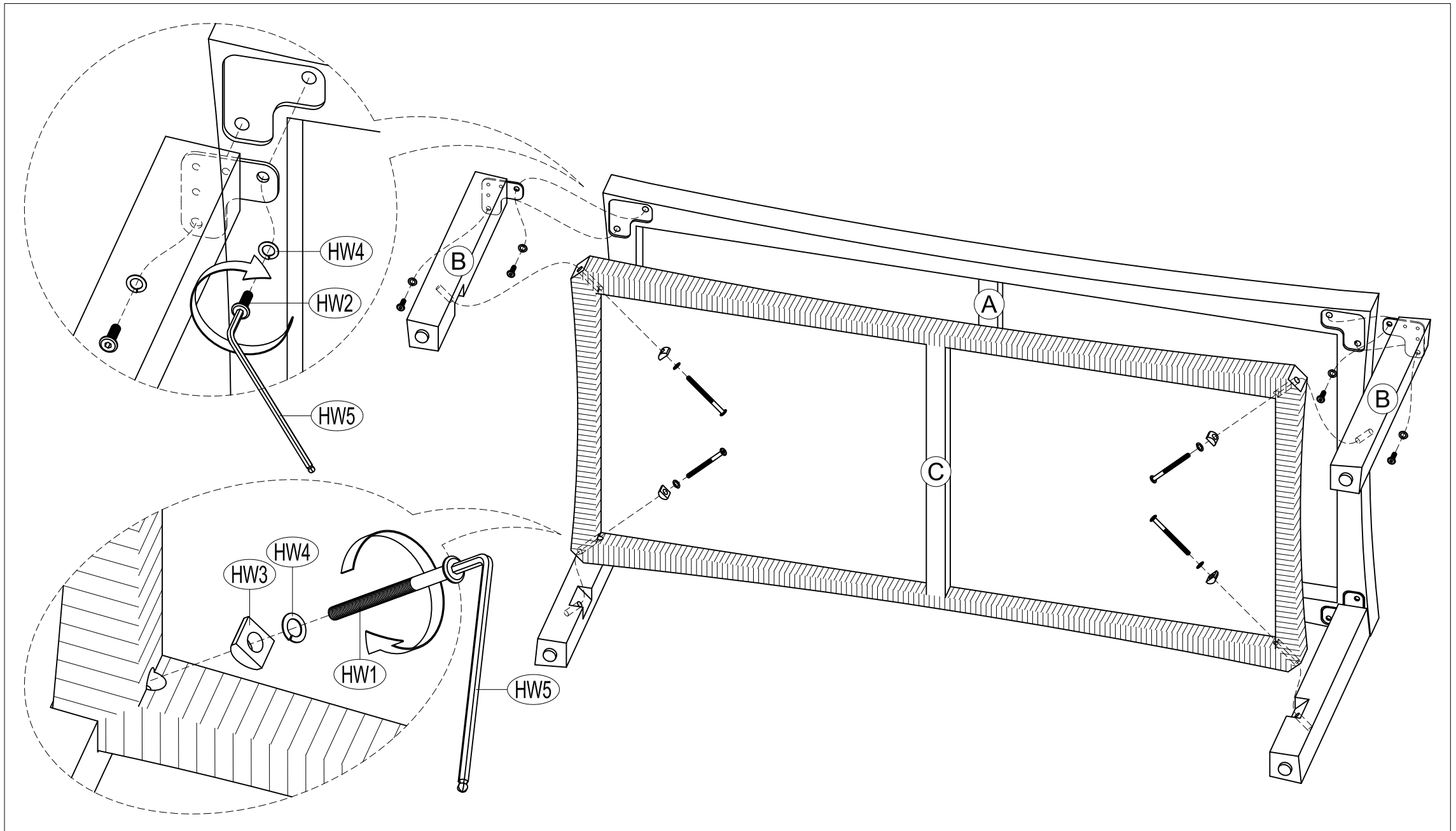
**WEIGHT CAPACITY: 100 LBS (TOP); 50 LBS (SHELF)**  
**WARNING: DO NOT STAND ON THE TABLE**  
**WARNING: DO NOT OVER TORQUE BOLTS**

## PREPARATION

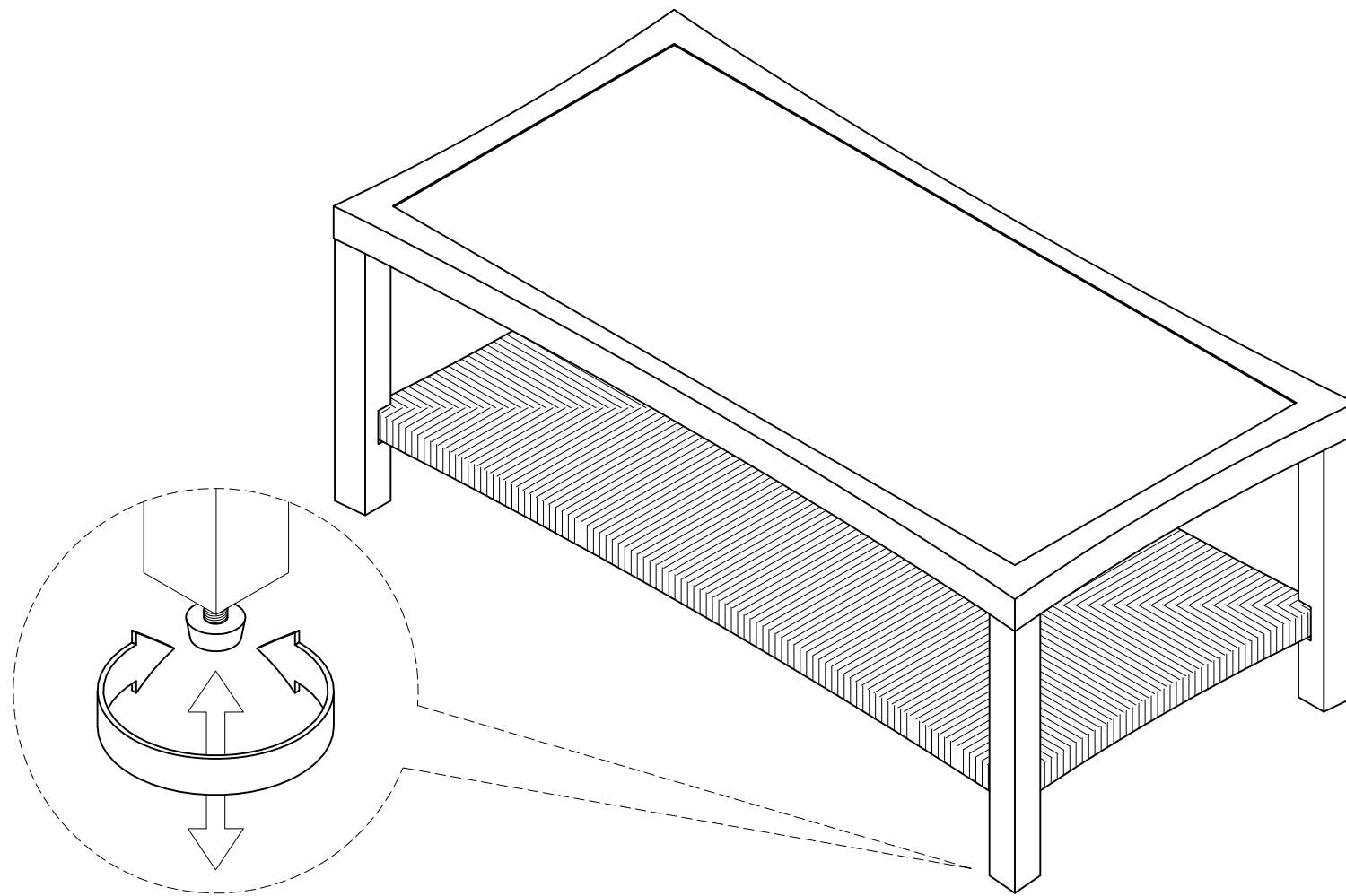
- \* Before beginning assembly of product, make sure all parts are present. Compare parts with part contents list and hardware contents list.
- \* If any part is missing or damaged, do not attempt to assemble the product.
- \* Estimated Assembly Time: 30 minutes. Needed for Assembly: 2 People.
- \* Tools Required for Assembly : L Key (included)
- \* If you are having difficulty, our friendly Customer Care team is always here to help. Please email [customersupport@safavieh.com](mailto:customersupport@safavieh.com)



**STEP 1** PLACE THE SPRING WASHERS (HW4) ON THE BOLTS (HW2). ATTACH 2 OF THE LEGS (B) TO THE TOP ASSEMBLY (A) BY USING THE L KEY (HW5) TO SCREW IN THE BOLTS (HW2) WITH THE SPRING WASHERS (HW4). NOTE: ATTACH BOLTS ONLY HALFWAY THIS TIME USING L KEY (HW5).



**STEP 2** ATTACH THE SHELF (C) TO THE LEGS (B) BY USING THE L KEY (HW5) TO SCREW IN THE BOLTS (HW1) THROUGH THE SPRING WASHERS (HW4) AND SPACERS (HW3) AS SHOWN. THEN REPEAT STEP 1 TO ATTACH THE LAST 2 LEGS (B) TO THE TOP ASSEMBLY (A). NOTE: TIGHTEN BOLTS USING L KEY (HW5) WHEN ALL PARTS ARE PROPERLY ASSEMBLED; INCLUDE BOLTS IN STEP 1; 2 PEOPLE ARE RECOMMENDED FOR ASSEMBLY.



**STEP 3** ADJUST THE LEVELERS ON THE BOTTOM OF THE LEGS AS NEEDED.