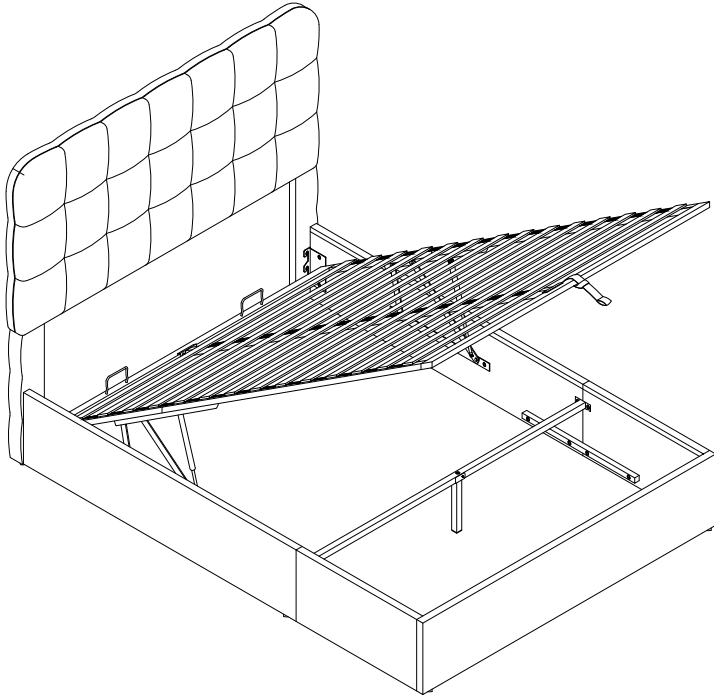


ASSEMBLY INSTRUCTION



Please **TEAR OFF** this shrink film from side!
DO NOT USE CUTTER!

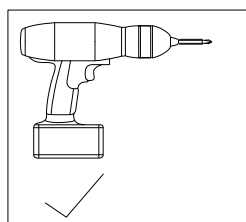
ITEM NUMBER: BH012

IMPORTANT NOTE

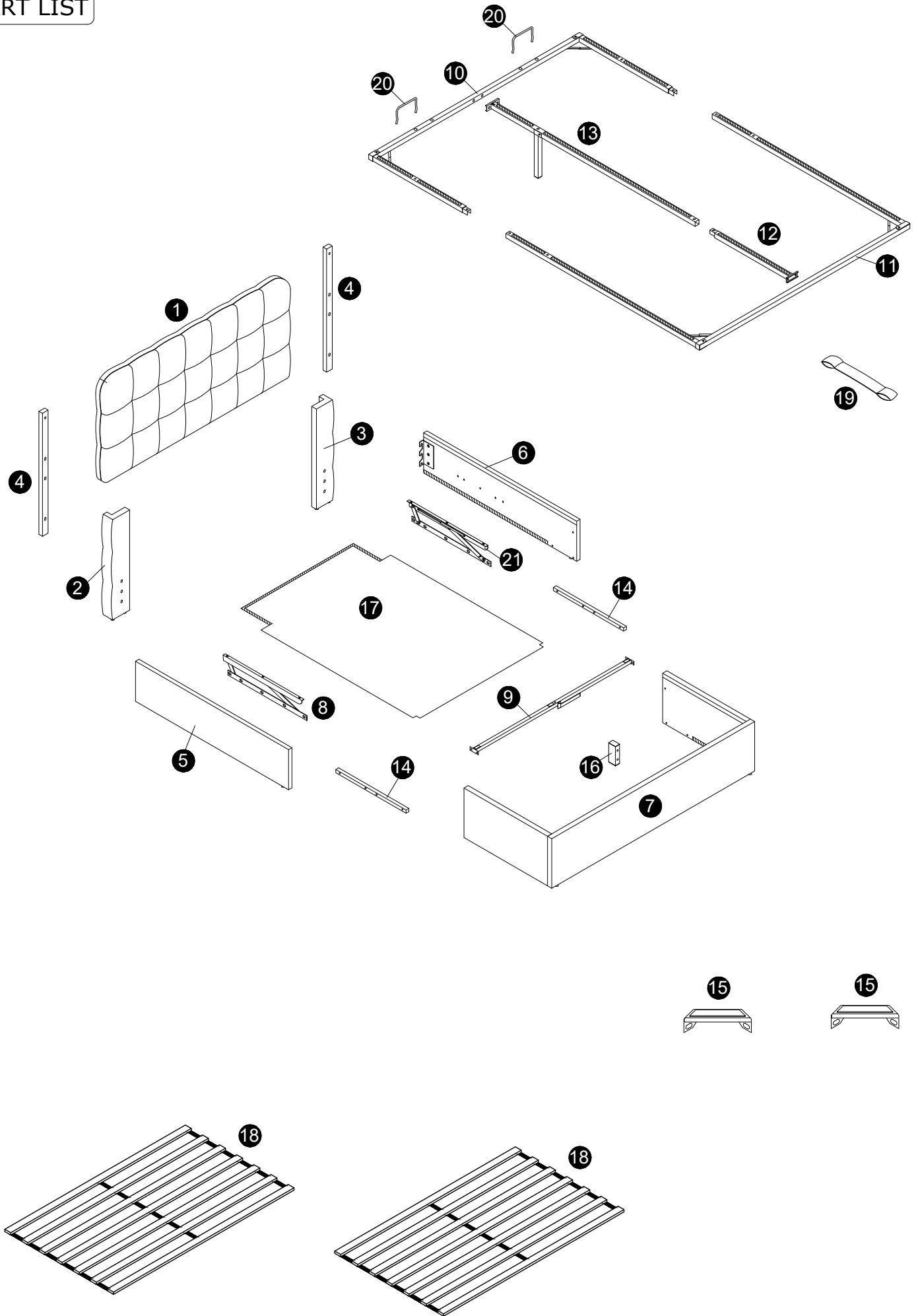
1. For the protection of your furniture, place all parts on a clean and smooth surface to prevent any damage.
2. Keep fittings out of children's reach and keep children well away from construction area.
3. When moving your assembled bed, it is best to lift the bed and never to drag it.
4. Do not use this product if parts are missing, damaged or worn.
5. This product should only be used on firm, level ground.
6. Please periodically check all fittings and re-tighten as necessary.
7. Do not use the bed unless all bolts and screws are firmly secured.
8. For further assistance, please provide a screenshot of your order and contact us via email at support@velocavabed.com



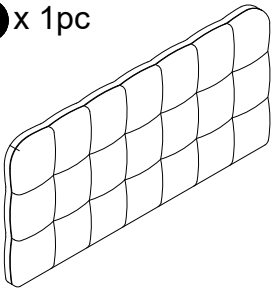


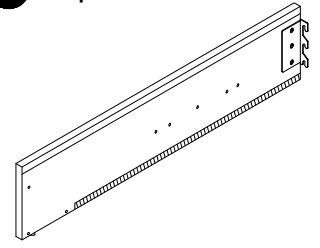
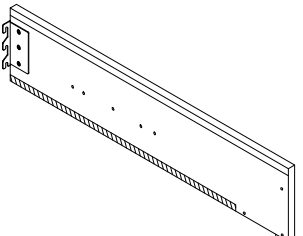
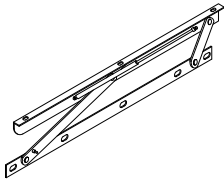

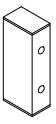
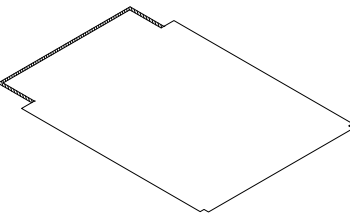
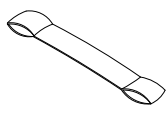
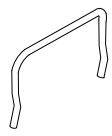
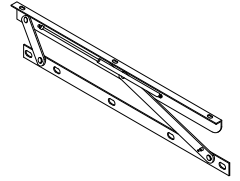
Minimum two
person assembly




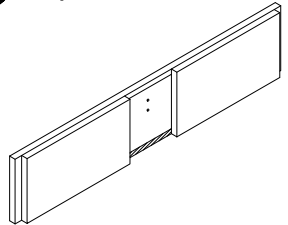
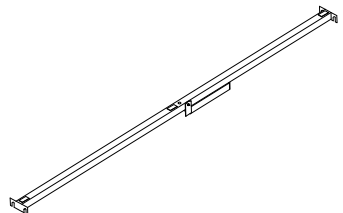
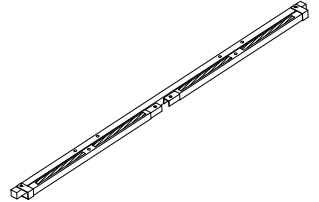
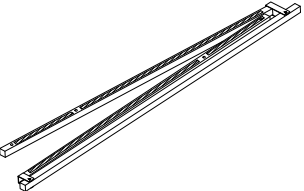
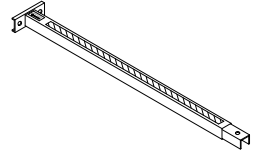
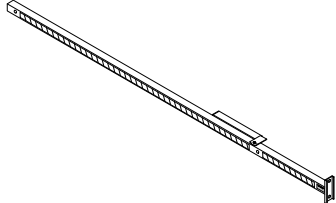
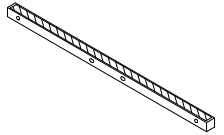
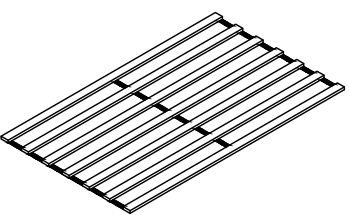
PART LIST



Components of Carton A

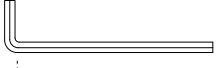
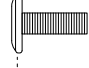





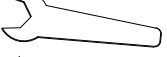

<p>1 x 1pc</p> 	<p>2 x 1pc</p> 	<p>3 x 1pc</p> 	<p>5 x 1pc</p> 
<p>6 x 1pc</p> 	<p>8 x 1pc</p> 	<p>15 x 2pcs</p> 	<p>16 x 1pc</p> 
<p>17 x 1pc</p> 	<p>19 x 1pc</p> 	<p>20 x 2pcs</p> 	<p>21 x 1pc</p> 

Components of Carton B

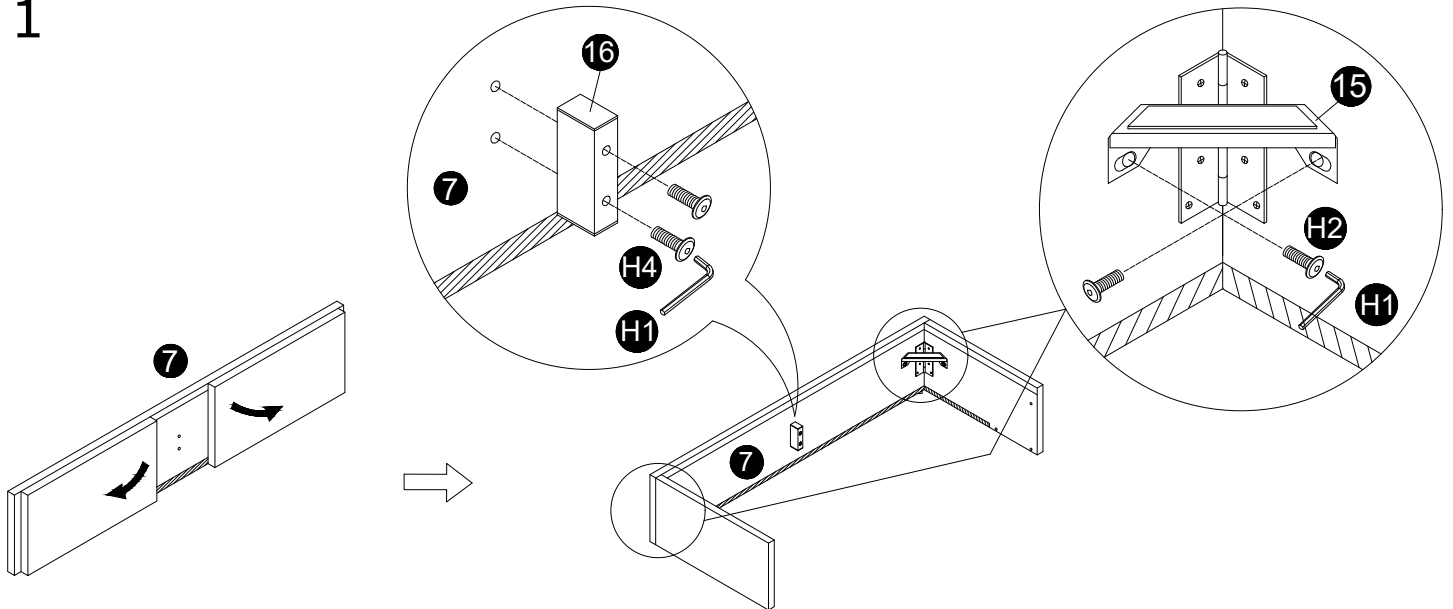
<p>4 x 2pcs</p> 	<p>7 x 1pc</p> 	<p>9 x 1pc</p> 	<p>10 x 1pc</p> 
<p>11 x 1pc</p> 	<p>12 x 1pc</p> 	<p>13 x 1pc</p> 	<p>14 x 2pcs</p> 
<p>18 x 2pcs</p> 			

Please ensure to thoroughly inspect the small inner cardboard box containing the hardware, which are tied with a red string, before disposing of the box.

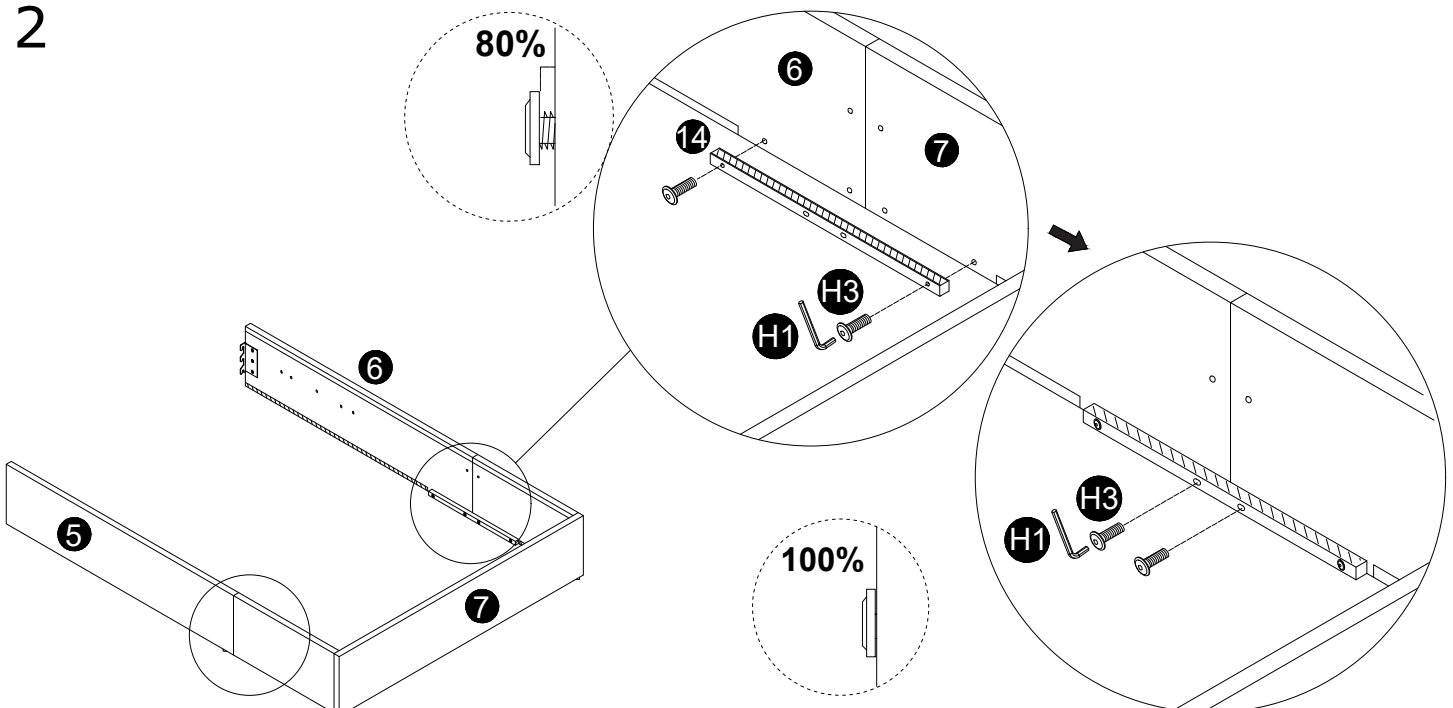
HARDWARE LIST

 H1 M5 x 1pc	 H2 M8x25mm x 29pcs	 H3 M8x40mm x 16pcs	 H4 M8x60mm x 2pcs
 H5 M8 x 14pcs	 H6 M8x22mm x 14pcs	 H7 M8 x 6pcs	 H8 M14 x 1pc
 H9 M8x50mm x 8pcs			

1

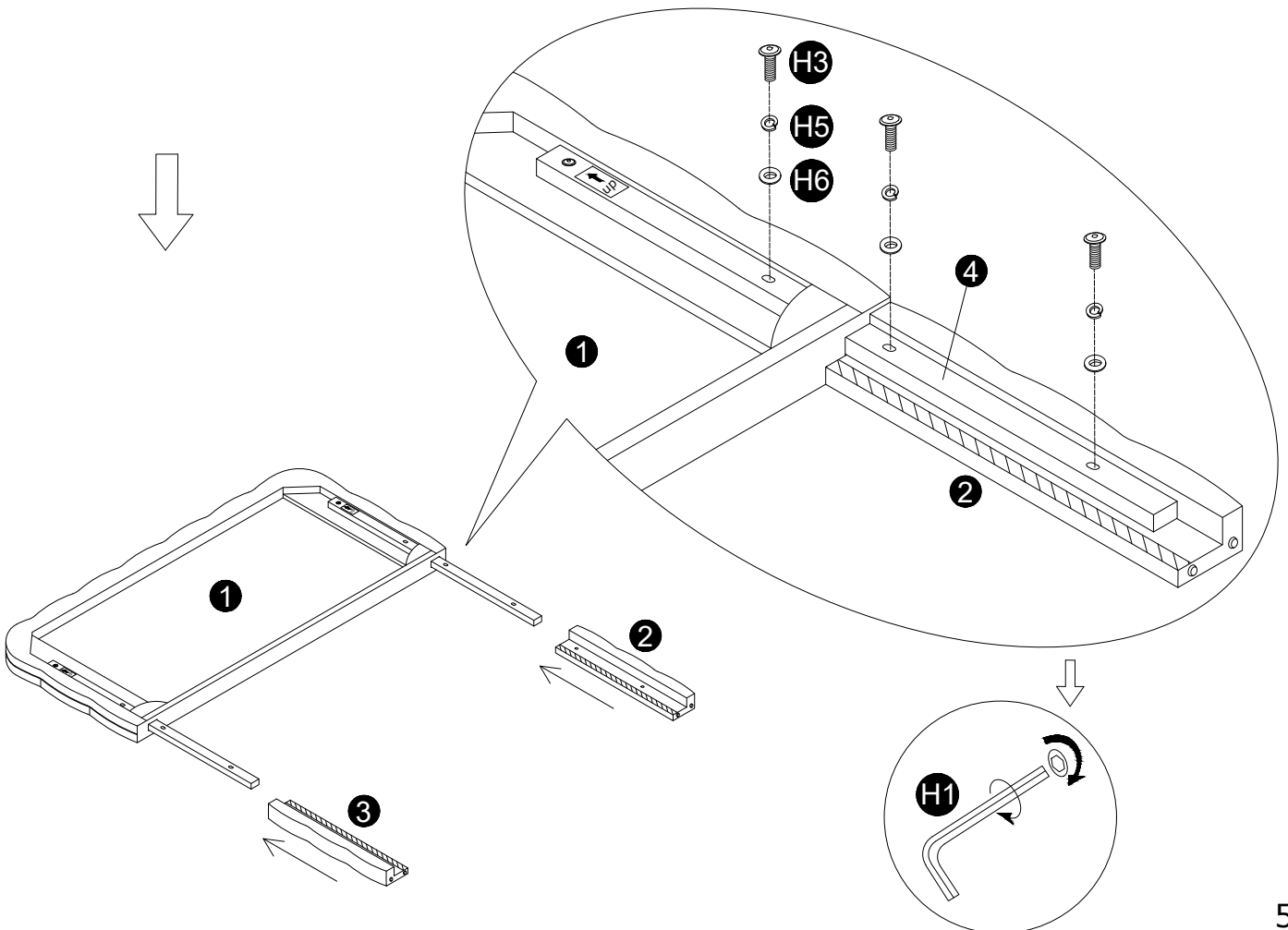
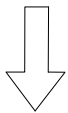
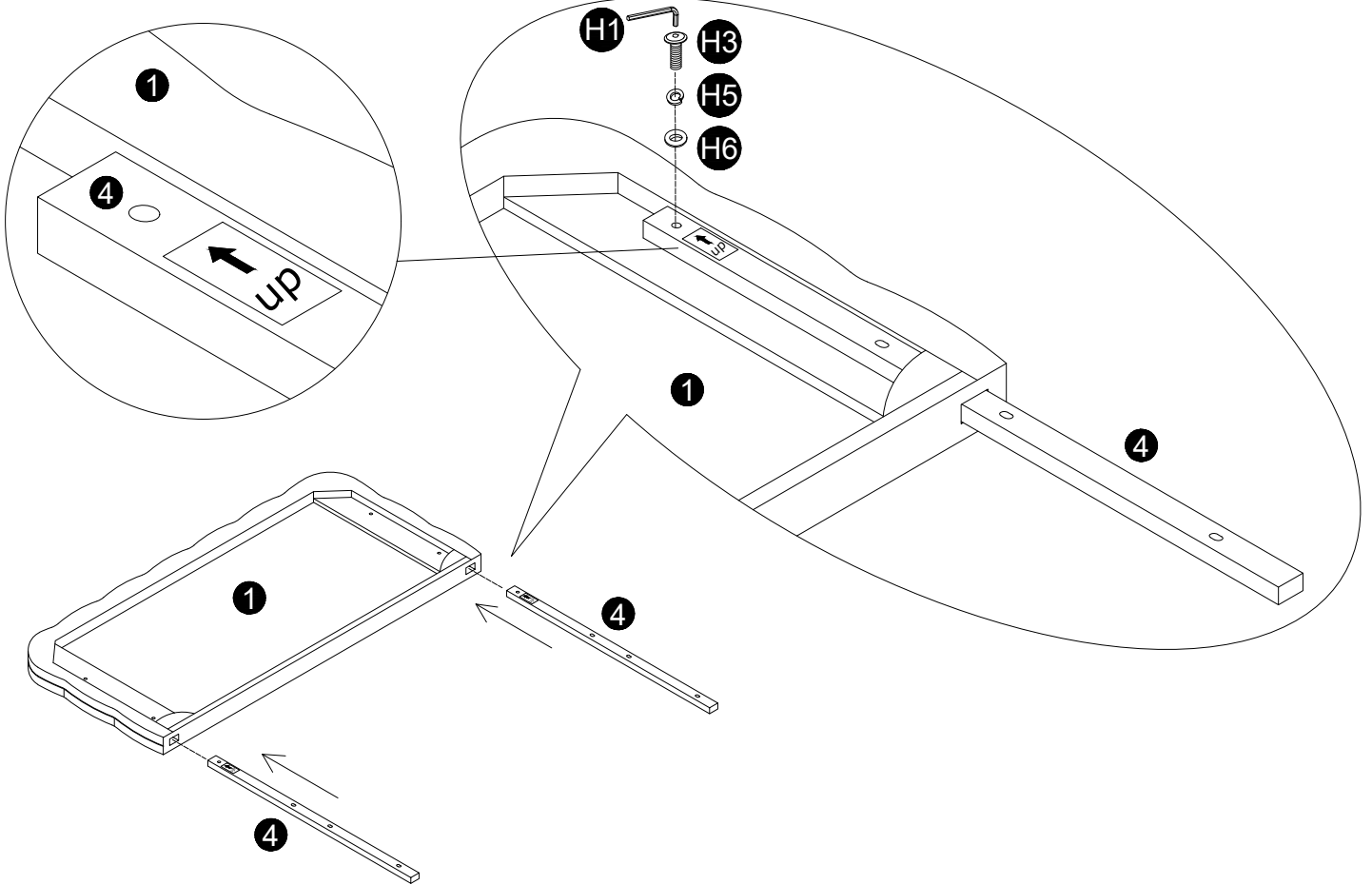


2



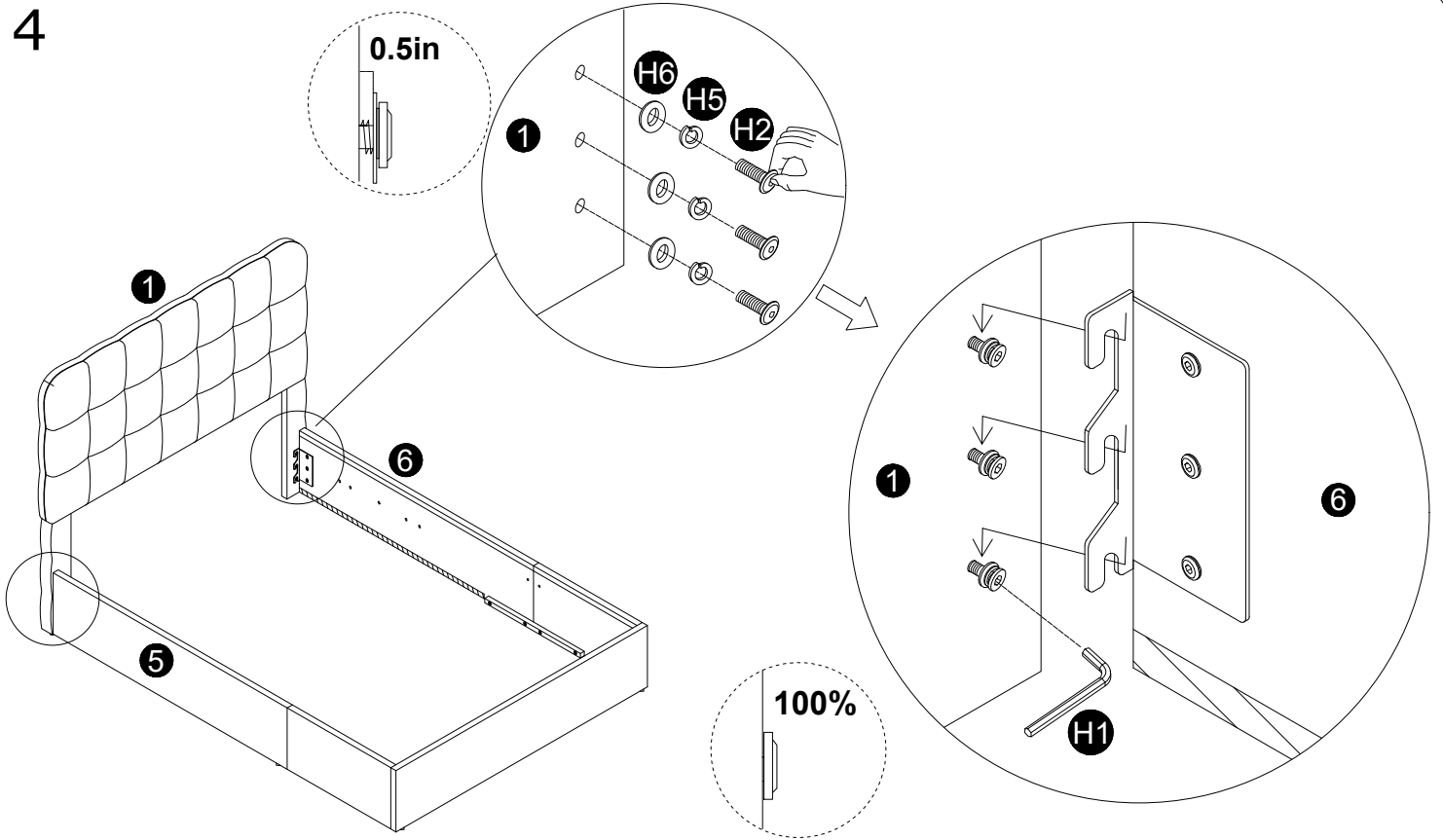
Fully tighten step 6 all fixings

3

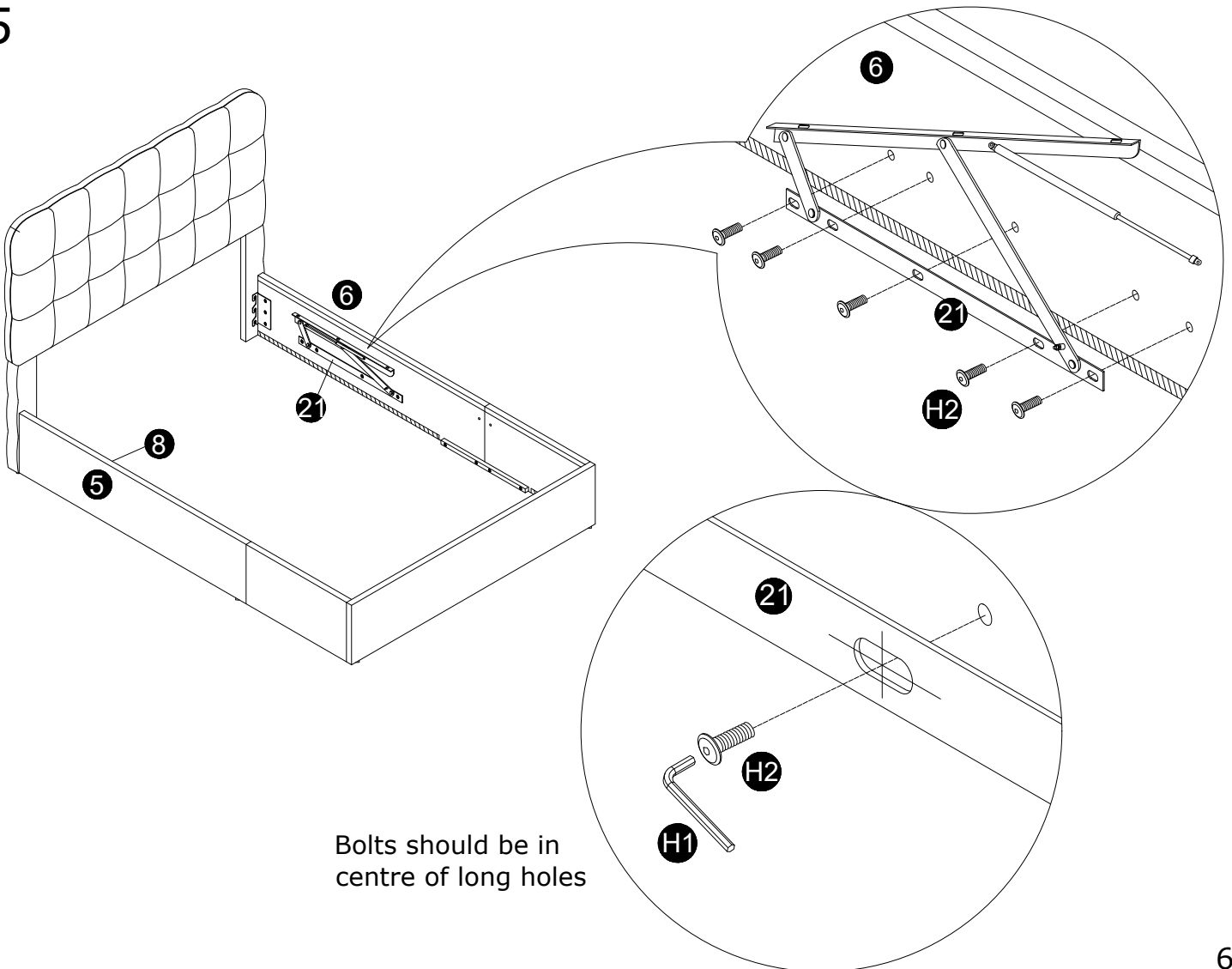


5

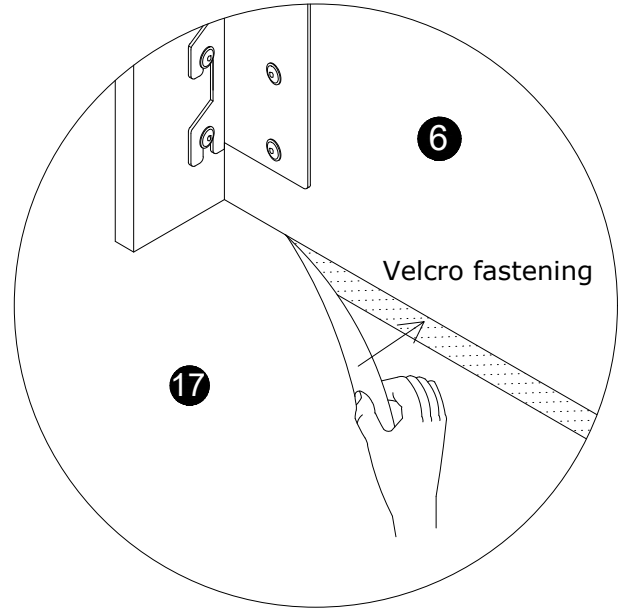
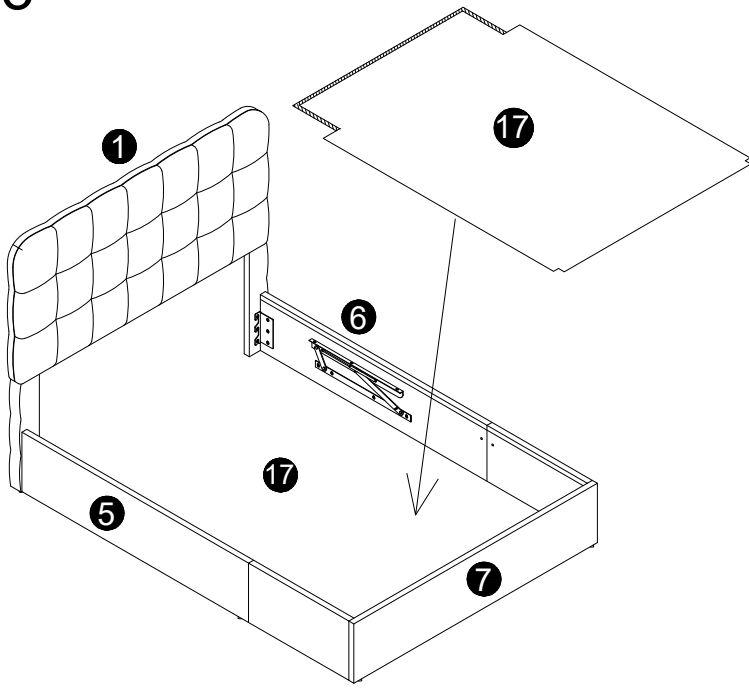
4



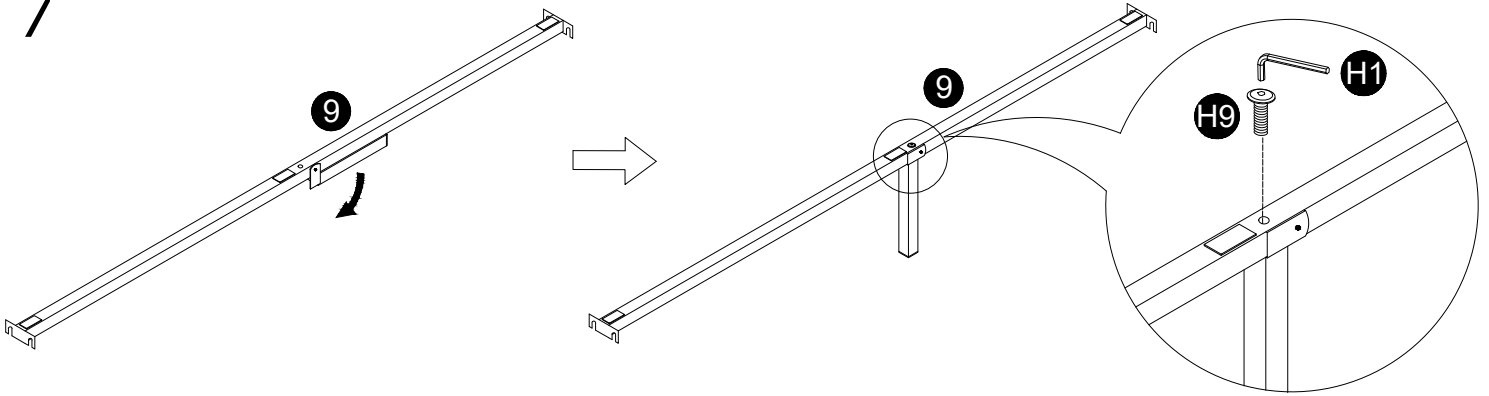
5



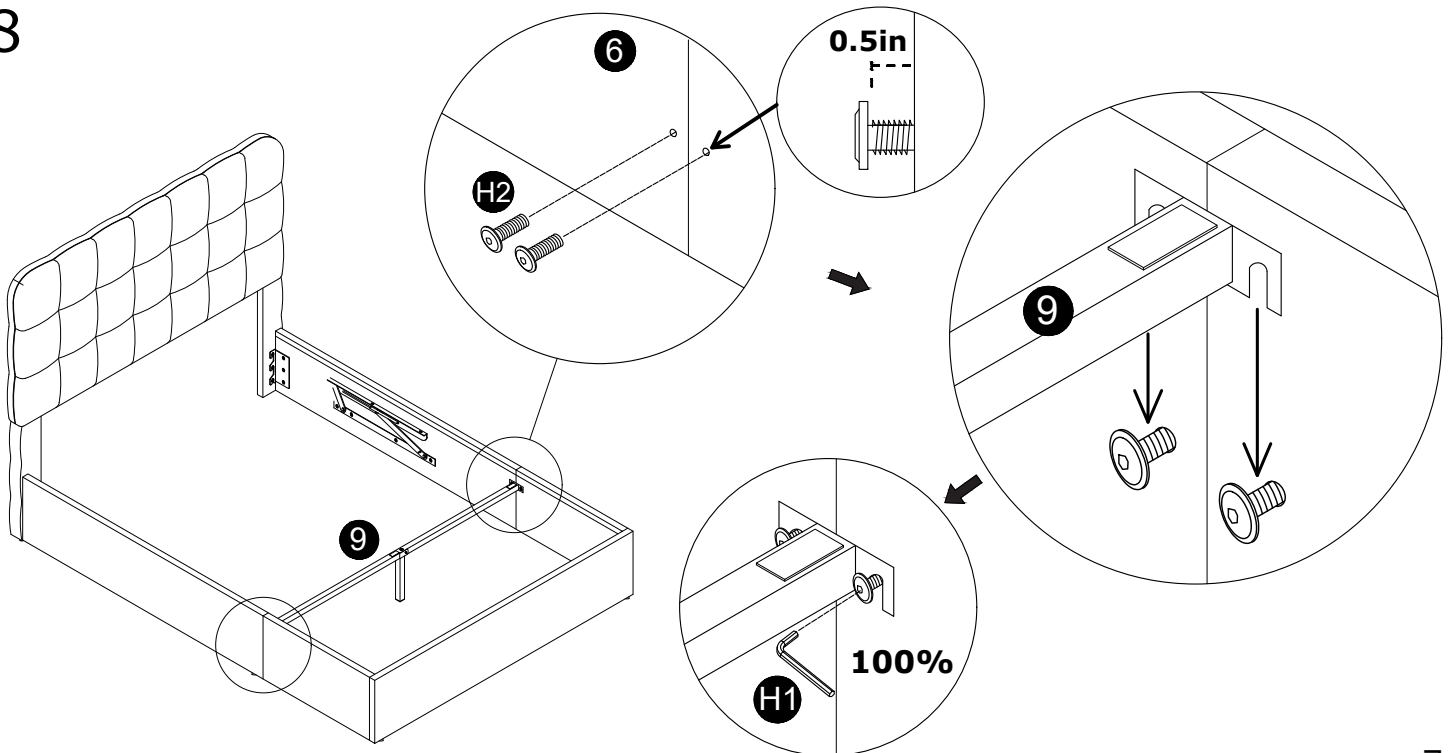
6



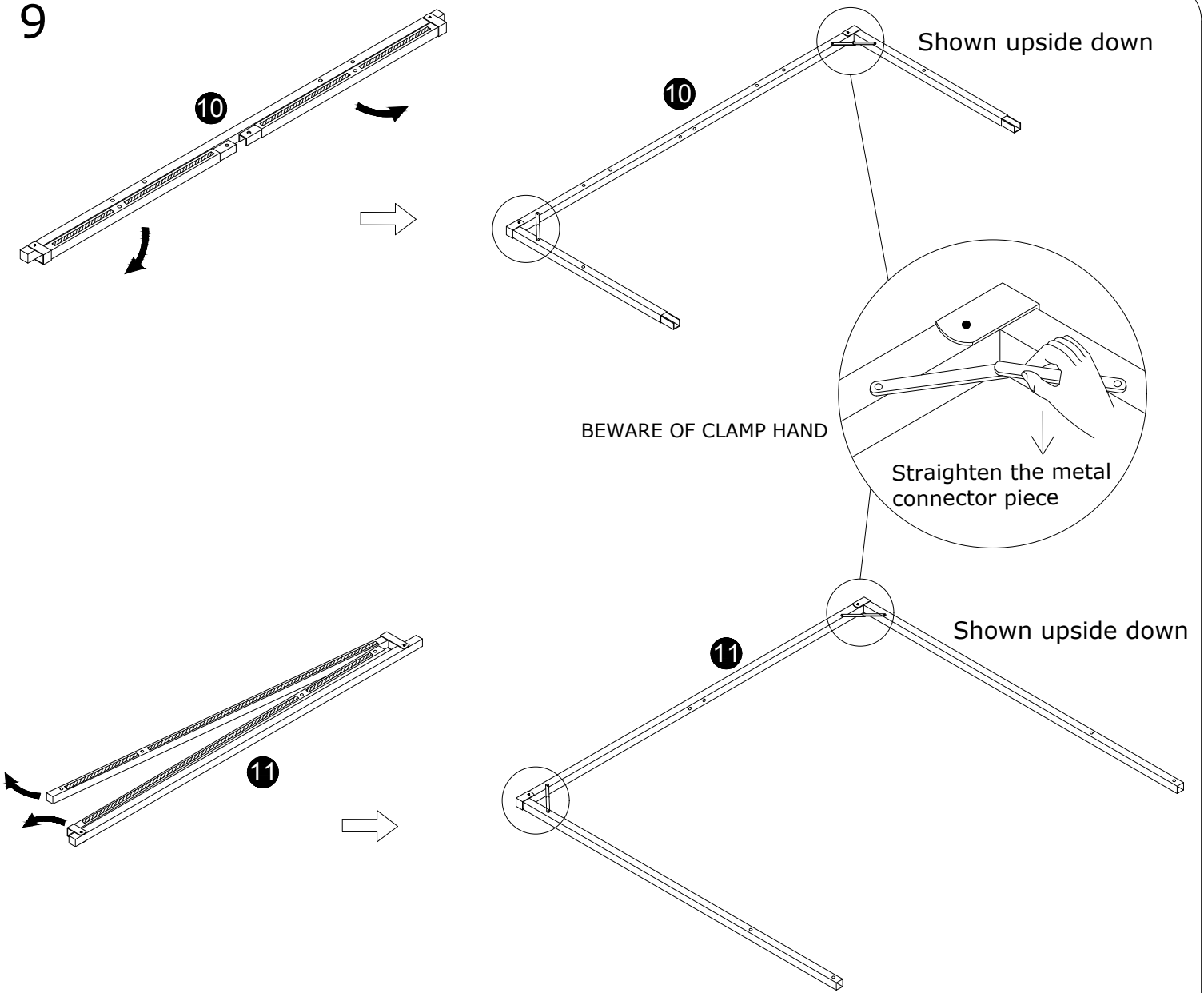
7



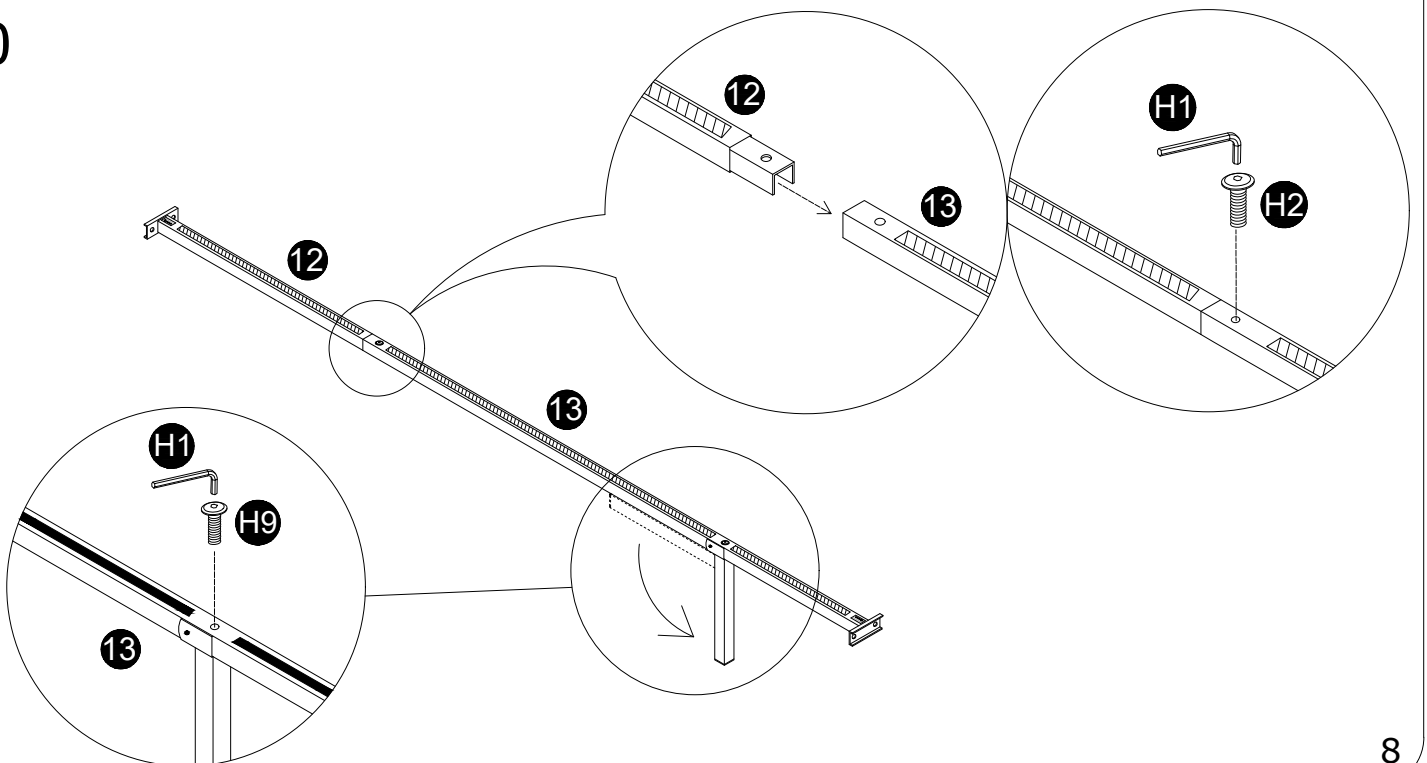
8

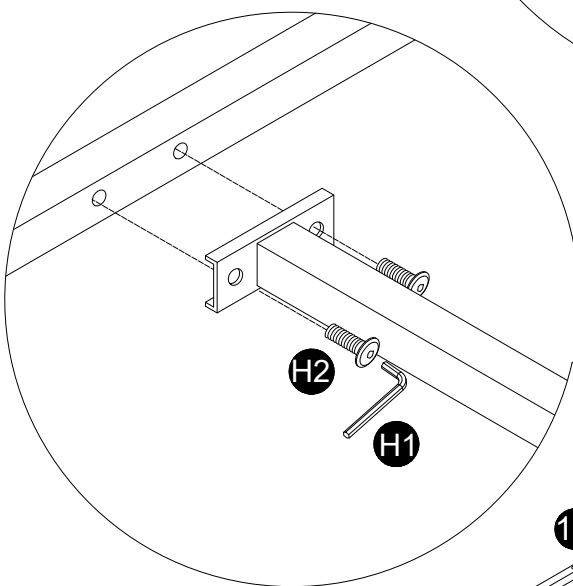
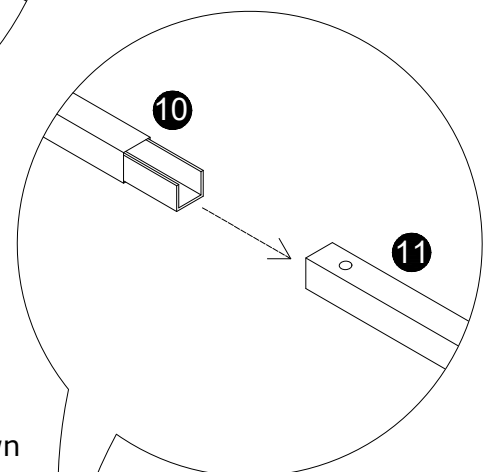
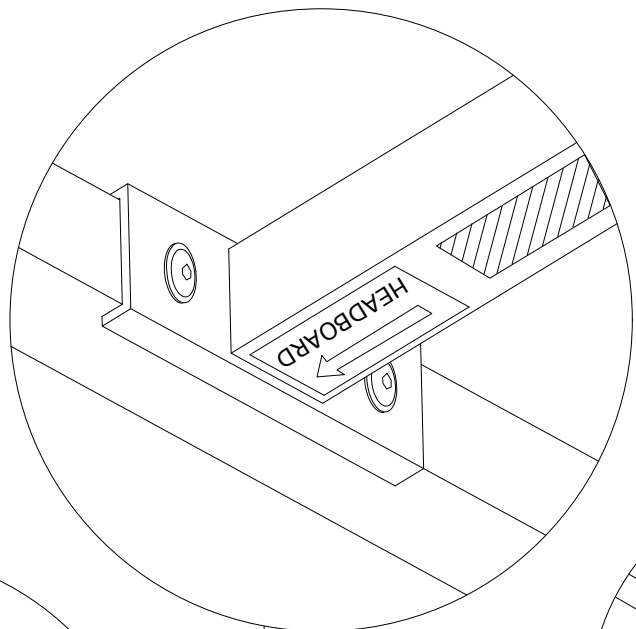


9

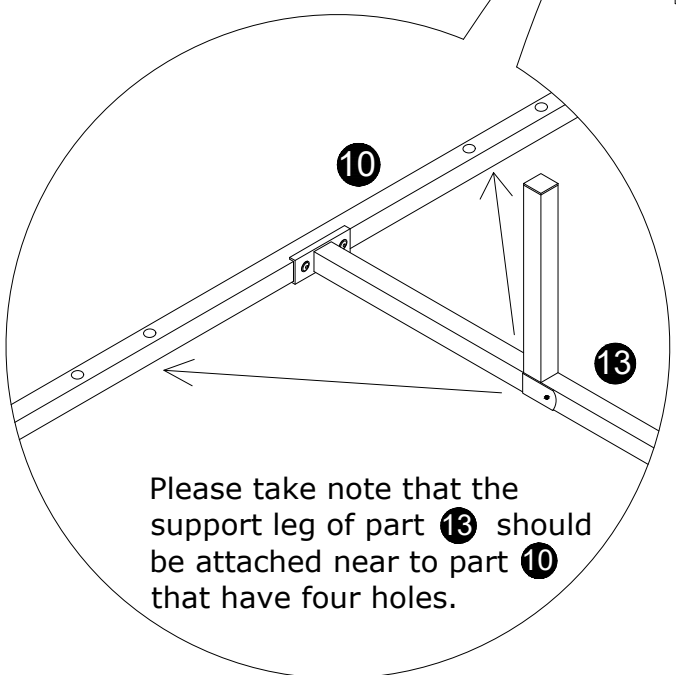
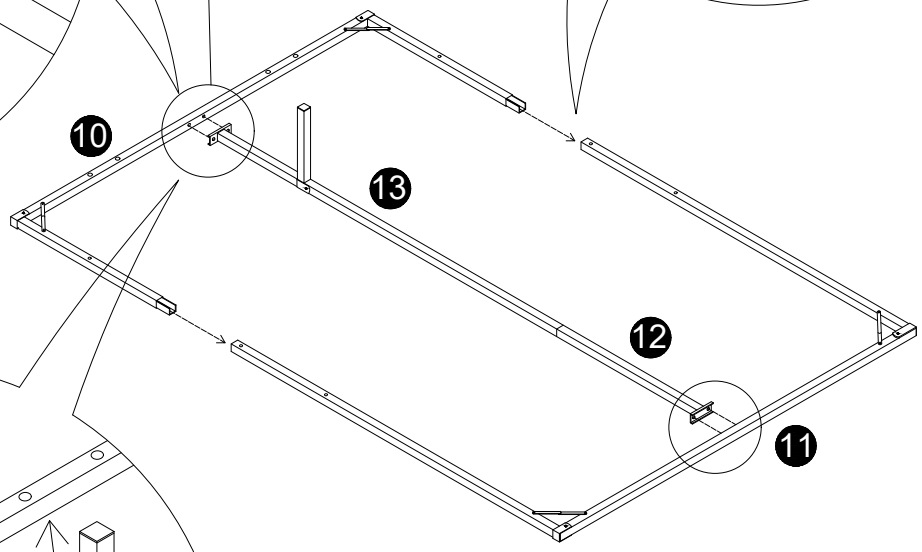


10



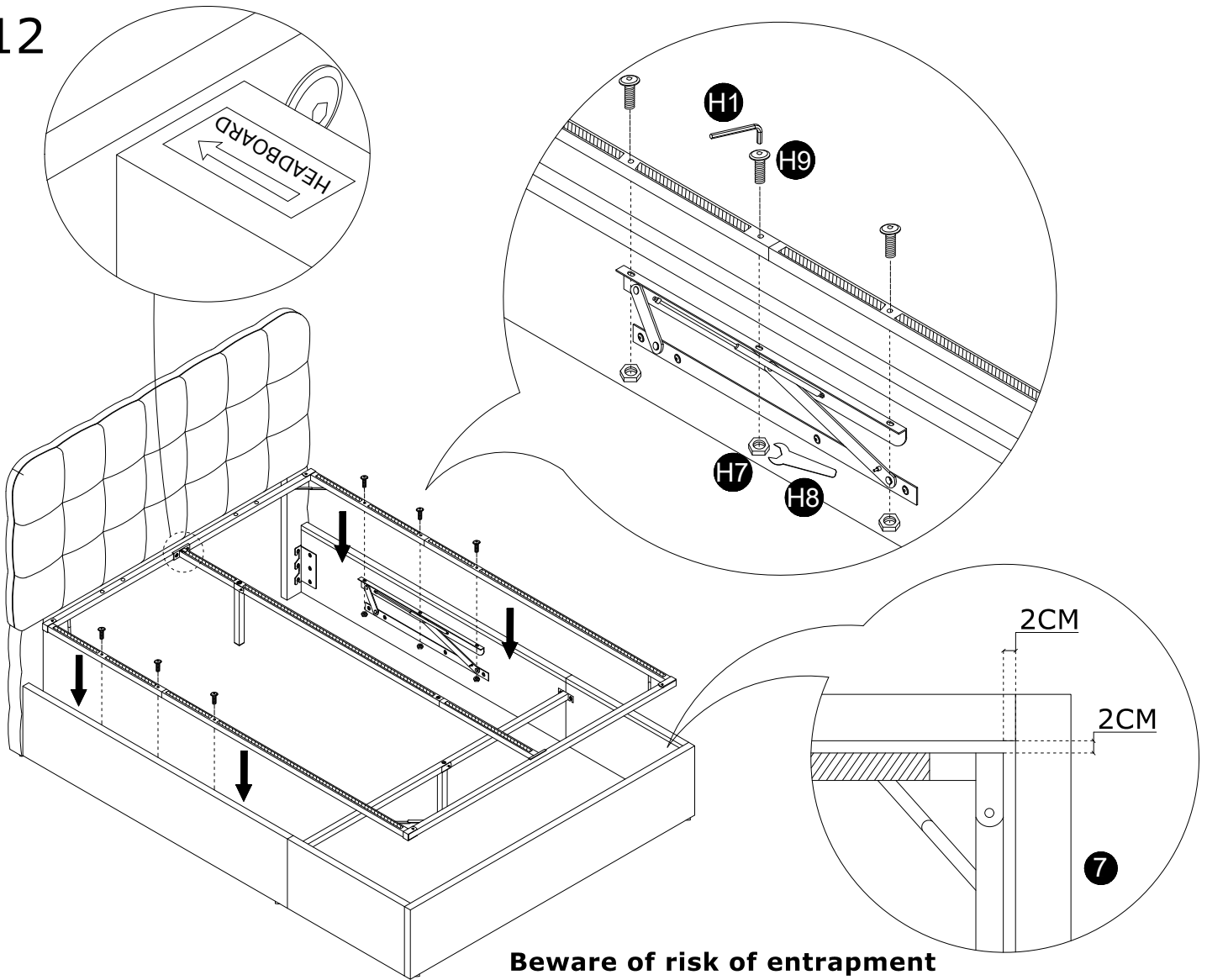


Shown upside down



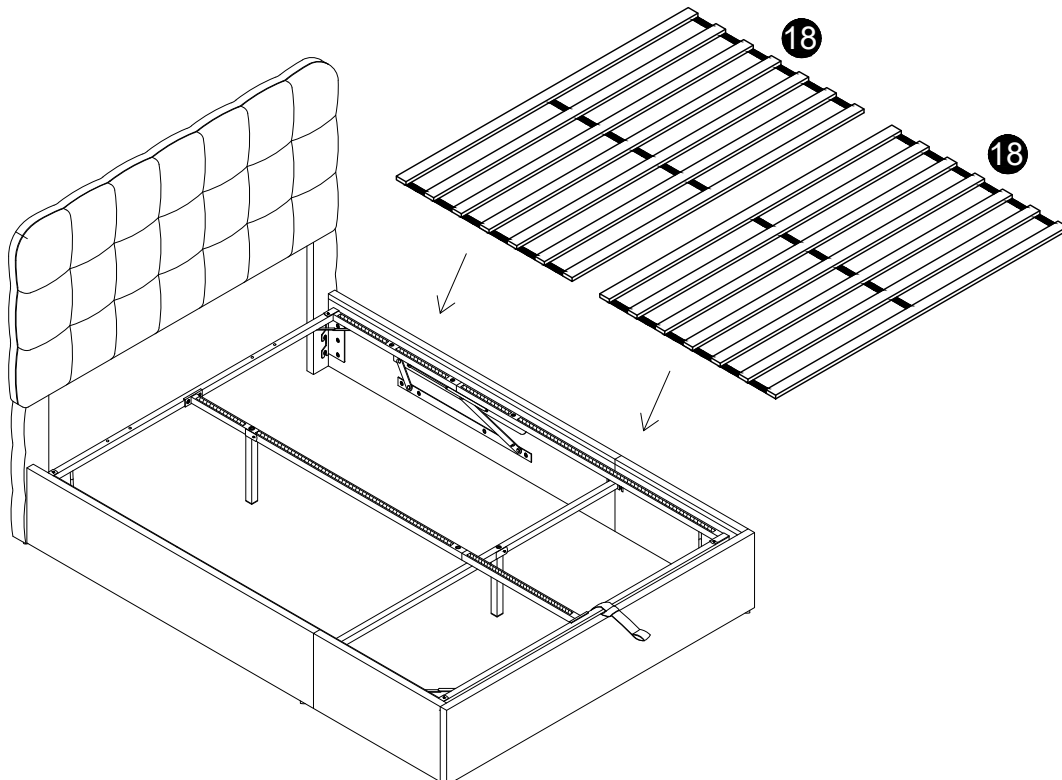
Please take note that the support leg of part 13 should be attached near to part 10 that have four holes.

12

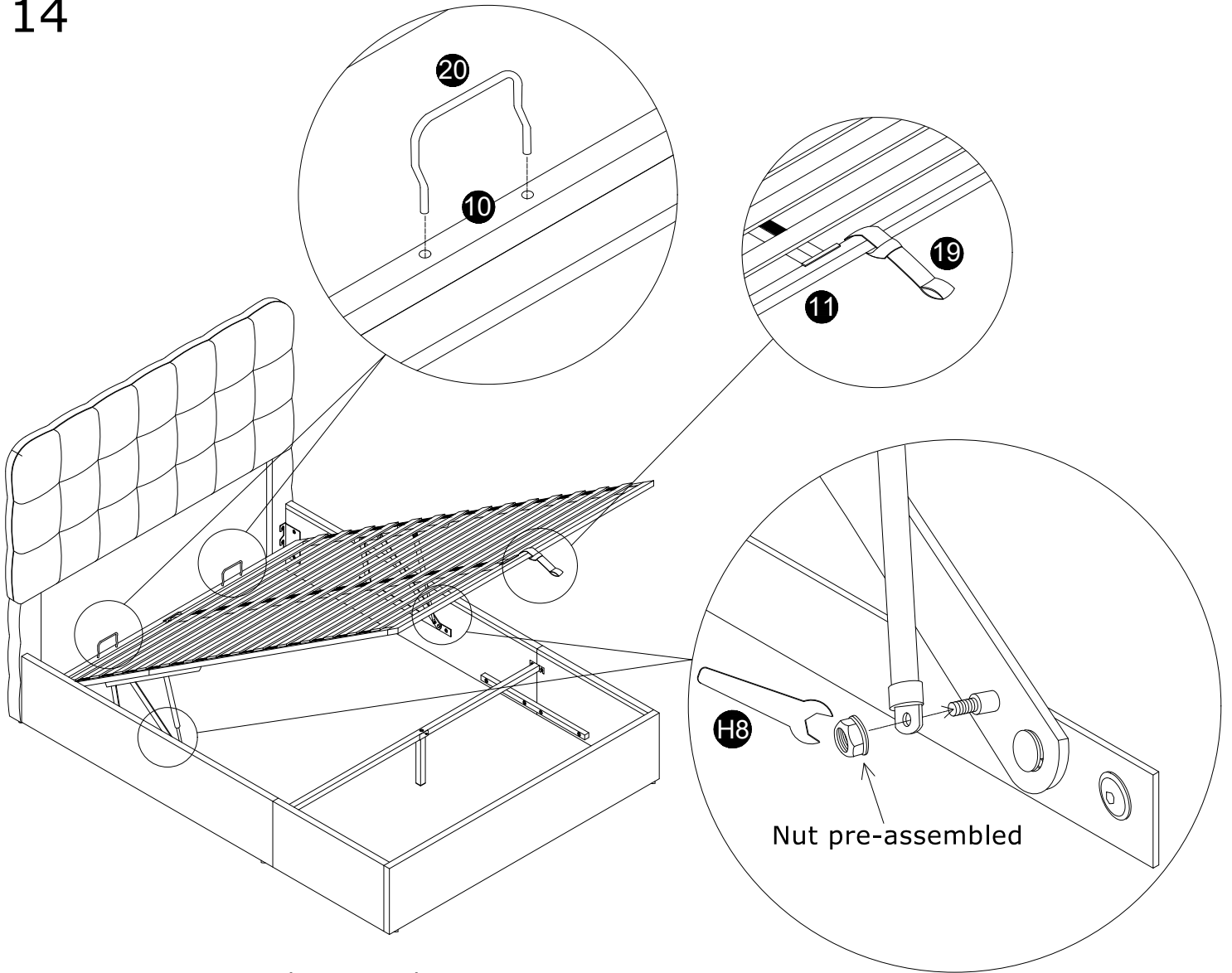


**Beware of risk of entrapment
from folding hinges!**

13

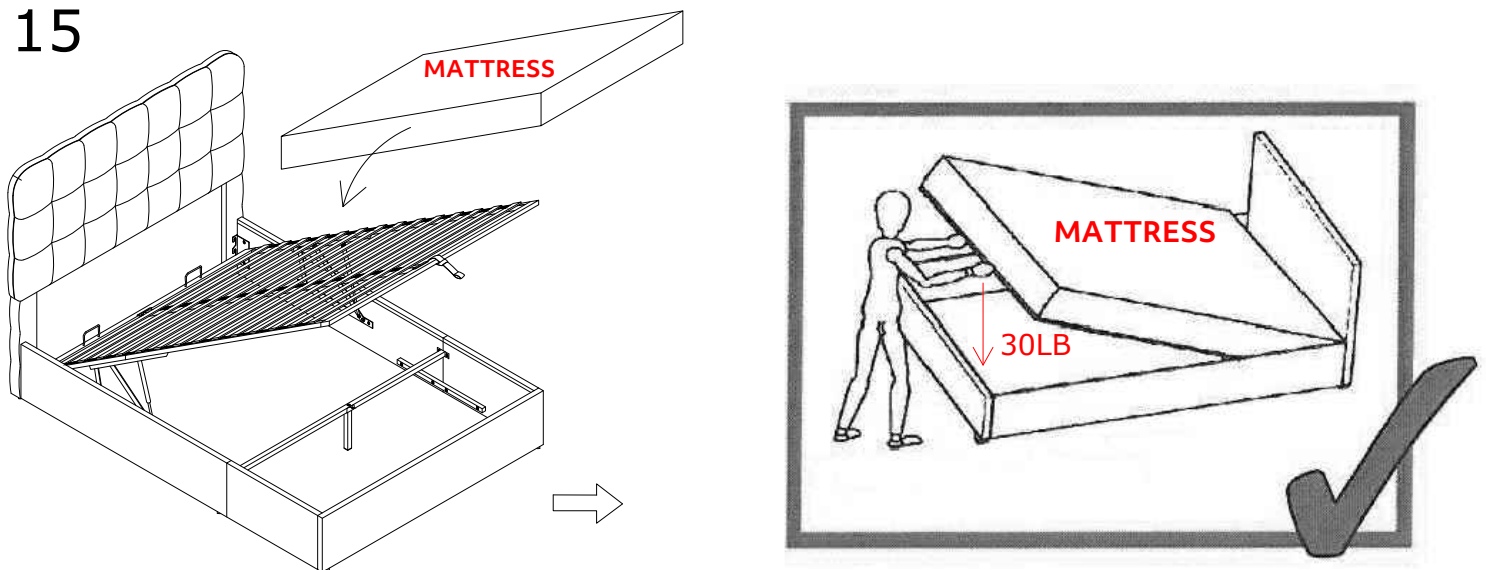


14



Important: Two people required.
Frame to be fully supported at all times!

15



 Place the mattress on frame & Carefully lower the frame down.
Keep objects/body part & children away from moving parts.