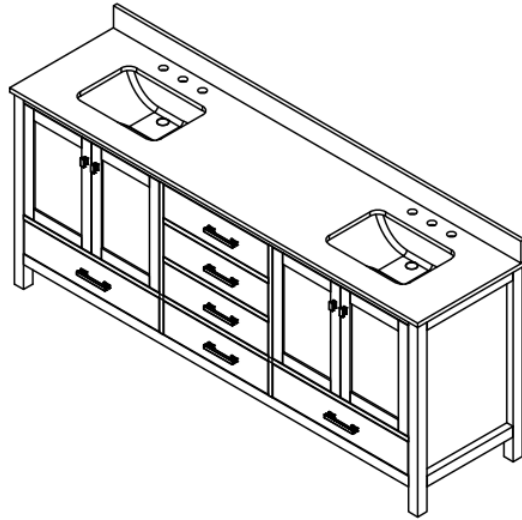


BATHROOM VANITY COLLECTION

84 INCH BATHROOM VANITY INSTALLATION MANUAL



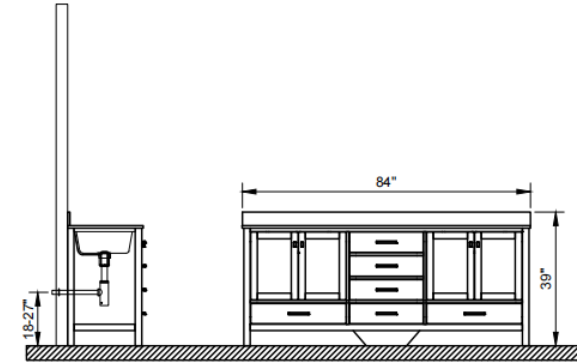
Installation Manual

1. Carefully read the instructions before starting the Installation.
2. This vanity should be installed by an experienced Plumber.
3. Drain pipe and drain trap are not supplied. Connect to an existing drain pipe.

PARTS LIST

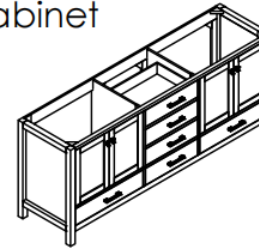
Prior to installation, please check the items you have received against the packing list. Report any missing items to your local dealer immediately.

Protect all surfaces from sharp objects, high heat sources, direct prolonged sunlight and chemical hazards.

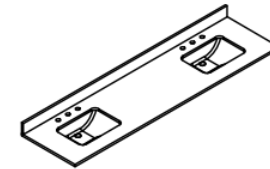


Professional installation is recommended.

Cabinet



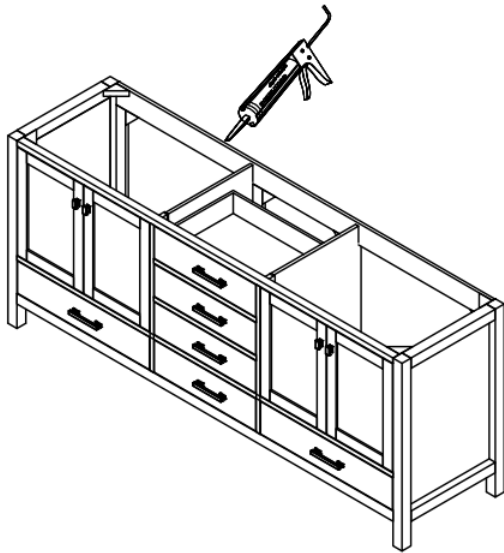
Top



REQUIRED TOOLS (not supplied)

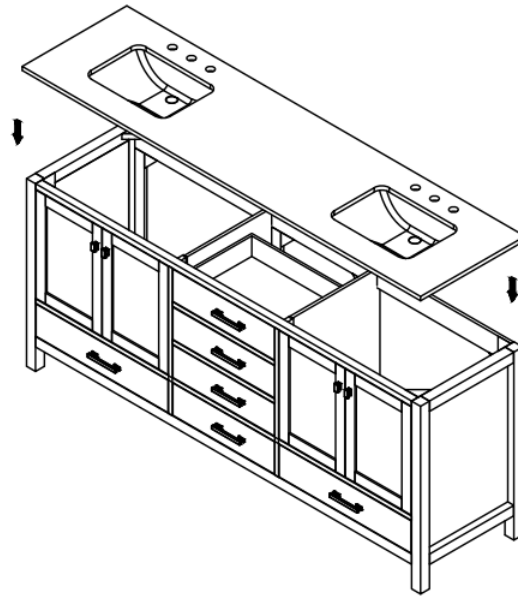


Top installation



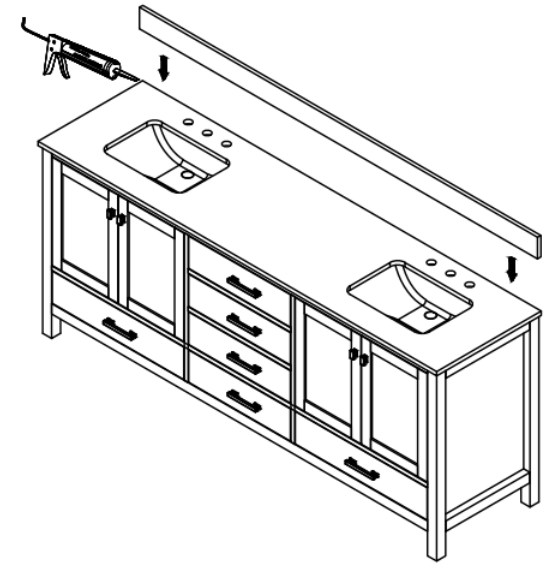
Apply adhesive around the top edges of the cabinet

STEP 1



Carefully place the top over the cabinet

STEP 2



Align and center

STEP 3

INSTALLATION INSTRUCTIONS

STEP 4: Adjustable Level

4. In case of uneven floors, floor levelers are provided at the bottom of the vanity. If necessary, adjust floor levelers by hand to correct tilting and/ or level doors.

