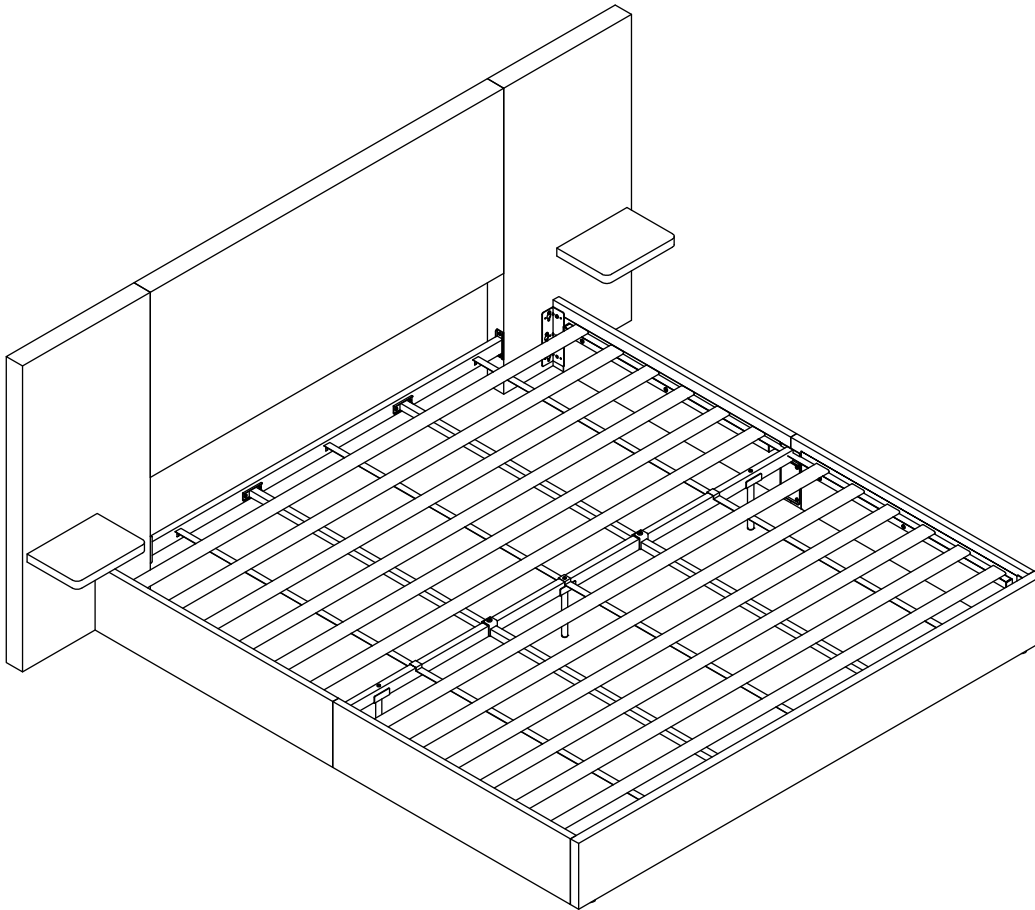


ASSEMBLY INSTRUCTIONS

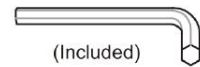
Weight Limit:
Bed: 800LBS



TOOLS REQUIRED



Screwdriver
(Not included)



(Included)

Allen Wrench



2 - People

ASSEMBLY RATING



EASY —————> DIFFICULT

The Assembly Rating is a 5-point system showing the level of effort needed to assemble a specific product.

Thank you for your purchase!

We hope you enjoy this new addition to your home for many years to come.

Our commitment to providing quality products does not simply end when you purchase our product. We fully stand behind our products from start to finish. Our customer service department can help with assembly questions as well as, if necessary, replacing damaged or missing parts. To help expedite our service, please have these assembly instructions readily available, along with your order receipt.



CHECK BEFORE STARTING

Are you missing anything?

Double-check all parts, hardware and accessories listed are all accounted for.

Check out our Quick Tips!

We recommend reviewing the pre-assembly handouts. Even experts need a refresher now and then!

Should we send any replacements?

Are there any irregularities or flaws in the parts? We can send replacements!

Prep Time!

Please review the assembly instructions and all diagrams prior to assembling.

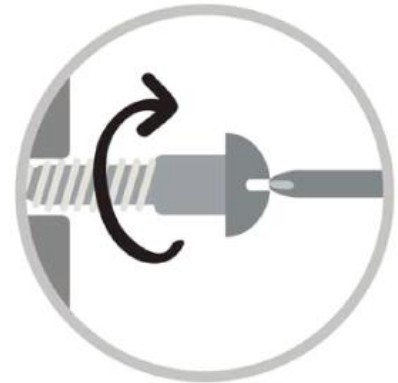
ASSEMBLY AND CARE ADVICE



FAILURE TO FOLLOW THE GUIDELINES BELOW MAY RESULT IN INJURY AND/OR PROPERTY DAMAGE.



Position each part correctly and insert screws or bolts into their respective holes.



Turn clockwise to tighten and only tighten when step is completed or when instructed to do so.



Use the appropriate hand tools or power tools for assembly. Select steps, such as tightening screws and/or bolts, may require hand tools to avoid causing damage during assembly.



Save the instructions and store any supplied tools for later maintenance.



After two weeks, check and tighten any loose hardware and repeat again every six months thereafter.

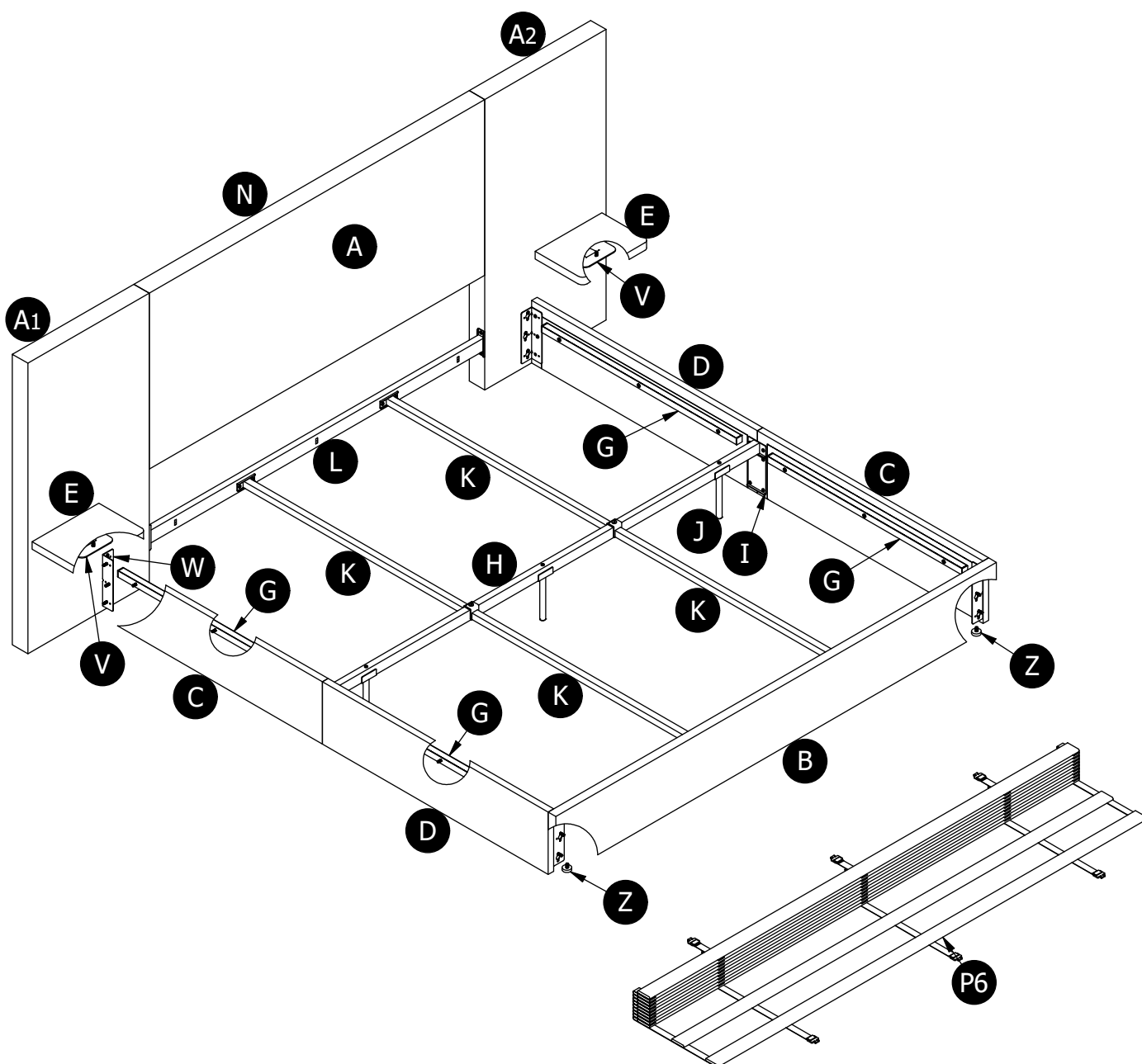
IT IS THE USER'S RESPONSIBILITY TO MAINTAIN THE FURNITURE. THE HARDWARE MAY LOOSEN OVER TIME AND MAY CAUSE THE FURNITURE TO BE WOBBLY AND UNABLE TO SUPPORT ITS INTENDED WEIGHT CAPACITY. THIS MAY LEAD TO COLLAPSE AND MAY CAUSE SERIOUS INJURY.

BED



- Please keep instructions for future reference.
- Check the quantity and irregularity of parts and hardware before you start.

PARTS



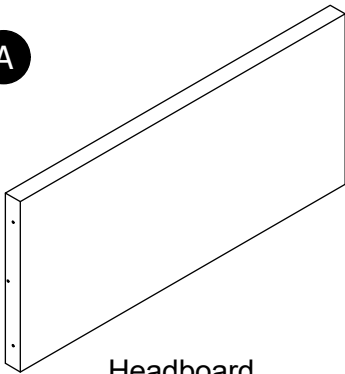
BED



- Please keep instructions for future reference.
- Check the quantity and irregularity of parts and hardware before you start.

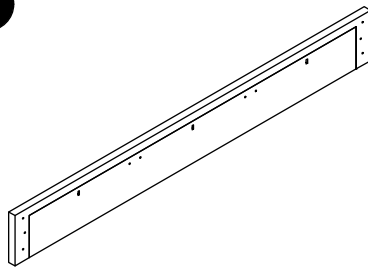
PARTS

A



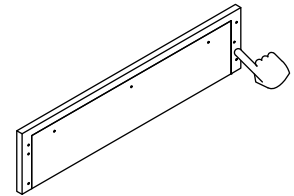
Headboard
1pc.

B



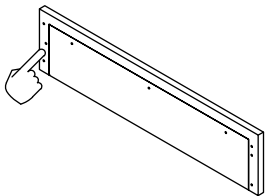
Footboard
1pc.

C



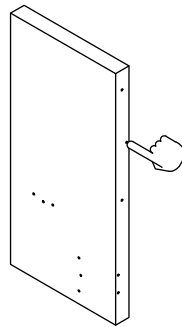
Side Panel
2pcs.

D



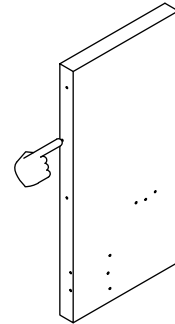
Side Panel
2pcs.

A1



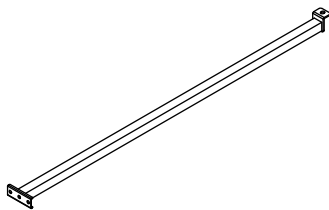
Side Board
1pc.

A2



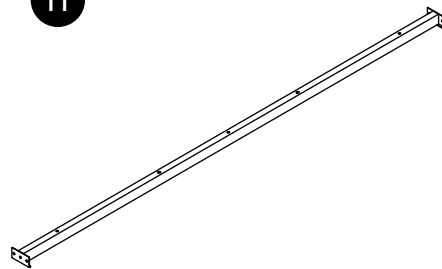
Side Board
1pc.

K



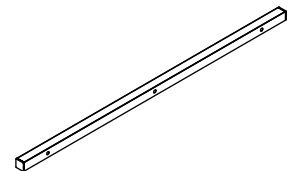
Center Rail
4pcs.

H



Cross Brace
1pc.

G



Side Rail
4pcs.

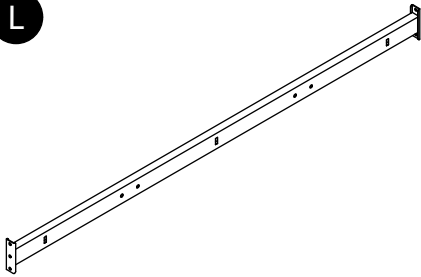
BED



- Please keep instructions for future reference.
- Check the quantity and irregularity of parts and hardware before you start.

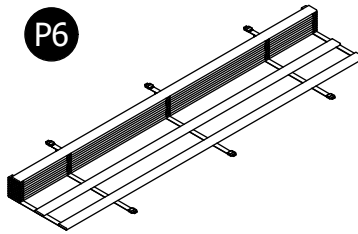
PARTS

L



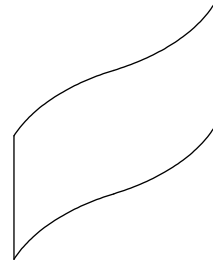
End Rail
1pc.

P6



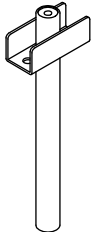
Wooden Slats
1pc.

N



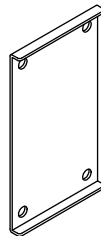
Back Cover
1pc.

J



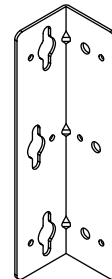
Support Leg
3pcs.

I



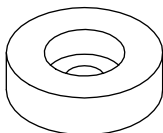
Connector
2pcs.

W



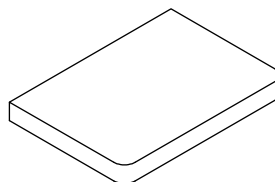
Bracket
4pcs.

Z



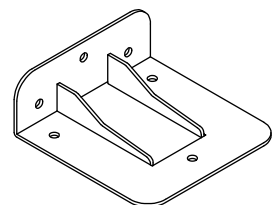
Plastic Leg
6pcs.

E



Self
2pcs.

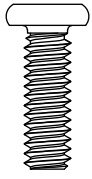
V



Bracket
2pcs.

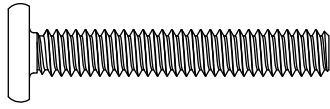
HARDWARE

1



1/4" X 19mm
75pcs.

2



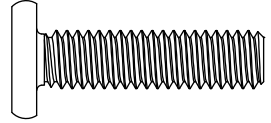
1/4" X 40mm
18pcs.

3



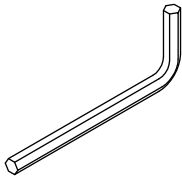
1/4"
6pcs.

4



5/16" X 30mm
2pcs.

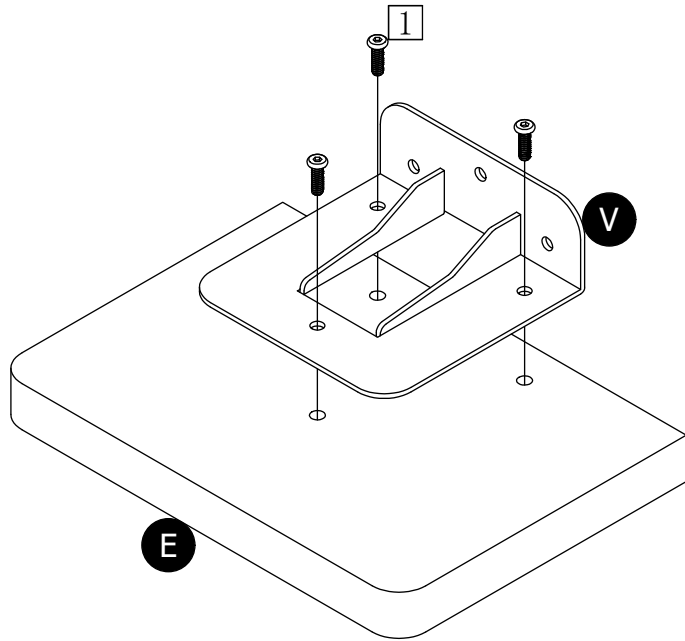
5



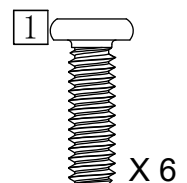
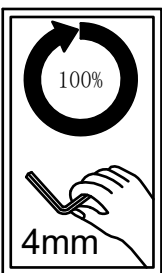
4mm Allen Key
1pc.

ASSEMBLY INSTRUCTIONS

1

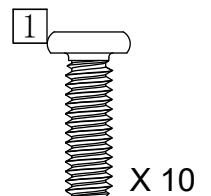
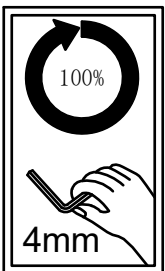
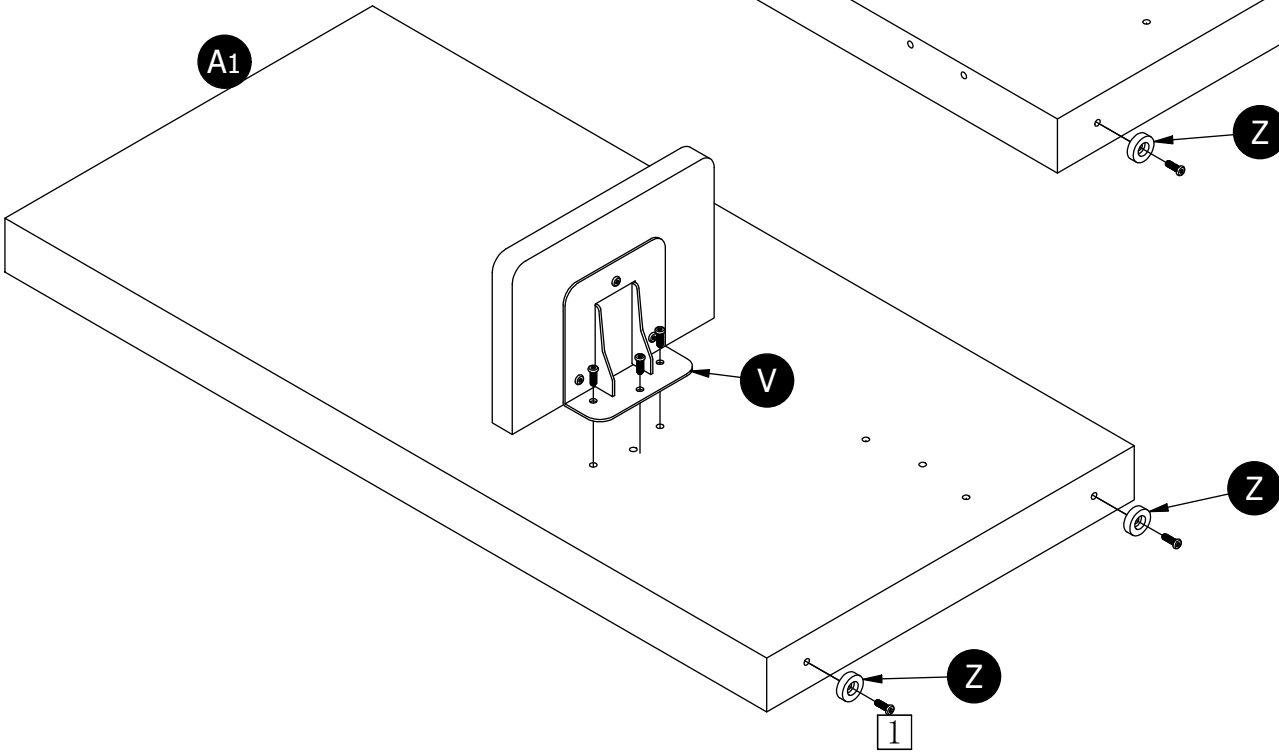
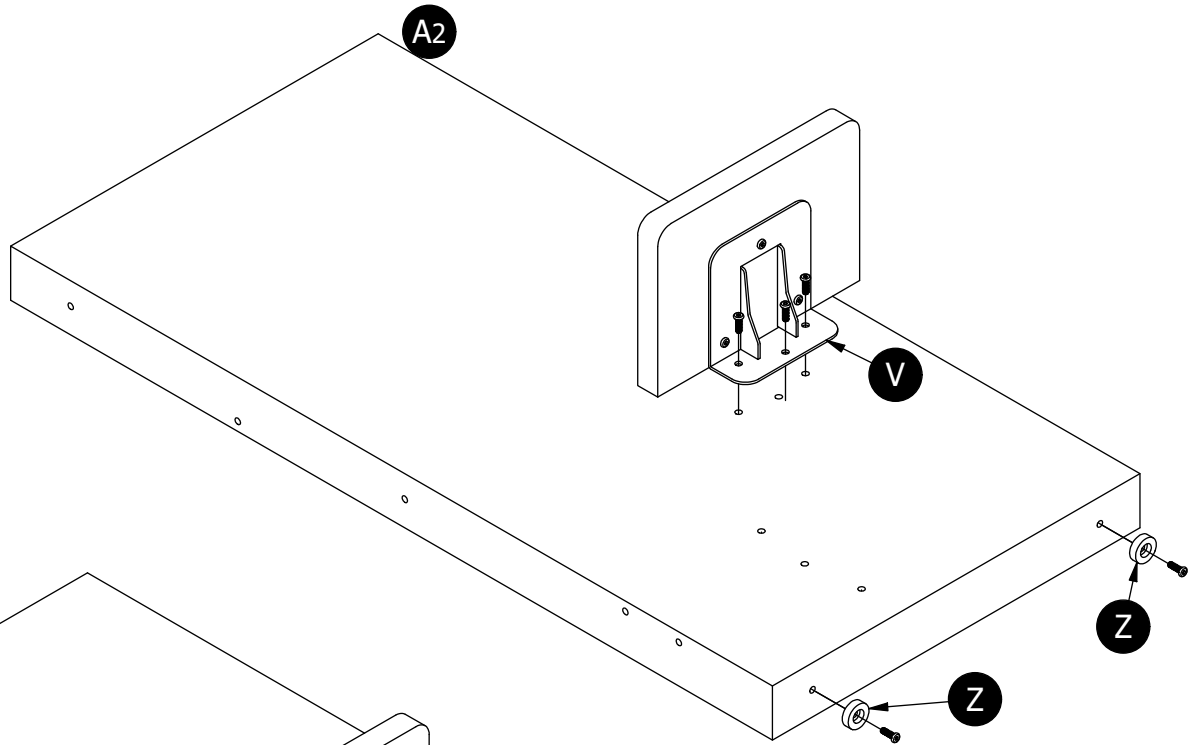


X 2



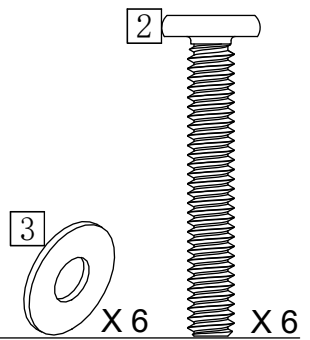
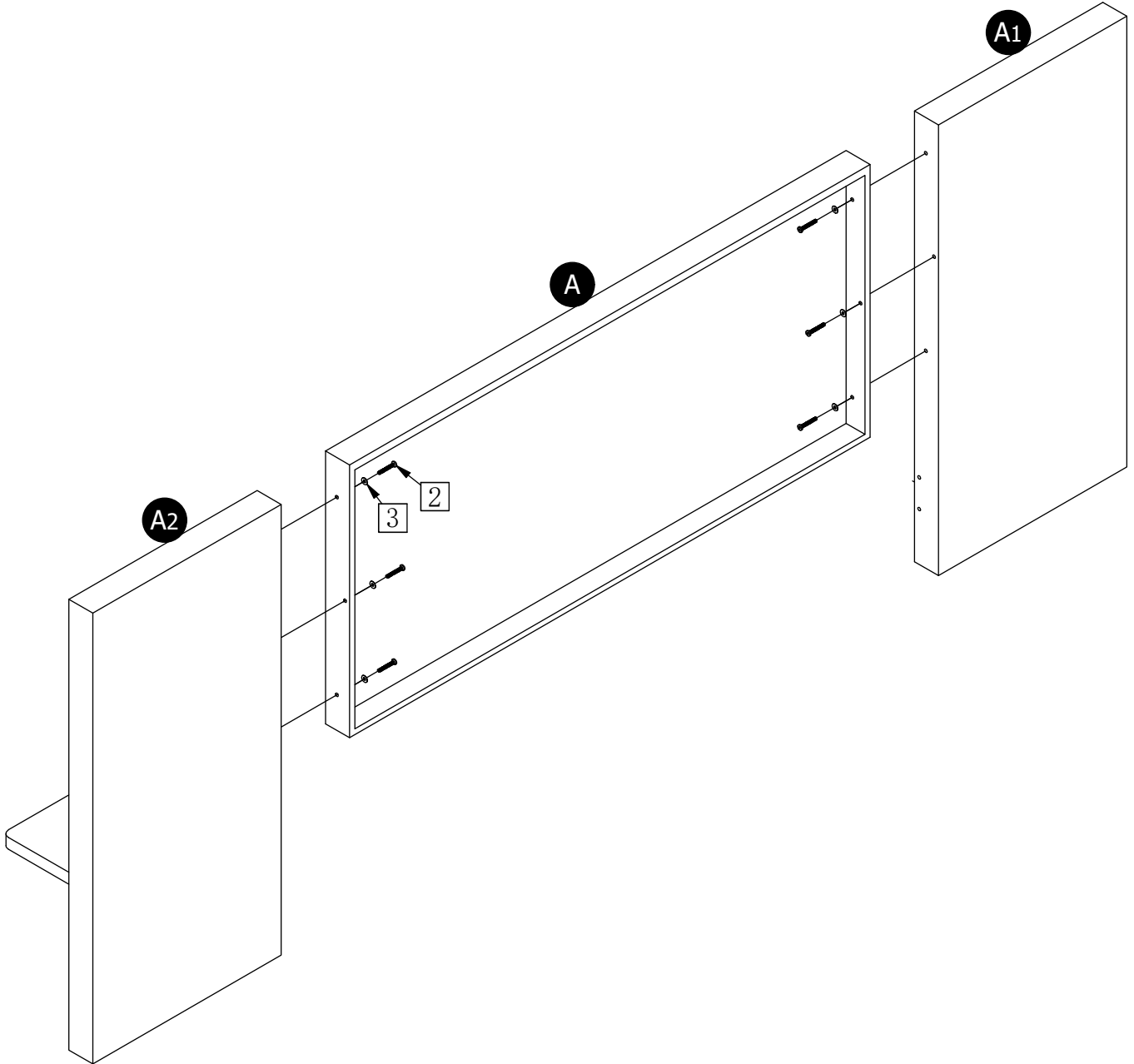
ASSEMBLY INSTRUCTIONS

2



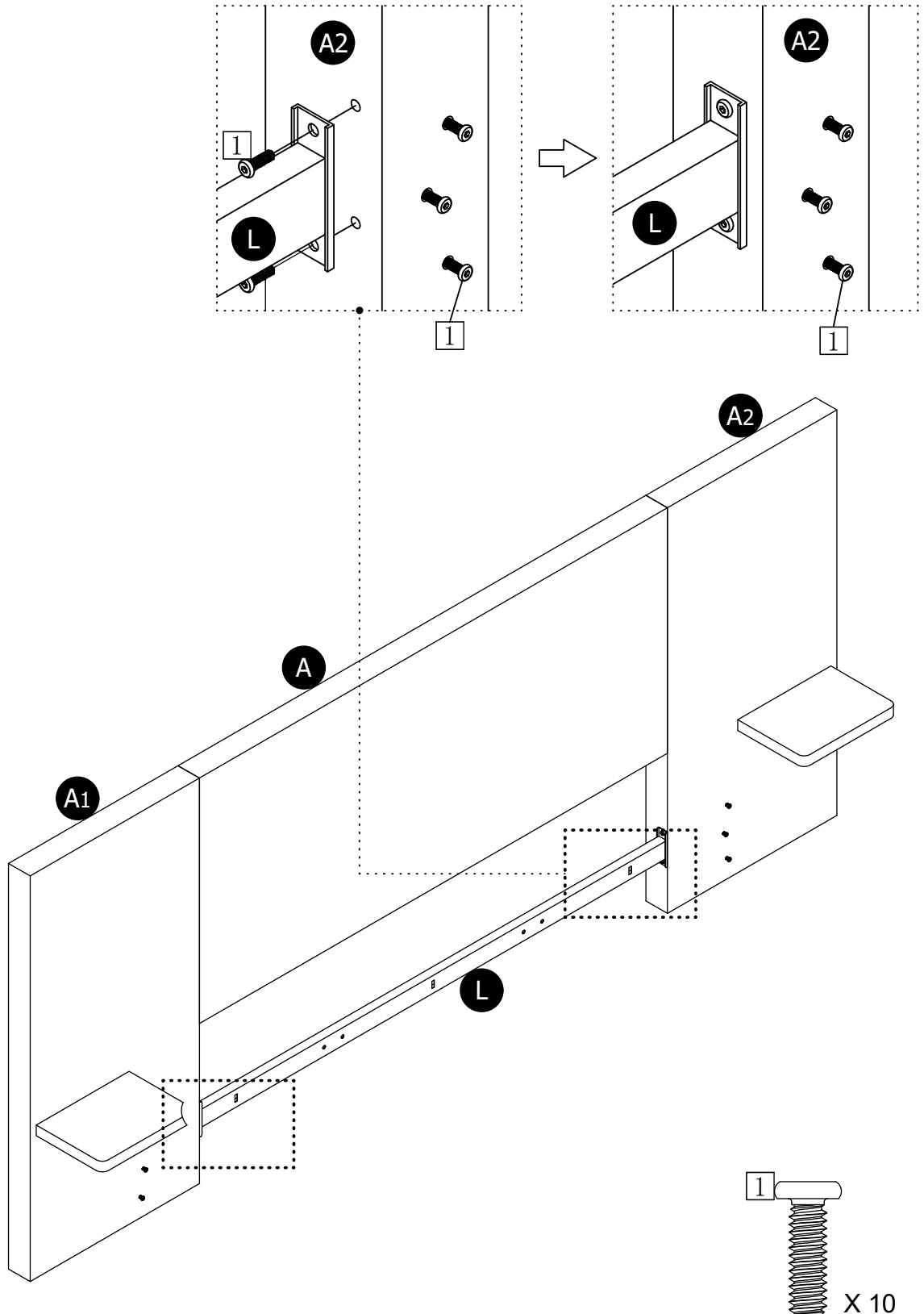
ASSEMBLY INSTRUCTIONS

3



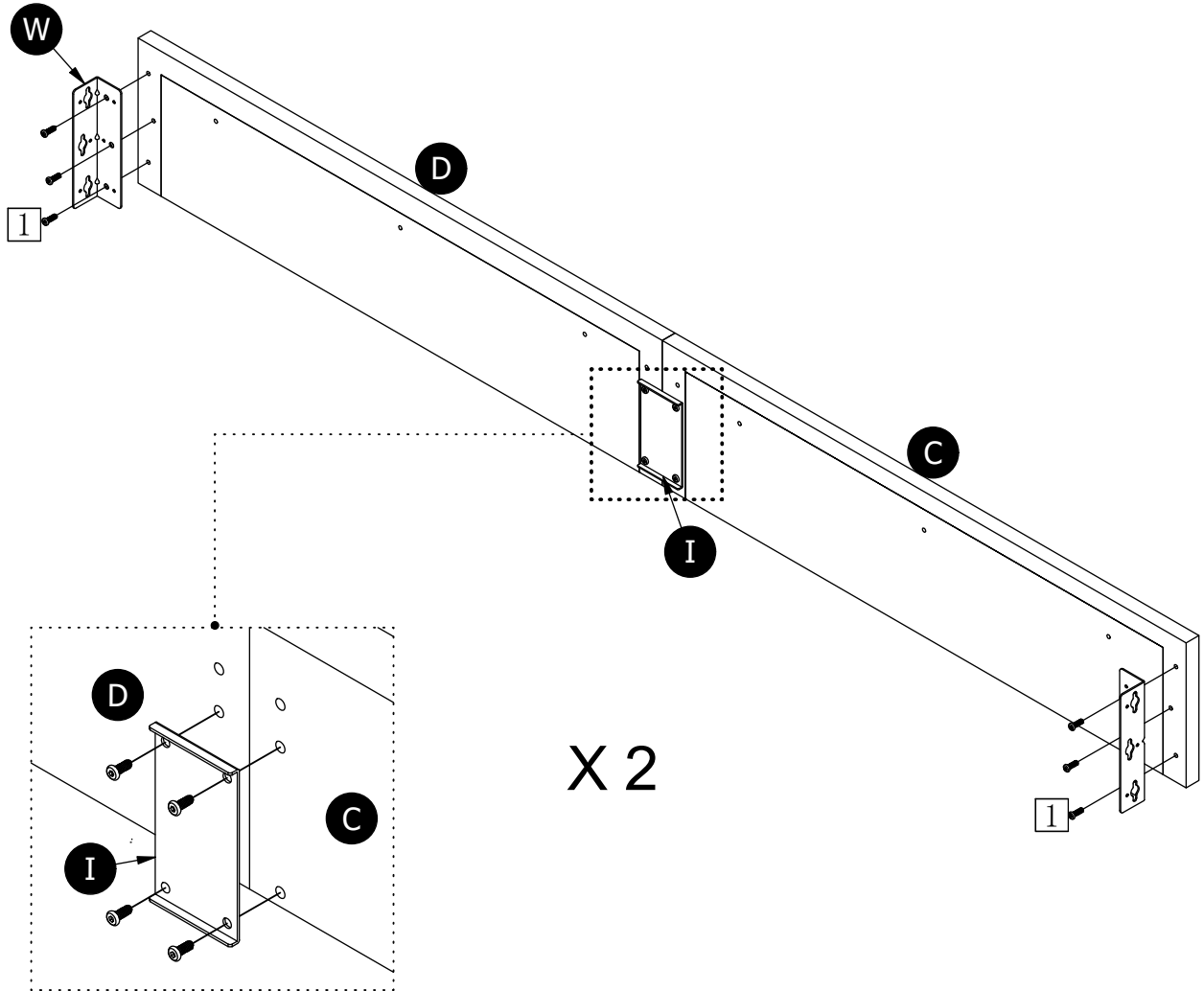
ASSEMBLY INSTRUCTIONS

4

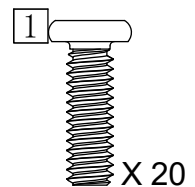
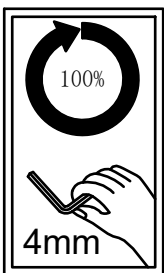


ASSEMBLY INSTRUCTIONS

5



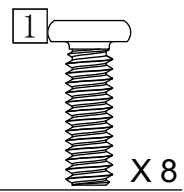
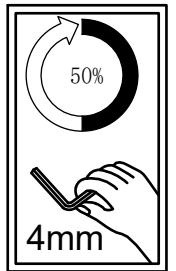
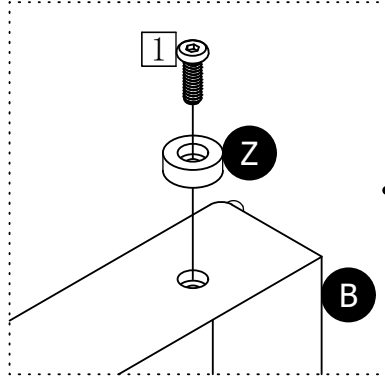
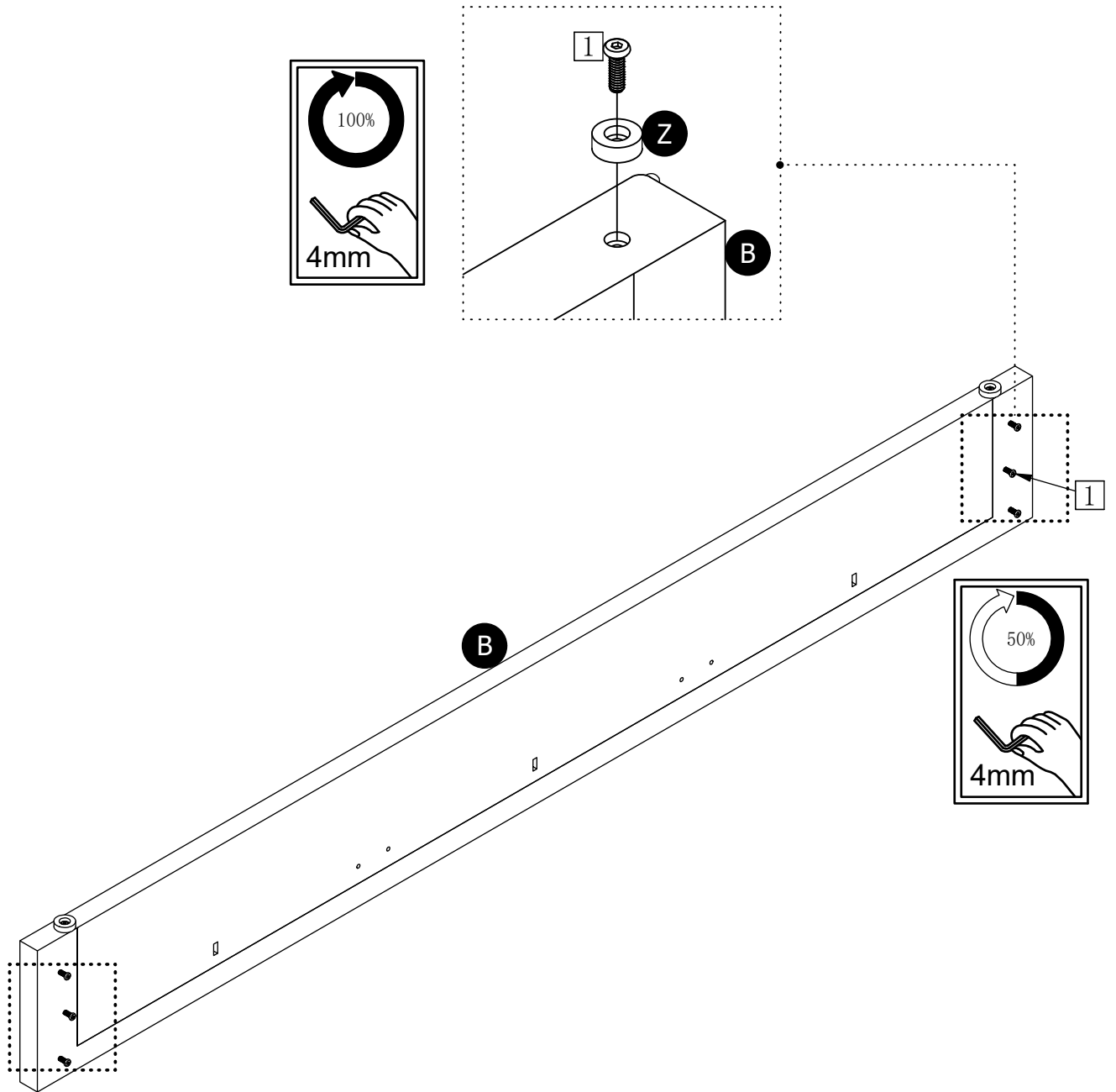
X 2



X 20

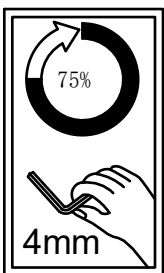
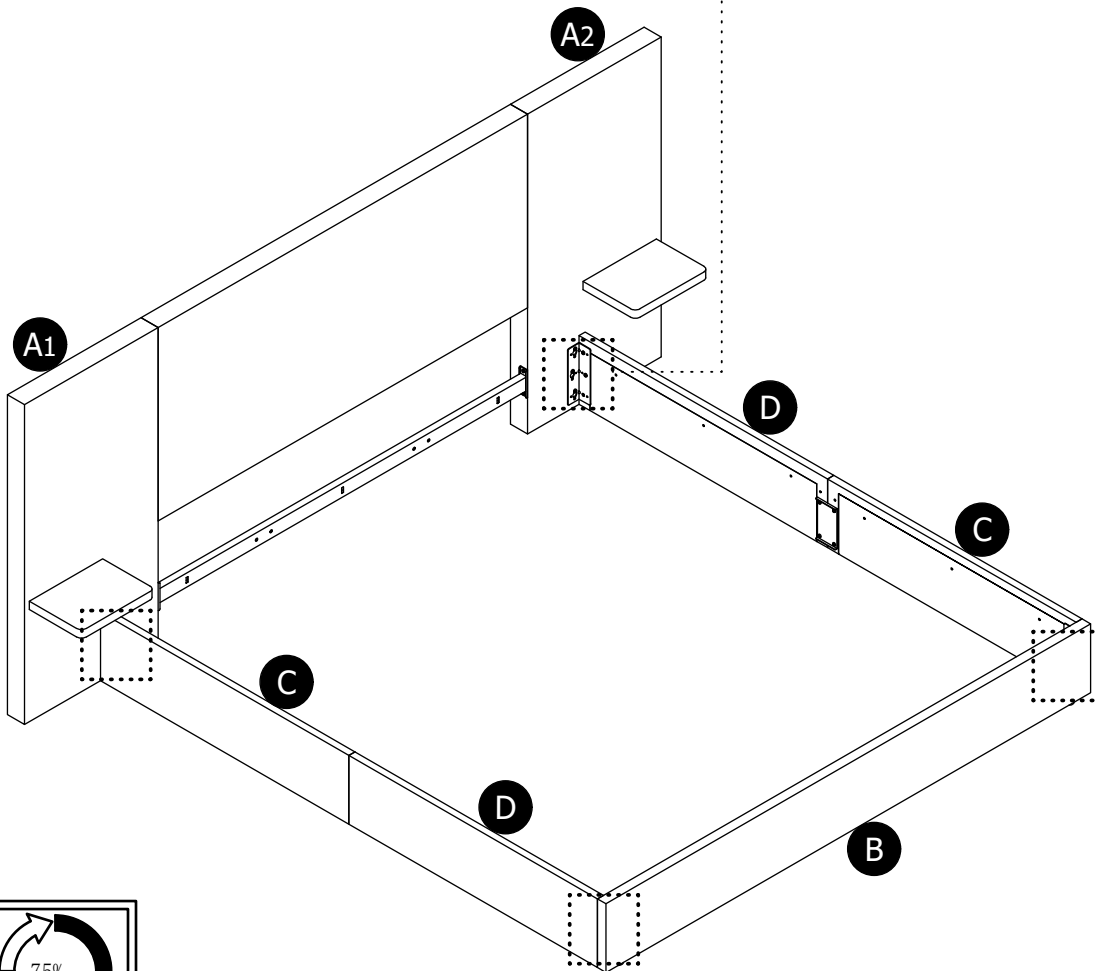
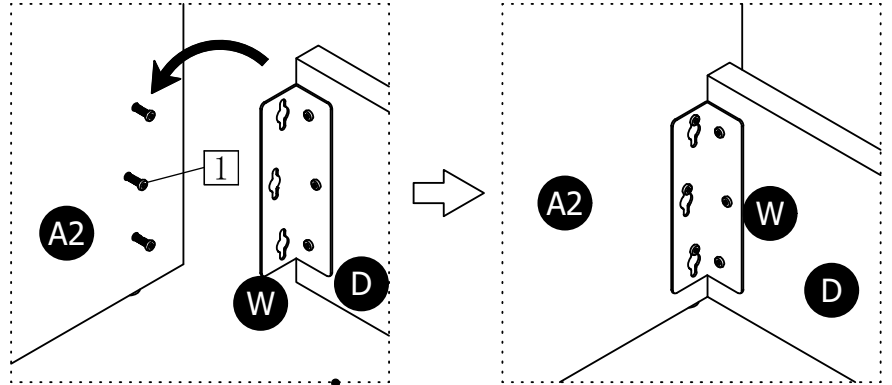
ASSEMBLY INSTRUCTIONS

6



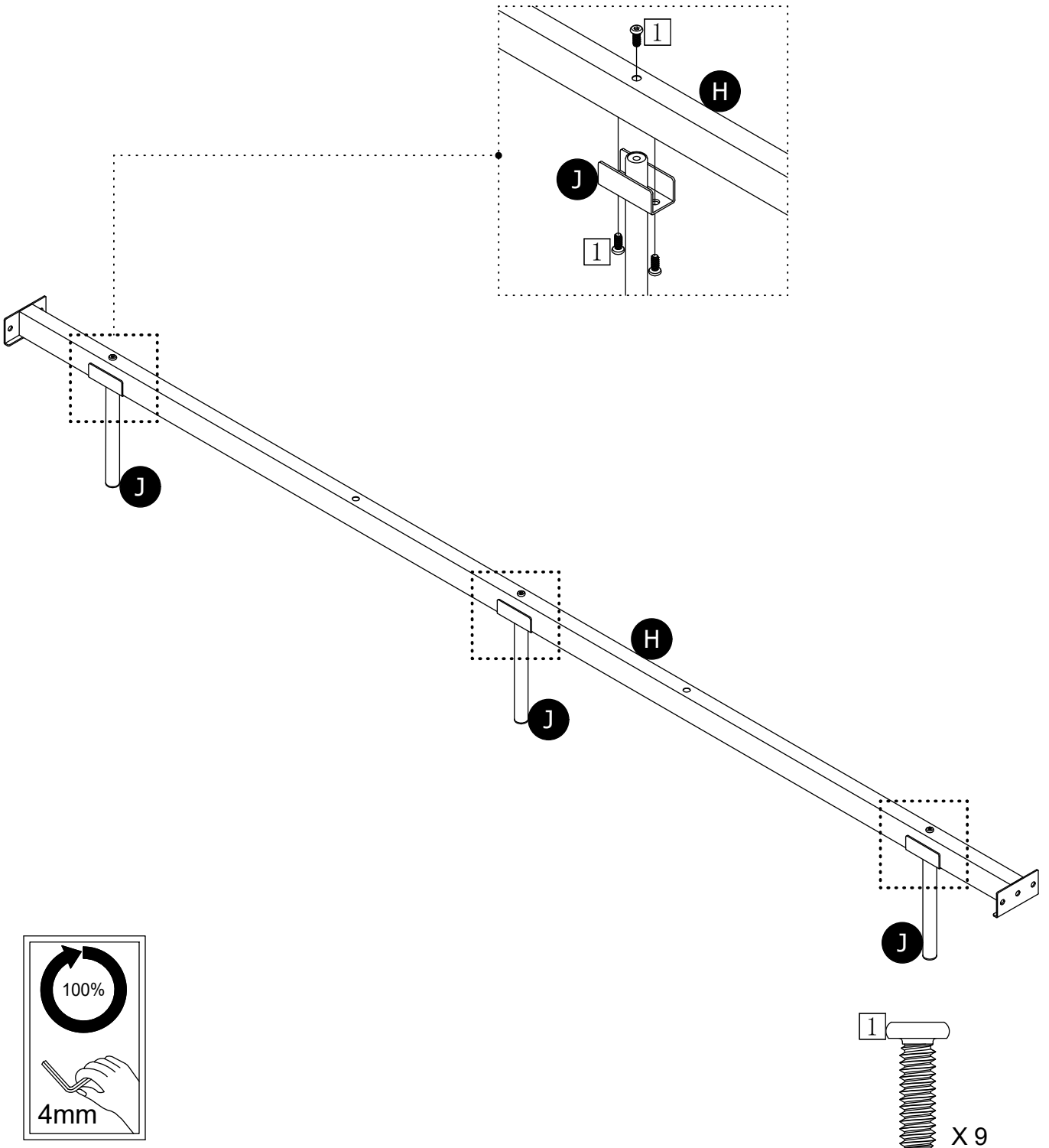
ASSEMBLY INSTRUCTIONS

7



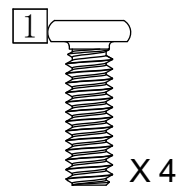
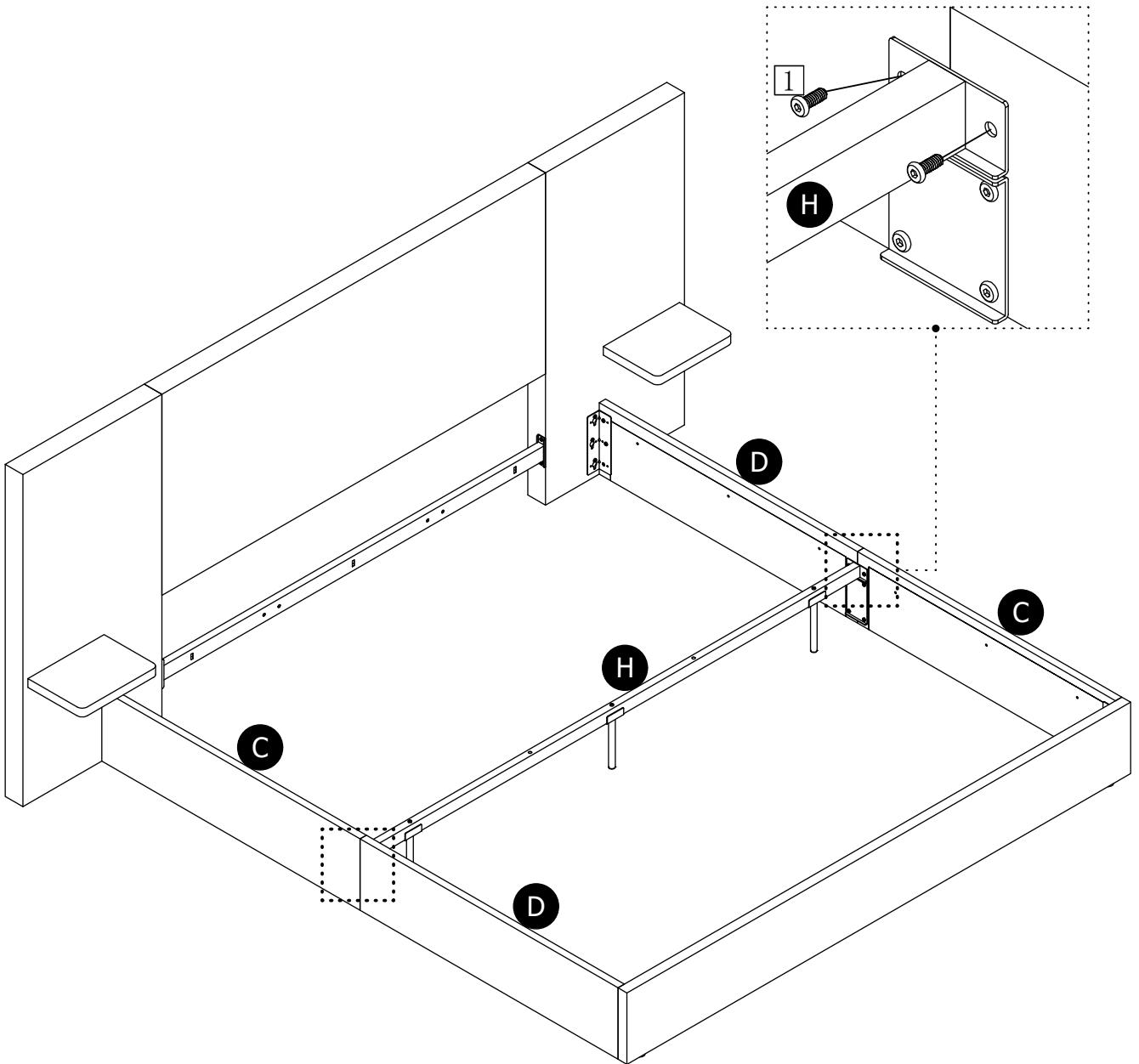
ASSEMBLY INSTRUCTIONS

8



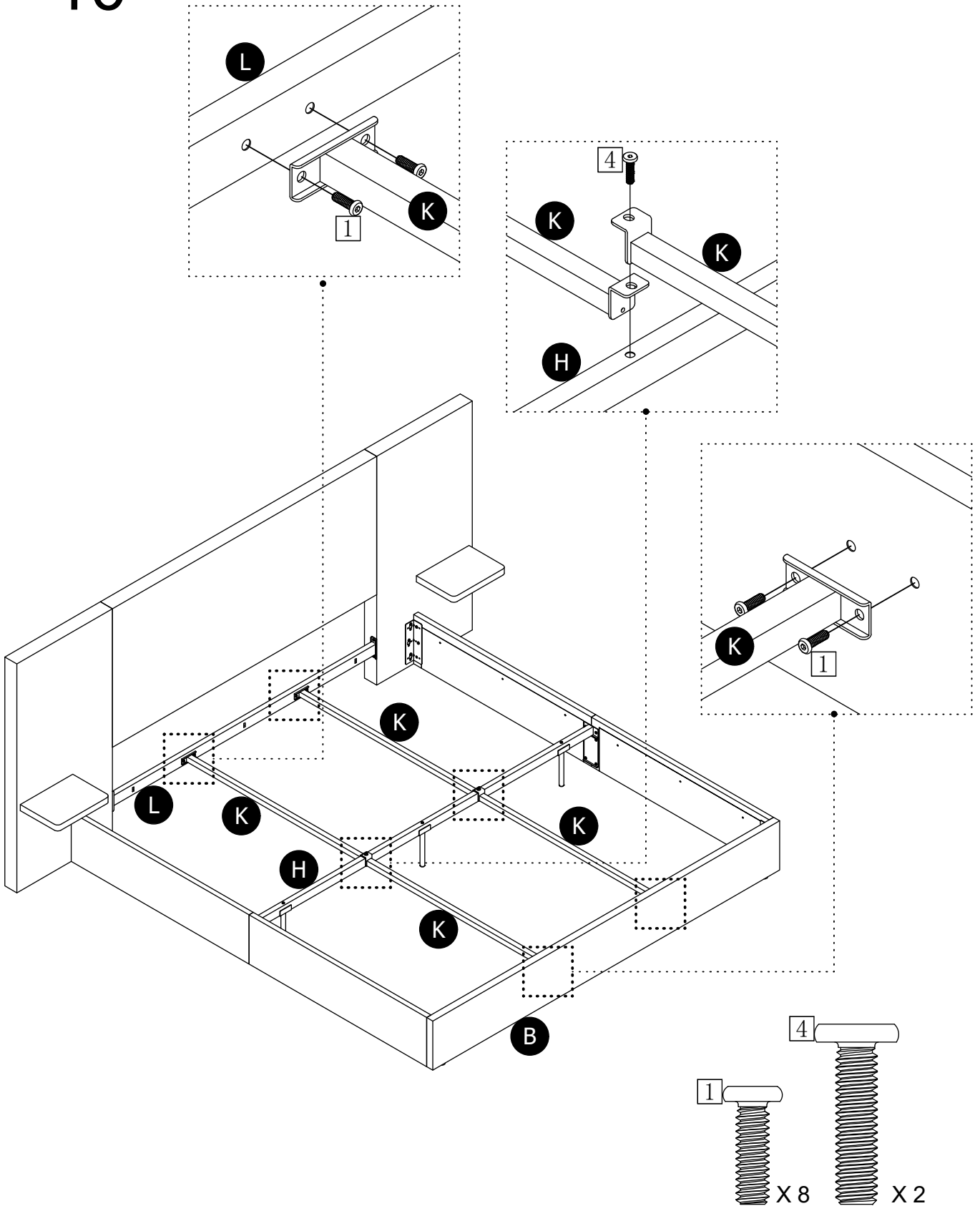
ASSEMBLY INSTRUCTIONS

9



ASSEMBLY INSTRUCTIONS

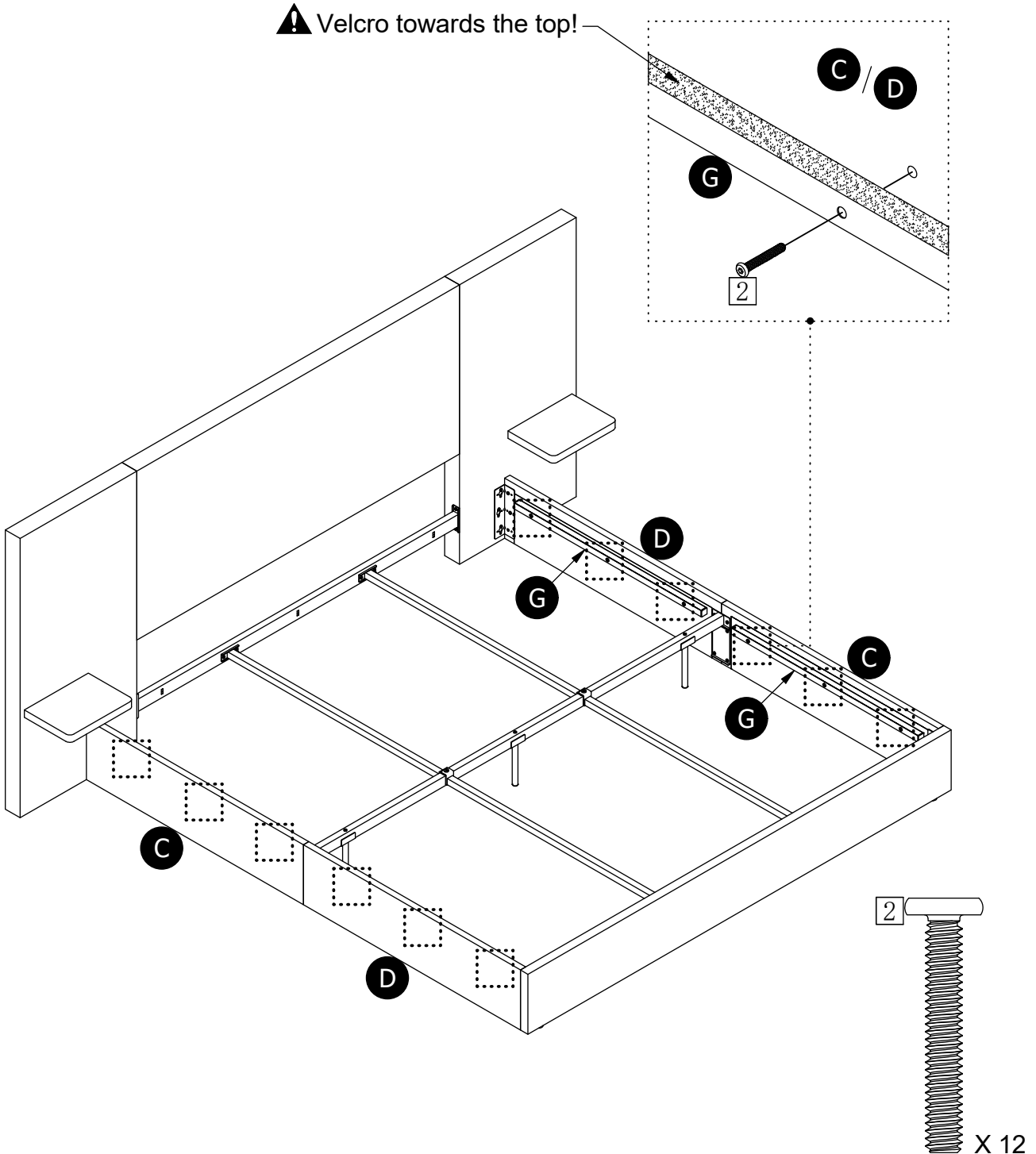
10



ASSEMBLY INSTRUCTIONS

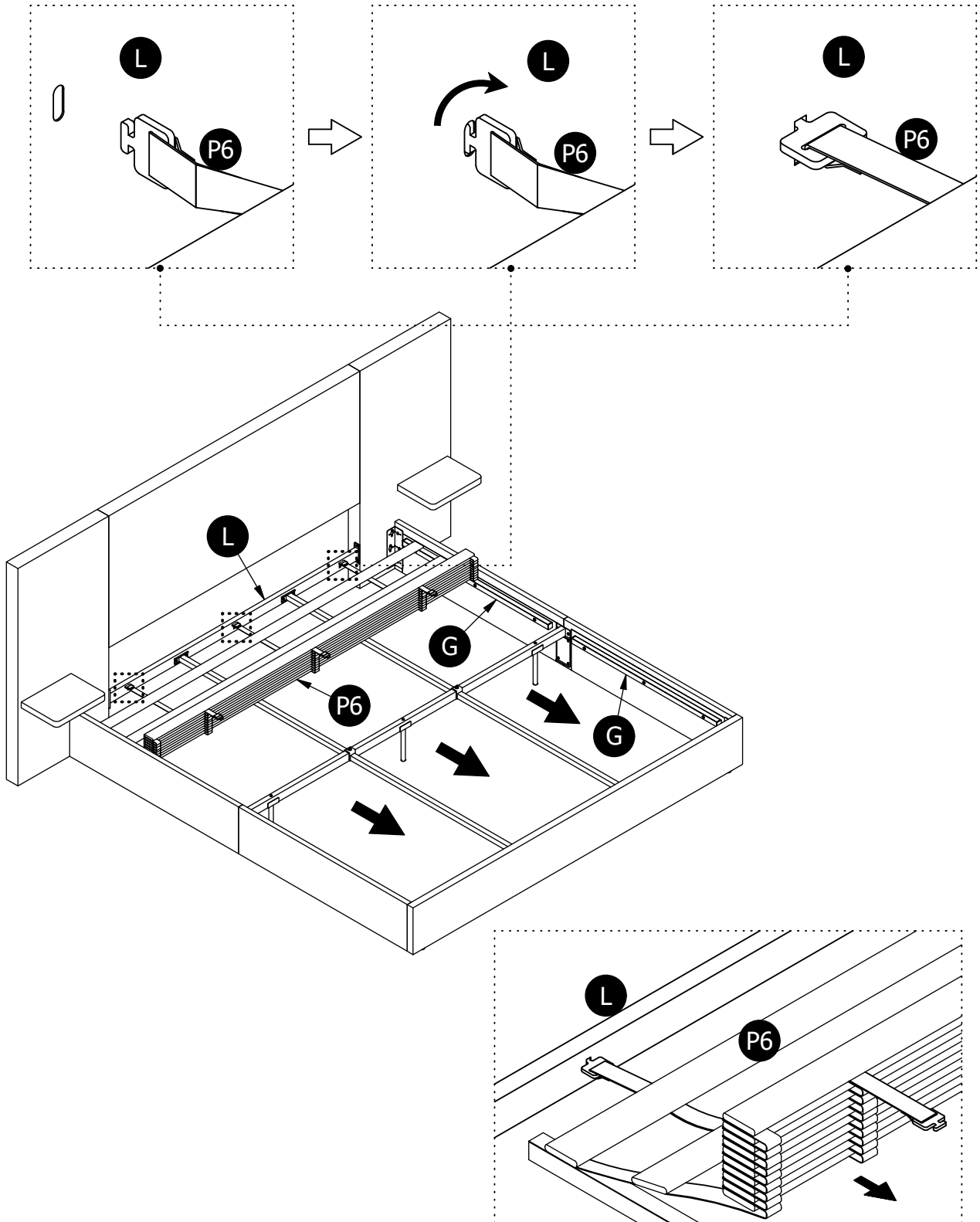
11

⚠ Velcro towards the top!



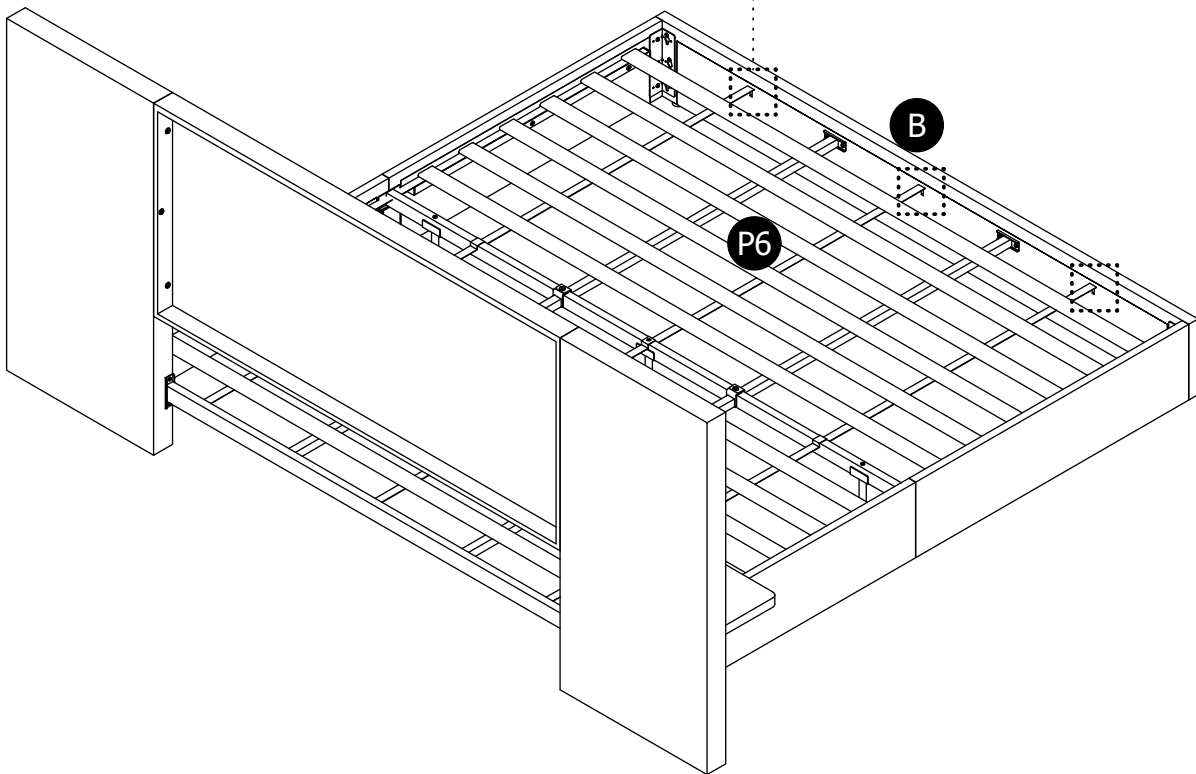
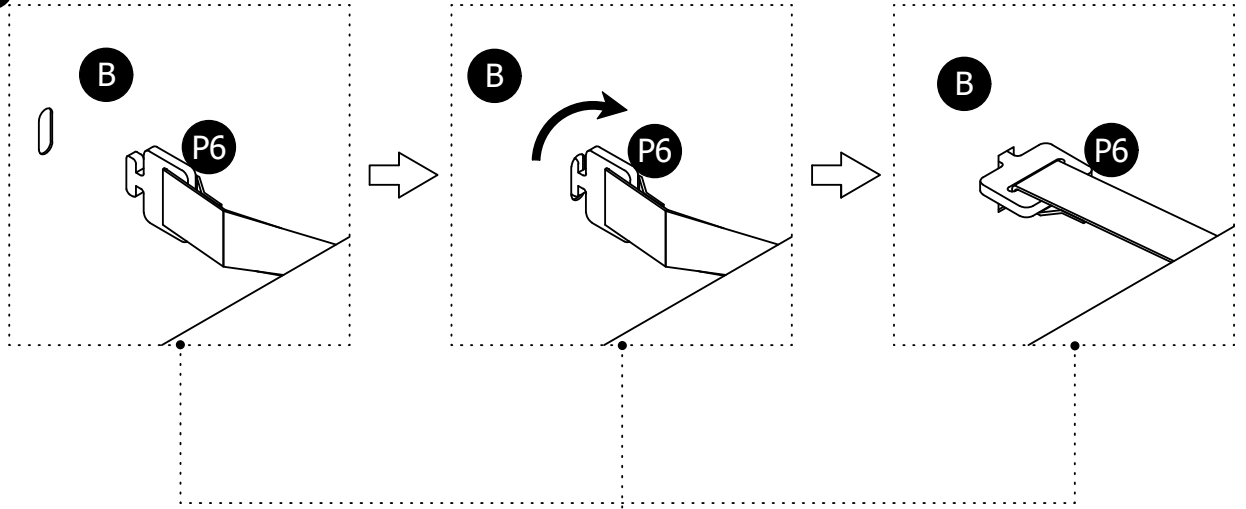
ASSEMBLY INSTRUCTIONS

12



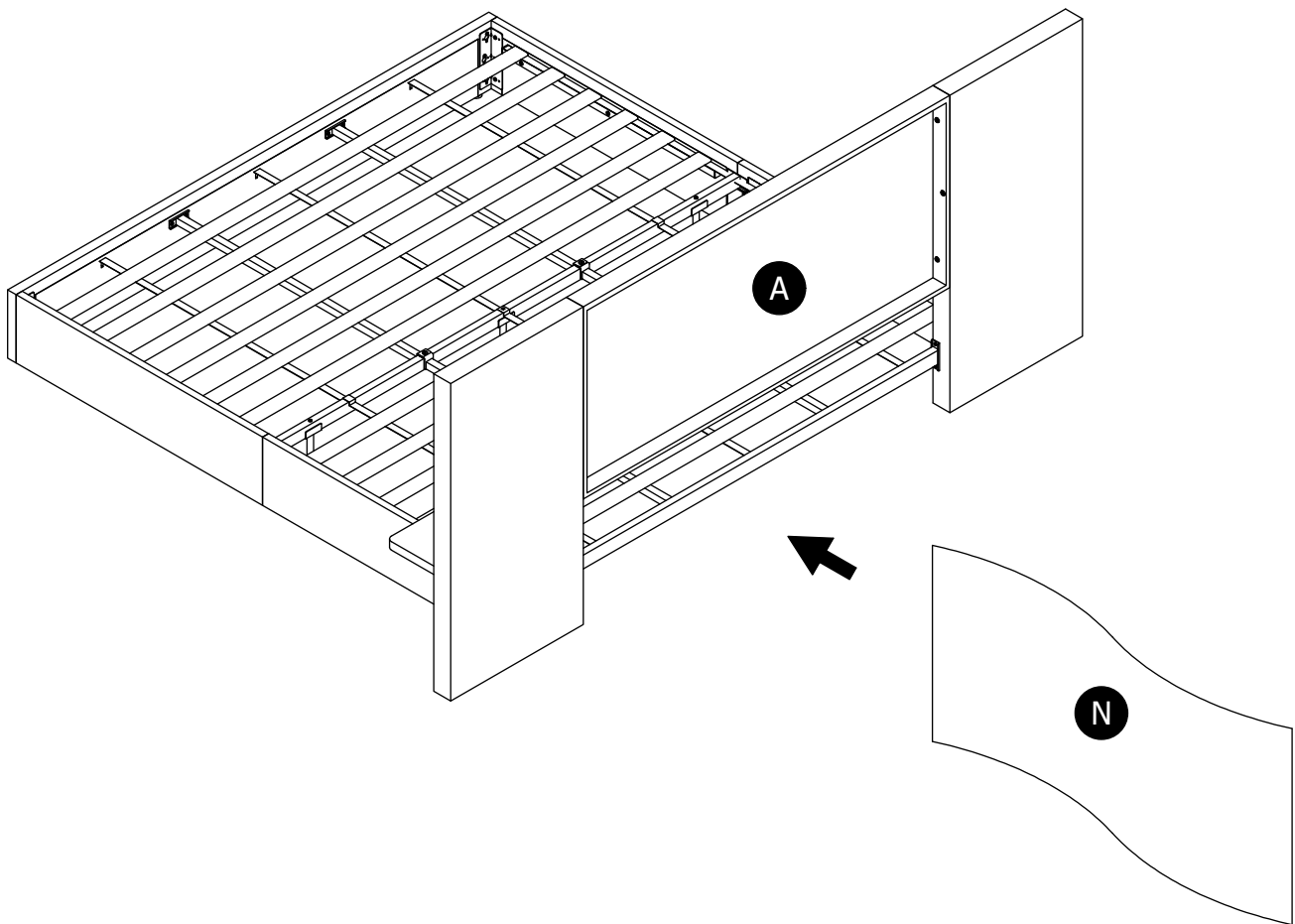
ASSEMBLY INSTRUCTIONS

13



ASSEMBLY INSTRUCTIONS

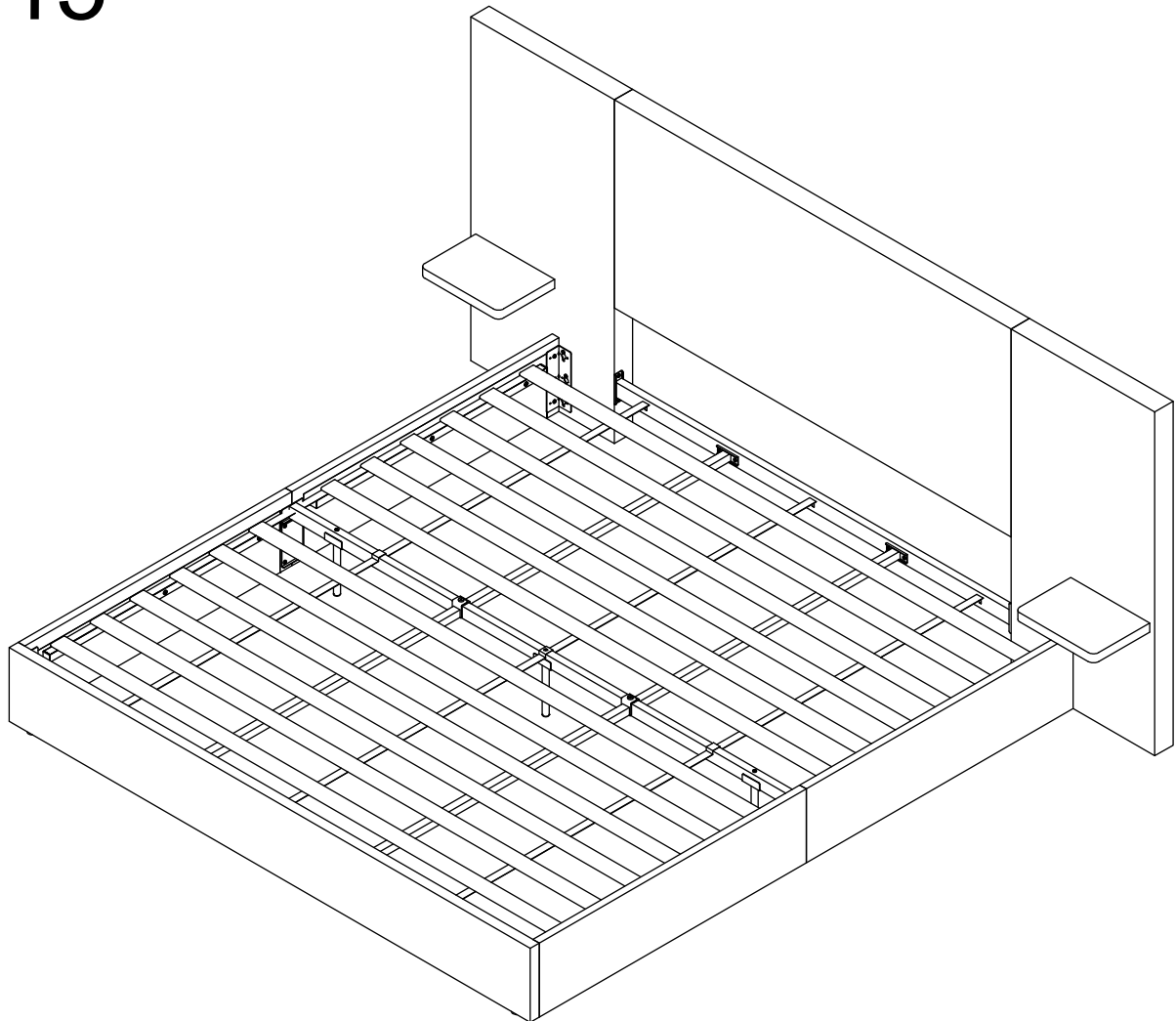
14



Stick **N** to the back of **A** with Velcro as illustrated.

ASSEMBLY INSTRUCTIONS

15



Tighten all bolts after assembly completed.

ASSEMBLY COMPLETED



Please ensure the furniture tests on an even and flat surface. If the product wobbles or feels loose, double-check all bolts and or screws are properly tightened and secured.



Keep this handy!

Please retain this instruction manual and any order-related information for future reference.



Lift, don't drag!

To avoid damage to product please always LIFT the product when transporting or adjusting the placement.

This product is intended for RESIDENTIAL USE ONLY and not for commercial use.