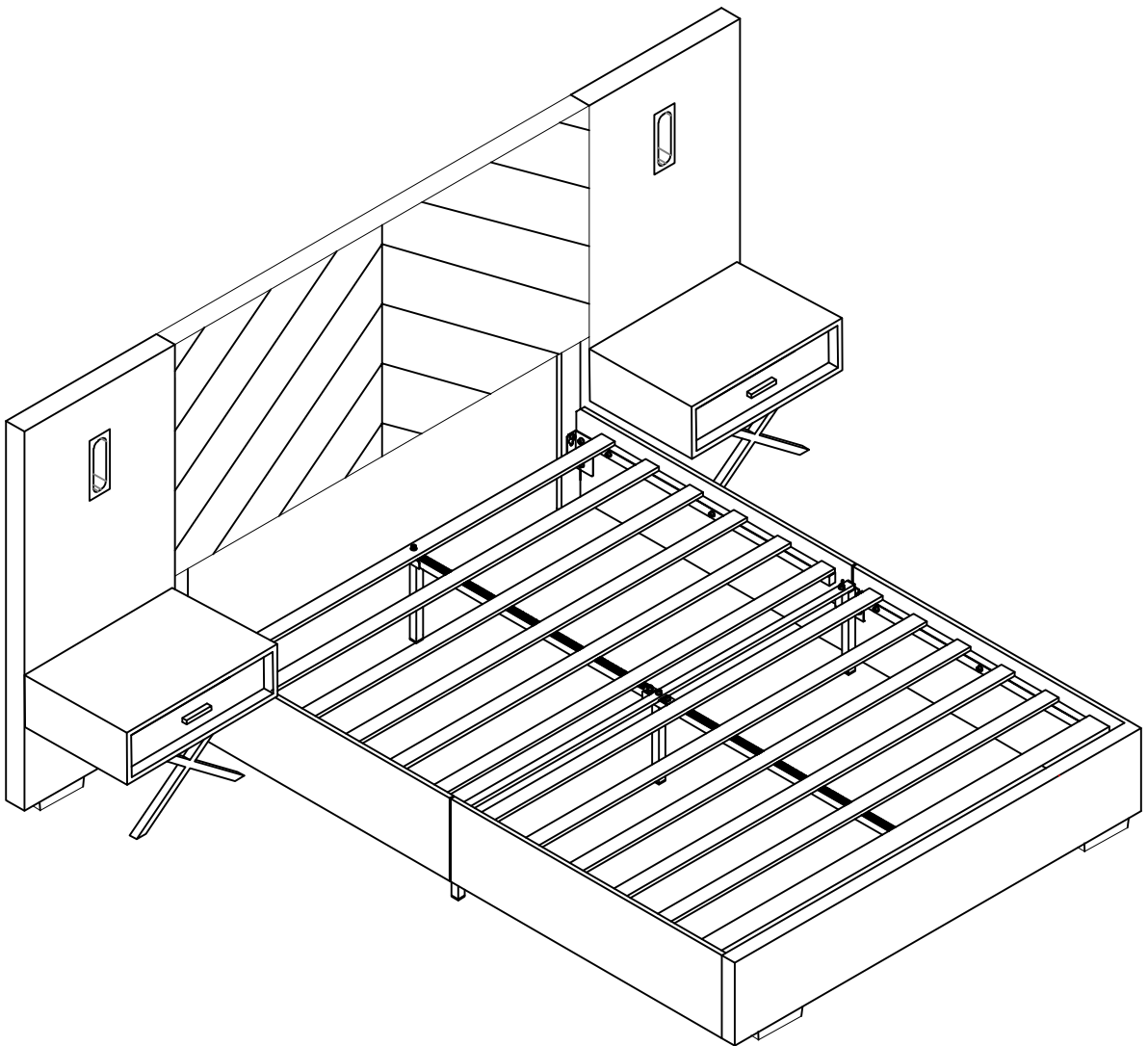


User's Manual

Bed Frame

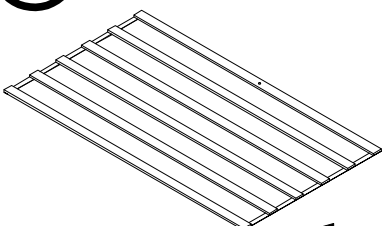
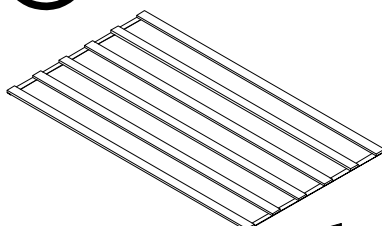
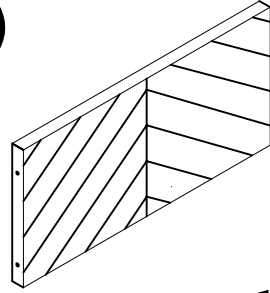
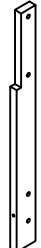

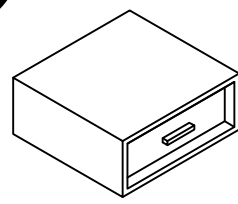
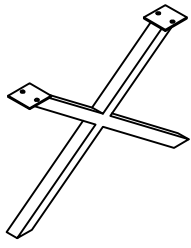
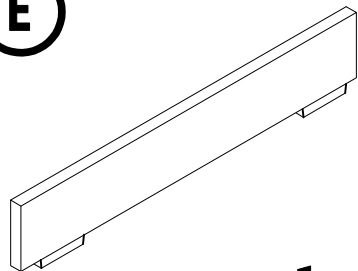
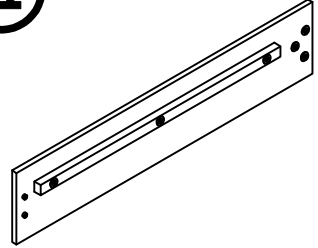
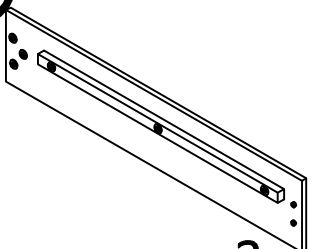
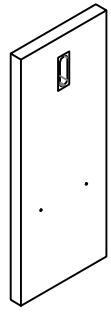
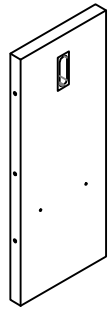
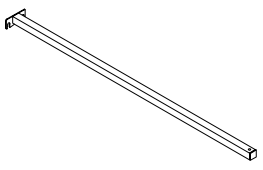
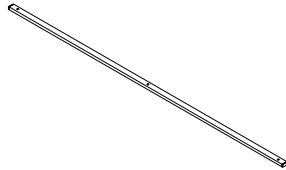
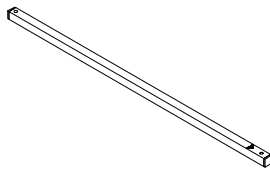


057-Q

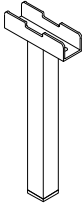
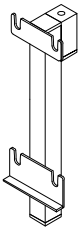

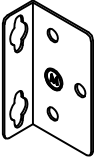
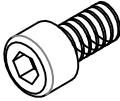

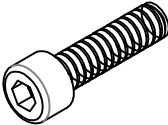
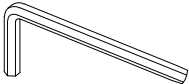

IMPORTANT FOR BEDS&MAINTAINCE

- The product comes in two packages. If you receive only one package, please contact customer service.
- Please place the mattress on top of the bed frame.
- Periodically check all screw & fixings to ensure they are secure.
- When moving your product, carefully lift into place.
- Slight crease marks when the bed is unpacked are normal,you can iron them flat with an iron.
- The fabric is easily stained, please work in a clean environment during assembly.
- Wipe clean with a slightly damp cloth- please do not use abrasive chemicals or bleach.
- DO NOT jump on the product or any of its parts.

BED FRAME PARTS LIST

<p>(A)</p>  <p>1pc</p>	<p>(B)</p>  <p>1pc</p>	<p>(C)</p>  <p>1pc</p>
<p>(D)</p>  <p>1pc</p>	<p>(D1)</p>  <p>1pc</p>	<p>(D2)</p>  <p>2pcs</p>
<p>(D3)</p>  <p>2pcs</p>	<p>(E)</p>  <p>1pc</p>	<p>(F1)</p>  <p>2pcs</p>
<p>(F2)</p>  <p>2pcs</p>	<p>(R1)</p>  <p>1pcs</p>	<p>(R2)</p>  <p>1pcs</p>
<p>(H)</p>  <p>1pc</p>	<p>(G)</p>  <p>1pc</p>	<p>(I)</p>  <p>1pc</p>

FITTING PARTS LIST

<p>(J)</p>  <p style="text-align: right;">1pc</p>	<p>(K)</p>  <p style="text-align: right;">2pcs</p>	<p>(L)</p>  <p style="text-align: right;">1pc</p>
<p>(W)</p>  <p style="text-align: right;">4pcs</p>	<p>(Y)</p>  <p style="text-align: right;">8pcs</p>	<p>(N)</p>  <p style="text-align: right;">6pcs</p>
<p>(N1)</p>  <p style="text-align: right;">14+1pcs</p>	<p>(P)</p>  <p style="text-align: right;">1pc</p>	<p>(P1)</p>  <p style="text-align: center;">Small</p> <p style="text-align: right;">29+1pc</p>

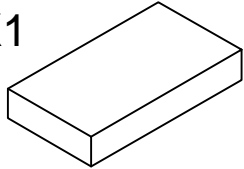
Seller's Notice:

Our product is packed in separate boxes, as shown below, and they might be shipped in different batches. Please wait until you receive all the boxes and then start the assembly.

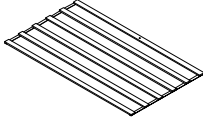
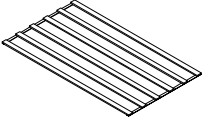
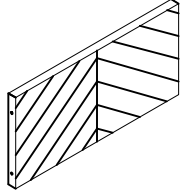


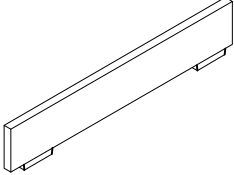
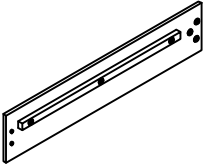
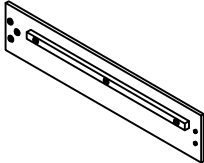
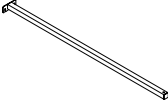
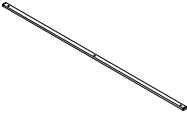
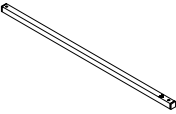
Noted: Assembly instruction is only provided in Box1.

The following is the list of components contained in Box1.

BOX1



Main Structure Accessories

<p>A</p>  <p>1PCS</p>	<p>B</p>  <p>1PCS</p>	<p>C</p>  <p>1PC</p>	<p>D</p>  <p>1PC</p>
<p>D1</p>  <p>1PC</p>	<p>E</p>  <p>1PC</p>	<p>F1</p>  <p>2PC</p>	<p>F2</p>  <p>2PC</p>
<p>H</p>  <p>1PC</p>	<p>G</p>  <p>1PC</p>	<p>I</p>  <p>1PC</p>	

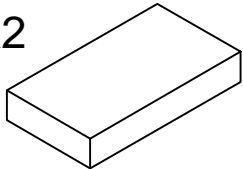
Seller's Notice:

Our product is packed in separate boxes, as shown below, and they might be shipped in different batches. Please wait until you receive all the boxes and then start the assembly.

Noted: Assembly instruction is only provided in Box1.

The following is the list of components contained in Box1.

BOX2



Main Structure Accessories

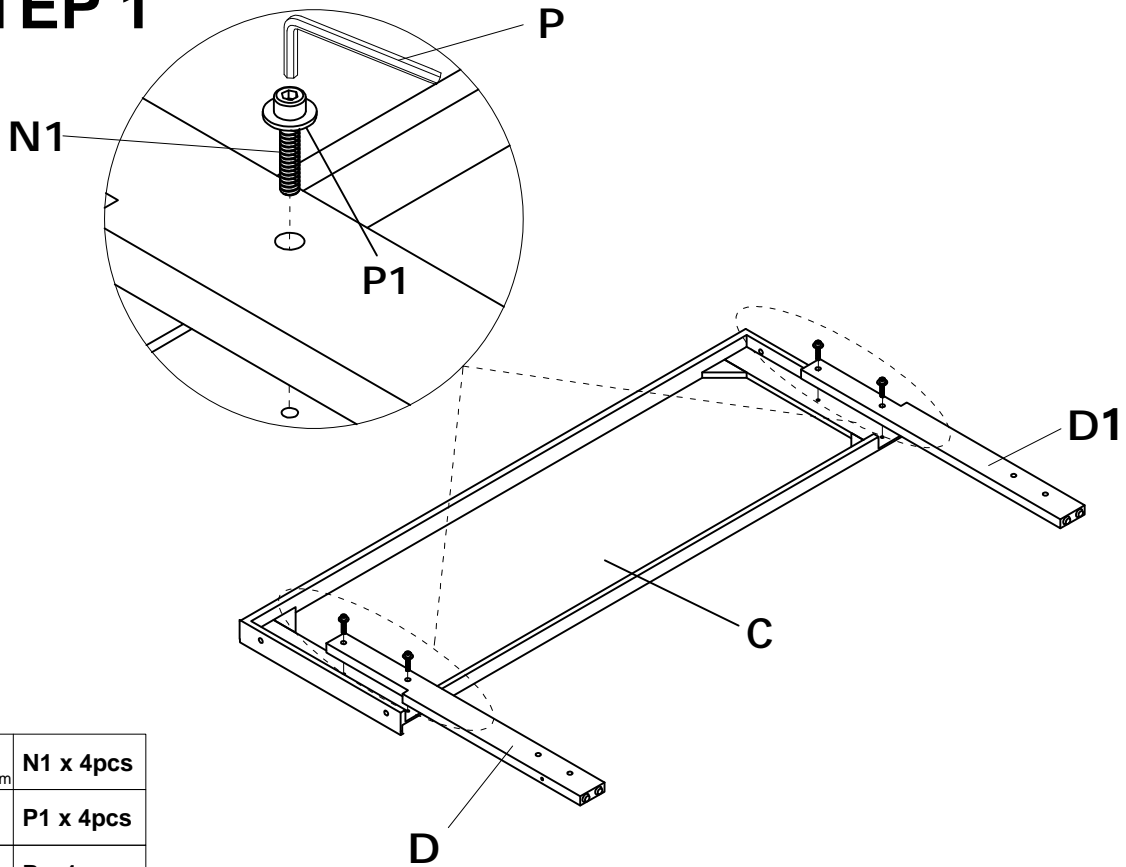
<p>(R1)</p> <p>1PCS</p>	<p>(R2)</p> <p>1PCS</p>	<p>(D2)</p> <p>2PCS</p>	
-------------------------	-------------------------	-------------------------	--




Structural Accessories

<p>(D3)</p> <p>2PCS</p>	<p>(J)</p> <p>1PCS</p>	<p>(K)</p> <p>2PCS</p>	<p>(L)</p> <p>1PCS</p>
<p>(W)</p> <p>4PCS</p>	<p>(Y)</p> <p>M8 X18mm</p> <p>8PCS</p>	<p>(N)</p> <p>M8 X30mm</p> <p>6PCS</p>	<p>(N1)</p> <p>M8 X45mm</p> <p>14+1PCS</p>
<p>(P)</p> <p>1PCS</p>	<p>(P1)</p> <p>Small</p> <p>28+1PCS</p>		

Assembly Instruction of (Bed)

STEP 1

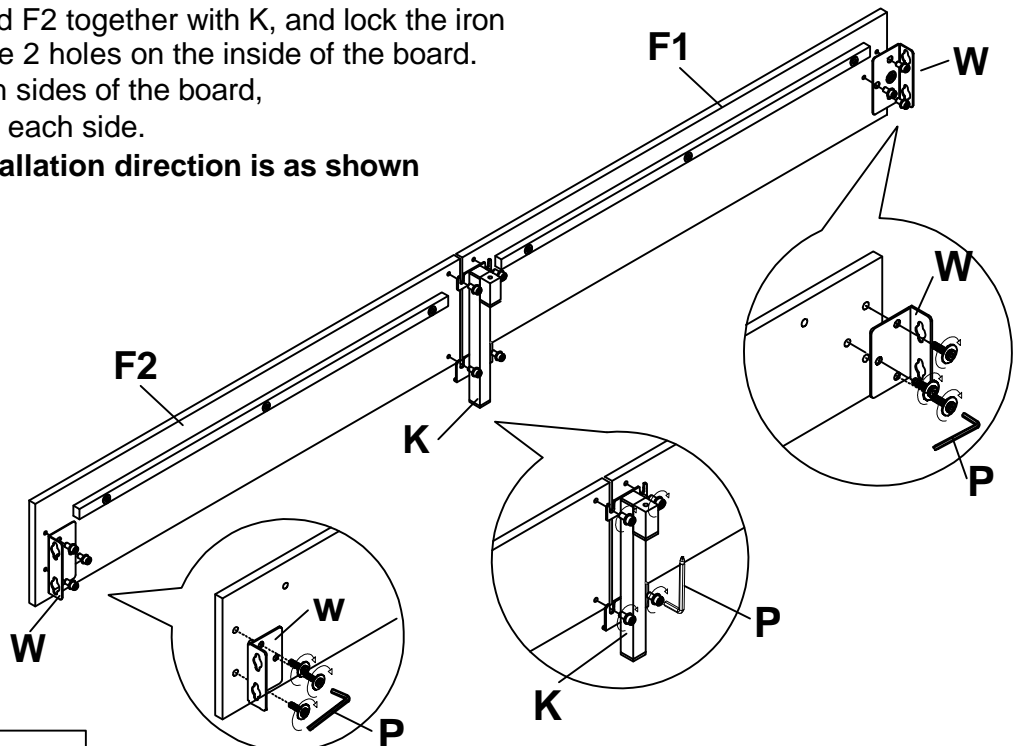




	N1 x 4pcs
M8 X45mm	
	P1 x 4pcs
Small	
	P x 1pc

STEP 2

Connect F1 and F2 together with K, and lock the iron frame, there are 2 holes on the inside of the board.
Lock W on both sides of the board, with 3 holes on each side.

Note: The installation direction is as shown in the picture.

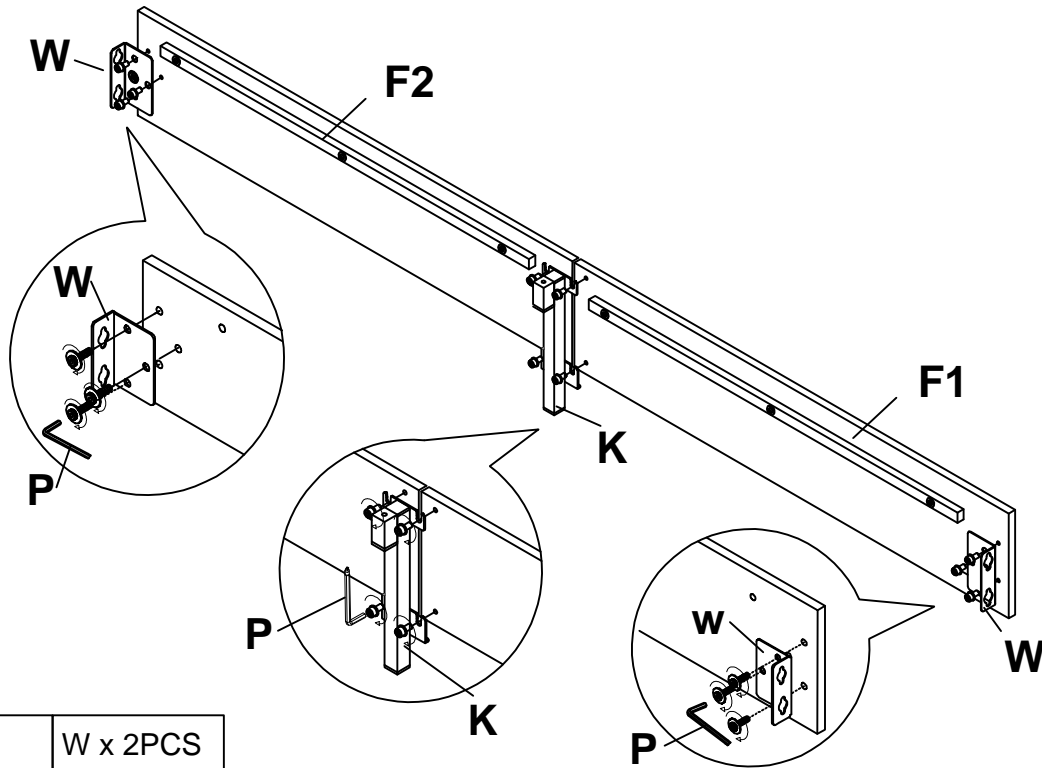




	W x 2PCS
	P x 1PC

Assembly Instruction of (Bed)

STEP 3

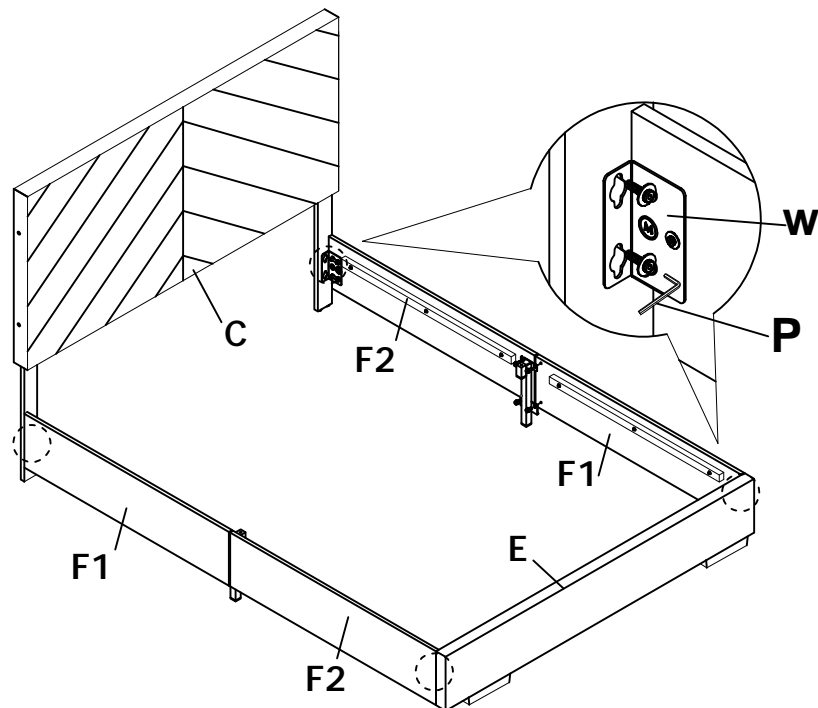
Loosen the screw first, fasten the screw after installing the parts




	W x 2PCS
	P x 1PC

STEP 4

Loosen the screw first, fasten the screw after installing the parts

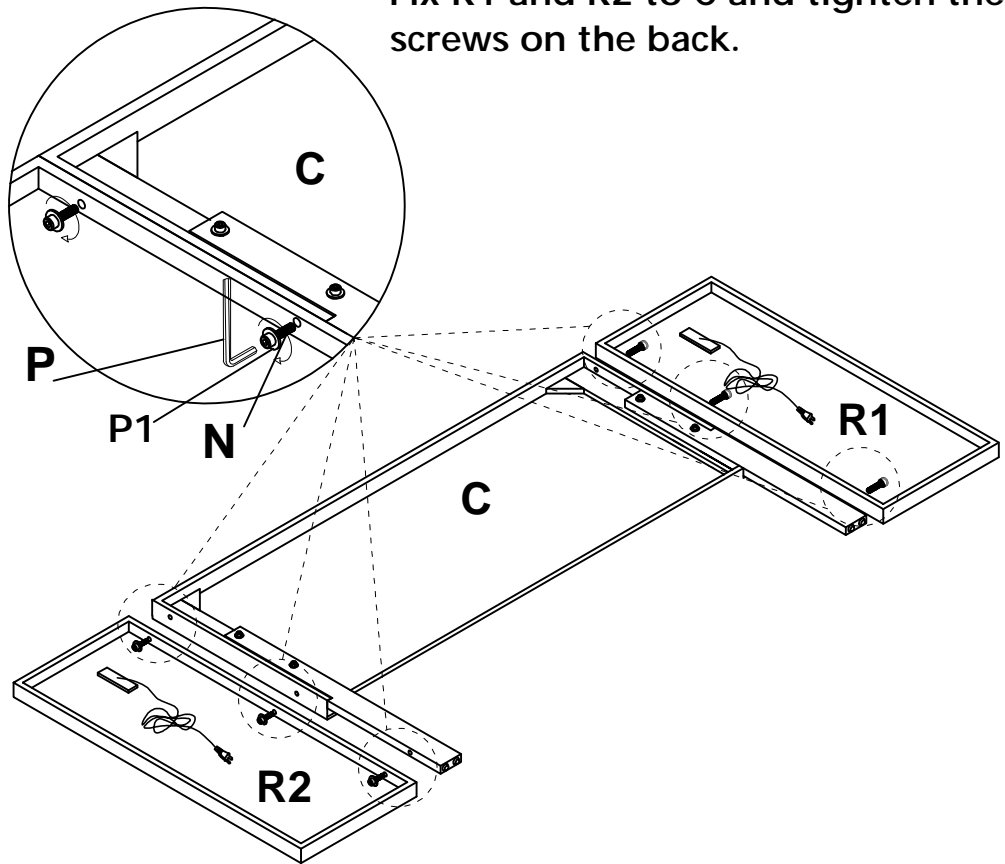





	P x 1PC
---	---------

Assembly Instruction of (Bed)

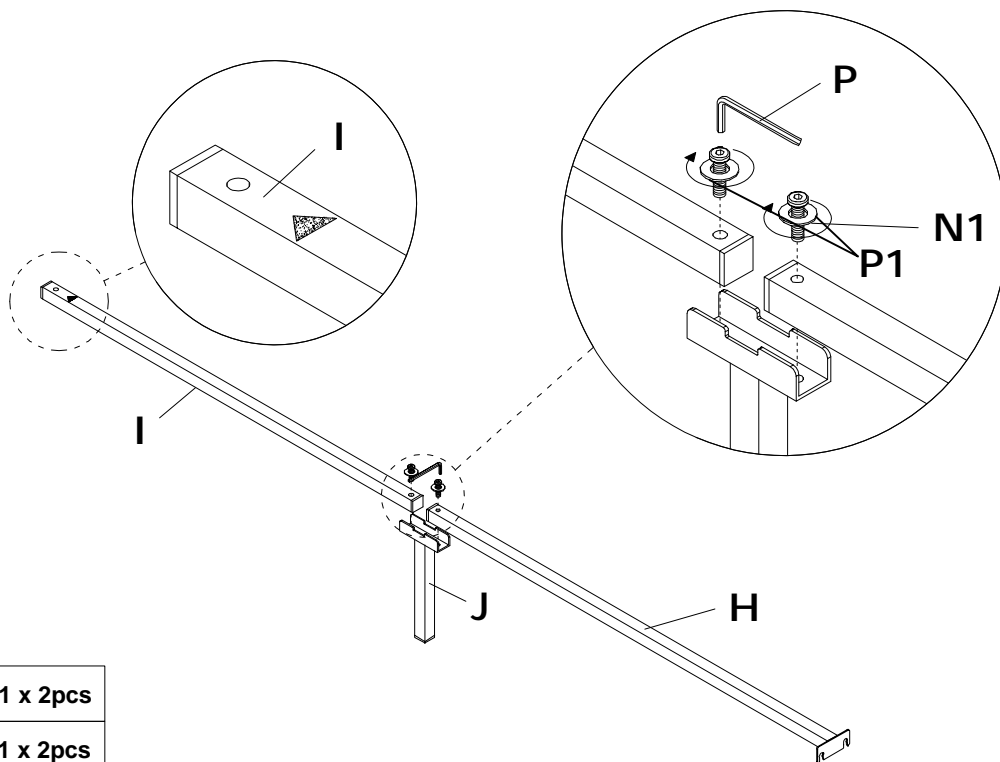
STEP 5




Fix R1 and R2 to C and tighten the screws on the back.



 M8 X30mm	N x 6pcs
 Small	P1 x 6pcs
	P x 1pc

STEP 6

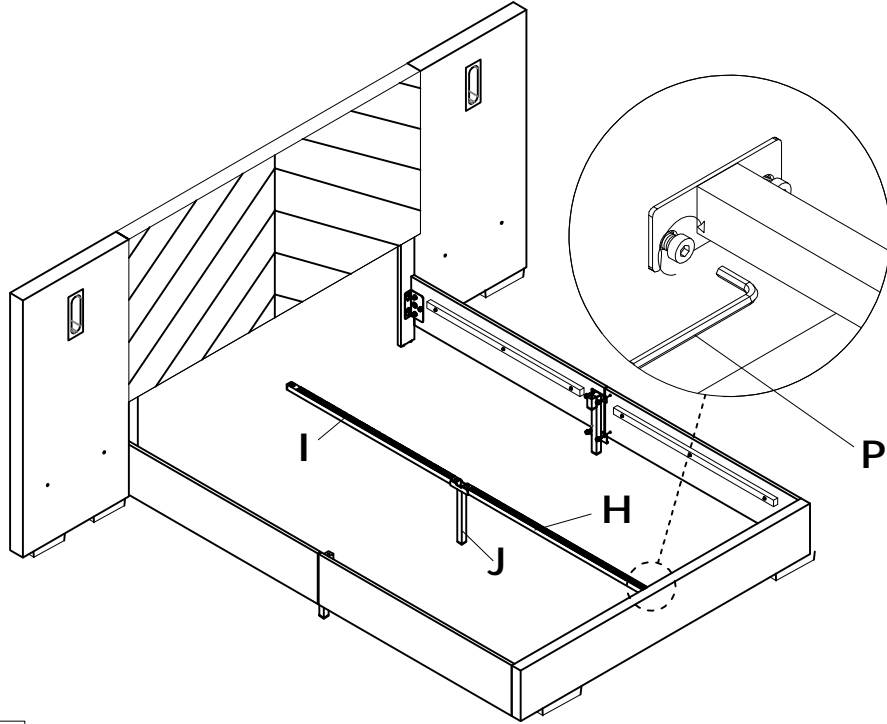


 M8 X45mm	N1 x 2pcs
 Small	P1 x 2pcs
	P x 1pc

Assembly Instruction of (Bed)

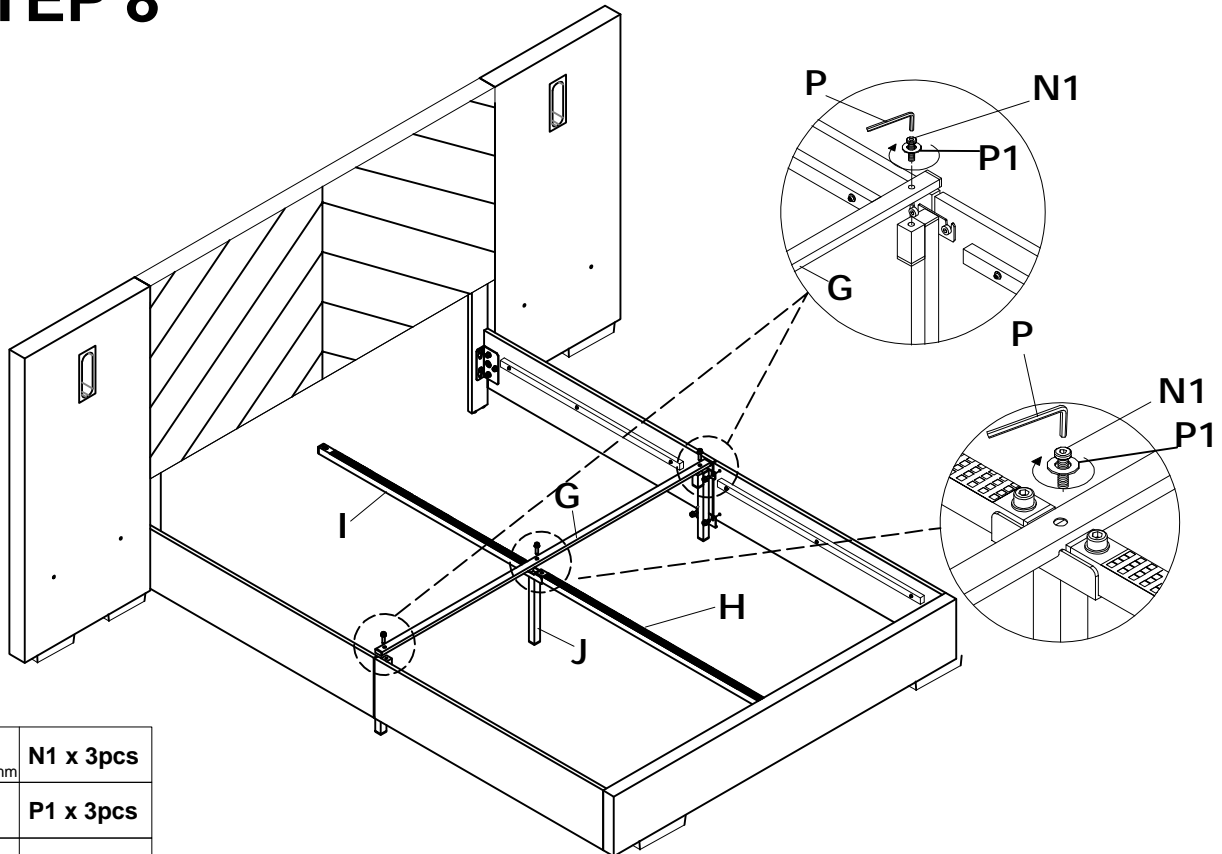
STEP 7

Loosen the screw in the middle of the footboard, then hang the bracket on and tighten the innerscrew.



P x 1pc

STEP 8



N1 x 3pcs
M8 X45mm



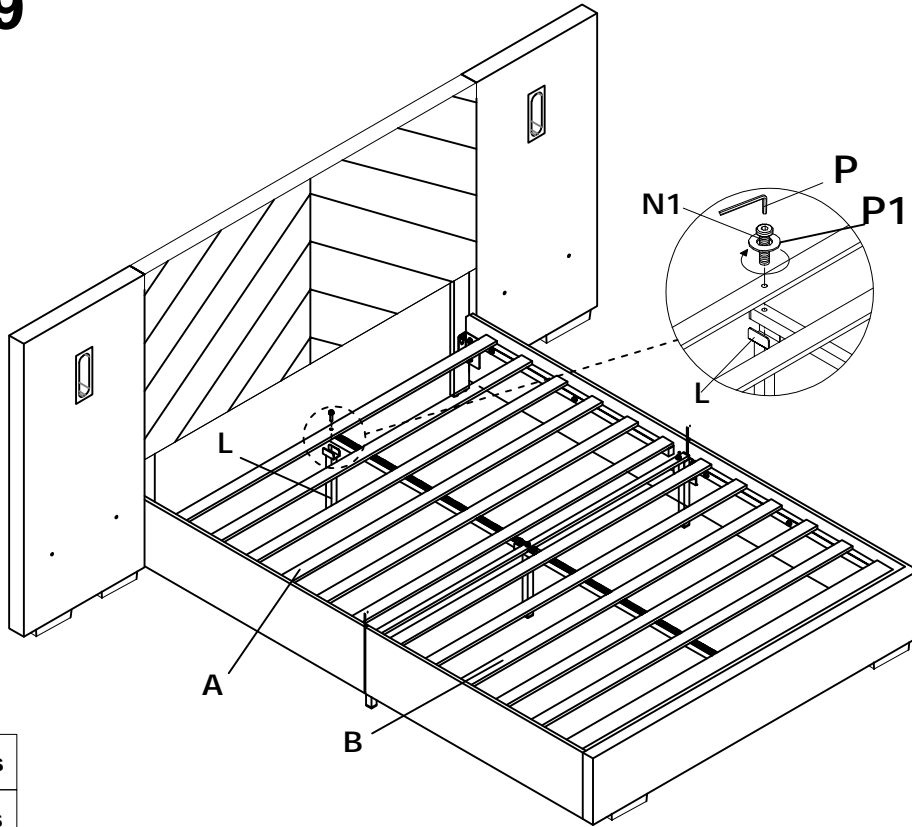
P1 x 3pcs
Small






P x 1pc

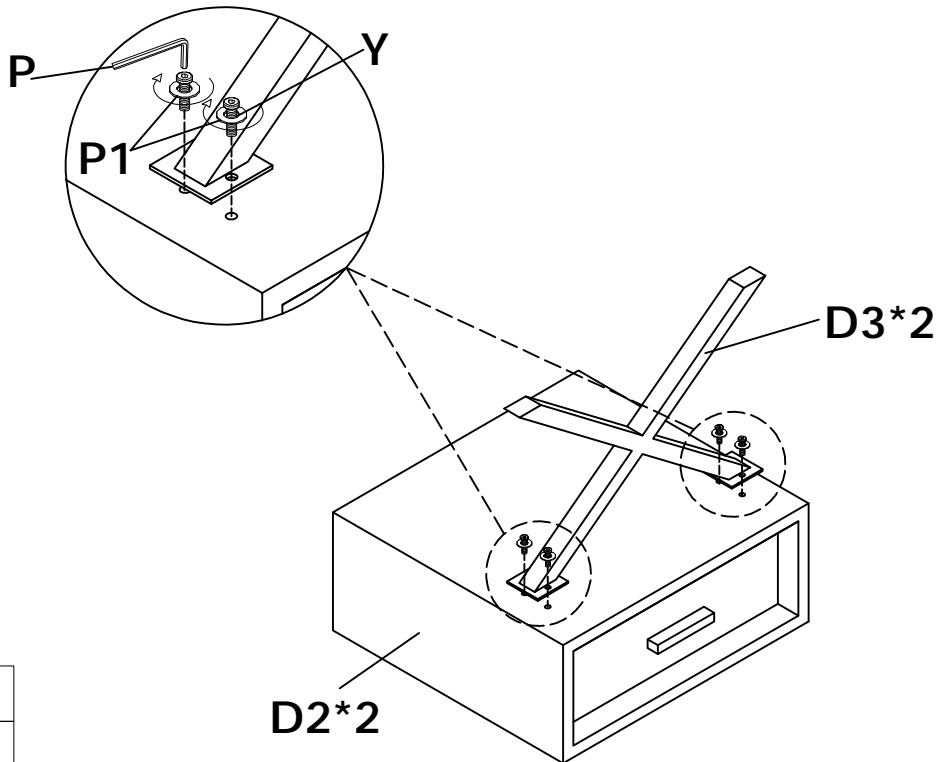
Assembly Instruction of (Bed)




STEP 9



 M8 X45mm	N1 x 1pcs
 Small	P1 x 1pcs
	P x 1pc

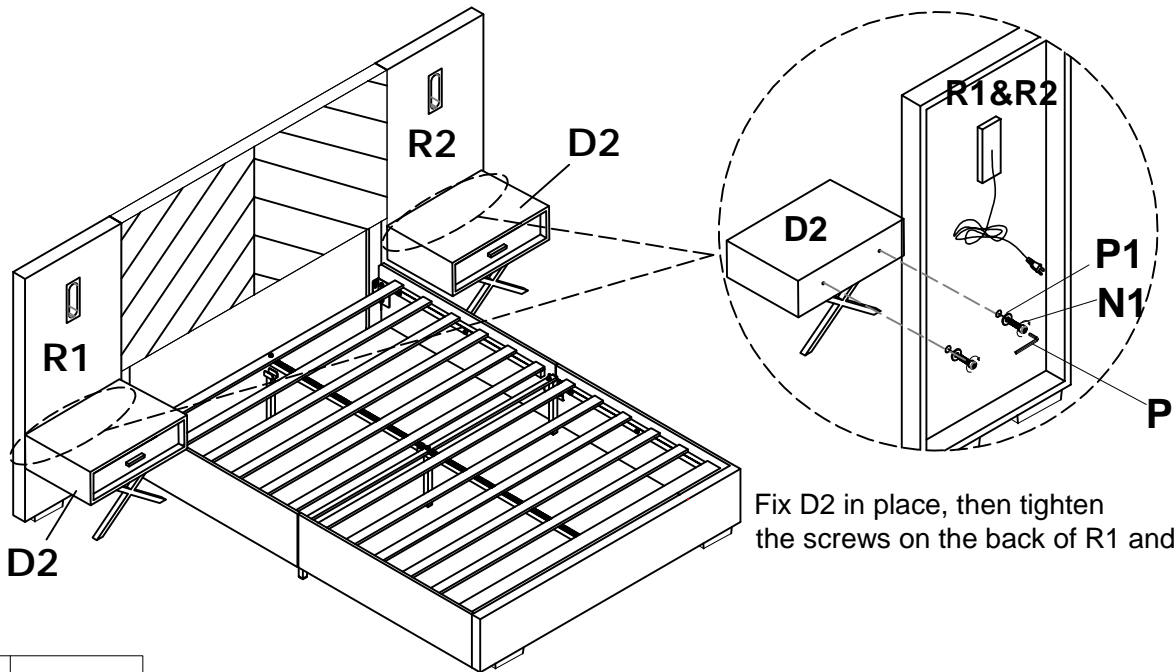
STEP 10






 M8 X18mm	Y x 8pcs
 Small	P1 x 8pcs
	P x 1pc

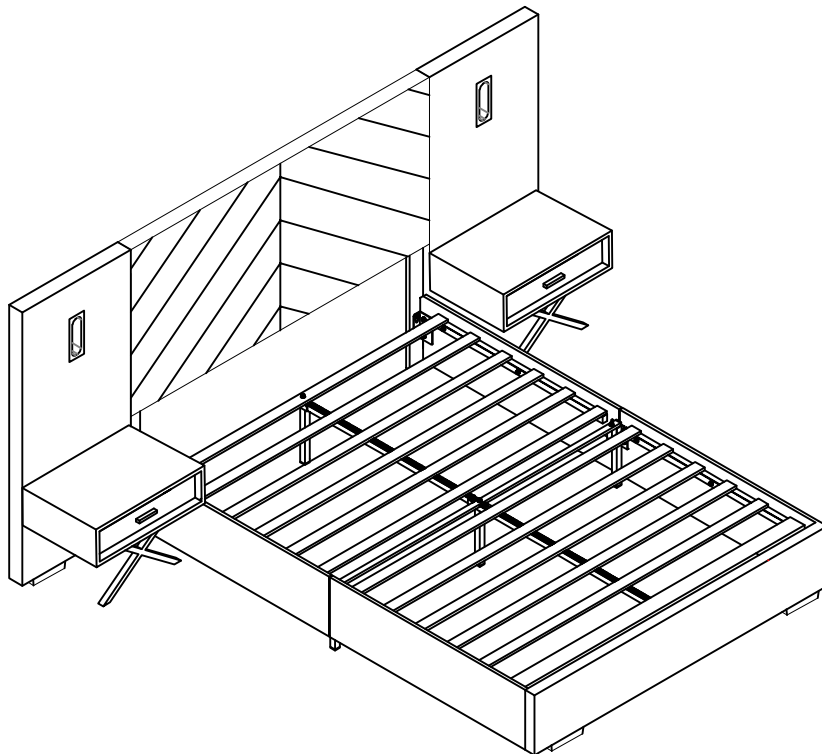
Assembly Instruction of (Bed)

STEP 11



Fix D2 in place, then tighten the screws on the back of R1 and R2

 M8 X45mm	N1 x 4pcs
 Small	P1 x 4pcs
	P x 1pc



Installation Complete