

# Bifold Door With Hardware Kit

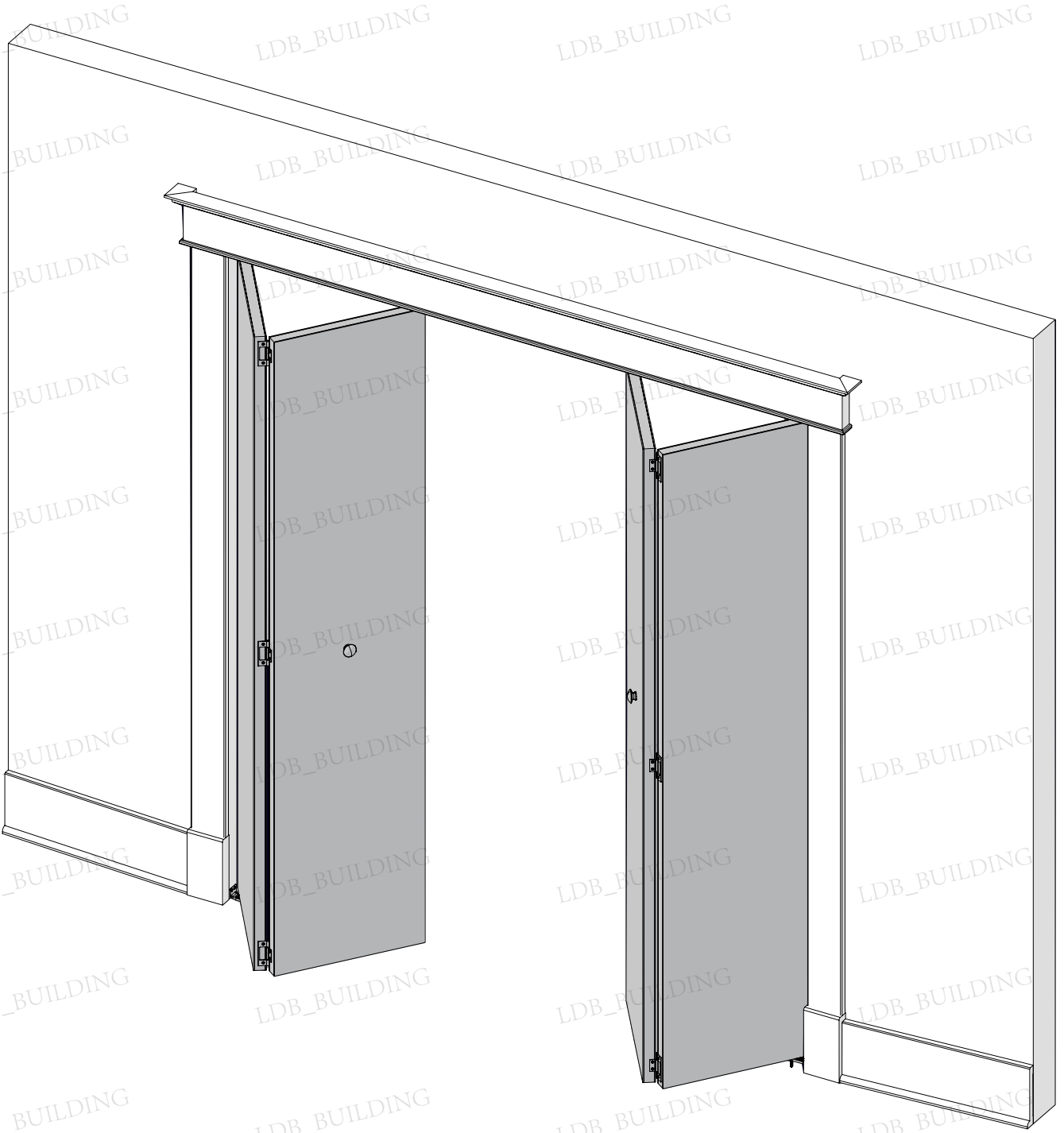
## INSTRUCTION MANUAL



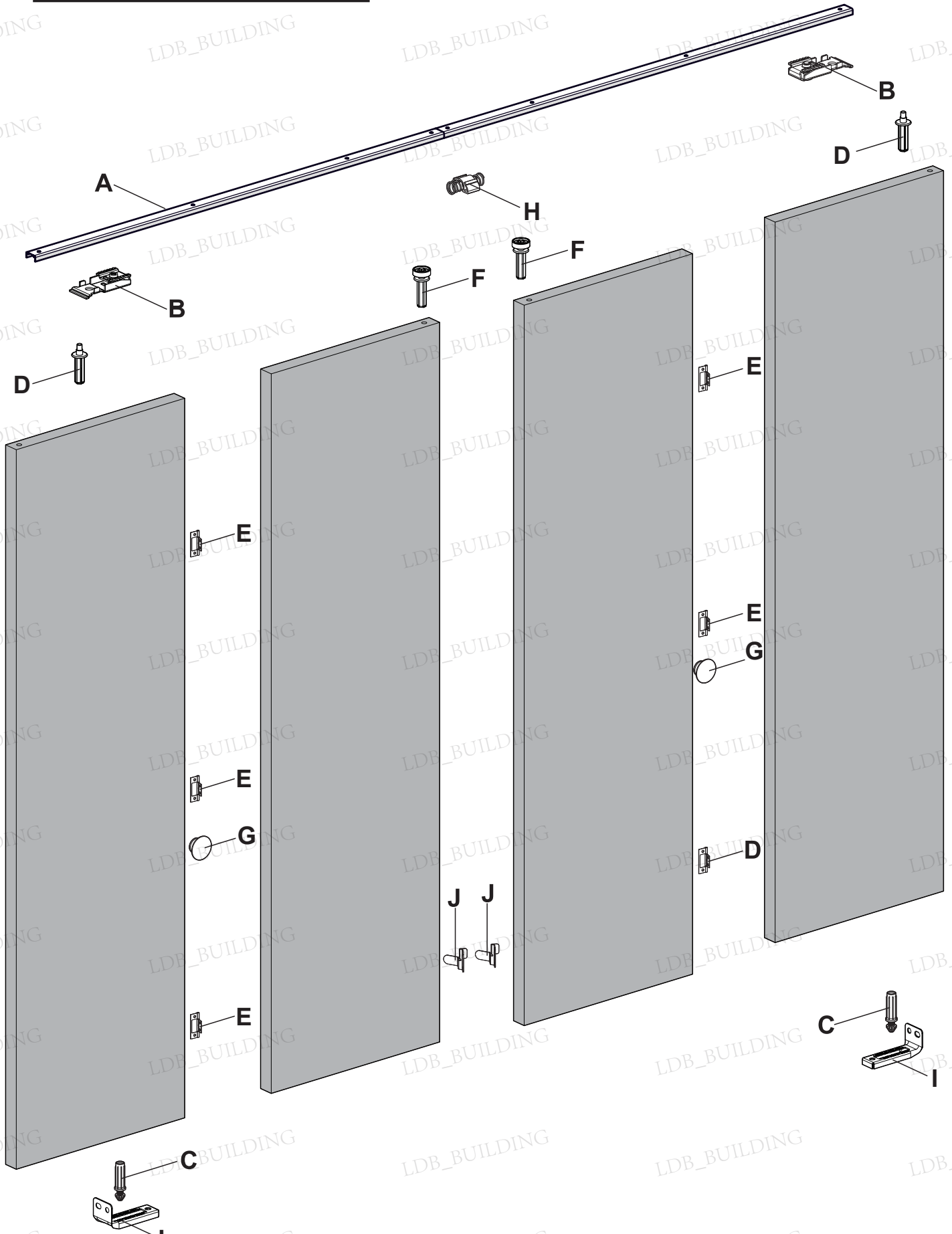
### Folding door installation

Before you begin the installation process, make certain that you read the enclosed installations completely. All installations are applicable to the installation of any folding door, regardless of door dimensions. The installations are also applicable to door panels of any type.

# Assembly Notes

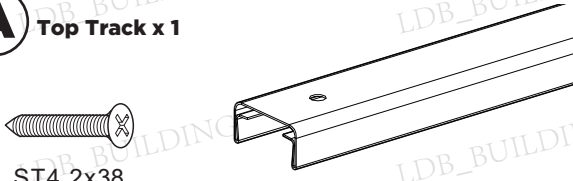


# Components list



# Hardware


**A Top Track x 1**




ST4.2x38

Track Length	Screw Quantity
23 1/16"	(x3)
27 1/16"	(x3)
29 1/16"	(x4)
31 1/16"	(x4)
35 1/16"	(x4)

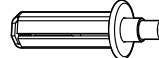
**B Top Pivot Bracket x 1**



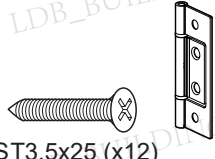
**C Active door guide pivot x 1**



**D Fixed door top pivot x 1**

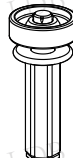


**E Hinger x 3**

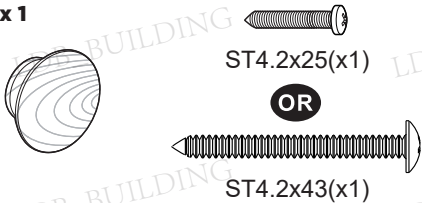


ST3.5x25 (x12)

**F Active door top pivot x1**

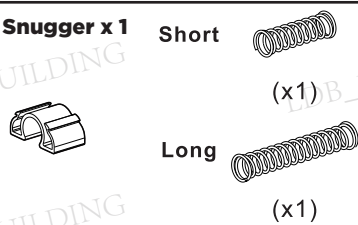


**G Knob x 1**



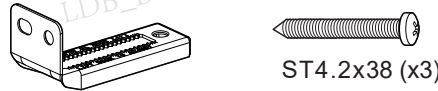
ST4.2x25(x1)  
OR  
ST4.2x43(x1)

**H Spring Snugger x 1**




Short (x1)  
Long (x1)

**I Bottom fixed bracket x 1**



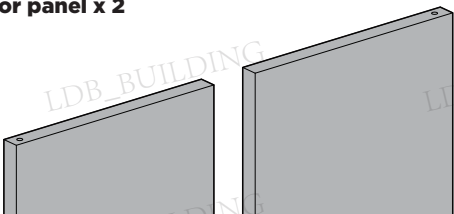
ST4.2x38 (x3)

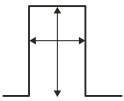
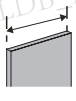
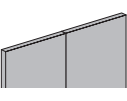
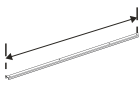

**J Mount bi-fold panel aligner x 1**



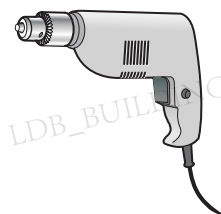
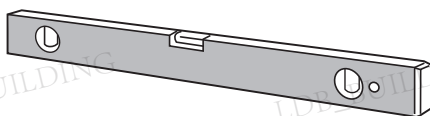
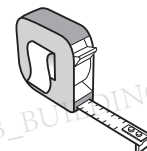
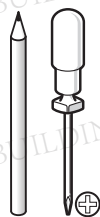
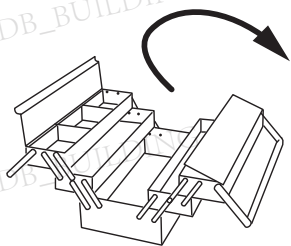
ST4.2x19 (x2)

**K Door panel x 2**



<b>Number of Parts in Different Sizes</b>				
				
Opening Width	Single Door Width	Number of Doors	Track Length	Number of Track
24"X80"	11 3/4"	2	23 13/16"	1
28"X80"	13 3/4"	2	27 13/16"	1
30"X80"	14 3/4"	2	29 13/16"	1
32"X80"	15 3/4"	2	31 13/16"	1
36"X80"	17 3/4"	2	35 13/16"	1
48"X80"	11 3/4"	4	23 13/16"	2
56"X80"	13 3/4"	4	27 13/16"	2
60"X80"	14 3/4"	4	29 13/16"	2
64"X80"	15 3/4"	4	31 13/16"	2
72"X80"	17 3/4"	4	35 13/16"	2

## Tools required

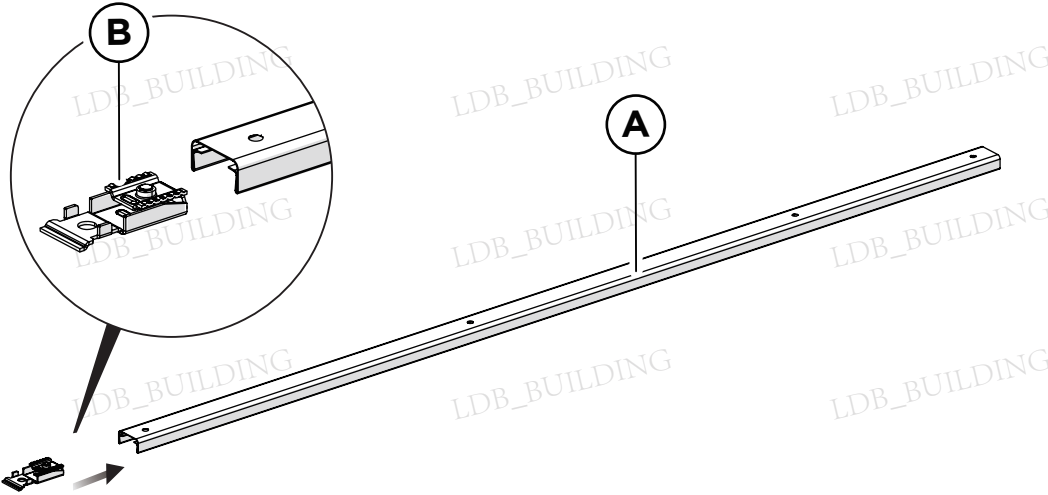


# Product Installation

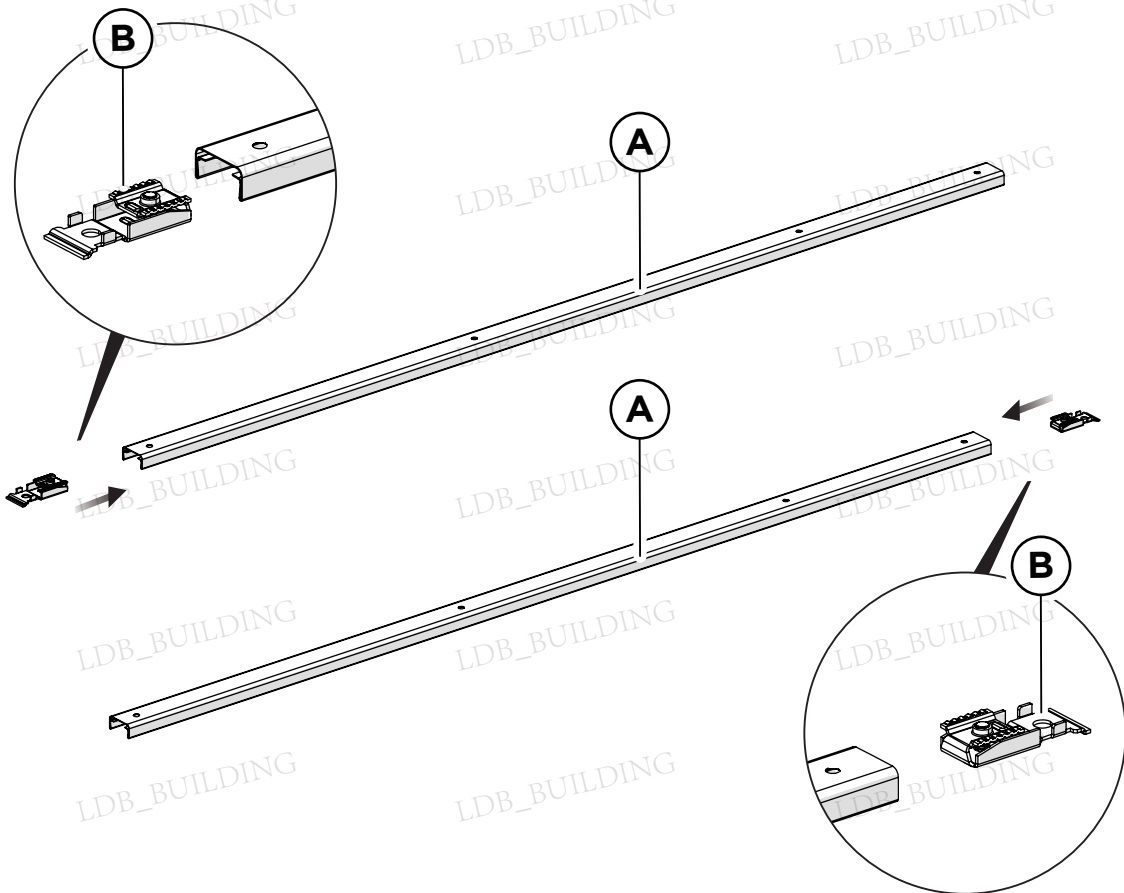
## Step 1

Insert the Top Pivot Bracket (B) to each track.

### 2XDOOR



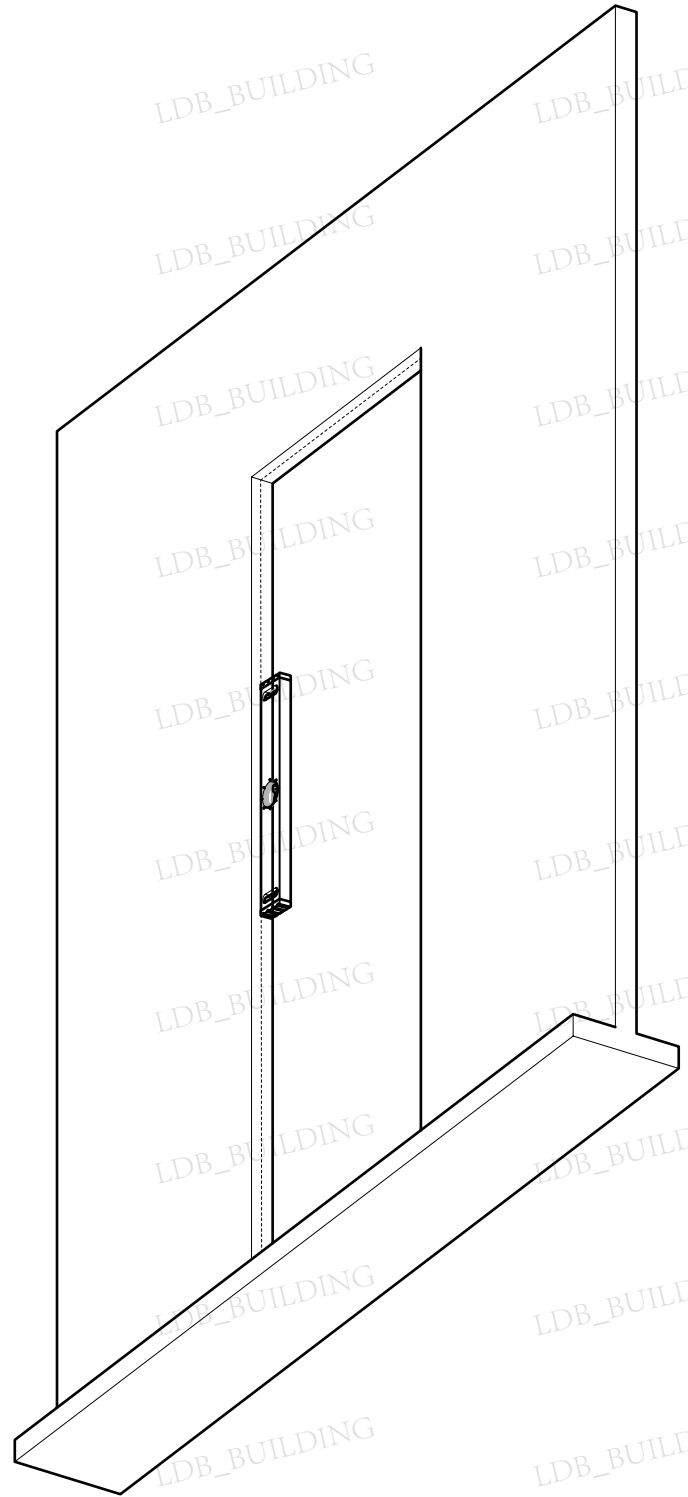
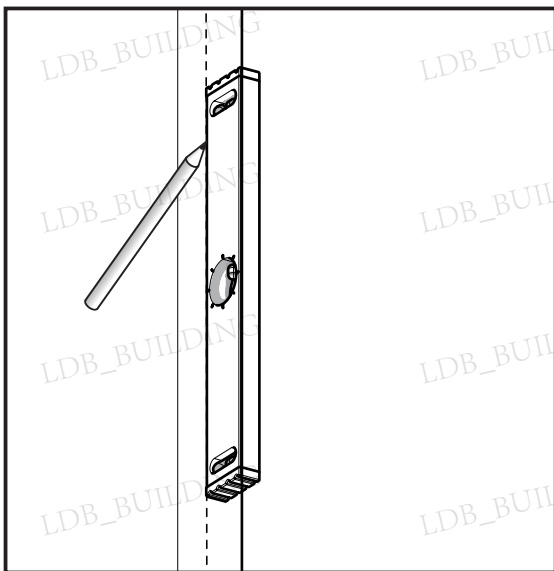
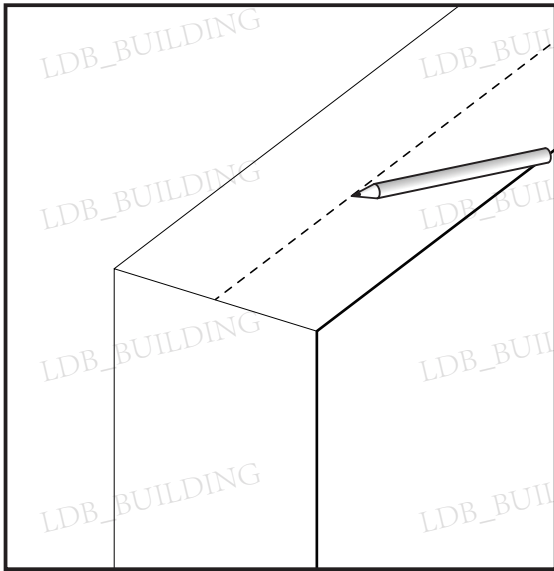
### 4XDOOR



## Product Installation

### Step 2

Mark the line of the top to determine the location of the track punch and use a Level to mark its plumb lines on the side jamb.

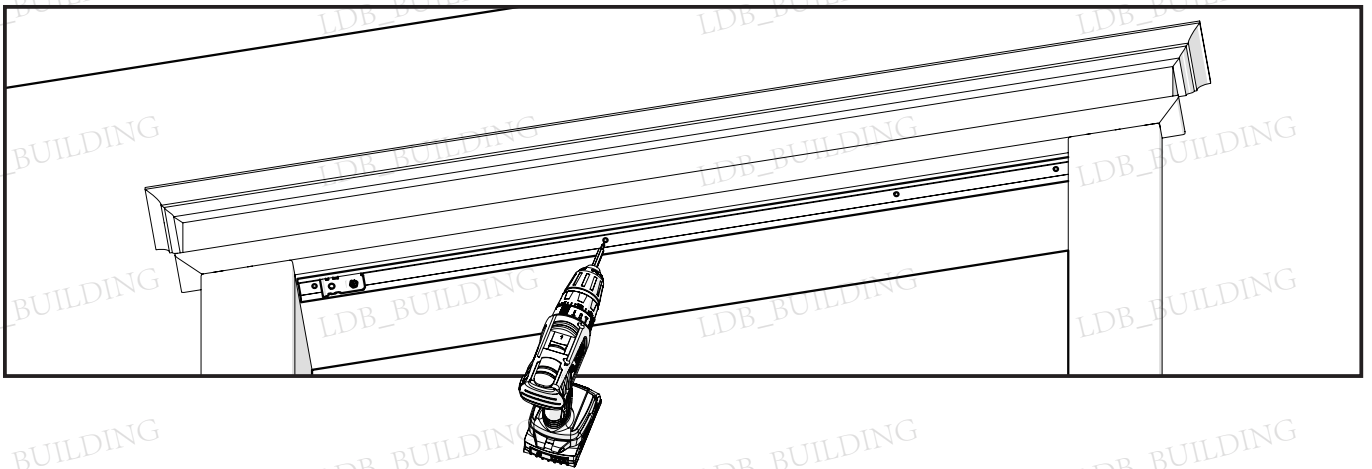
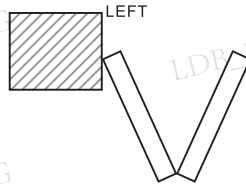


# Product Installation

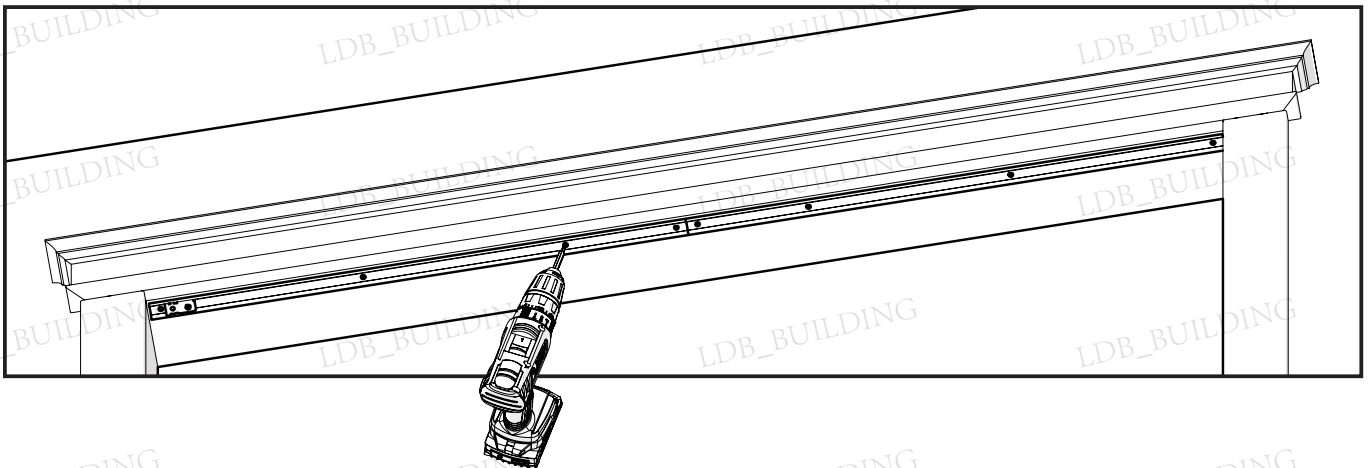
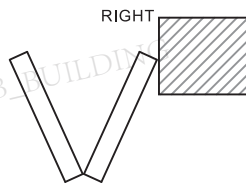
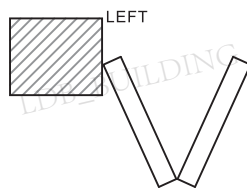
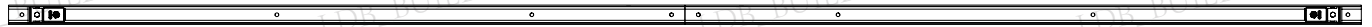
## Step 3

Install the track, and keep gap of the door left and right same

### 2XDOOR



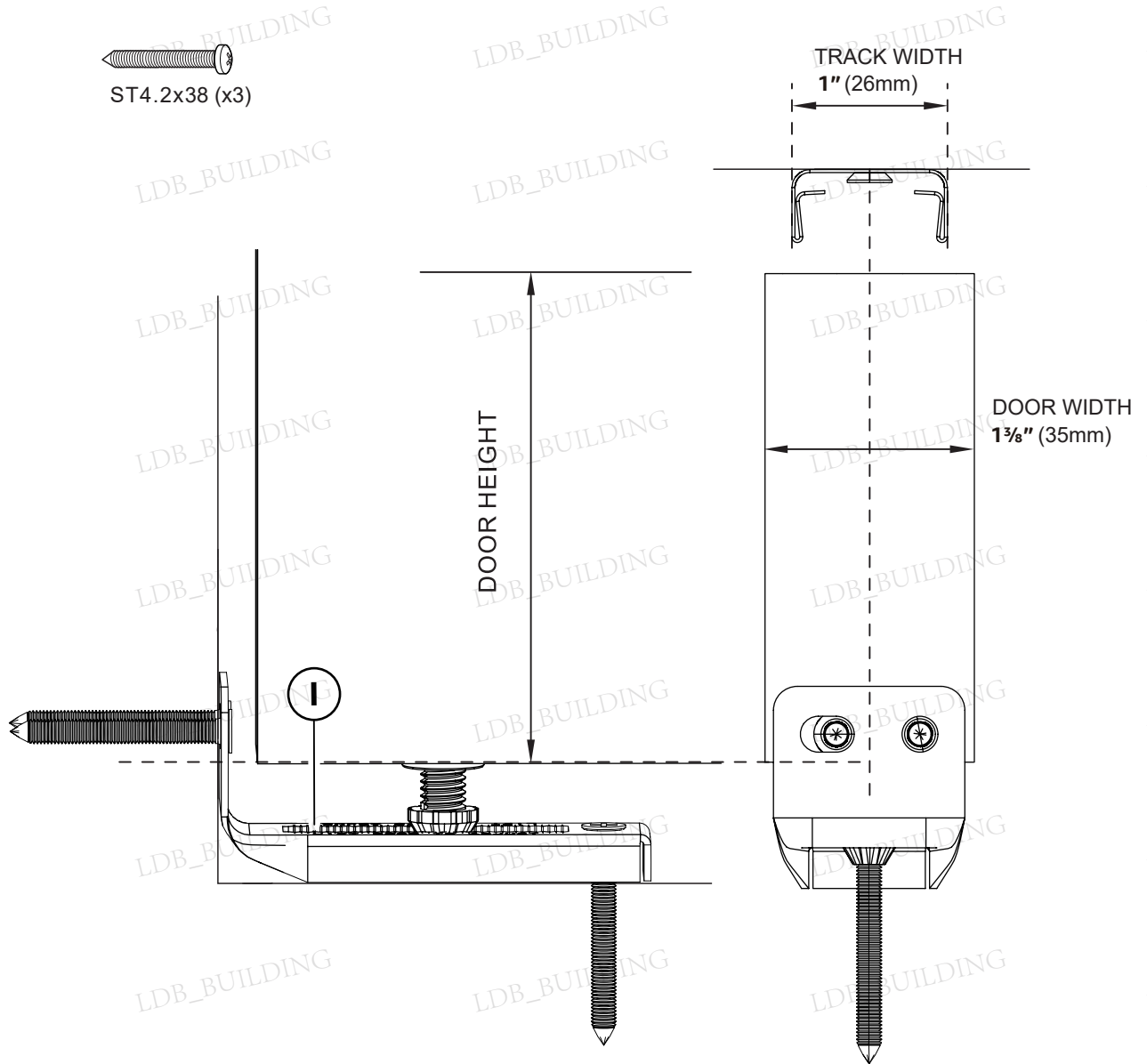
### 4XDOOR



# Product Installation

## Step 4

Follow the lines drawn in step 1 to determine the position of the Bottom fixed bracket (I)



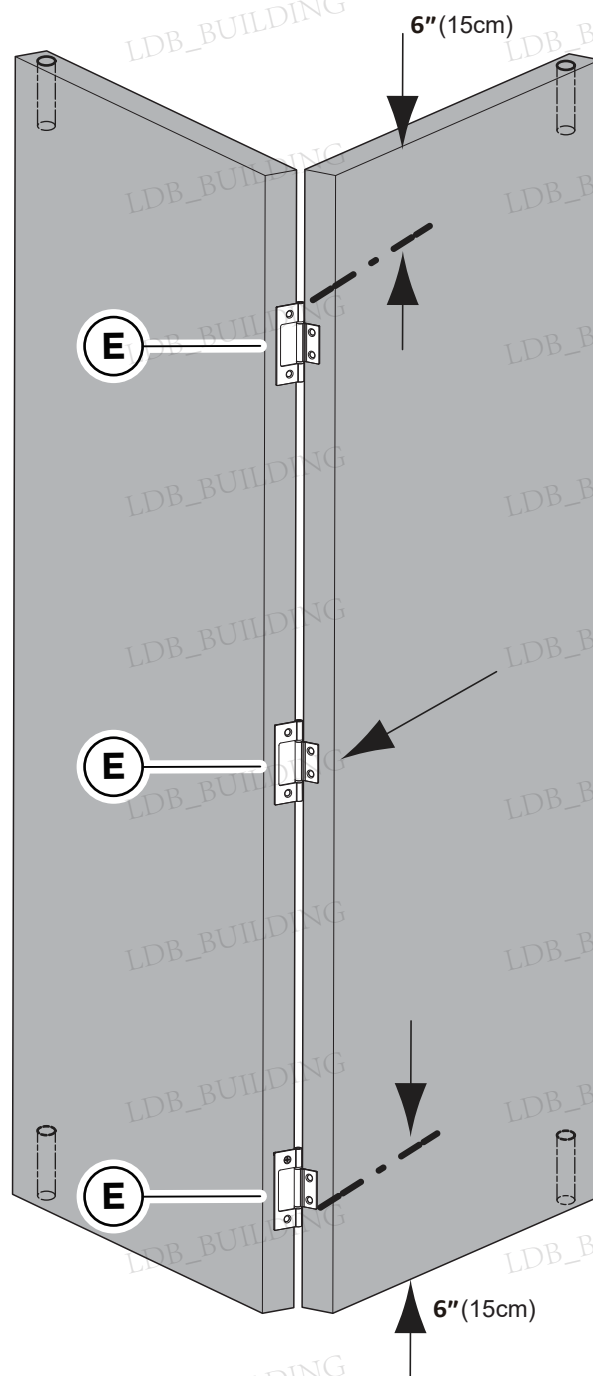
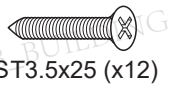
## Product Installation

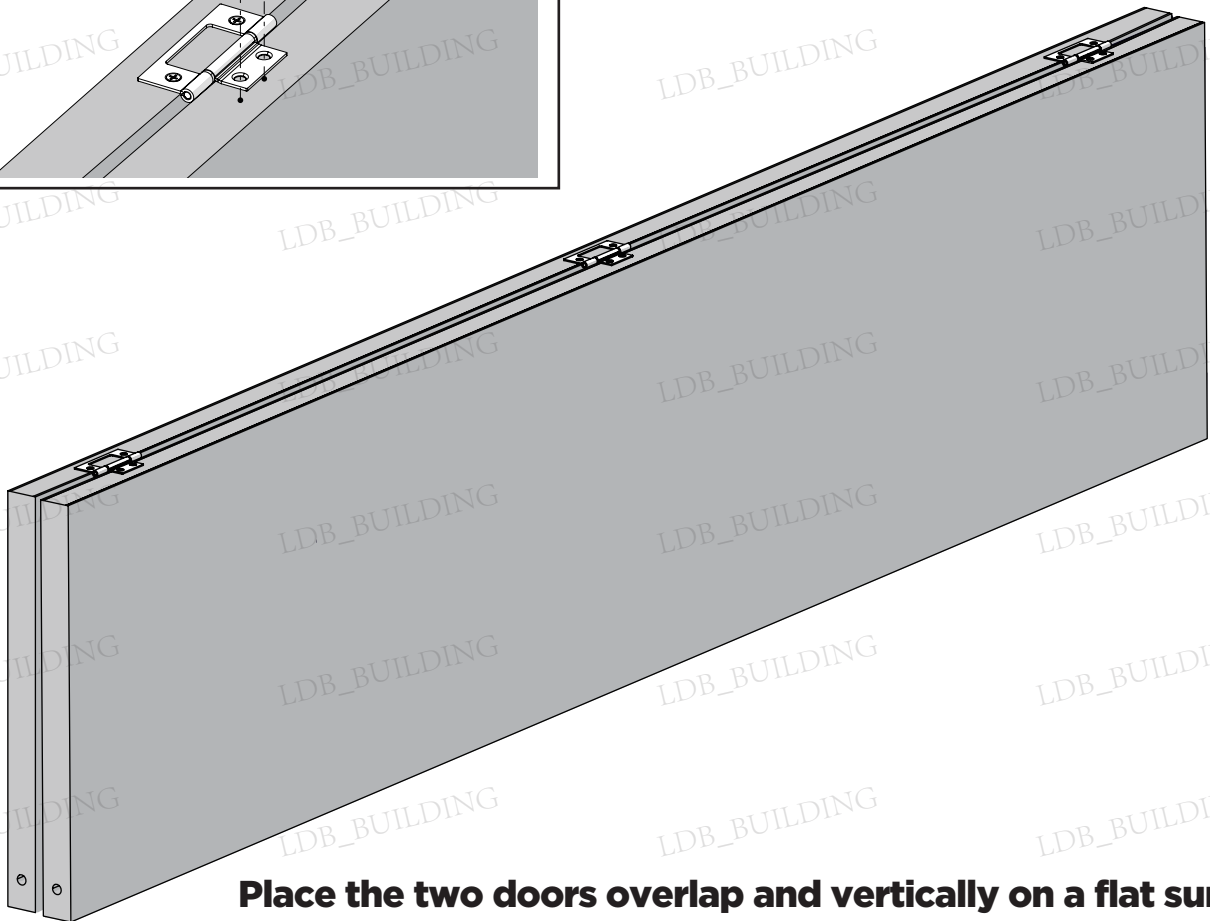
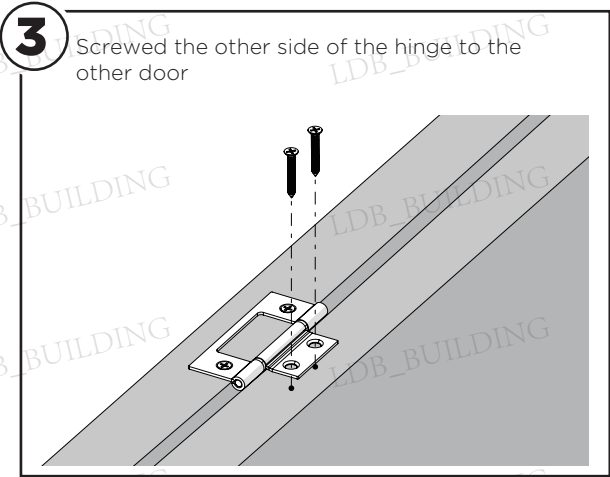
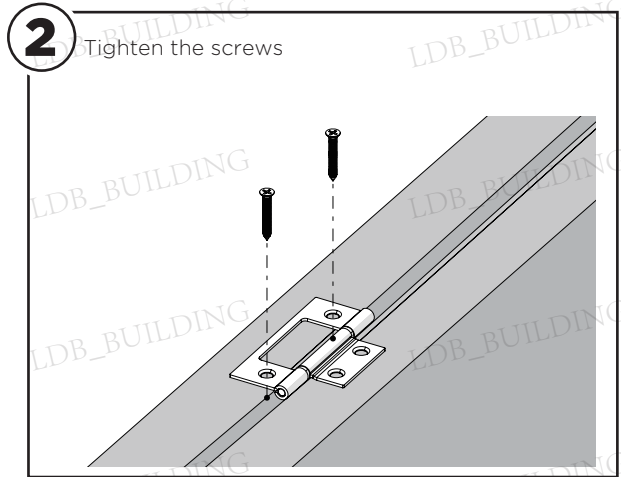
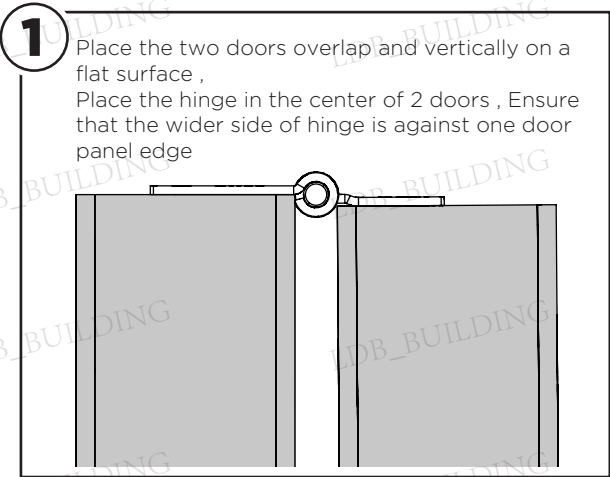
### Step 5

Place the door vertically on a flat surface and attach the hinger, Fasten hinges onto the edges of the door panels, using ST3.5x25 screws provided.

Note : Ensure that the wider side of hinge is on pivot-side door panel.

Place one hinge in the center and the others approximately 6"(15cm) from top and bottom.



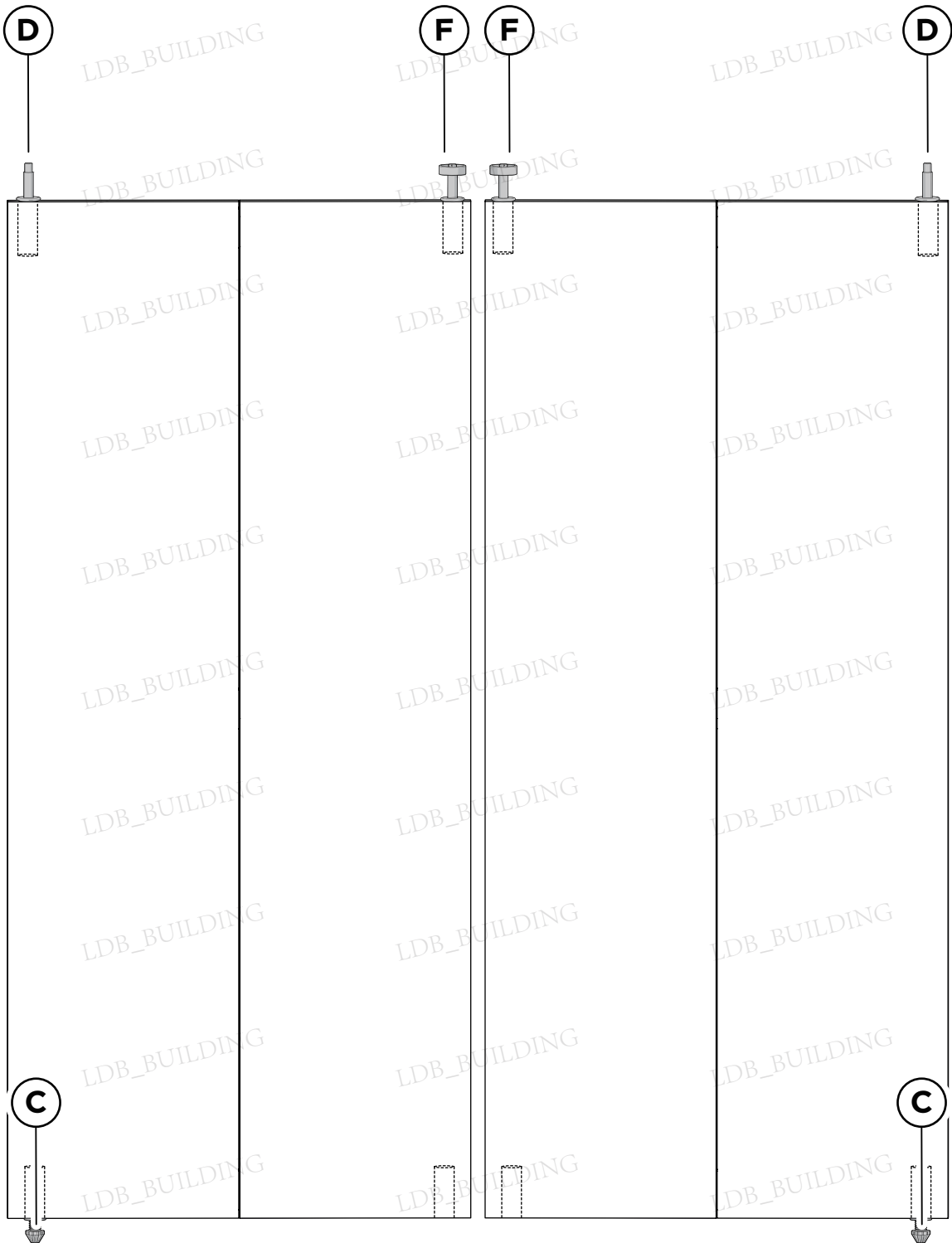


**Place the two doors overlap and vertically on a flat surface**

# Product Installation

## Step 6

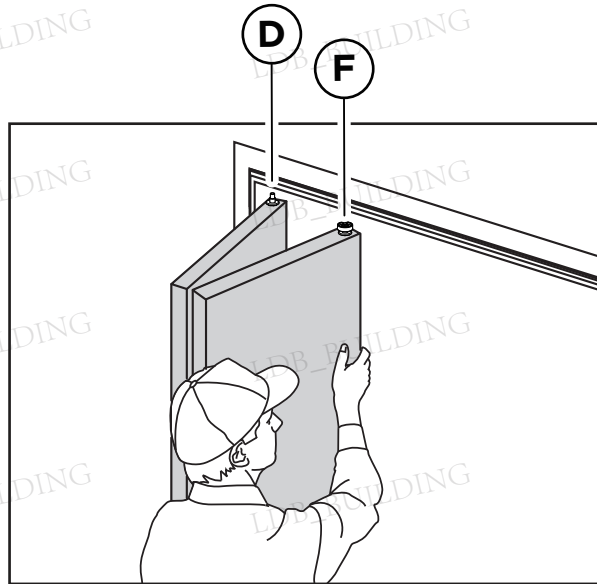
Place the parts (C&D&F) into the pre-drilled holes



# Product Installation

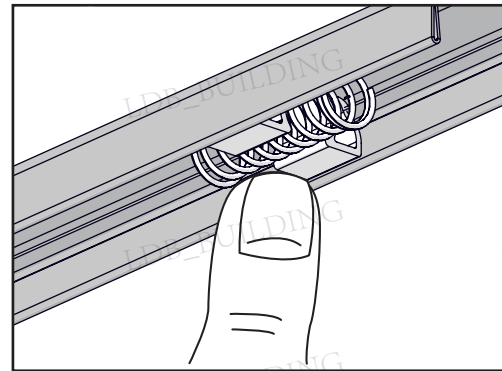
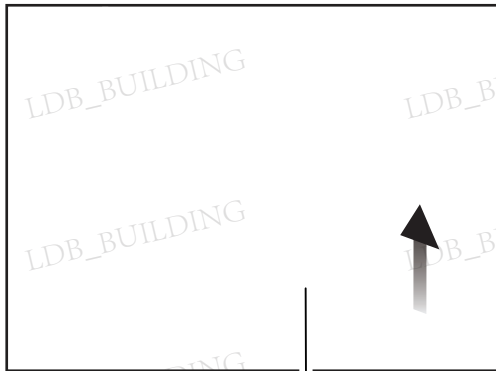
## Step 7

Insert the fixed door top pivot (D) to the pivot bracket (B) and Active door top pivot(F) into track.



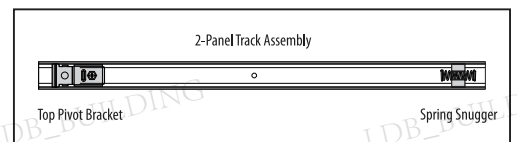
## Step 8

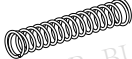
Put the Spring Snugger (H) in the track, Press directly into the track with your thumb.  
Note: Short springs are for 2 doors , Long springs are for 4 doors.

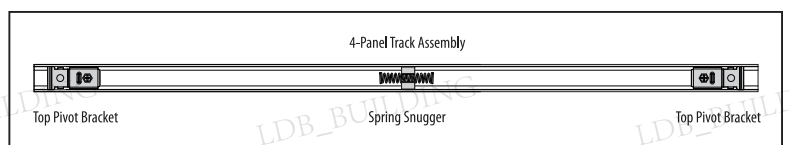


H

Short 



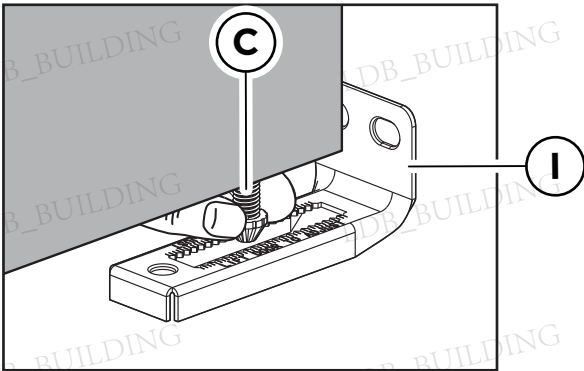
Long 



## Product Installation

### Step 9

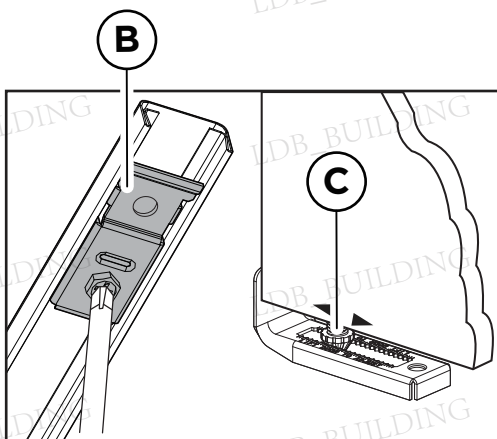
Put Active door guide pivot (C) into the Bottom fixed bracket (I)



### Step 10

Adjustment

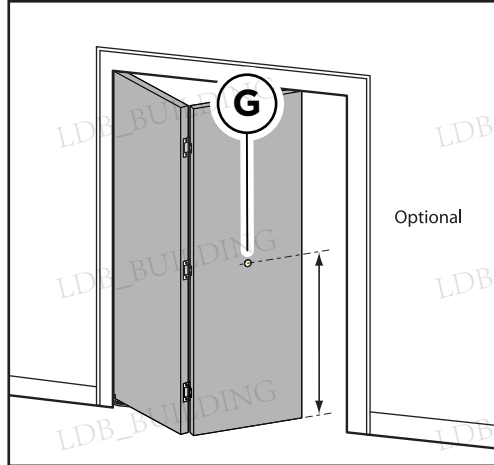
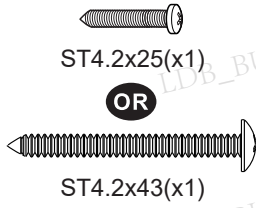
1. Slide Active door guide pivot (C) until the door is plumb then tightened the Top Pivot Bracket (B)
2. Slide the door stopper to the other end of the track.



# Product Installation

## Step 11

Mark a comfortable height and secure the knob (G) with screws



## Step 12

Install bi-fold panel aligner.

Note: The aligner is only applied to **4 doors** installation. Sit the aligner to back side of the active door, 5 29/32" apart from the bottom edge of the door, with the short pin snug against the side edge.

