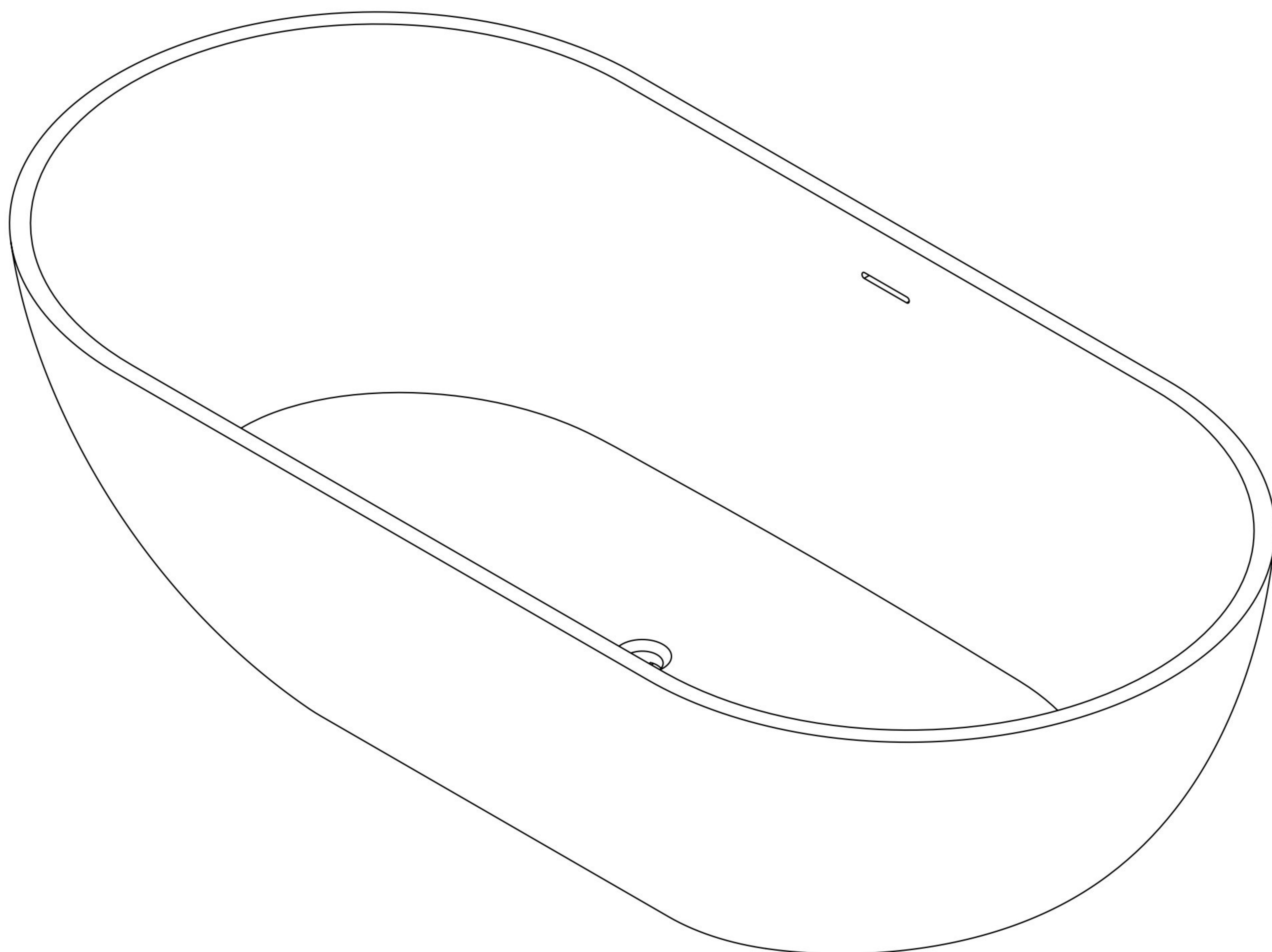


*Cpingao*

**FREESTANDING STONE RESIN BATHTUB**



EN  
**INSTALLATION GUIDE**

# INTRODUCTION

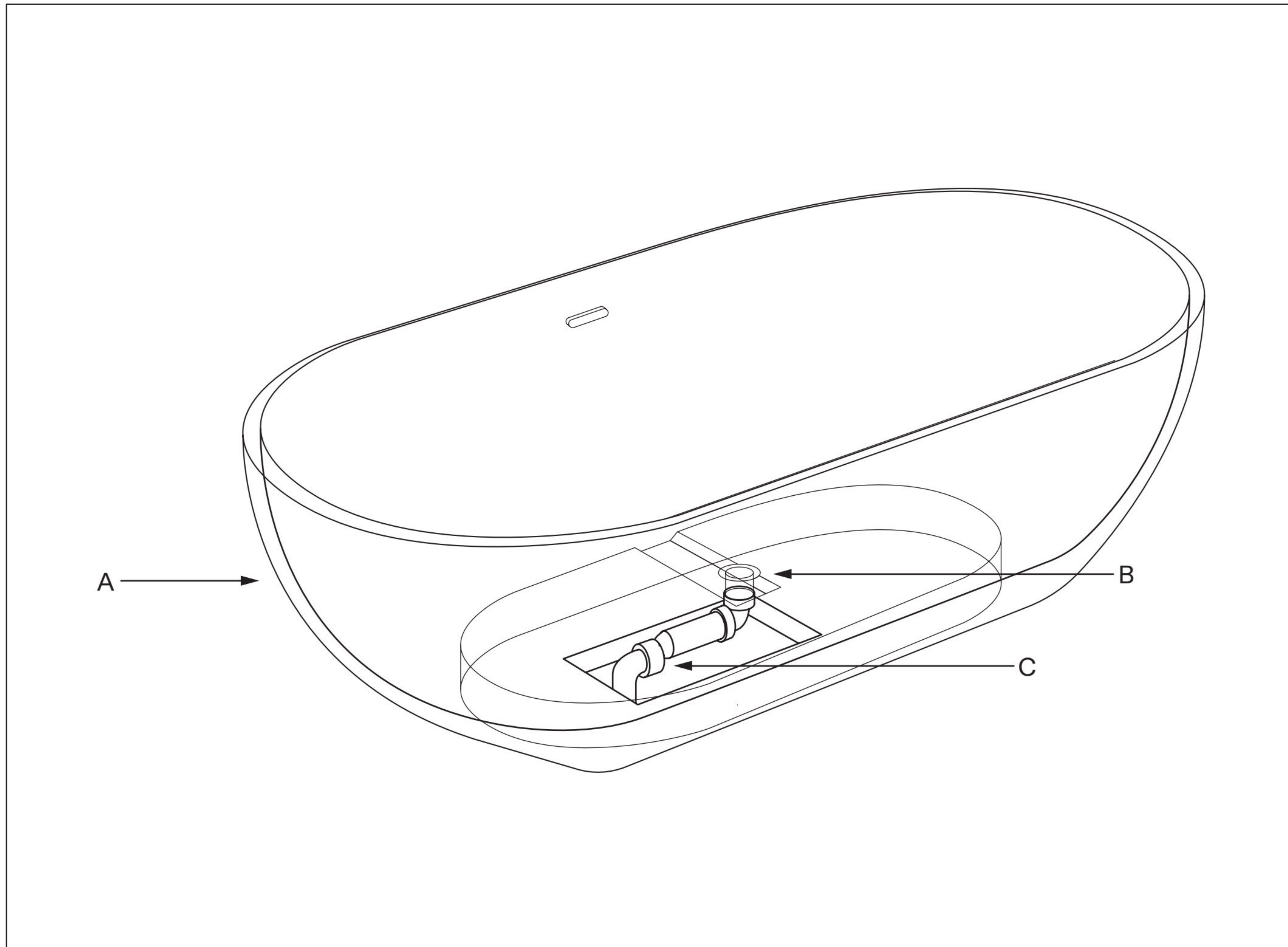
**Thank you for purchasing this Cpingao Freestanding Stone Resin Bath.**

**Please read this guide carefully before installing, using and cleaning this product, and retain it for future reference.**

**If you have any queries in relation to this product or guide, please contact our Customer Service team WhatsApp: +19862916875**

## PRODUCT KIT

- A Freestanding Bath**
- B Flexible Pipe(pre-installed)**
- C Low Profile Waste Connector (Not included)**



# BEFORE INSTALLATION

**Prior to installation, please consult the downloadable technical specification document or the product dimension drawing for your chosen bath. This will provide the exact dimensions of the design and show the position of the bath waste fitting.**

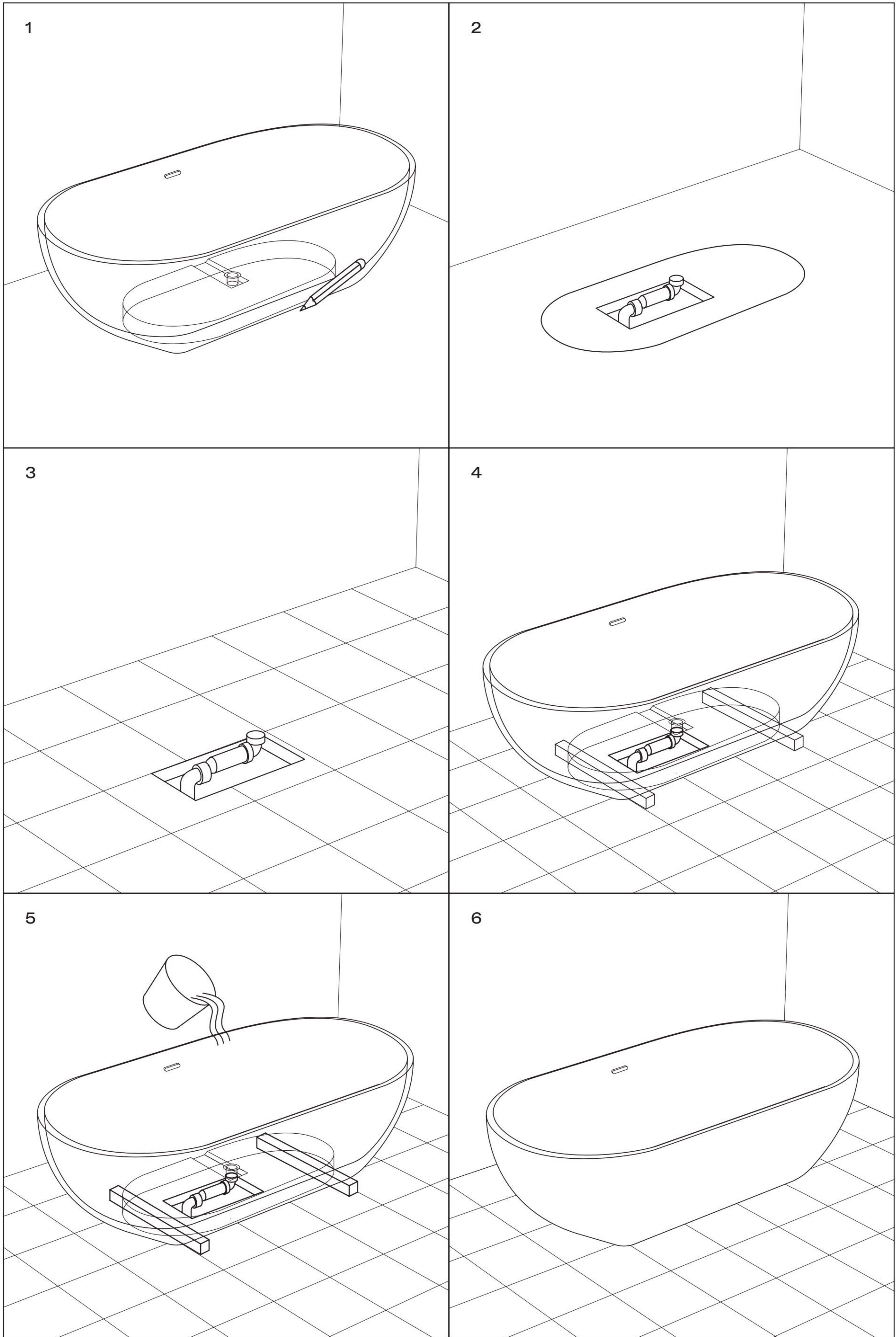
**Please note that our baths come with a pre-installed flexible pipe at the base, designed to fit within the void area between the bath and the floor. The pipe has a 32 mm diameter and an extendable length of 850mm for installation purposes. The waste connector is not provided. The pipe is compatible with all American standard bath traps and most waste connectors available in the US market. We also recommend that this bath be installed by a fully qualified plumber.**

**To avoid scratching the surface of the bath during installation, please ensure that it is covered with a soft material throughout the process.**

**Before you begin, you should also check that the floor at the installation site is level and offers sufficient support for the chosen bath design. Additionally, we advise that all water is switched off at the mains, the installation area is waterproofed, and that you carefully check all measurements and components before proceeding.**

# INSTALLATION STEPS (WOODEN FLOOR)

- 1. Mark the outline of the bath based on the floor, considering the position of the waste pipe.**
- 2. Bring the waste pipe through the floor within the outlined area.**
- 3. Complete the floor covering/tiling of the surrounding area (waterproofing is highly recommended) and ensure that the floor is level.**
- 4. Position two lengths of timber at either end of where the bath will be installed and carefully lift the bathtub onto the timber. Ensure that the bath is propped up high enough to allow you to connect the waste fitting to the trap, and make sure that the area is clean and free from debris before proceeding.**
- 5. Connect the waste pipe to the trap, taking care not to over-tighten the connector to the bath waste thread, as this can damage the internal parts of the product. Once complete, check the bath for any leaks by filling it halfway, then releasing the waste.**
- 6. When you're satisfied that there are no leaks, carefully remove the lengths of timber and gently lower the bath into its final position to complete the installation.**



# INSTALLATION STEPS (CONCRETE FLOOR)

**For concrete floors where a channel has or will be cut into the concrete floor to fit the waste pipe, please follow the installation steps below.**

## **Installation Steps:**

### **1. Create an opening in the floor for the drainage connection**

**Excavate a small section of the floor directly beneath where the bath's drainage pipe is located. This will allow the pre-installed flexible pipe at the base of the bath to connect with the waste connector pipework.**

### **2. Mark the outline of the bath base onto the floor.**

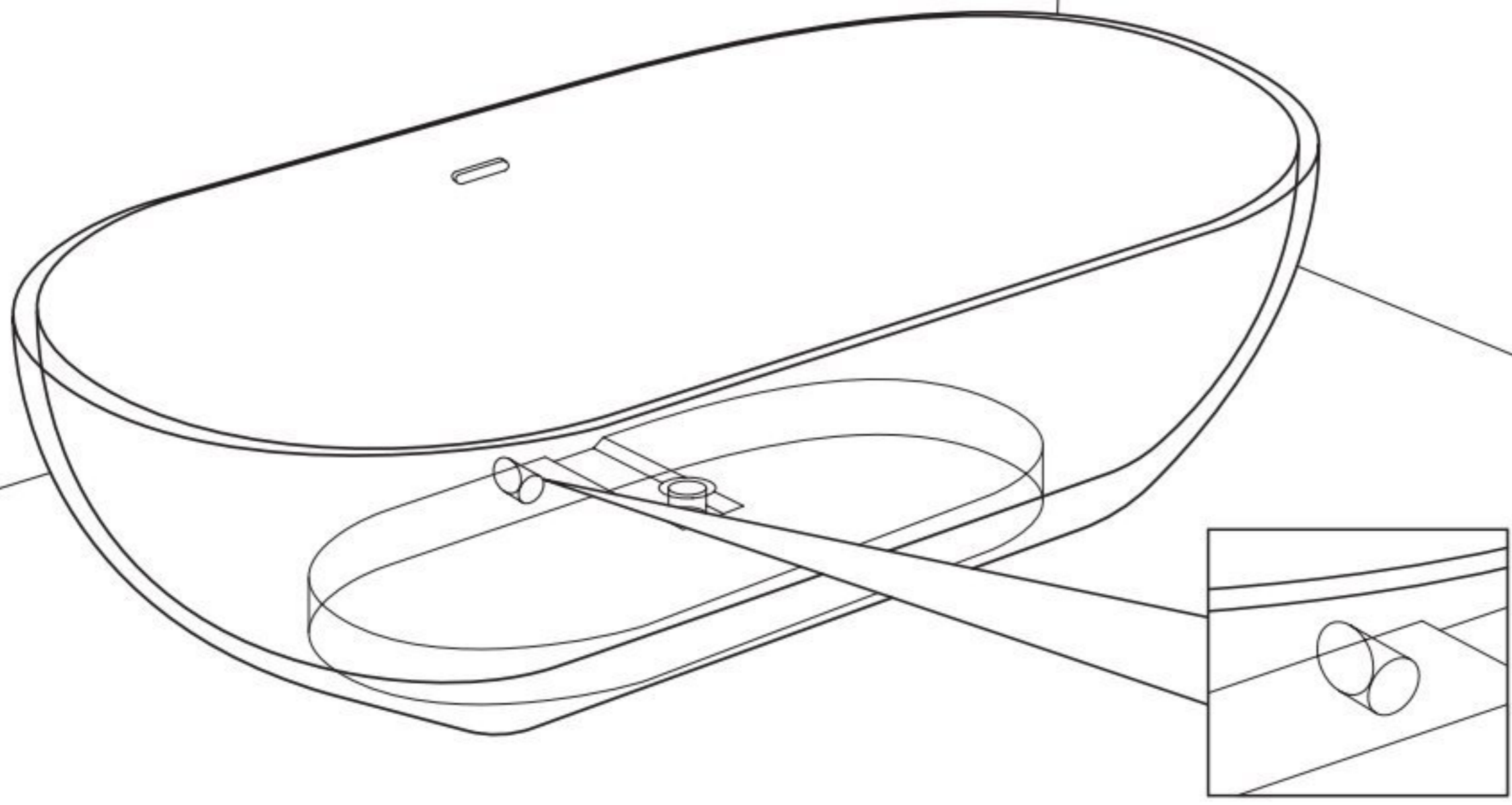
### **3. Bring the waste pipe across the floor behind the bath to the excavated area.**

**4. Position two lengths of timber at either end of where the bath will be installed and carefully lift the bath onto the timber. Ensure that the bath is propped up high enough to allow you to connect the waste fitting to the trap underneath.**

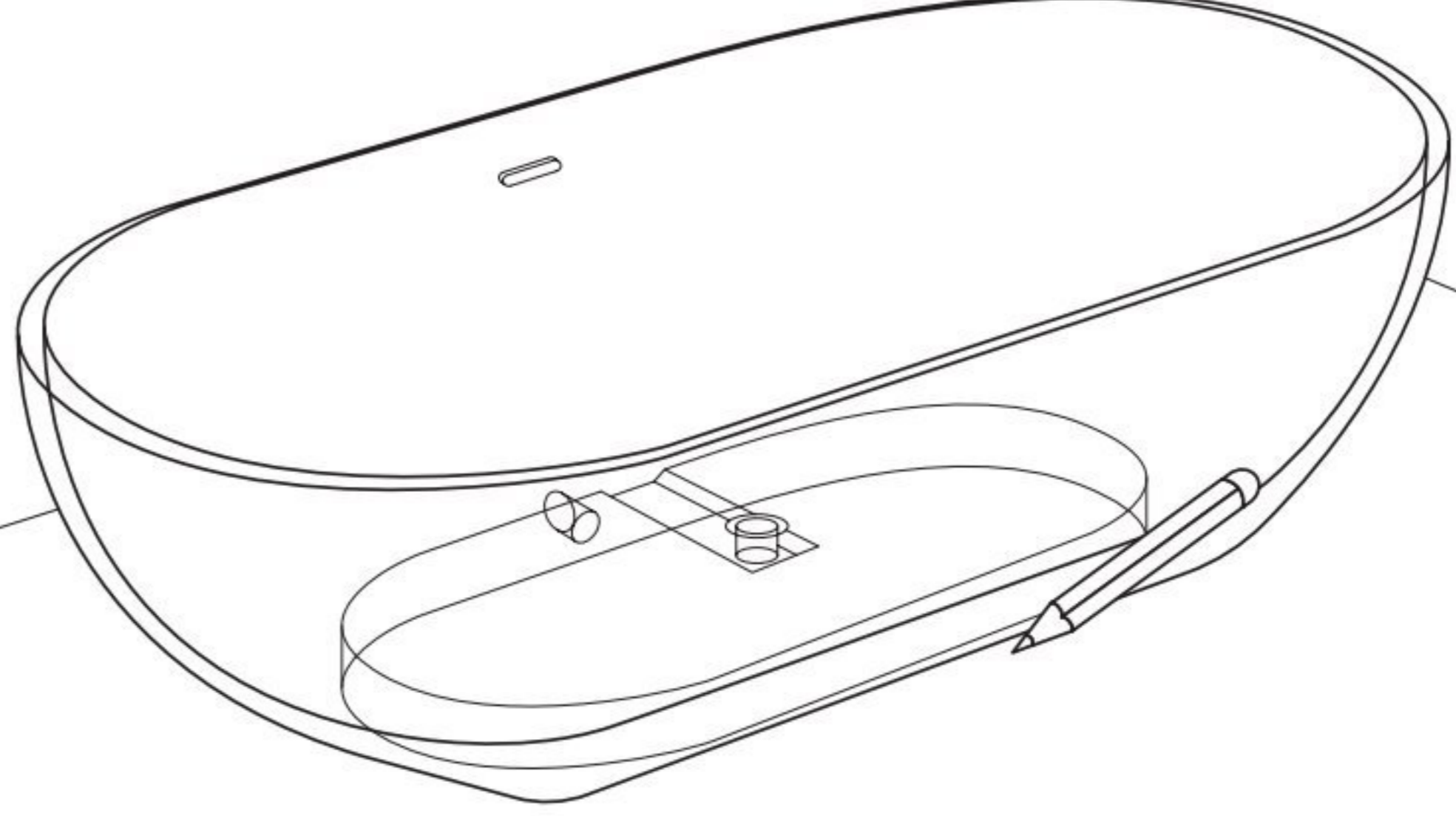
**5. Connect the waste pipe to the trap, taking care not to over-tighten the connector to the bath waste thread as this can damage the internal parts of the product. Once complete, check the bath for any leaks by filling it halfway, then releasing the waste.**

**6. When you're satisfied that there are no leaks, carefully remove the lengths of timber and gently lower the bath into its final position to complete the installation.**

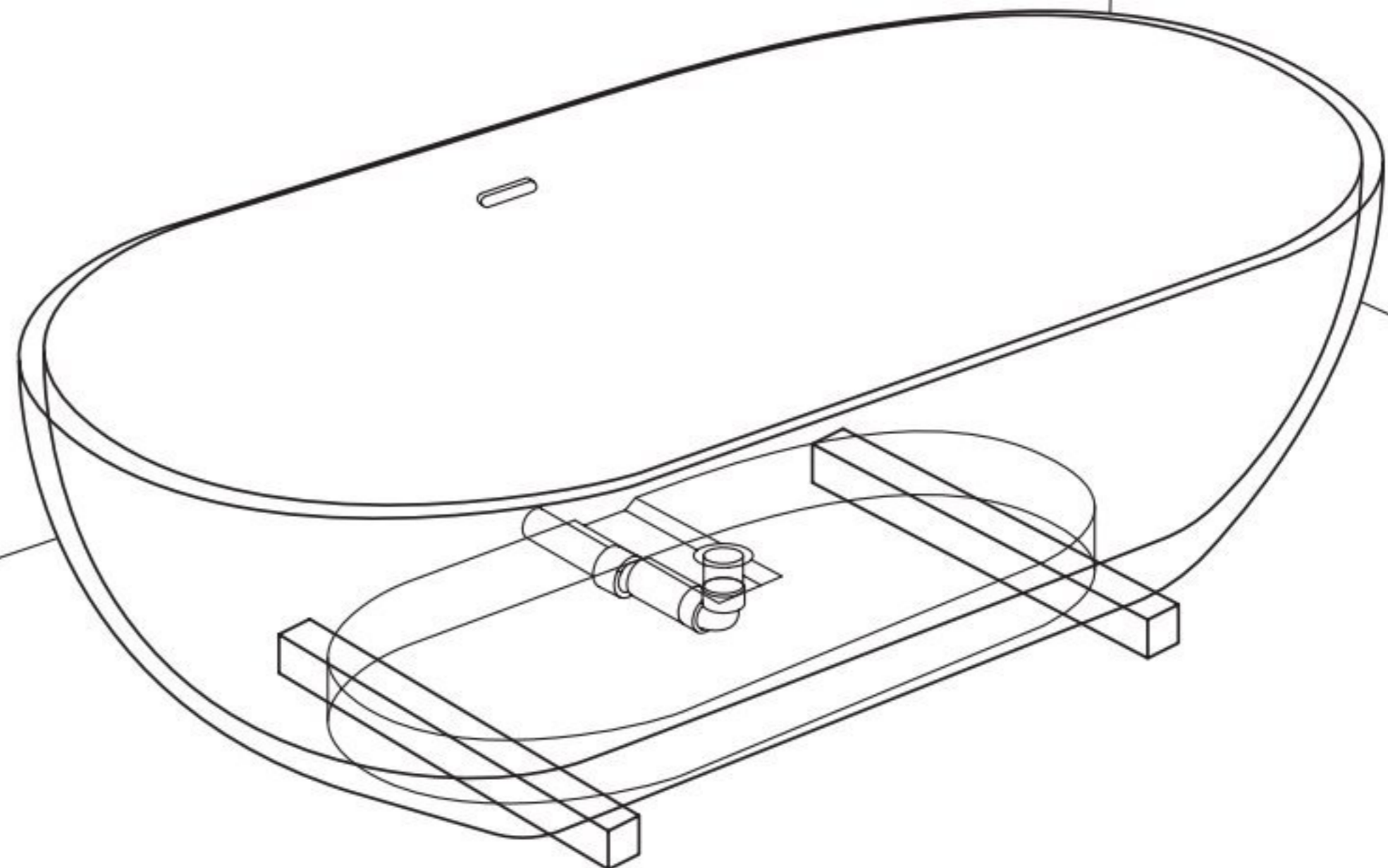
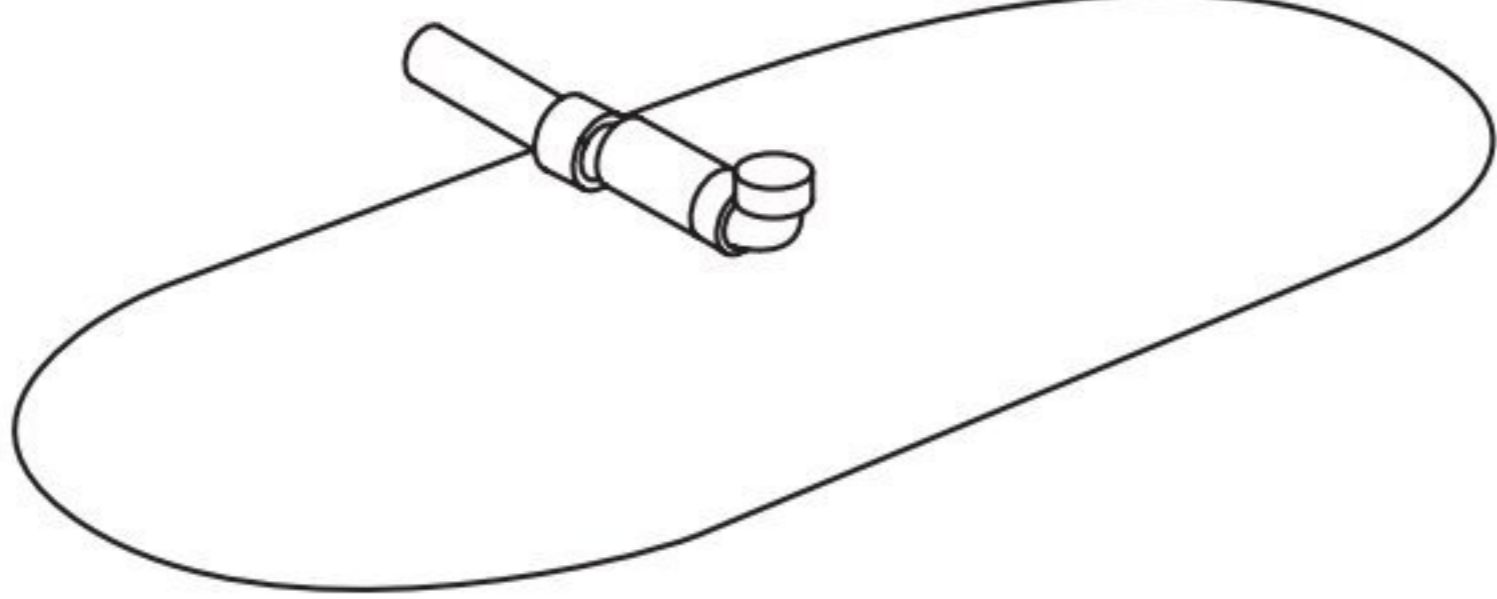
1



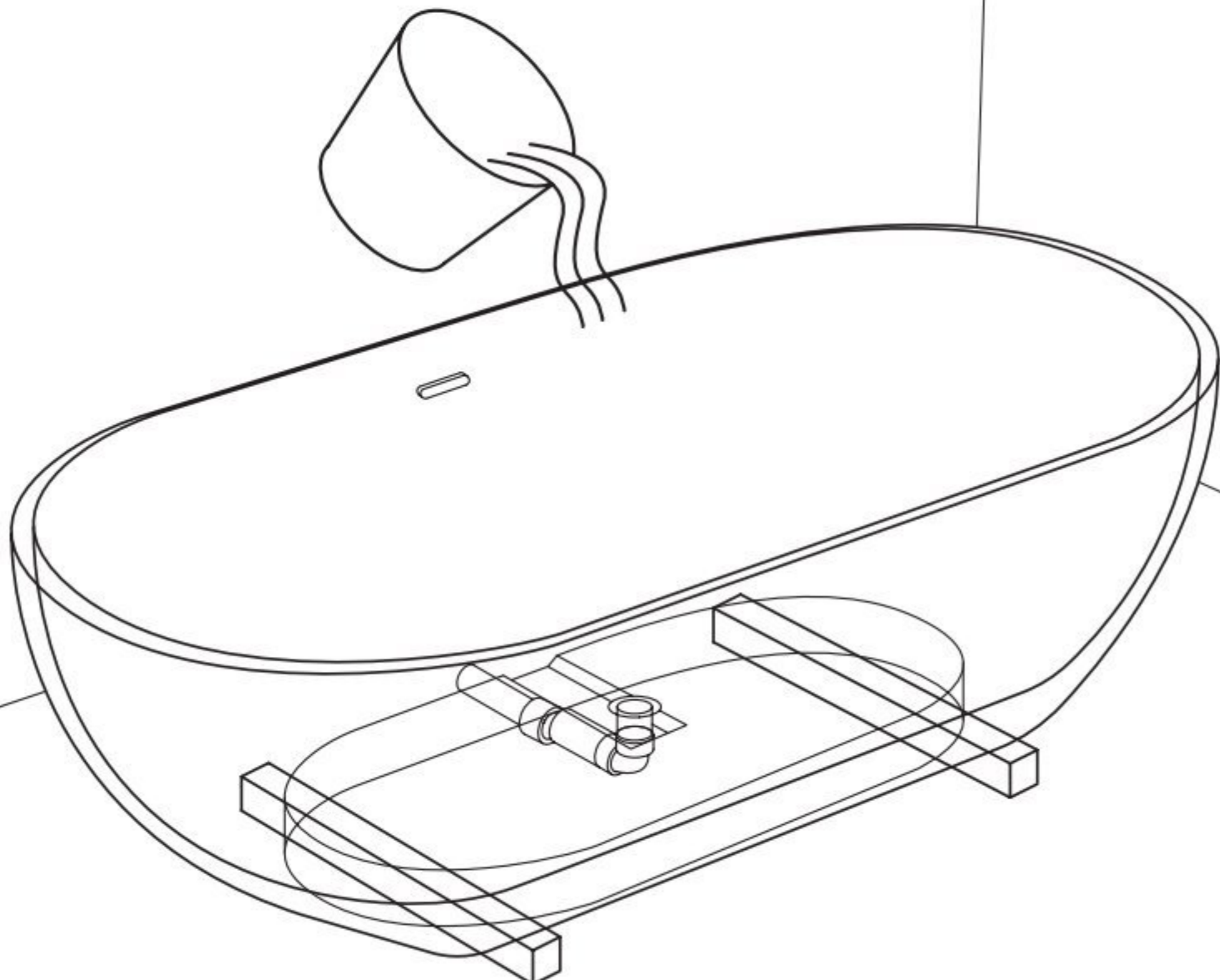
2



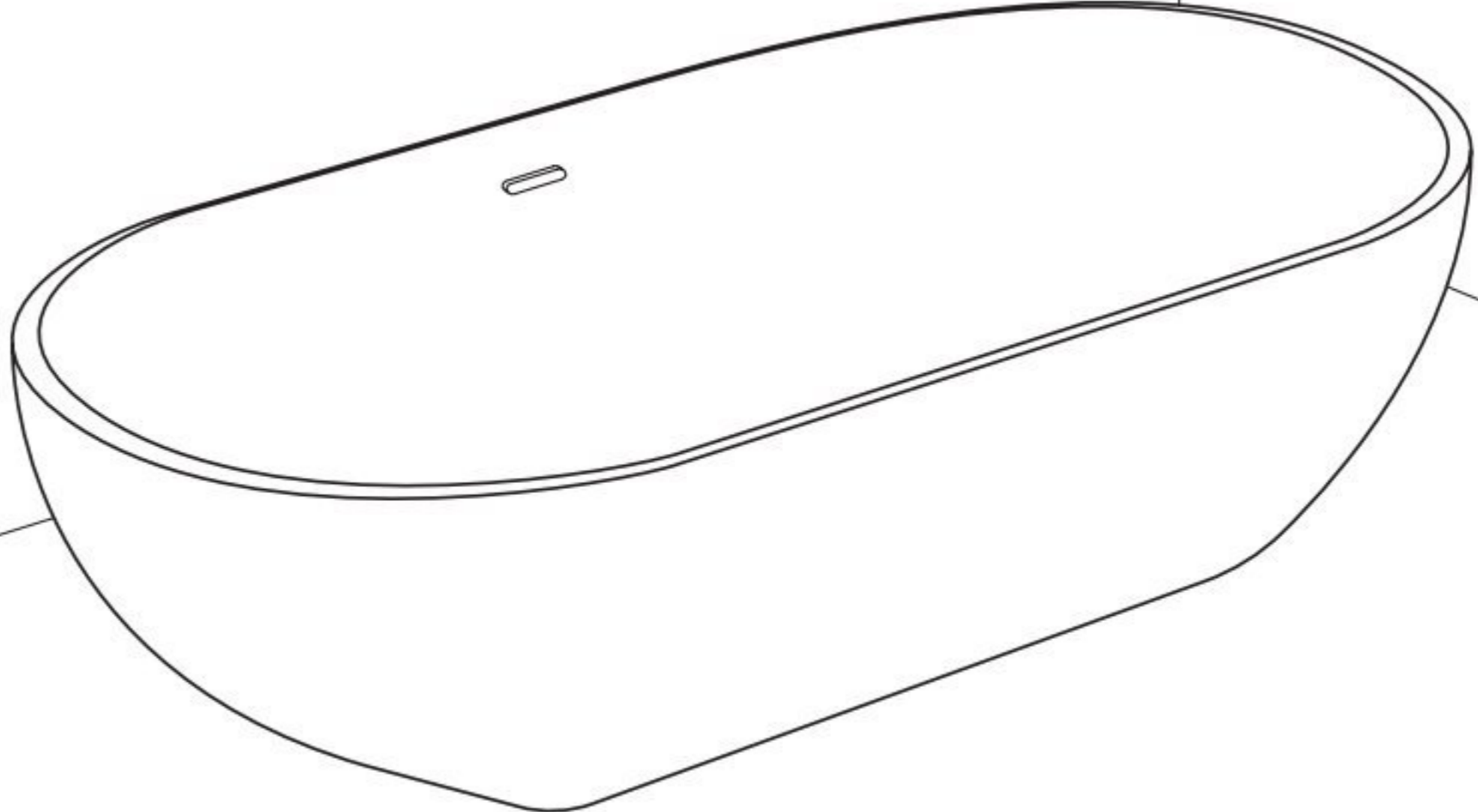
3



5



6



# CARE INSTRUCTIONS

**To clean and maintain the flawless finish of this product, please follow the instructions below. Improper maintenance will void your product guarantee.**

- ✓ **Clean the bath immediately after use using warm water and a neutral detergent.**
- ✓ **Dry with a soft cloth.**
  
- × **Do not use acidic or abrasive cleansers.**
- × **Do not clean with a concentrated bleach or concentrated cleaning product.**
- × **Do not use scouring pads or other abrasive cleaning tools.**

*Cpingao*

WhatsApp: +19862916875