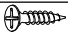
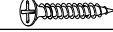

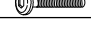
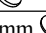





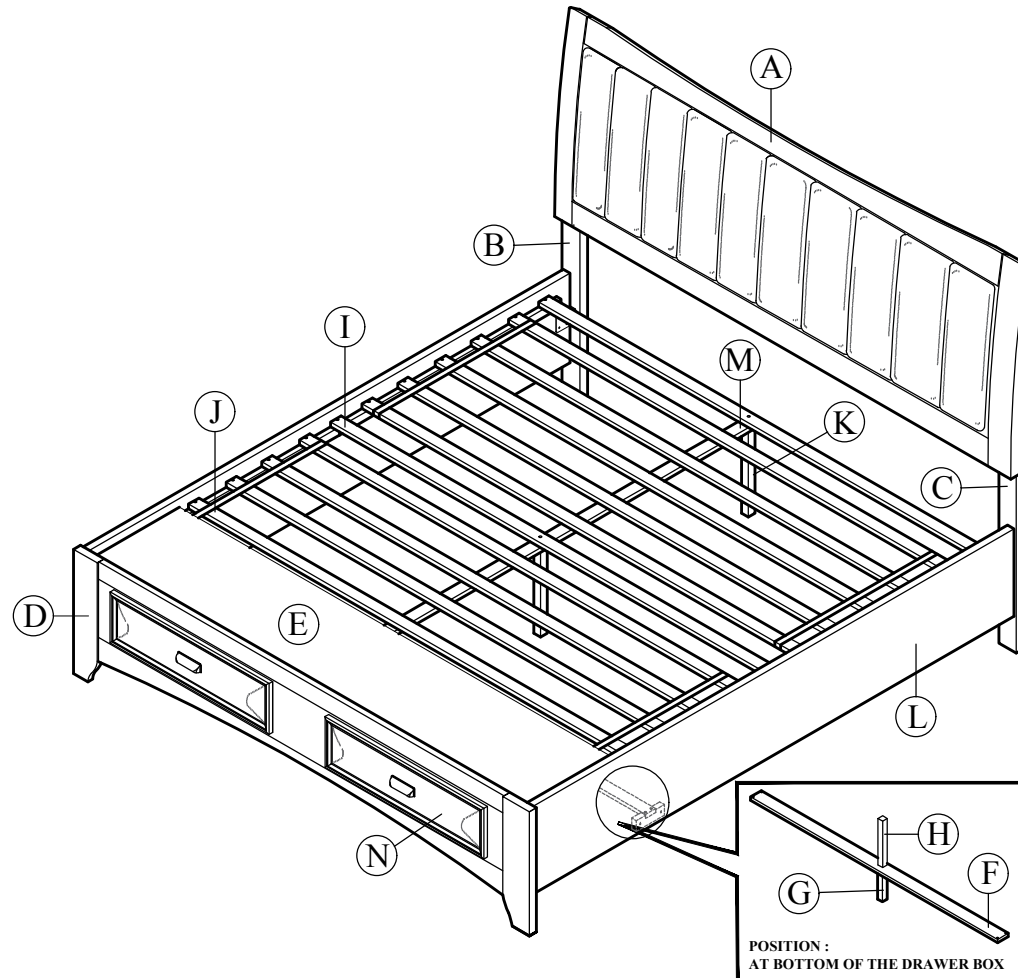
ASSEMBLY INSTRUCTION KING BED

Part List Pack In Headboard & Footboard

NO.	Descriptions	Qty.
A	Headboard Panel	1
B	Headboard Leg Left (L)	1
C	Headboard Leg Right (R)	1
D	Footboard	1
E	Slat Cover	1
F	Drawer Slat	1
G	Drawer Slat Support	1
H	Drawer Slat Stopper	1
I	Bed Slat 3 Holes	3
J	Bed Slat 2 Holes	10
K	Bed Slat Support	3
L	Side Rail	2
M	Center Slat With Slat 3 Holes	1
N	Drawer	2

Hardware List Pack In Headboard & Footboard

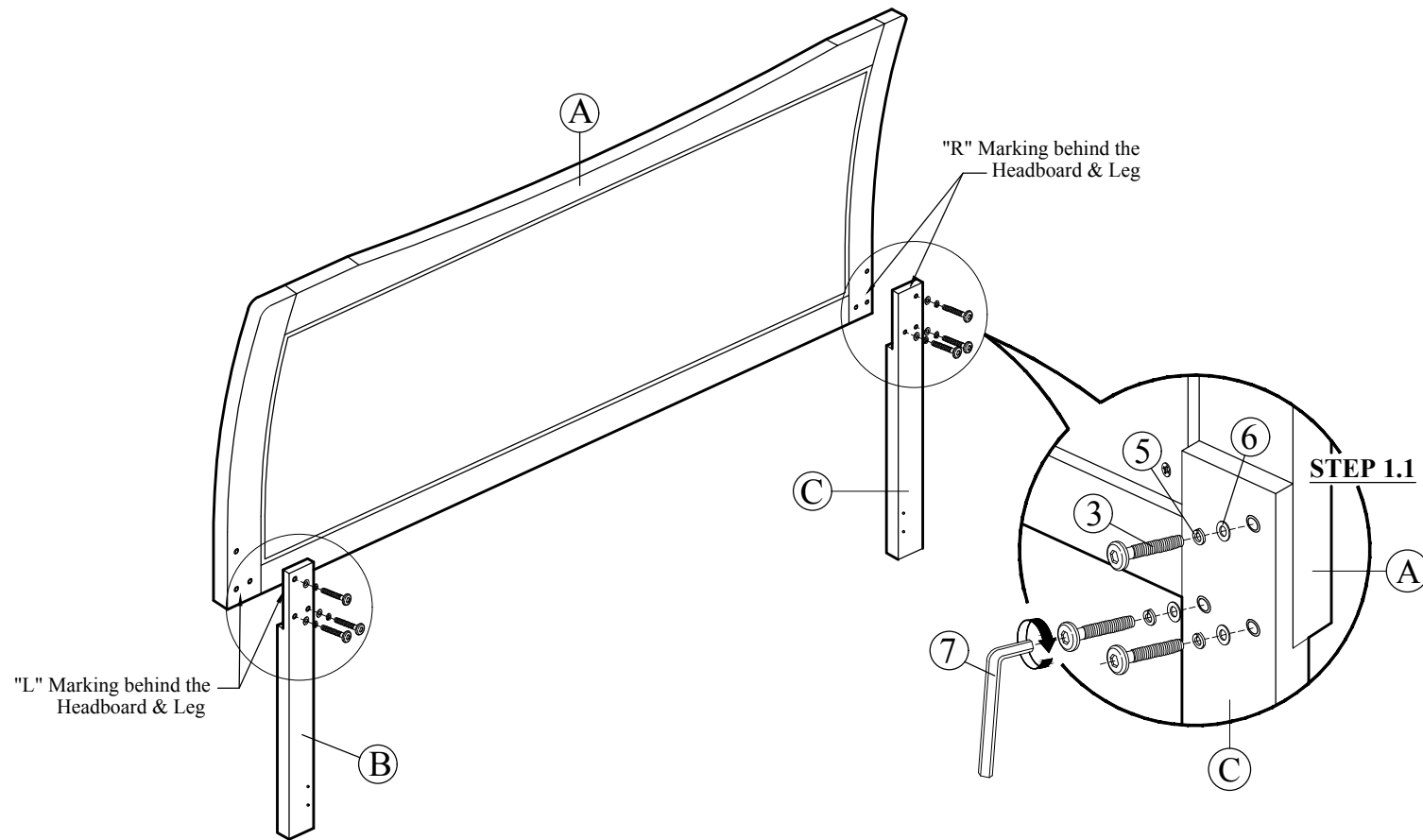
No	Descriptions	Qty
1	CSK M4 x 16mm 	7
2	CSK M4 x 32mm 	30
3	JCBC Screw M6 x 30mm 	6
4	JCBC Screw M6 x 50mm 	3
5	Spring Washer Ø1/4" 	6
6	Flat Washer Ø1/4" x 13mm 	6
7	L Key M4 	1
8	L Key M5 	1



ASSEMBLY INSTRUCTION

KING BED

STEP 1.1: Align and fasten Headboard Leg (B) & (C) to Headboard Panel (A) using JCBC M6 x 30mm (1), Spring Washer $\text{\O} \frac{1}{4}$ " (2) and Flat Washer $\text{\O} \frac{1}{4}$ " x 13mm (3) and tighten with L Key M4 (7).
Please note the marking on the leg and headboard



ASSEMBLY INSTRUCTION KING BED

STEP 2.1: Attach the Bed Rail (L) to Headboard Leg.

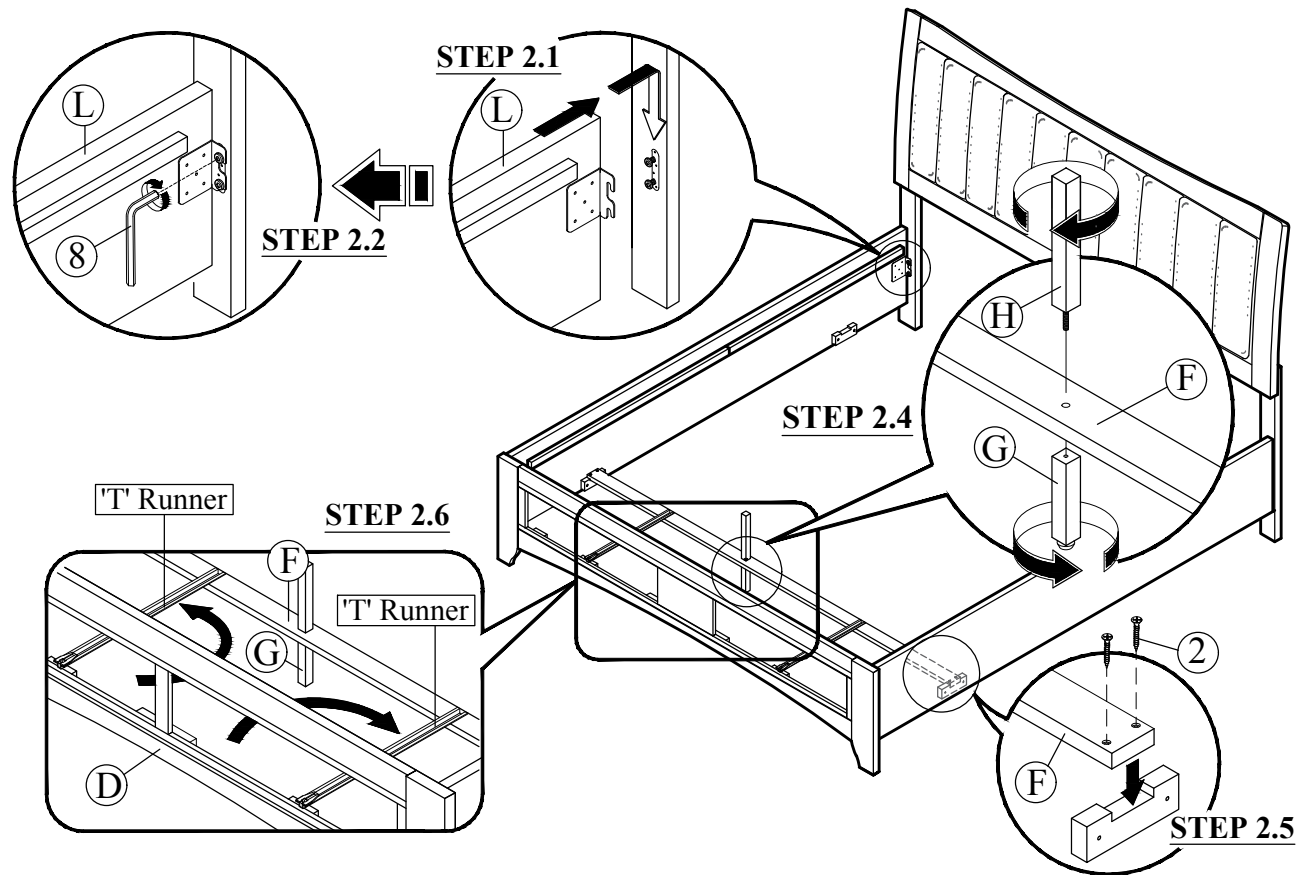
STEP 2.2: Tighten SCREW on Headboard Leg by using L KEY M5 (8) & repeat the same step on Footboard (D).

STEP 2.3: Move the bed to the desired position.

STEP 2.4: Attach the Drawer Slat (F) each to a Drawer Slat Support (G) & fix with Drawer Slat Support Stopper (H).

STEP 2.5: Fix the Drawer Slat (F) to Bed Rail (L) with CSK M4 x 32mm (2).

STEP 2.6: Move 'T' Runner at Footboard (D) to Drawer Slat (F).



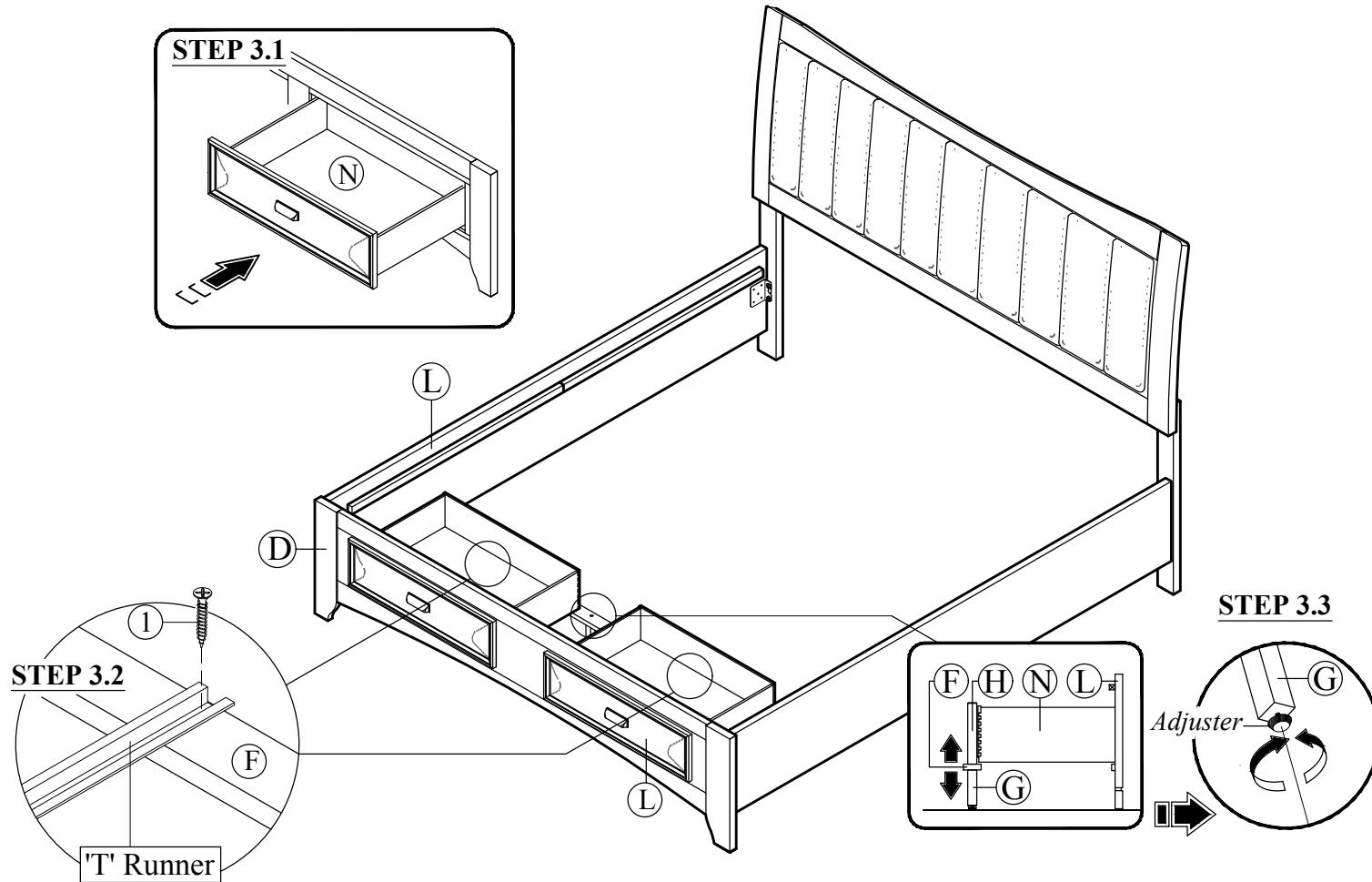
ASSEMBLY INSTRUCTION

KING BED

STEP 3.1: Insert Drawer (N) to Footboard (D) until completely closed.

STEP 3.2: Tighten 'T' Runner at Footboard (D) to Drawer Slat (F) with CSK M4 x 16mm (1).

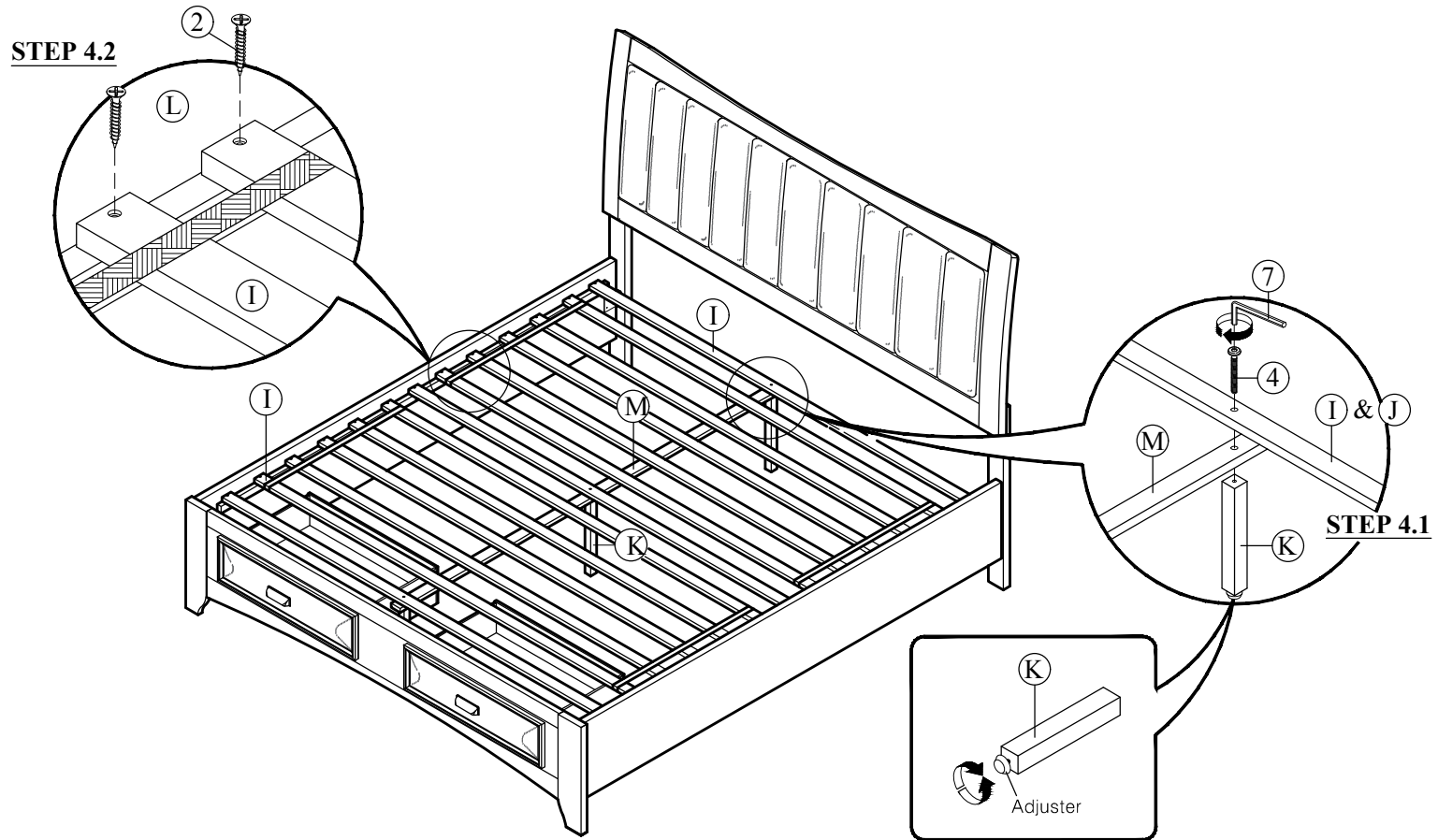
STEP 3.3: If Drawer (N) does not close properly, adjust the adjuster at the bottom of Drawer Slat Support (G) up or down until the Drawer (N) closes tightly.



ASSEMBLY INSTRUCTION KING BED

STEP 4.1: Attach the Center Slat (M), Bed Slat (I)&(H) to Bed Slat Support (K). Tighten with JCBC M6 x 50mm (4) by using L KEY M4 (7).

STEP 4.2: Attach Bed Slat (I)&(H) Bed Slat Support (K) and tighten to Bed Rail (L) with CSK M4 x 32mm (2).



ASSEMBLY INSTRUCTION KING BED

STEP 5.1: Attach the Slat Cover (E) to top Bed Slat (I) & (J) .

STEP 5.2: Close the distance Slat Cover (E) to Footboard (D). Tighten Slat Cover (E) to Wood at Footboard (D) with CSK M4 x 16mm (1).

