

Modern Tiered Crystal Chandelier Installation Instructions

Caution. Please turn off power before installation and read the manual carefully, we advise you contact professional electricians to install for safety purpose.

Product Features

Style: Modern /Luxury

Material: Metal /Crystal

Color: Chrome

Base Type: E14

Light Source Included: No

Voltage: 220V AC

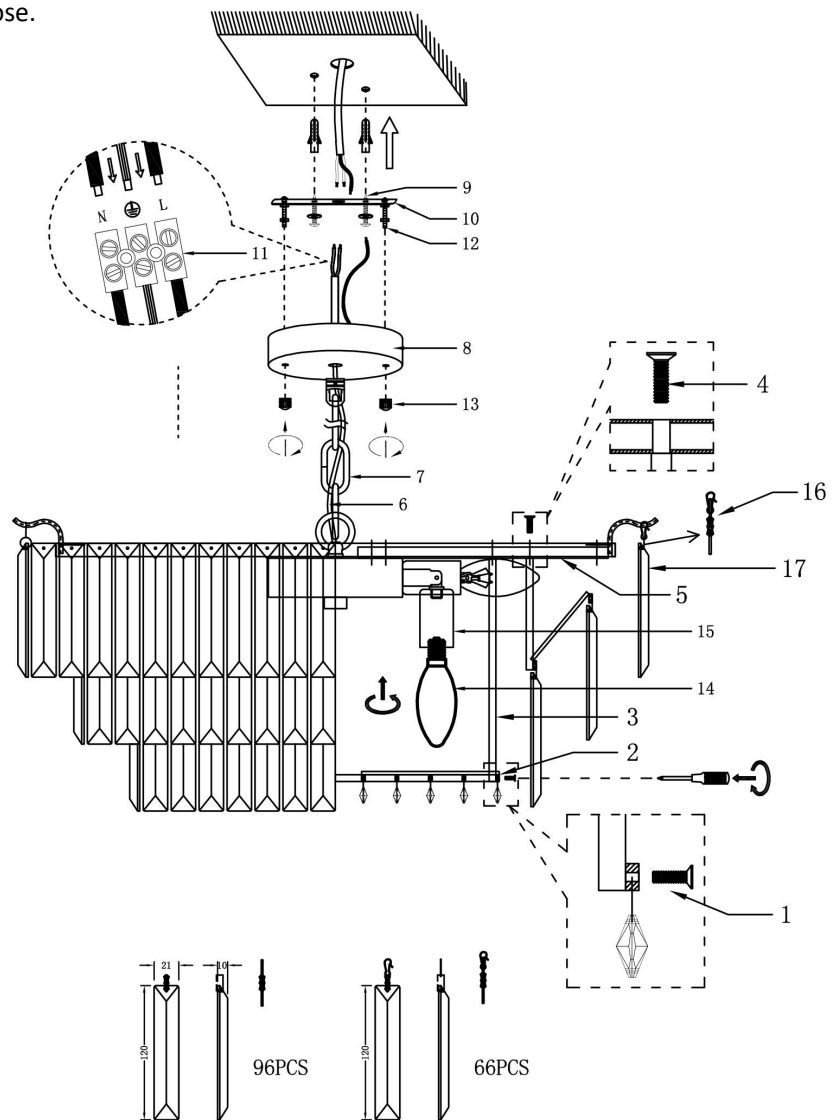
Wattage: 60W Max

Package includes

1 x Chandelier Light

1 x Accessories Kit

1 x User's Manual



14#-121PCS

Installation Instructions

A: Use screws (1) to lock the bottom ring (2) and the tube(3), and then use screws (4) to lock the tube (3) and the lamp Frame(15);

B: Pass the main line (6) through the hanging chain (7) and then pass it out from the canopy(8);

C: Fasten the mounting plate (10) to the ceiling with screws (19);

D: With the terminal cap(11),connect the positive pole (L) of the main wire (6) to the positive pole (+) of the wire reserved on the junction box. Similarly, connect the negative pole (N) to negative pole (-) together. And then connect the yellow-green wire of the main wire (6) and the yellow-green wire of the junction box through terminal cap (11). Please Note that the bare wire cannot be exposed to prevent leakage;

E: Pass the screws (12) through the two small holes on the canopy (8), and then tighten the cap nut (13) to fix the lamp. Finally, install the light source (14) into the lamp holder (15) ;

F: Use the crystal connectors(clips) (16) to install the crystals (17) on the chandelier.

Note. please use this product accordingly to its intended purpose, do not retrofit or remodeling the product. The warranty does not cover if the failure is caused by the third party product, or natural disasters.

Made in China