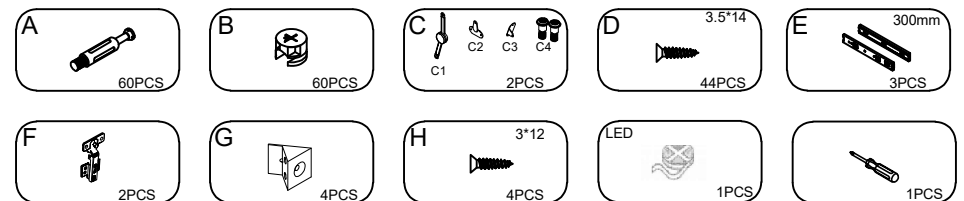
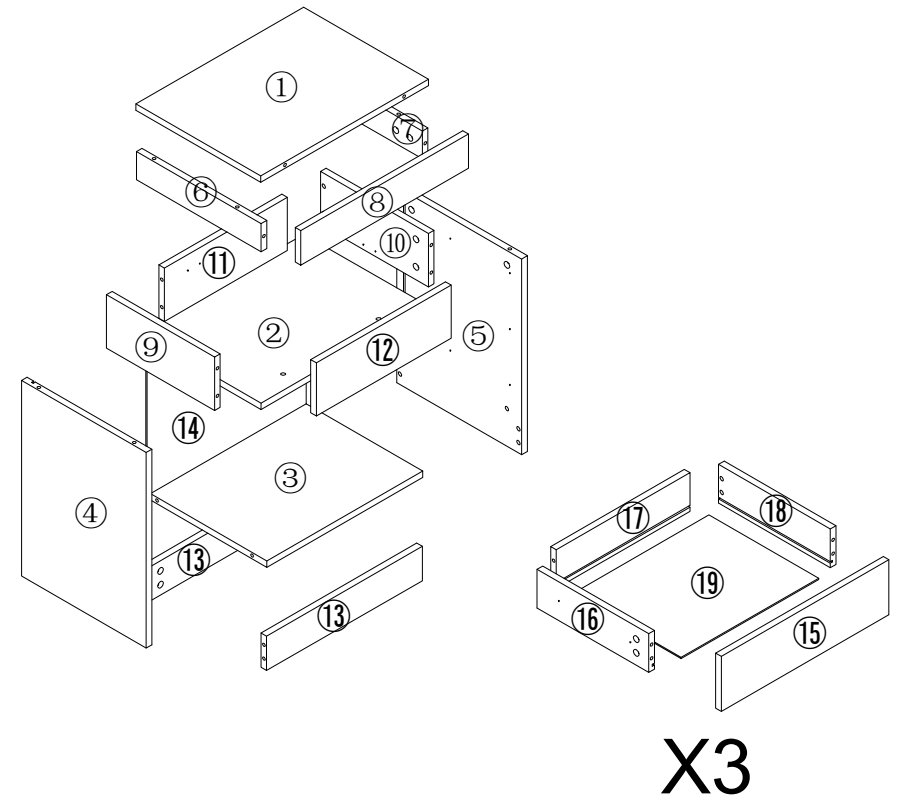
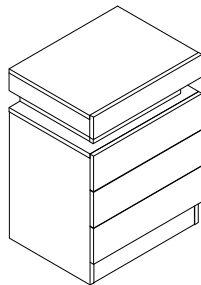


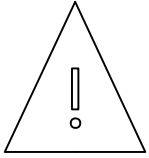
ASSEMBLY INSTRUCTION

- IT would be best if you set aside and organize all pieces & corresponding “nuts/bolts” first.
- Please follow the instructions to assemble the items correctly.
- Could be assembled by one person ,but would recommend two.
- Please ensure the safety of the glass when assembling.
- Do not make the screws too loose or too tight.
- As shown in the figure ,Insert the screw into the hole.
The arrow in the picture .Then rotate 90° or 180° clockwise.
- The remaining parts are spare parts.

SAFETY INFORMATION

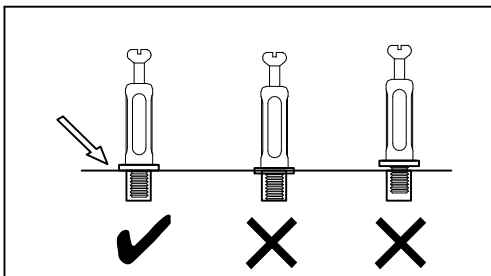
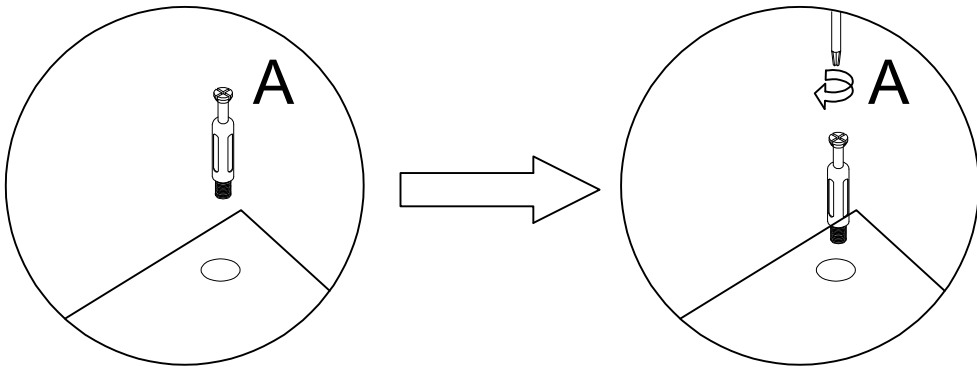
- The accessory bag contains some small accessories, which should be kept away from children.
- Kids are not allowed to climb or play with the product for safety reasons.



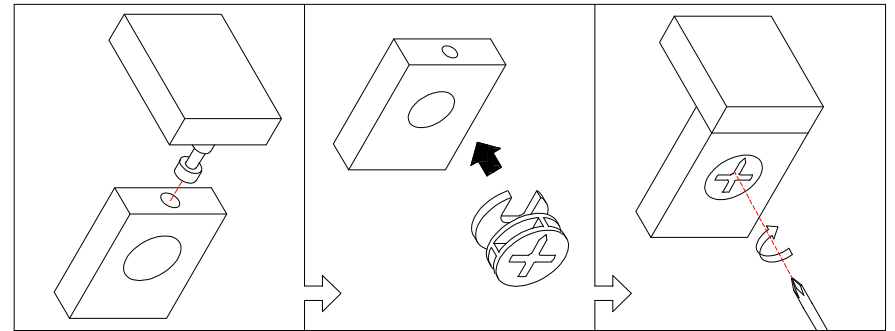


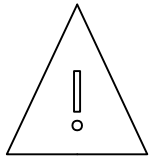
Hardware installation demonstration

- Please make sure "A" hardware tightened and can't be pulled out



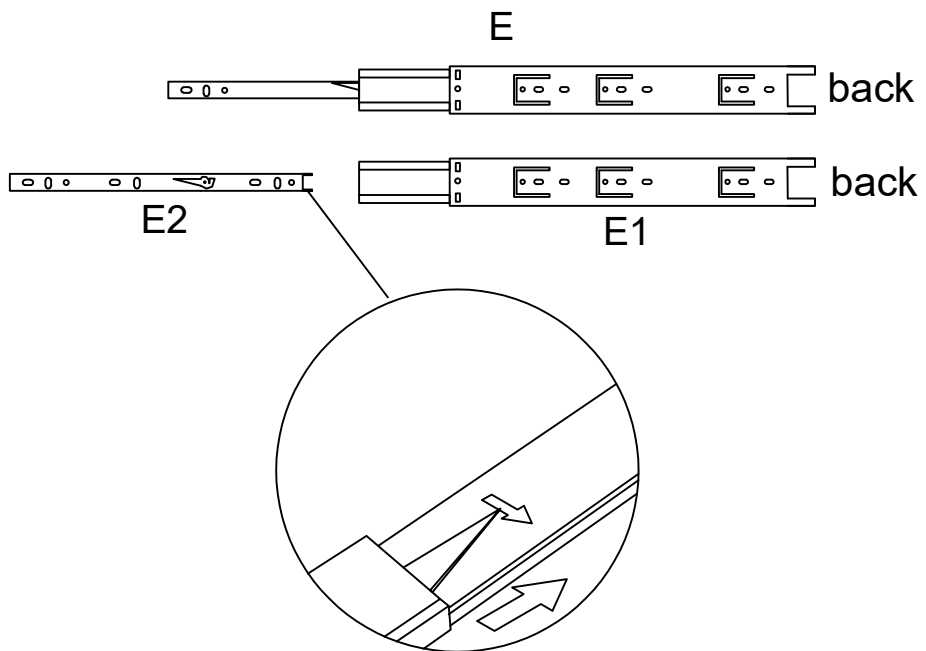
- When inserting cam ensure arrowhead on cam points toward to the hole on the panel edge



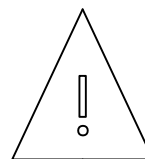


Hardware installation demonstration

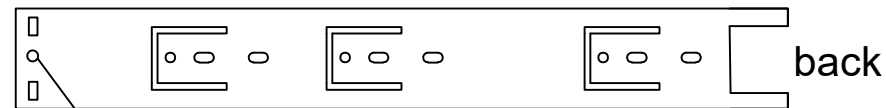
- Before installing the drawer rail, you need to separate the E1 and E2 first.



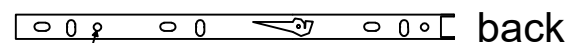
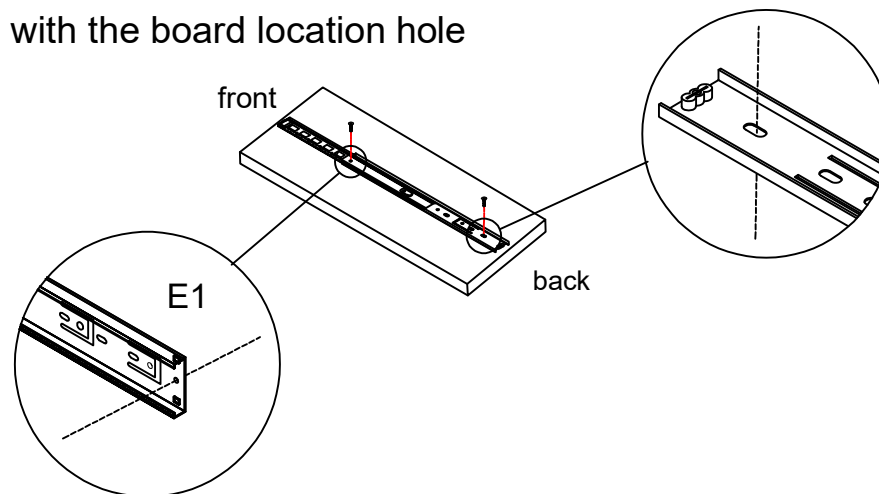
Warm Reminder : Press it and split.



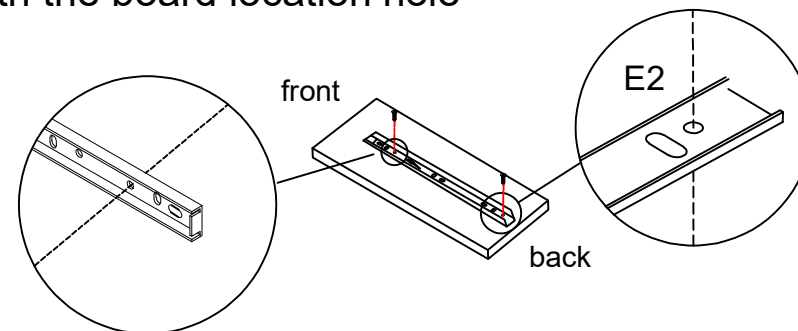
Hardware installation demonstration



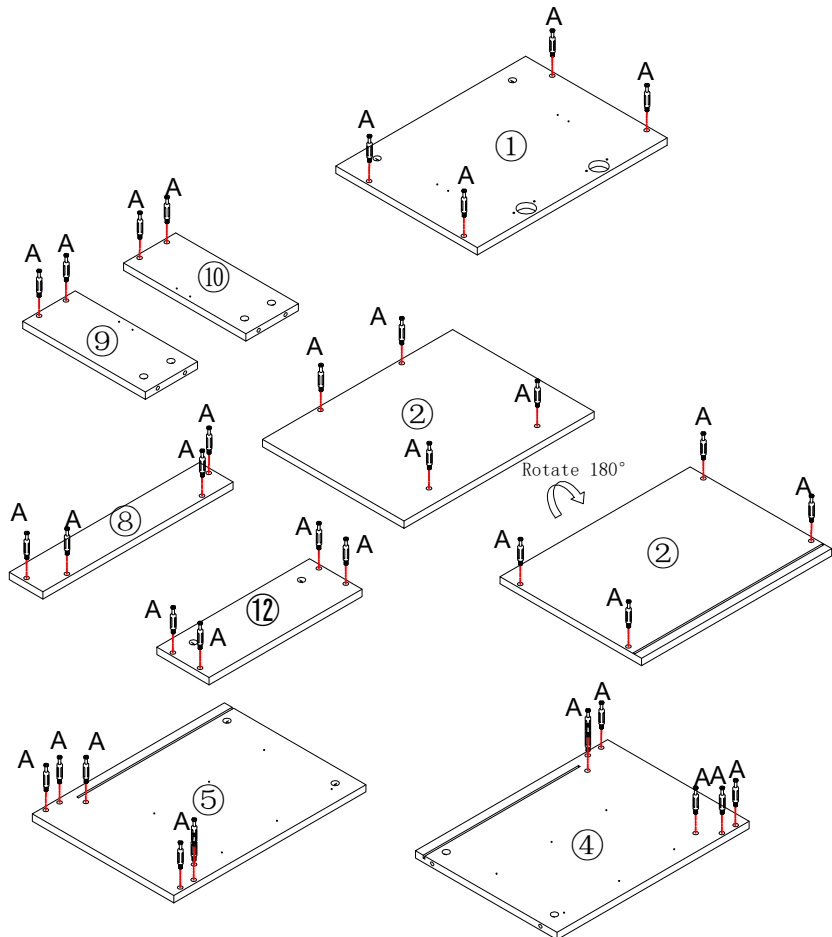
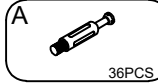
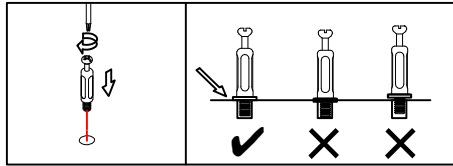
The first screw hole should corresponded with the board location hole



The first screw hole should corresponded with the board location hole

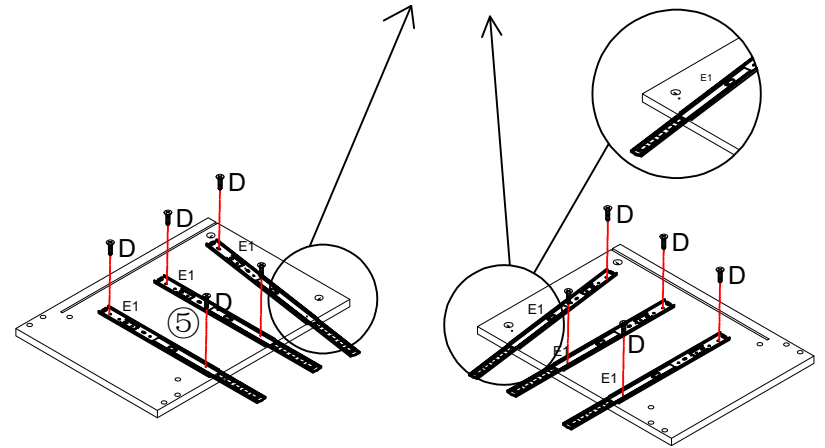
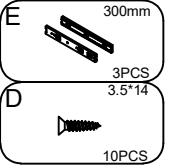


STEP 1

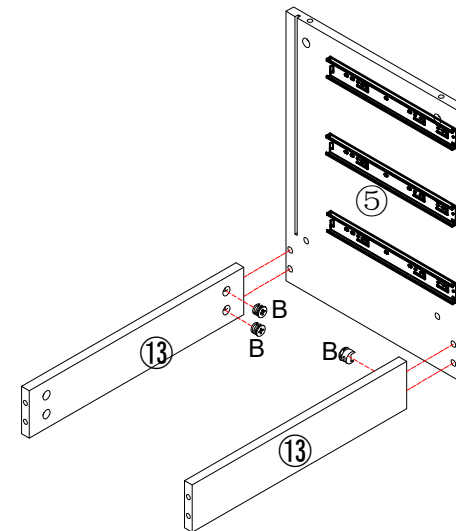
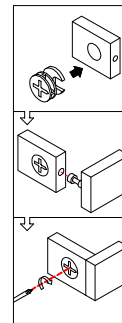


STEP 2

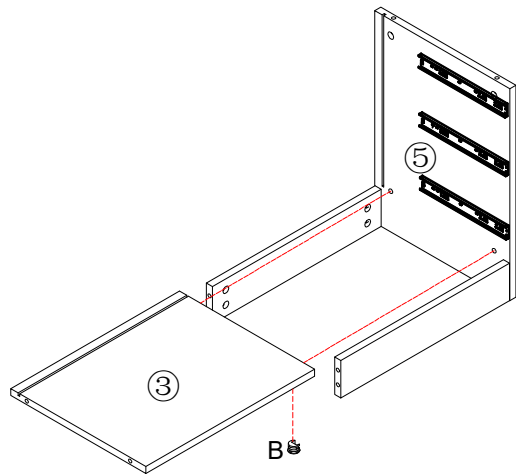
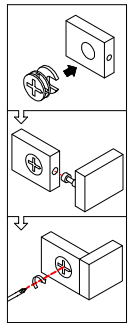
Tips: Don't fix this end of the guide rail with screws yet. Wait until the cam lock at this position is fixed. Otherwise the rail will block the hole behind it.



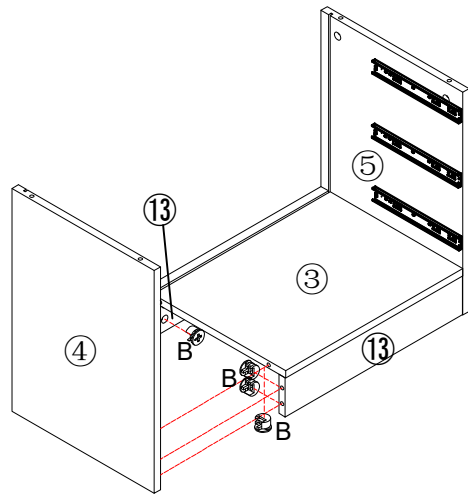
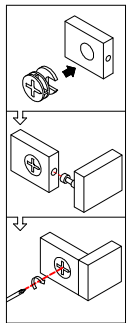
STEP 3



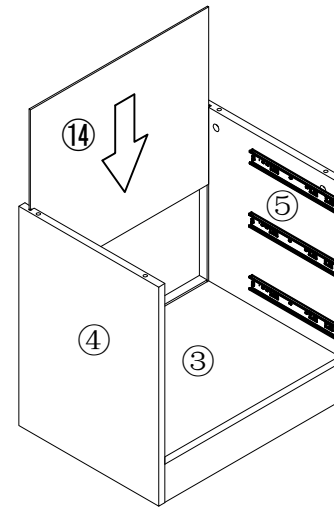
STEP 4



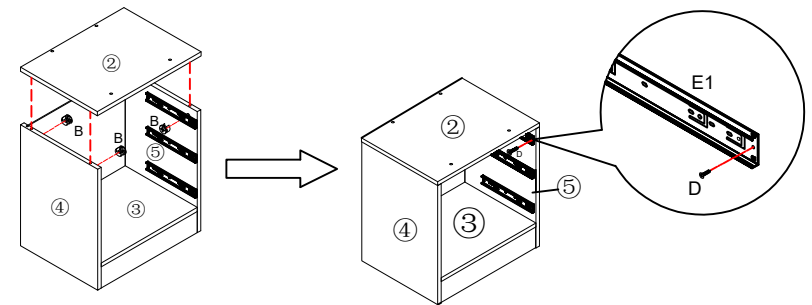
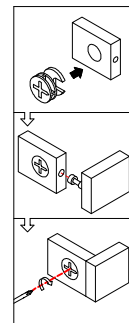
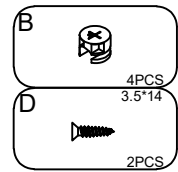
STEP 5



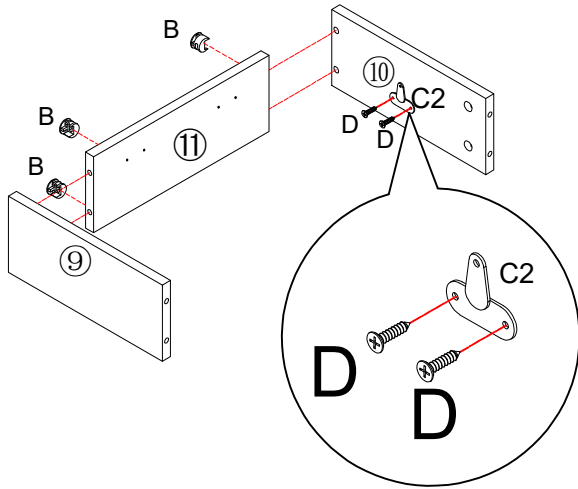
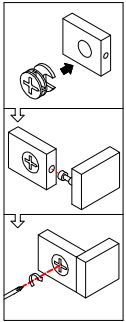
STEP 6


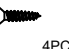
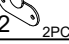


STEP 7

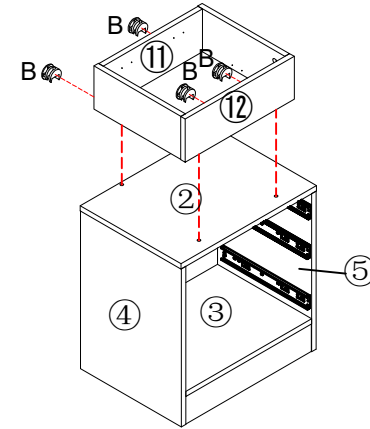
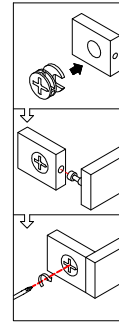


STEP 8



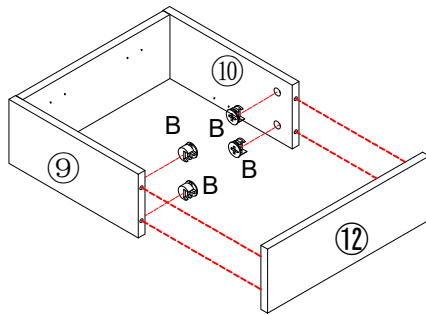
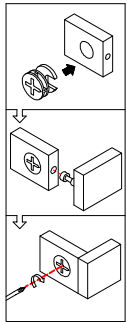
- B  4PCS
- D  3.5*14 4PCS
- C  C2 2PCS

STEP 10



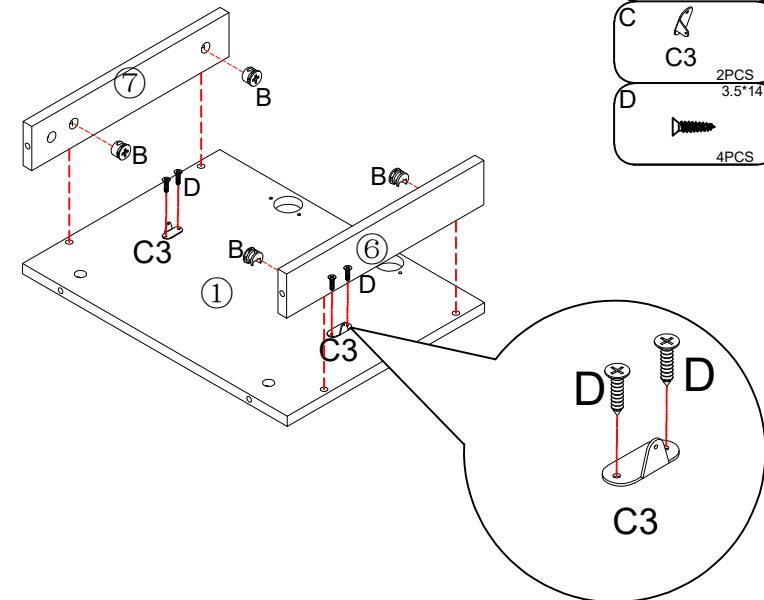
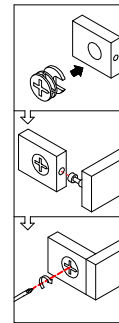
- B  4PCS


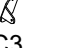

STEP 9



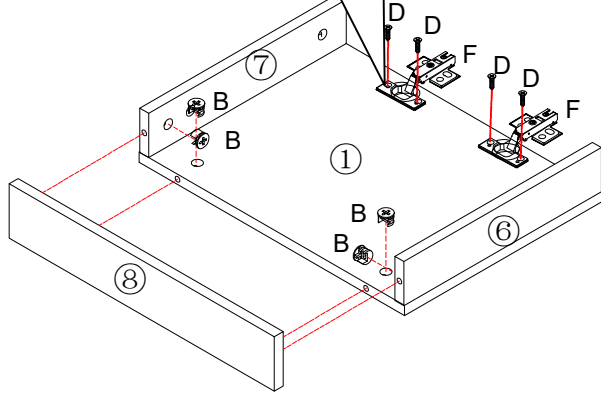
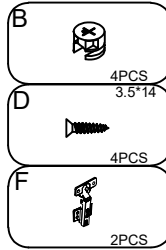
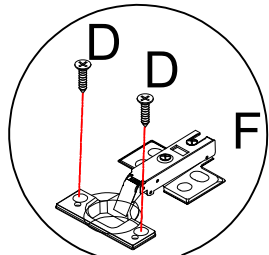
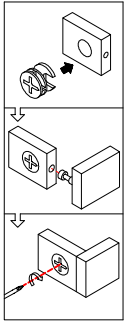
- B  4PCS

STEP 11



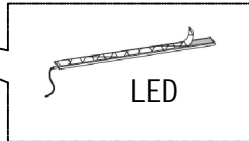
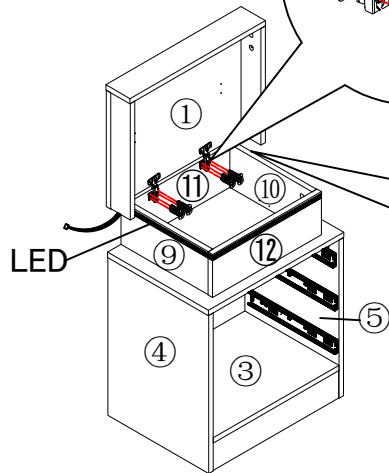
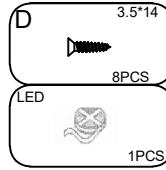
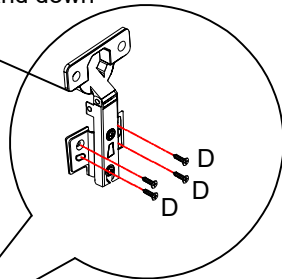
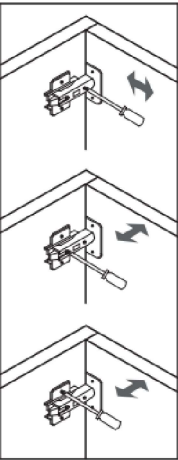
- B  4PCS
- C  C3 2PCS
- D  3.5*14 4PCS

STEP 12



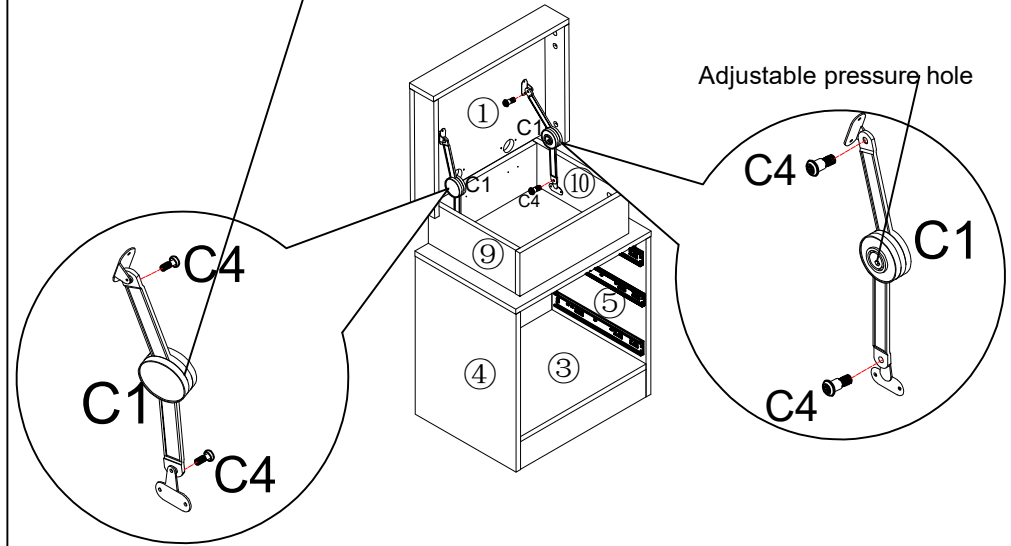
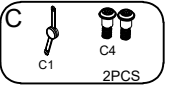
STEP 13

Adjust back and forth, up and down

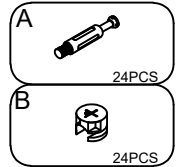
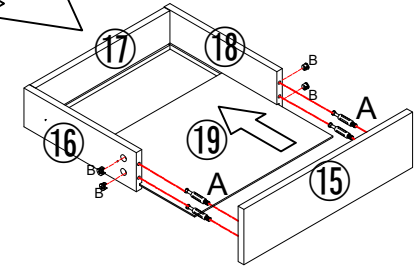
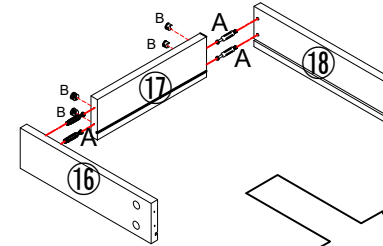
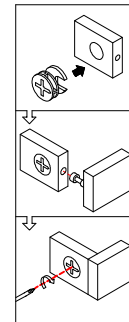


STEP 14

When installing C1, place the adjustable pressure holes opposite each other, with the three circles facing forward

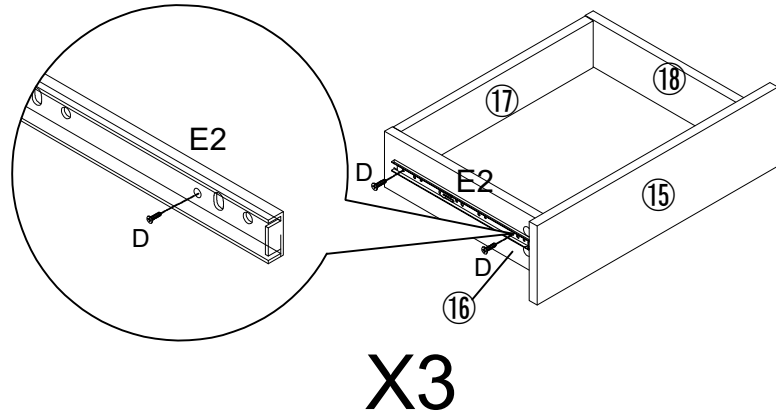
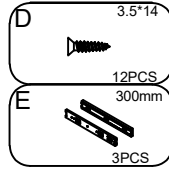


STEP 15



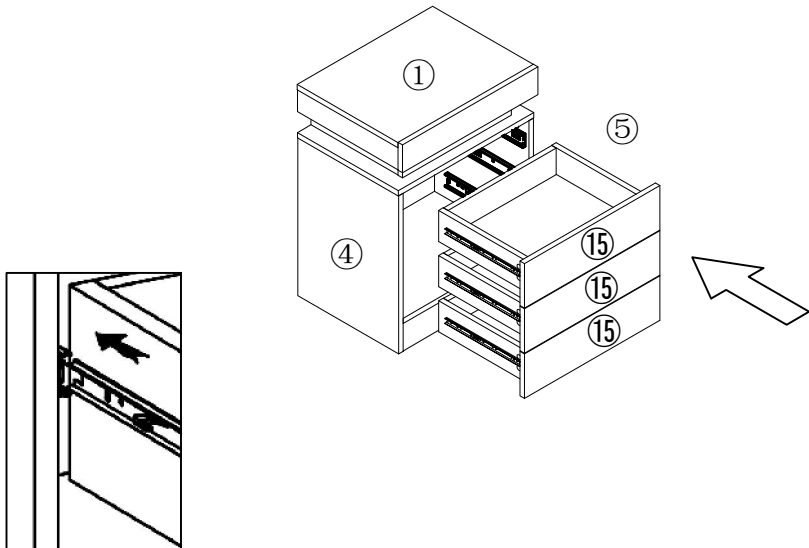
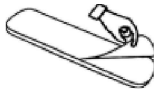
X3

STEP 16



STEP 17

For the high gloss panel, please peel off the plastic film after assembling



STEP 18

