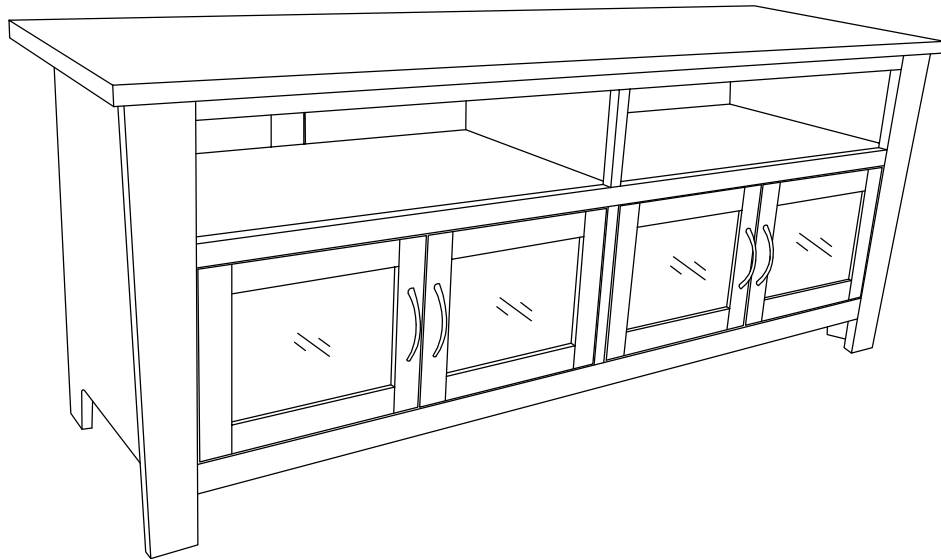


Assembly Instructions

For more information contact our service team.



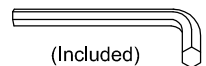
ASSEMBLY RATING

The Assembly Rating is a 5-point system that shows the degree of effort needed in assembling a specific product (with 1 being easy and 5 being difficult). For some products, two persons are recommended.

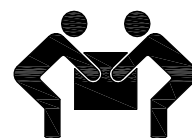


Tools Required For Assembly:

Allen Wrench



(Included)



2 PERSONS RECOMMENDED

ASSEMBLY & CARE ADVICE

FOR YOUR FURNITURE TO LAST, CORRECT ASSEMBLY AND PROPER MAINTENANCE ARE NECESSARY. PLEASE FOLLOW THE INFORMATION PROVIDED BELOW TO FULLY ENJOY YOUR FURNITURE.

BASIC ASSEMBLY TECHNIQUES



When lock or spring washer is used in an assembly, please make sure the lock or spring washer is placed between the larger flat washer and the head of the screw or bolt.



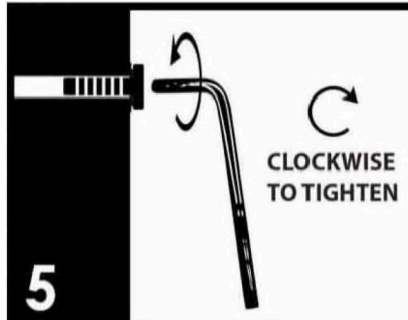
Position each part correctly and insert screws or bolts into their respective holes by hand tighten or using the proper hand tool. Only tighten when step is completed or when instructed to do so.



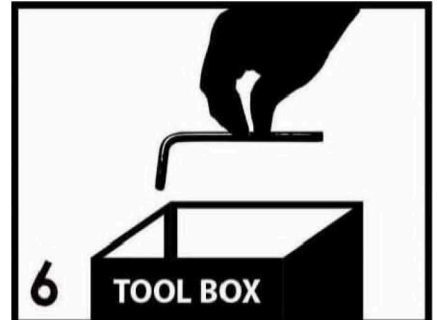
Use cardboard or carpet area when assembling furniture to prevent scratches. Make sure the furniture rests on a flat and level surface with each leg evenly touching the floor.



Some furniture comes with height adjustment knobs underneath each leg. To lower or to raise each leg, you need to turn clockwise or counterclockwise, respectively.

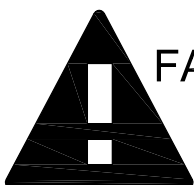


Make sure all parts are properly aligned, then use the appropriate hand tool to completely tighten the bolts or screws. Do not use power tools and do not overtighten.

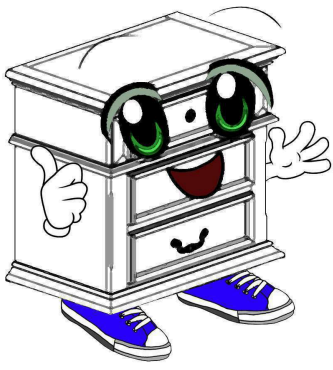


Save the instructions and store the Allen wrench or any supplied tool for later maintenance. After two weeks, check and tighten any loose hardware and repeat again every six months thereafter.

IT IS THE USER'S RESPONSIBILITY TO MAINTAIN THE FURNITURE. THE HARDWARE MAY LOOSEN OVER TIME AND MAY CAUSE THE FURNITURE TO BE WOBBLY AND UNABLE TO SUPPORT ITS INTENDED WEIGHT CAPACITY. THIS MAY LEAD TO COLLAPSE AND MAY CAUSE SERIOUS INJURY.



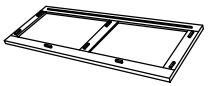
FAILURE TO FOLLOW THE GUIDELINES ABOVE MAY RESULT IN INJURY AND/OR PROPERTY DAMAGE.



Before you begin, please read Page 2 of "Assembly and Care Advice".

And remember, do not tighten until each step is completed or instructed.

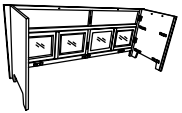
Parts List



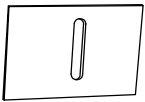
#1 x 1pc
Top Panel



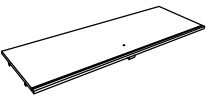
#2 x 1pcs
Medium Panel



#3 x 1pcs
Front Frame



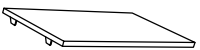
#4 x 2pcs
Back Panel



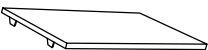
#5 x 1pc
Bottom Panel



#6 x 2pcs
Support Leg



#7 x 4pc
Right Shelf

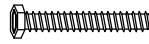


#8 x 1pc
Left Shelf

Hardware List



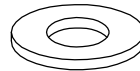
#A x 1pc
Allen Wrench M4



#B x 8pcs
Bolt Ø1/4"X1-1/4"



#C x 8pcs
Lock Washer Ø1/4"



#D x 8pcs
Flat Washer Ø1/4"

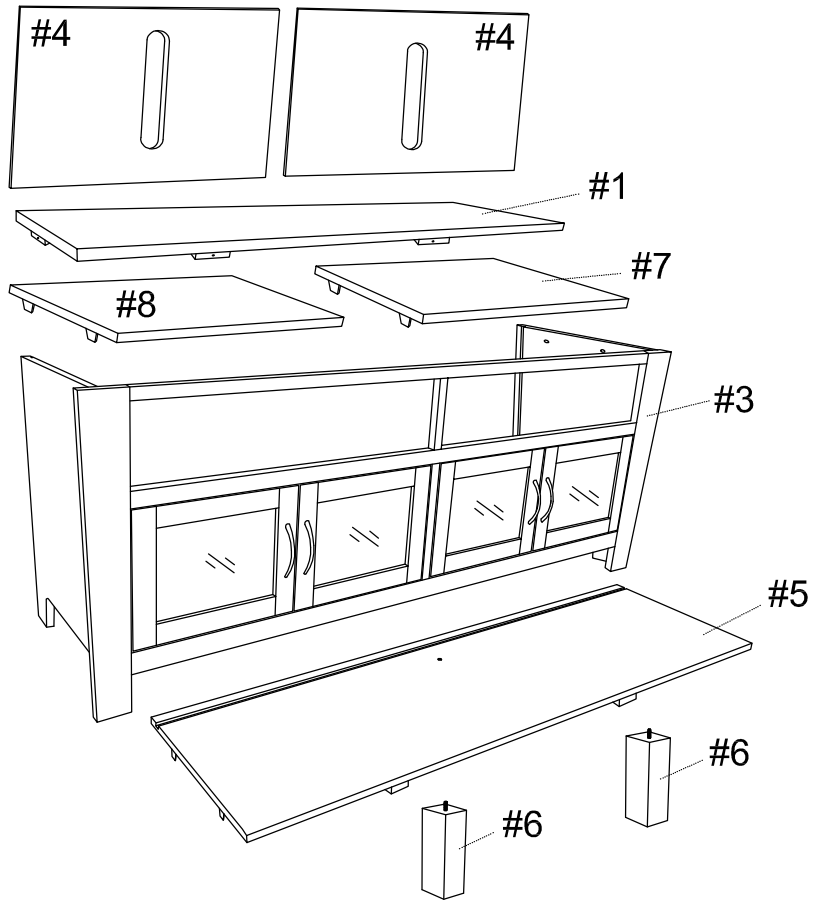


#E x 4pcs
Knob

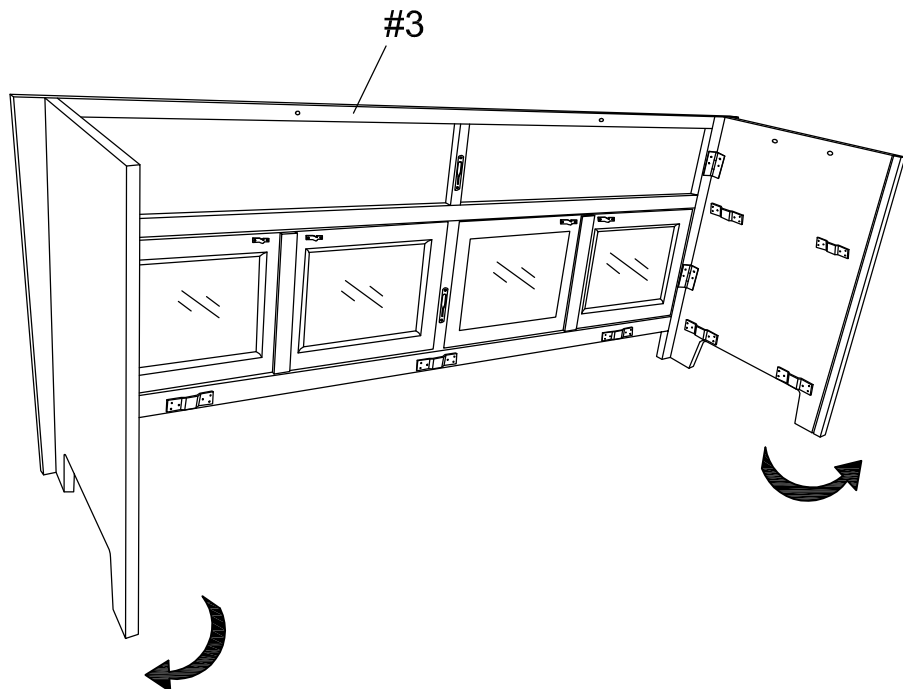


#F x 8pcs
Screw Ø5/32" X 1"

Exploded View

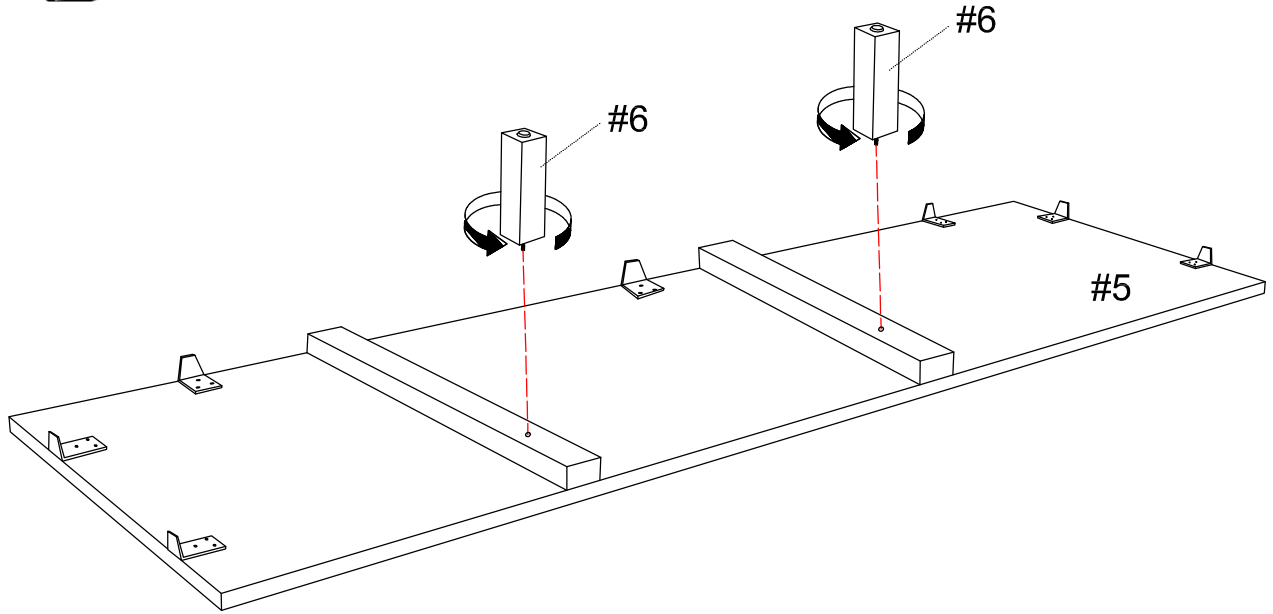


Unfold the front frame (#3).

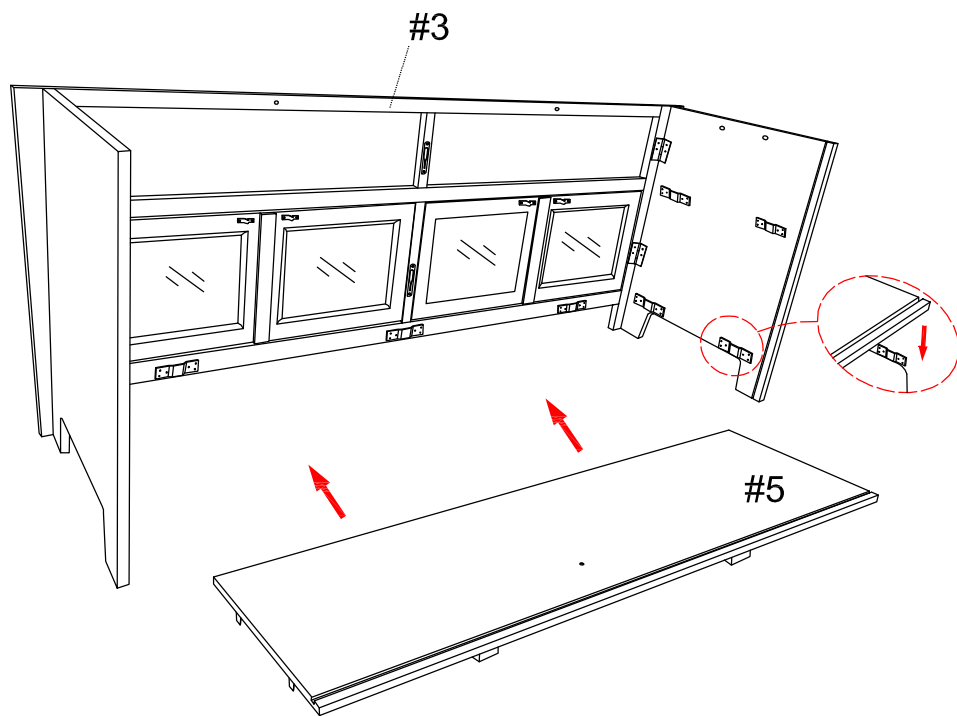




Attach support legs (#6) to the holes of the bottom panel (#5).

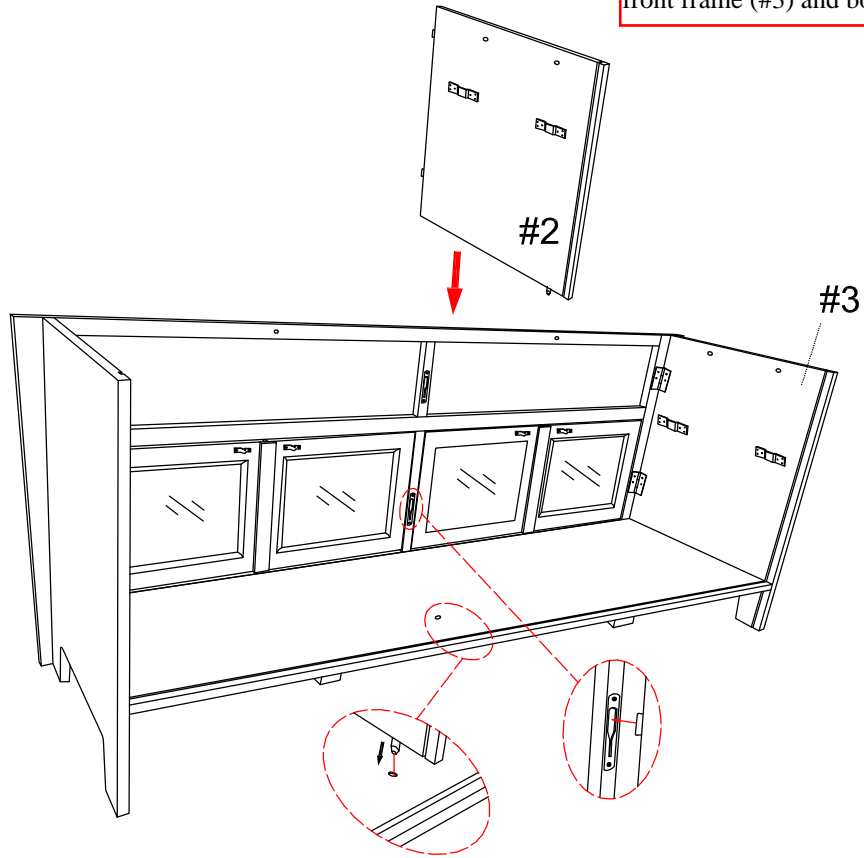


Insert bottom panel (#5) to the brackets of the front frame (#3).
Make sure the bottom panel (#5) is in place.

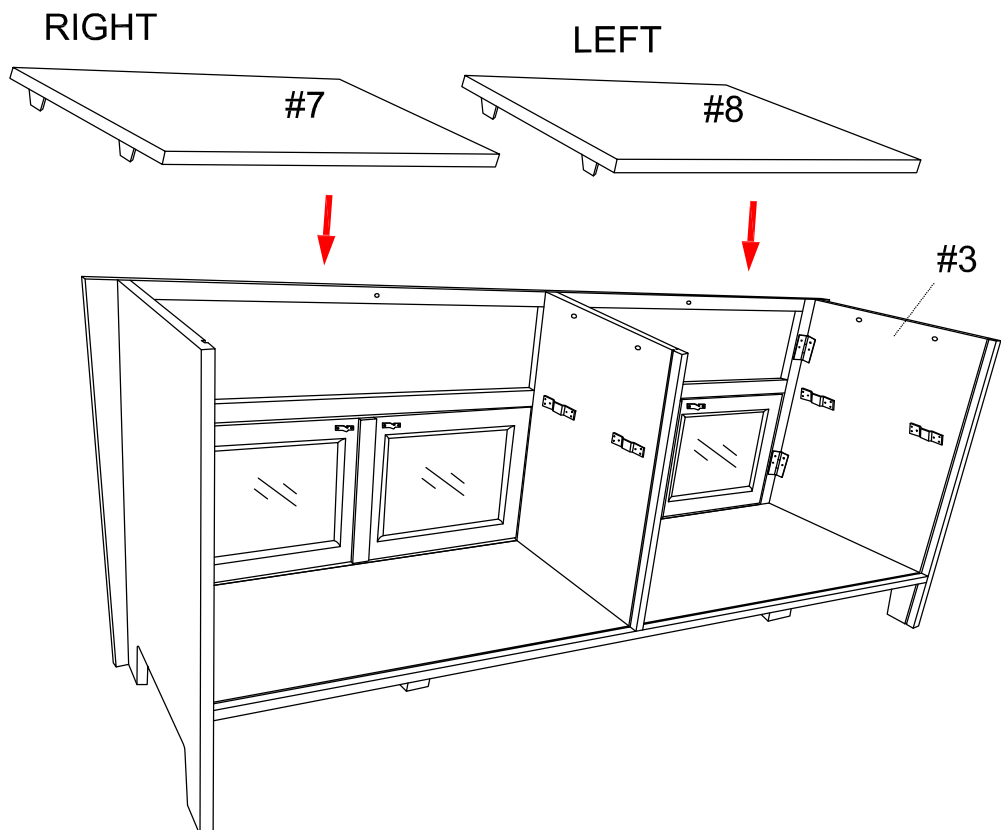




Align and attach medium panel (#2) to the front frame (#3) and bottom panel (#5)

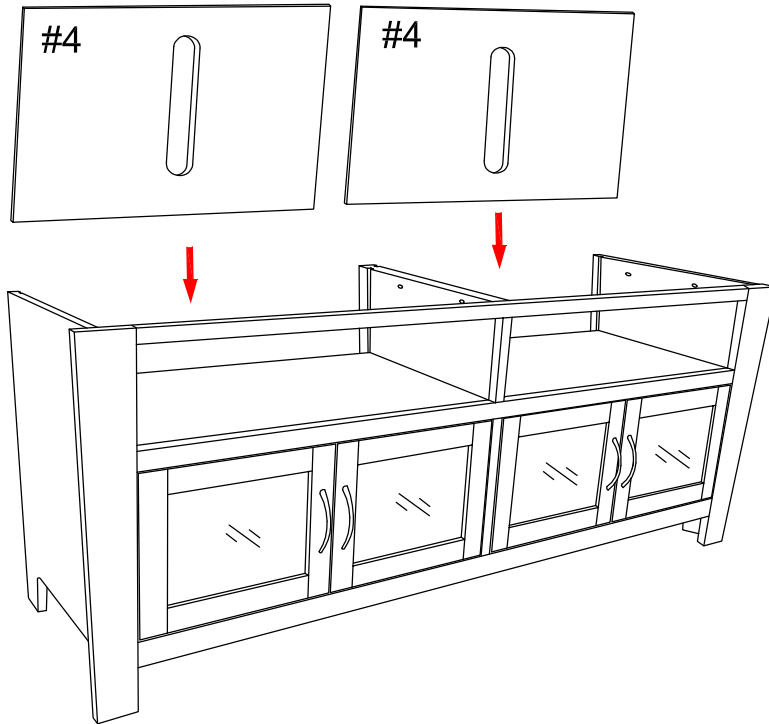


Insert shelves (#7,8) through the brackets of the TV-Stand. Make sure shelves (#7,8) are firmly in place.



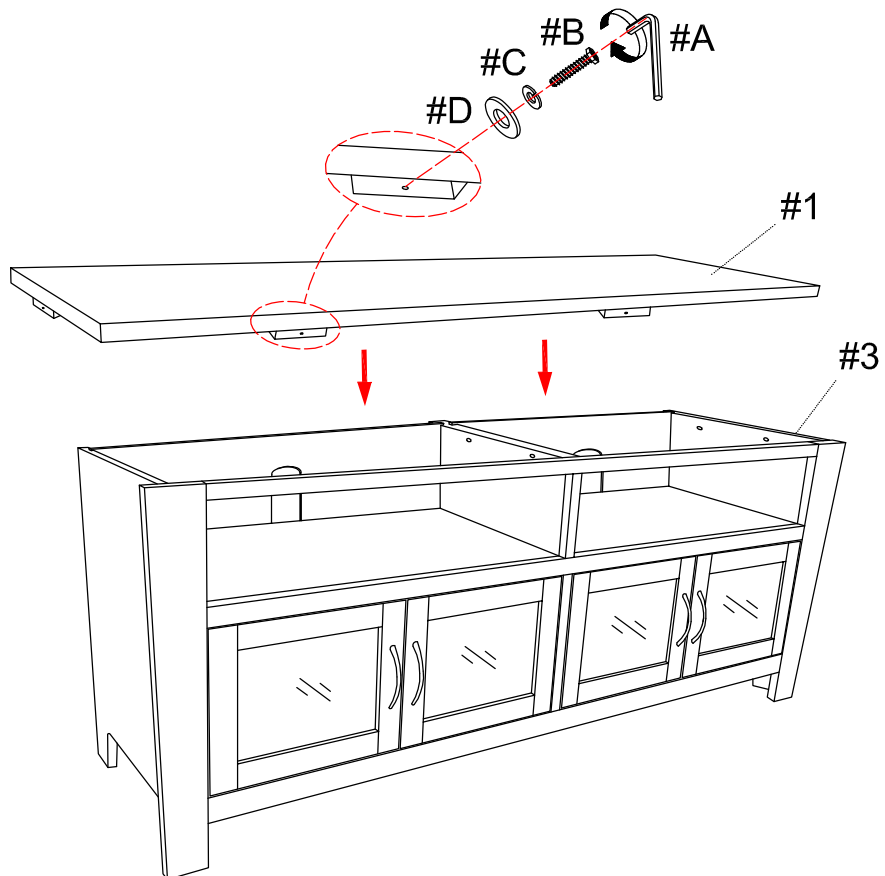


Slide back panels (#4) through the thin lined gaps of the TV-Stand.



Align top panel (#1) to the TV-Stand, then secure by using bolts (#B) with washers (#C,D).

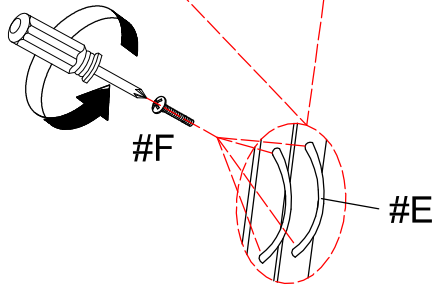
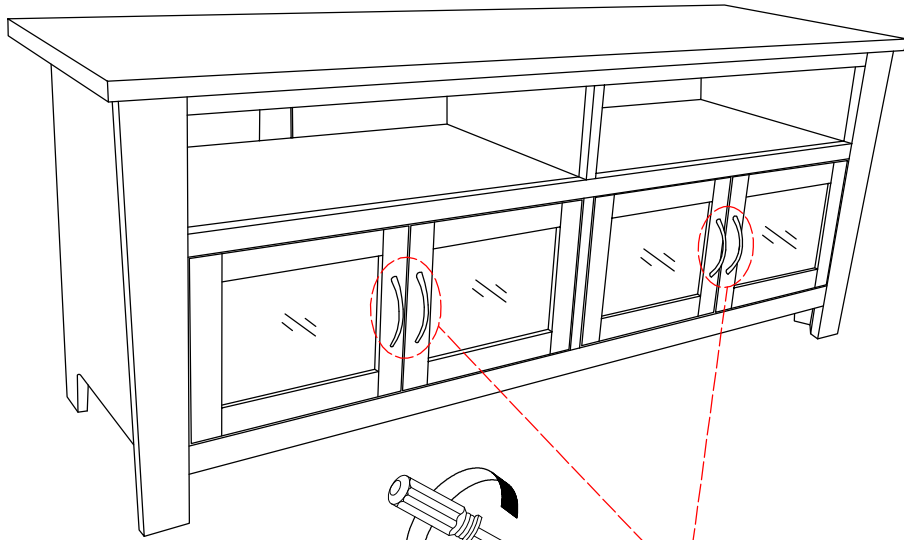
#B x 8pcs
#C x 8pcs
#D x 8pcs





#9

#E x 4pcs
#F x 8pcs



Align handles (#E) to the holes of the doors,
then secure by using bolts (#F).

ASSEMBLY COMPLETED



#10

