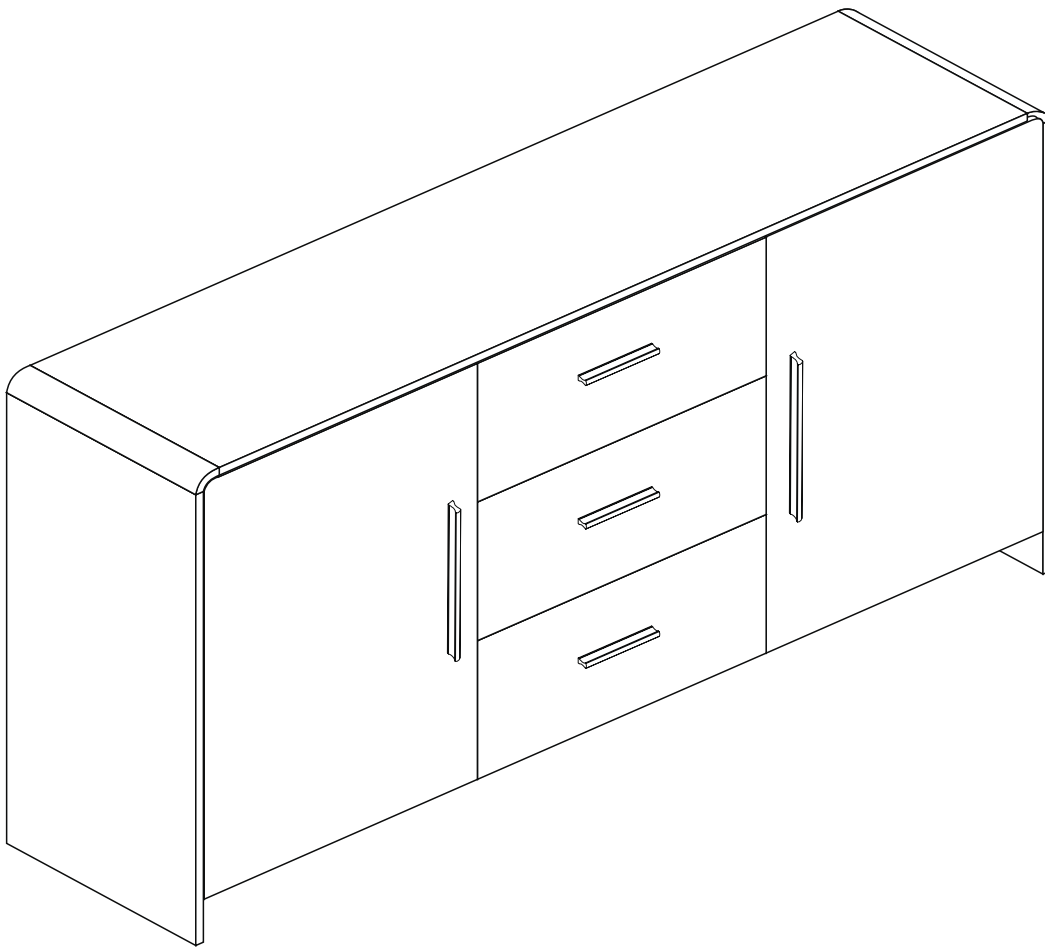


Sideboard Cabinet



ASSEMBLY INSTRUCTIONS



60 min. assembly

2 person

*The estimated assembly time may vary depending on the individual.

Hey, there

Now is assembly time!

Deeeeeeep breathe.... and again....
Tools ready,
Easy peasy!

Estimated



60 min. assembly
2 person

Tools Required

- Phillips screwdriver (not included)
- Power Drill (not included)

important: *Cautious when you use power tools*

Thank you for purchasing this product.

This product has been manufactured with the highest standards of safety and quality.

PLEASE READ ALL INSTRUCTIONS CAREFULLY BEFORE ASSEMBLY.

Un pack all parts from the packaging inside the carton to ensure there are no missing or damaged parts. Lay out all the parts on a clean, flat, and soft surface to prevent scratches. Refer to the steps provided as assembling guide.

Do not attempt to assemble or use the product if any parts are missing or damaged.

REMINDERS

SAFE USAGE IS KEY

Your well-being is our top priority when you use our product. Please prioritize your safety by diligently following the assembly guidelines and inspecting the product carefully both when it arrives and before each use.

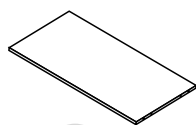
Please be aware that we cannot be held liable for any injuries or fatalities that occur due to not adhering to the provided instructions or misuse of the product.

DO NOT MODIFY

Our products undergo rigorous testing to ensure they meet established safety standards before being released for sale. Altering the product in any way can lead to serious safety concerns, for which we cannot assume responsibility.

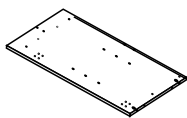
What's in the box

Parts



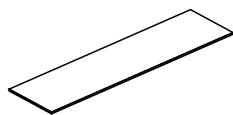
1 X 1

Left side panel



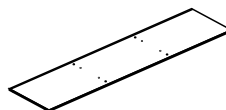
2 X 1

Right side panel



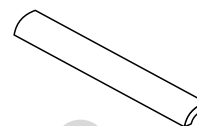
3 X 1

Top panel



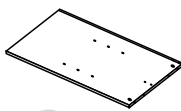
4 X 1

Bottom panel



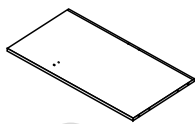
5 X 2

Top support bar



6 X 1

Middle panel



7 X 2

Middle panel



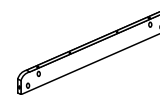
8 X 2

Back support bar



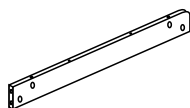
9 X 1

Bottom support bar



10 X 1

Left top support bar



11 X 1

Right top support bar



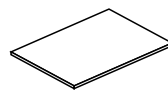
12 X 1

Middle back support bar



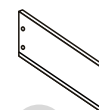
13 X 1

Drawer support bar



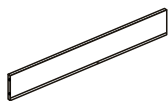
14 X 2

Shelf panel



15 X 3

Drawer side panel



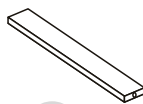
16 X 3

Drawer back panel



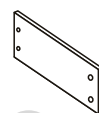
17 X 3

Drawer bottom panel



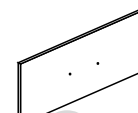
18 X 3

Drawer bottom support bar



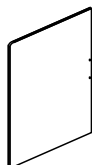
19 X 3

Drawer side panel



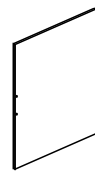
20 X 3

Drawer front panel



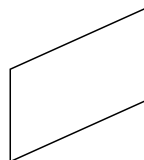
21 X 1

Left door panel



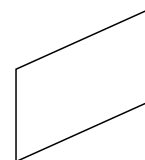
22 X 1

Right door panel



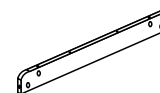
23 X 4

Back panel



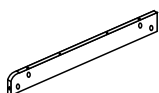
24 X 2

Middle back panel



25 X 1

Left top support bar



26 X 1

Left top support bar

What's in the box

Hardware & Accessory



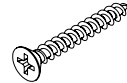
A X 63+3
M6 x 36mm



B X 63+3
M15 x 9mm



C X 32+3
M5.8 x 30mm



D X 21+3
M4 x 35mm



E X 4



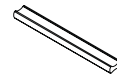
F X 24+3
M4 x 14mm



G X 24+3
M3 x 16mm



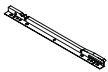
H X 36+3
M3.5 x 12mm



I X 3



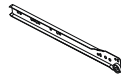
DL X 3



DR X 3



CL X 3



CR X 3



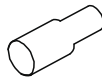
J X 6



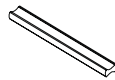
K X 2
M4 x 14mm



L X 2



M X 8



N X 2



O X 10+2
M4 x 16mm

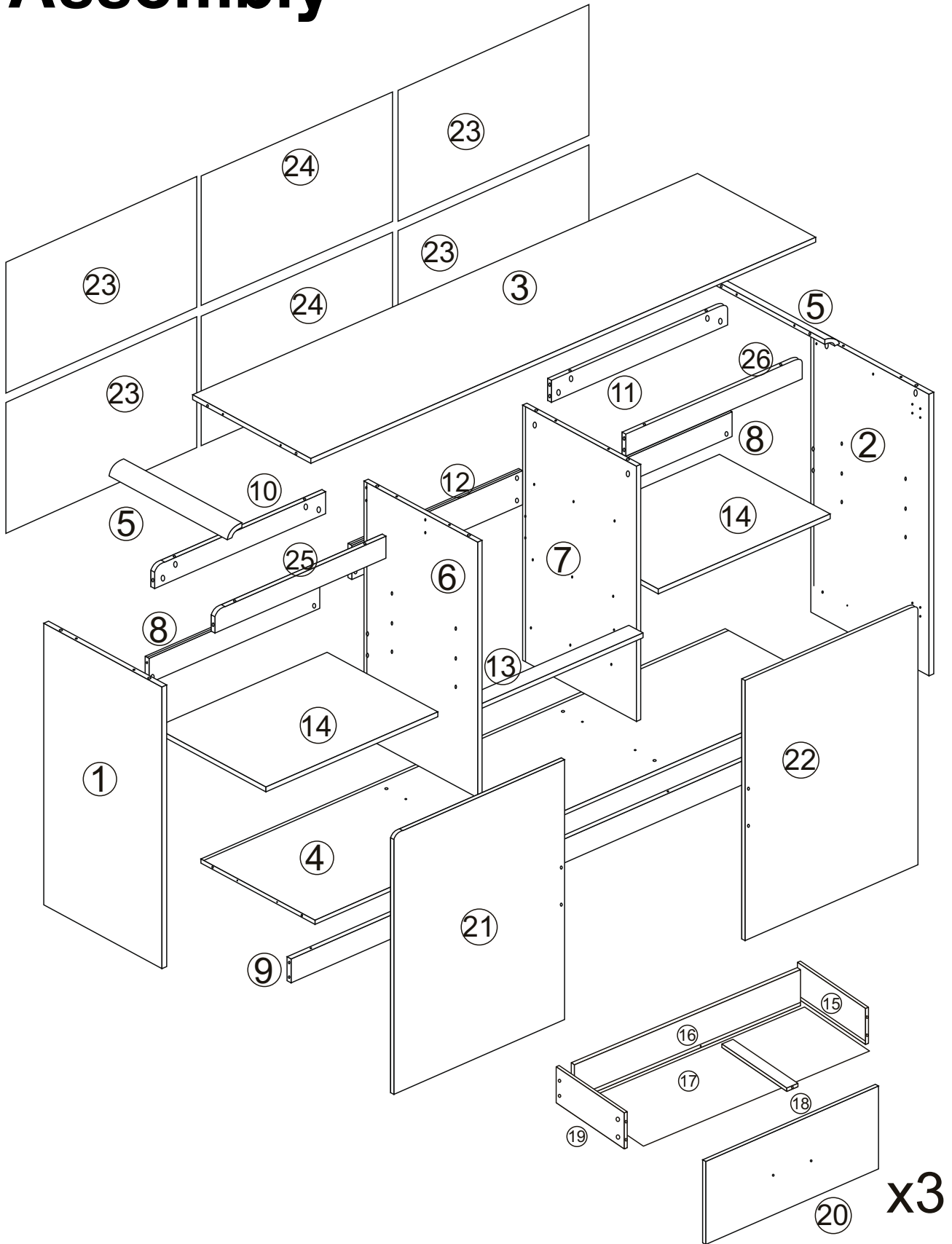


P X 2



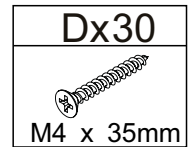
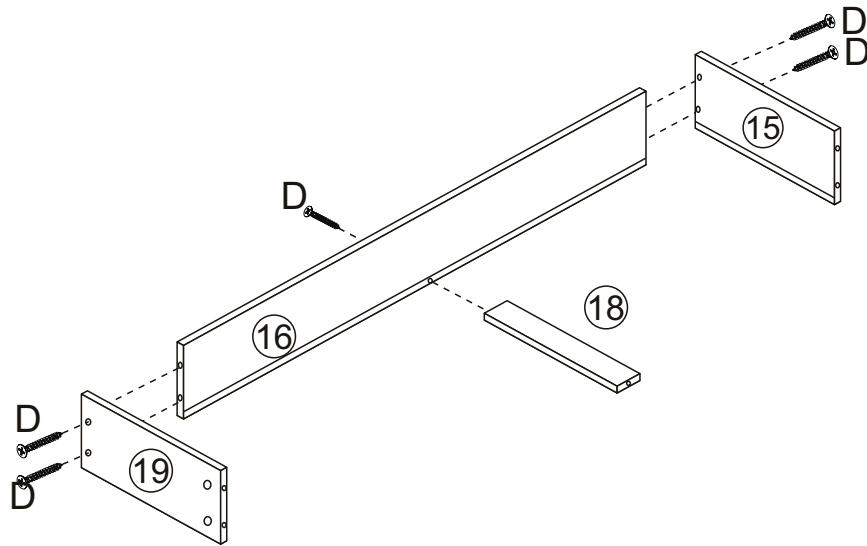
Q X 2

Assembly



Step 1

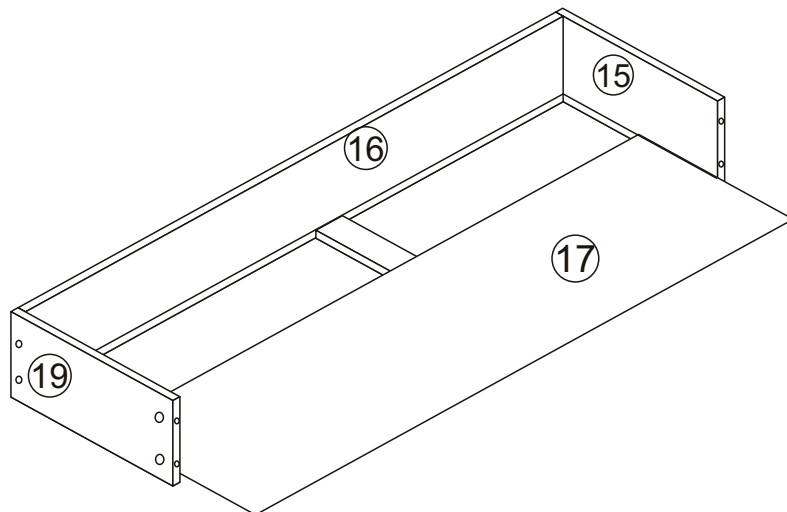
Fix parts 15, 18 and 19 to parts 16 using screws (D), as shown.



X3

Step 2

Slide parts 17 into grooves between parts 15, 19 and 16, as shown.



X3

Step 3

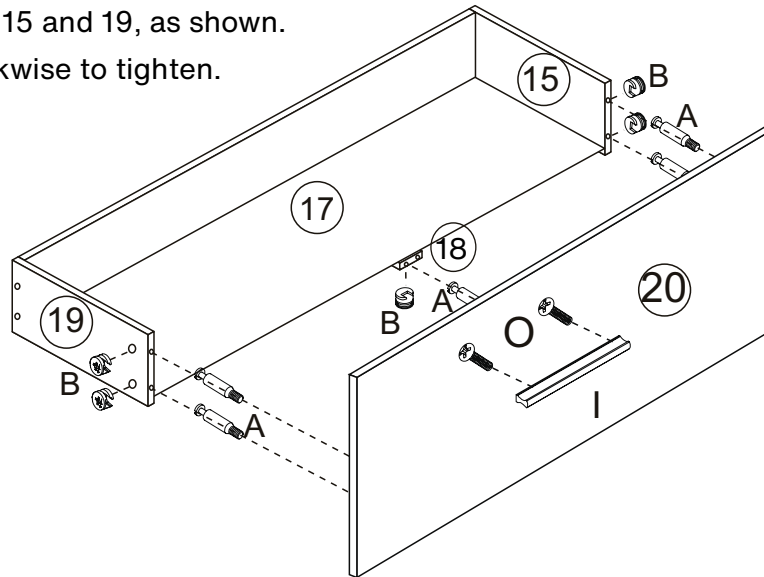
Fix handles (I) to parts 20 using screws (O), as shown.





Insert quickfit screws (A) into parts 20, as shown.

Insert cam locks(B) into parts 15, 19 and 18, as shown.

Fit parts 20 to parts 15 and 19, as shown.

Turn cam locks clockwise to tighten.

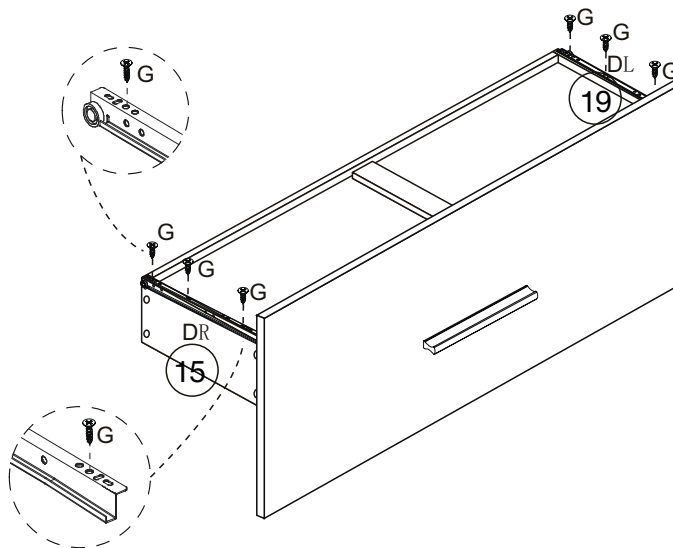


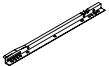
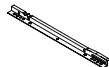

Ax15

M6 x 36mm
Bx15

M15 x 9mm
Ox6

M4 x 16mm
I x3


X3

Step 4

Fix left inner drawer runners (DL) and right inner drawer runners (DR) to parts 19 and 15 using screws (G), as shown.

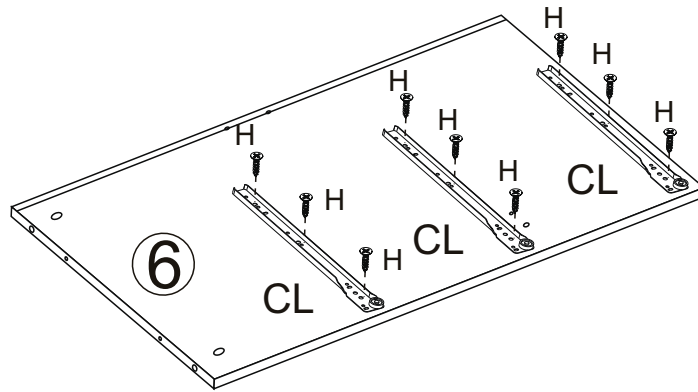


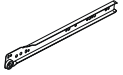

DLx3

DRx3

Gx18

M3.5 x 12mm

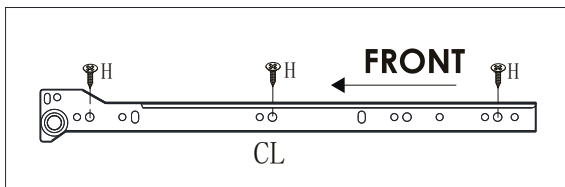
X3

Step 5

Fix right outer drawer runners (CR) to part 6 using screws (H), as shown.

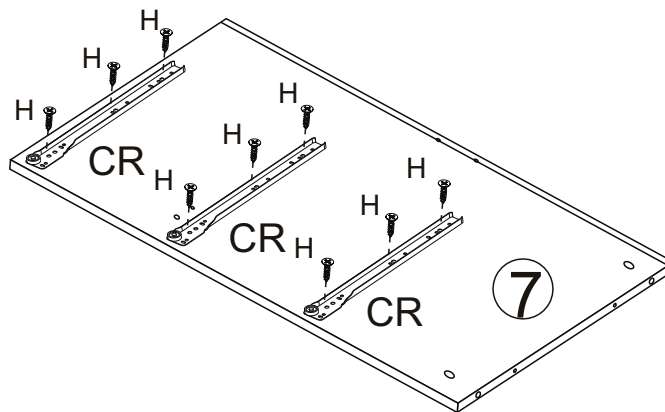


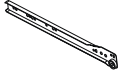

CL x3

Hx9

M3.5 x 12mm

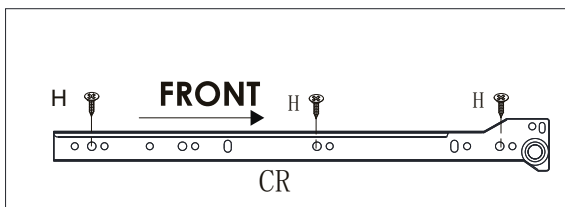


Step 6

Fix left outer drawer runners (CL) to part 7 using screws (H), as shown.



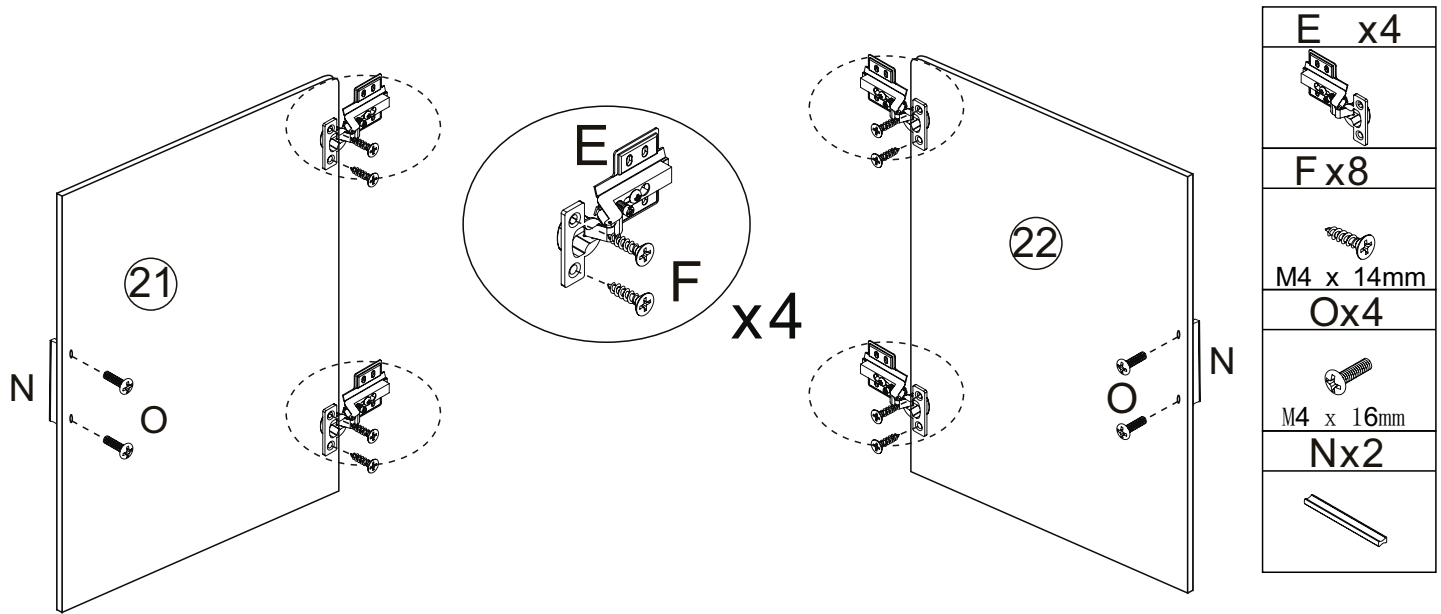
CRx3

Hx9

M3.5 x 12mm



Step 7

Fix handles (N) to doors 21 and 22 using screws (O), as shown.

Fix hinges (E) to doors 21 and 22 using screws (F), as shown.



Step 8

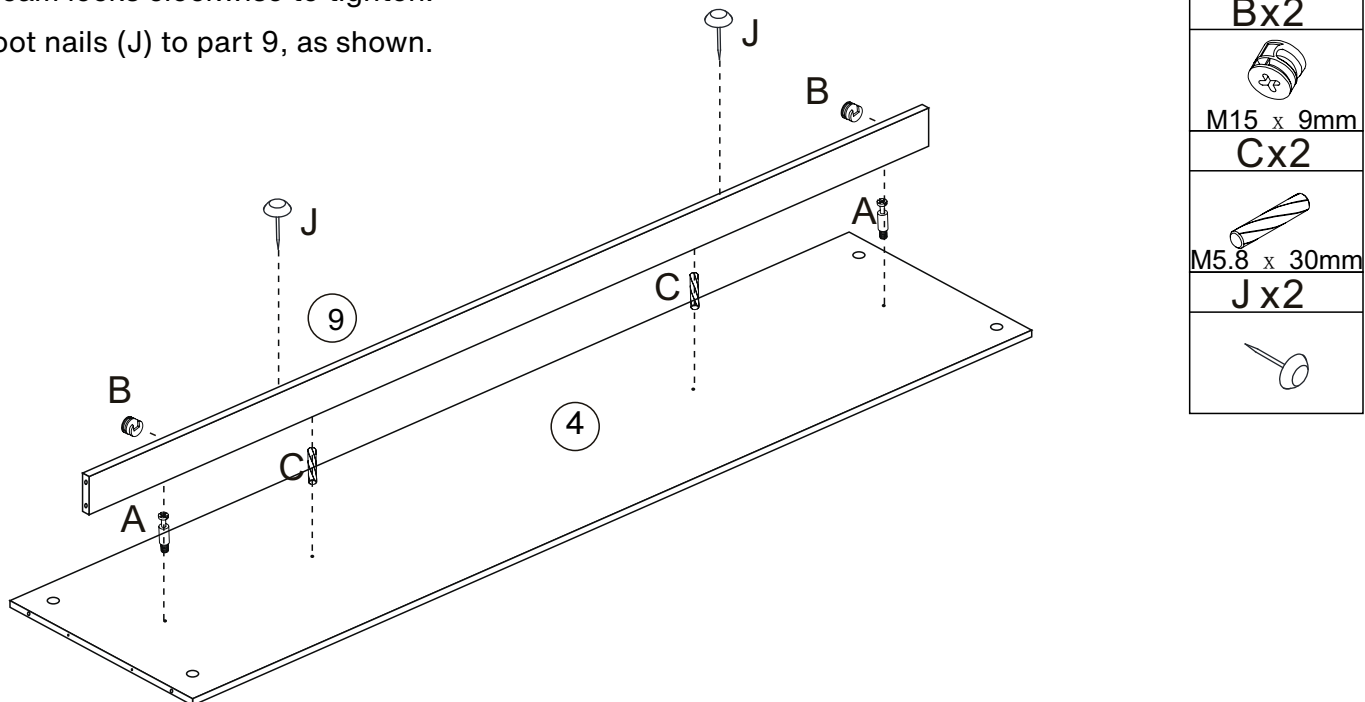
Insert quickfit screws (A) and wooden dowels (C) into part 4, as shown.

Insert cam locks (B) into part 9, as shown.

Fit part 9 to part 4, as shown.

Turn cam locks clockwise to tighten.

Fix foot nails (J) to part 9, as shown.



Step 9

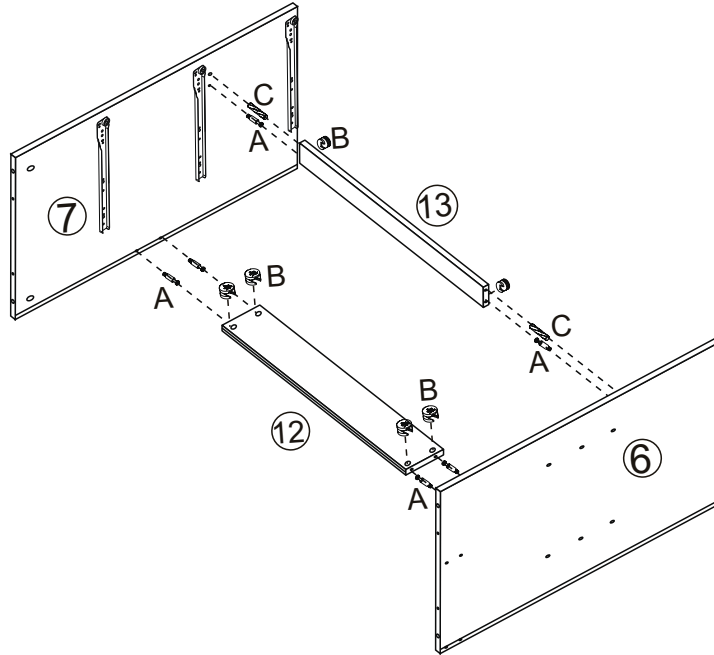
Insert quickfit screws (A) into parts 6 and 7, as shown.

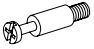

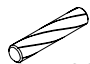
Insert cam locks (B) into parts 12 and 13, as shown.

Insert wooden dowels (C) into part 13, as shown.

Fit parts 13 and 12 to parts 6 and 7, as shown.

Turn cam locks clockwise to tighten.

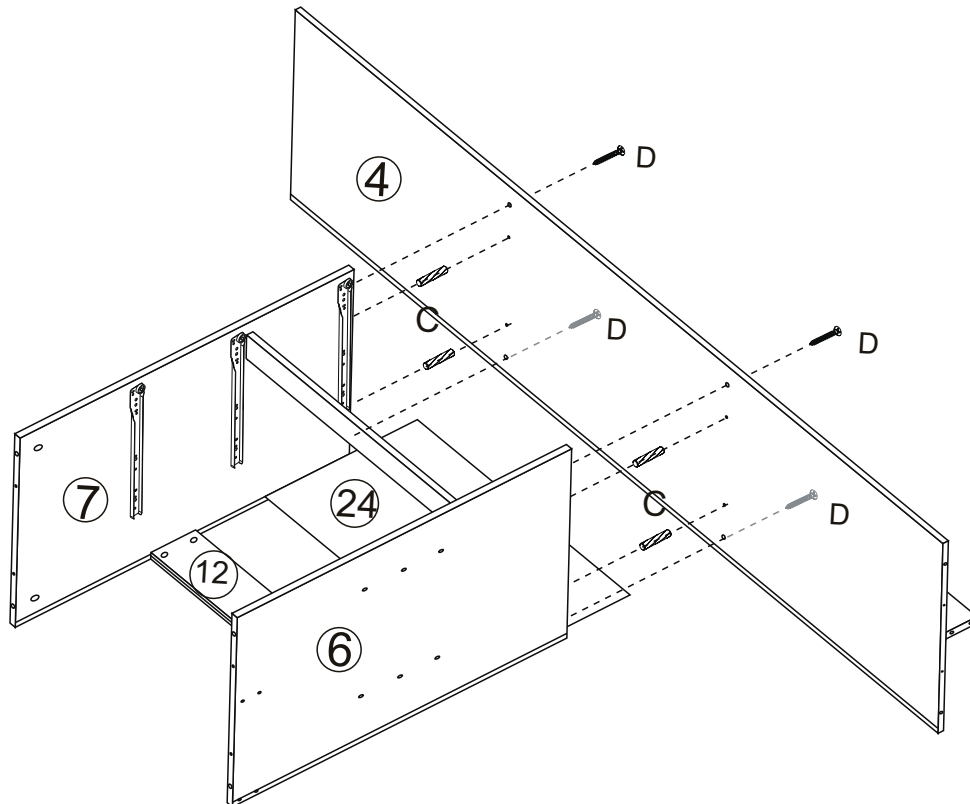




Ax6
 M6 x 36mm
Bx6
 M15 x 9mm
Cx2
 M5.8 x 30mm

Step 10

Slide part 24 into grooves between parts 6, 7 and 12, as shown.

Fix part 4 to parts 6 and 7 using wooden dowels (C) and screws (D), as shown.

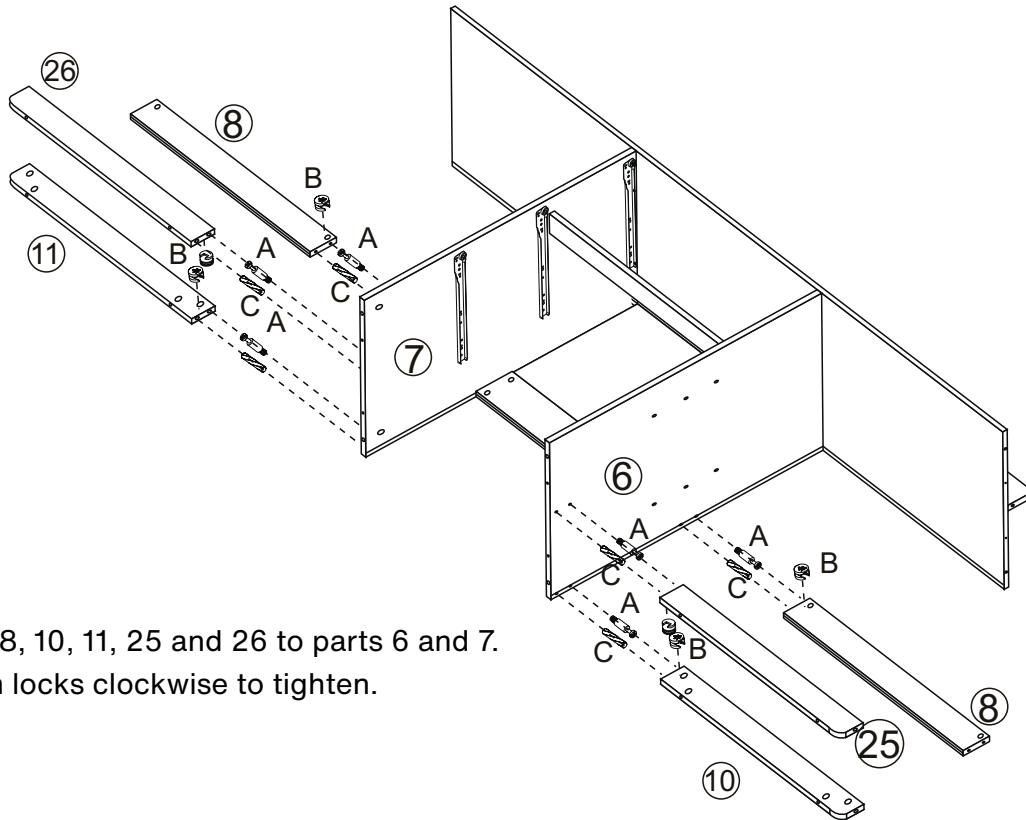





Cx4
 M5.8 x 30mm
Dx4
 M4 x 35mm

Step 11

Insert quickfit screws (A) into parts 6 and 7, as shown.

Insert cam locks (B) and wooden dowels (C) into parts 8, 10, 11, 25 and 26, as shown.

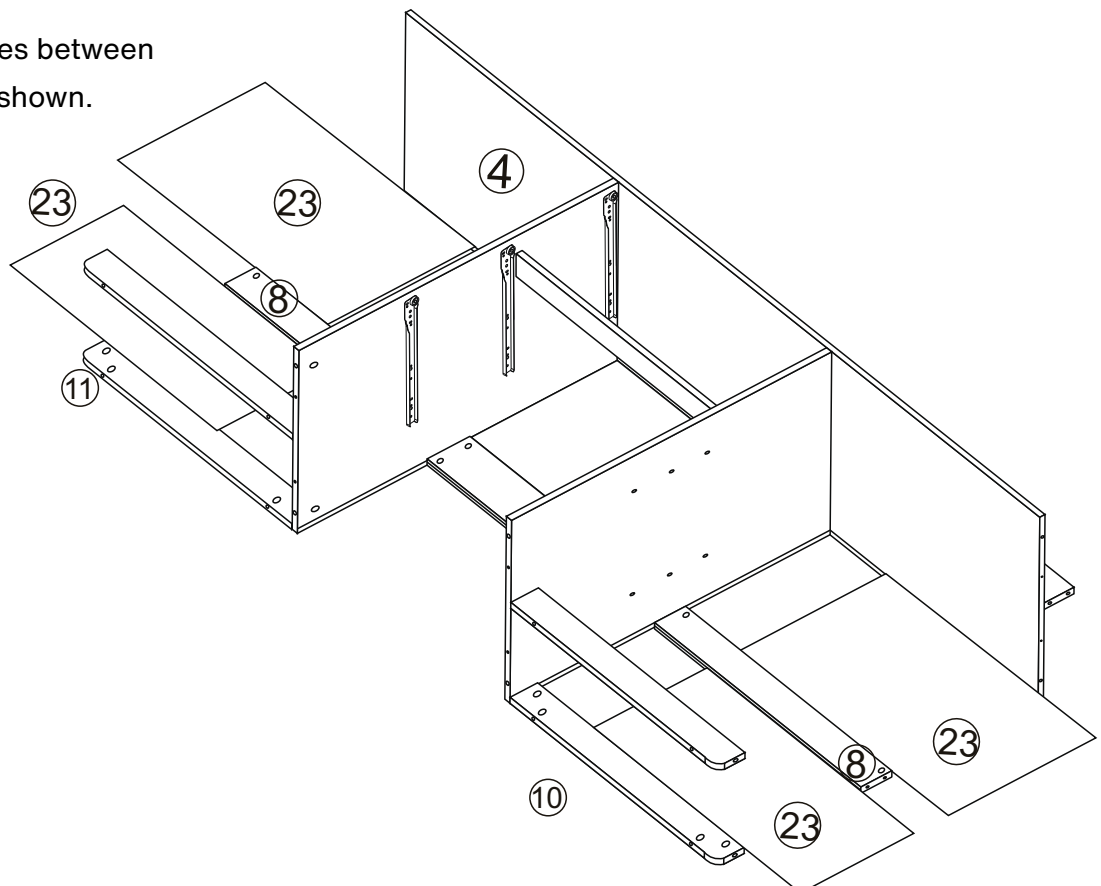


Ax6
 M6 x 36mm
Bx6
 M15 x 9mm
Cx6
 M5.8 x 30mm

Fit parts 8, 10, 11, 25 and 26 to parts 6 and 7.
Turn cam locks clockwise to tighten.

Step 12

Slide parts 23 into grooves between parts 10, 11, 8 and 4, as shown.



Step 13





Insert quickfit screws (A) and wooden dowels (C) into parts 1 and 2, as shown.

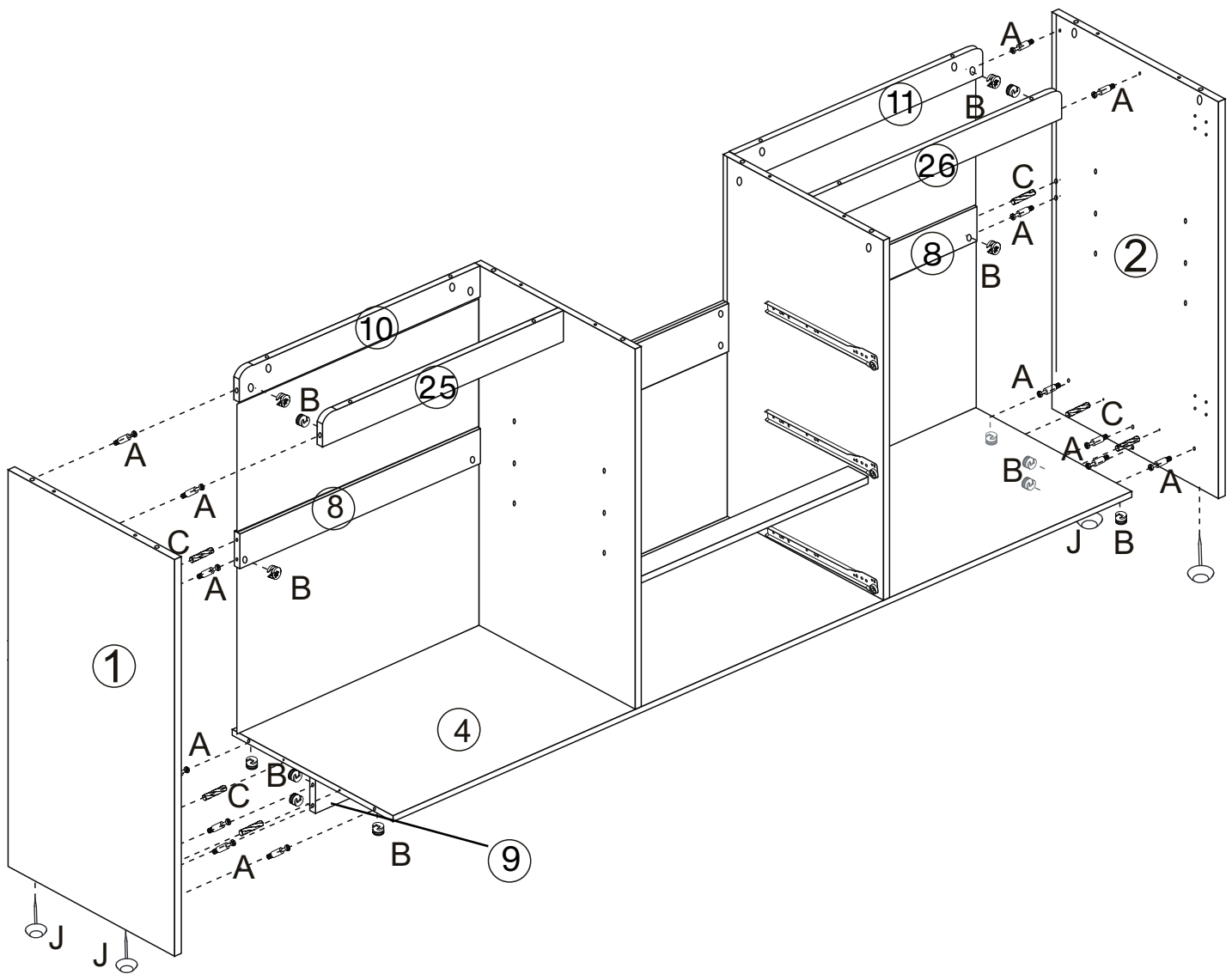
Insert cam locks (B) into part 4, 8, 9, 10, 11, 25 and 26, as shown.

Fit parts 1 and 2 to parts 4, 8, 9, 10, 11, 25 and 26, as shown.

Turn cam locks clockwise to tighten.

Fix foot nails (J) to parts 1 and 2, as shown.

Ax14
 M6 x 36mm
Bx14
 M15 x 9mm
Cx6
 M5.8 x 30mm
Jx4







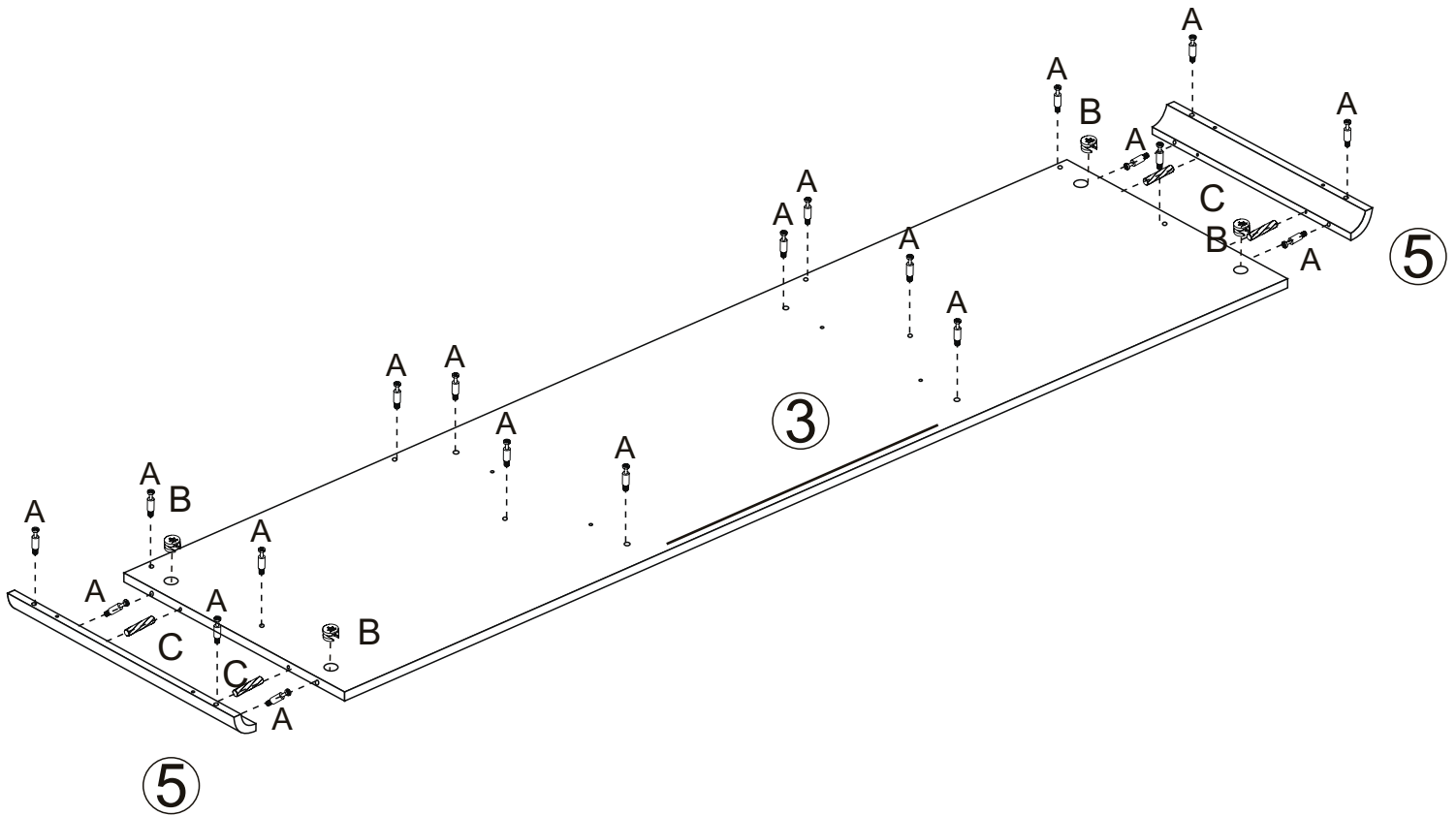
Step 14

Insert quickfit screws (A) into parts 3 and 5, as shown.

Insert cam locks (B) and wooden dowels (C) into part 3, as shown.

Fit parts 5 to part 3, as shown. Turn cam locks clockwise to tighten.

Ax20
 M6 x 36mm
Bx4
 M15 x 9mm
Cx4
 M5.8 x 30mm





Step 15

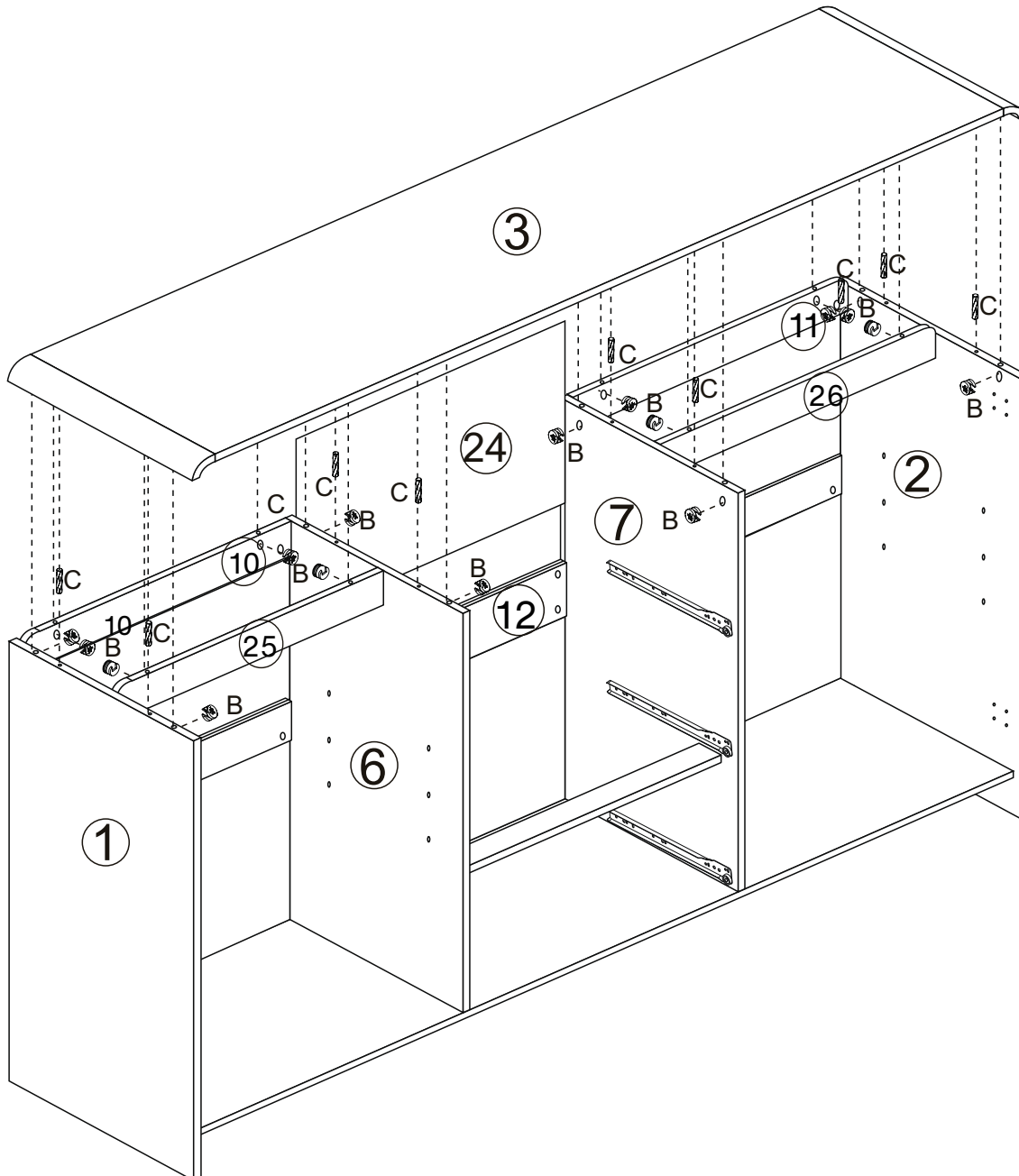
Slide part 24 into grooves between parts 6, 7 and 12, as shown.

Insert cam locks (B) and wooden dowels (C) into parts 1, 2, 6, 7, 10, 11, 25 and 26, as shown.

Fit part 3 to parts 1, 2, 6, 7, 10, 11, 25 and 26, as shown.

Turn cam lock clockwise to tighten.

Bx16

M15 x 9mm
Cx16

M5.8 x 30mm



Step 16





Fix wall straps (P) to part 3 using washers (Q) and screws (K), as shown.

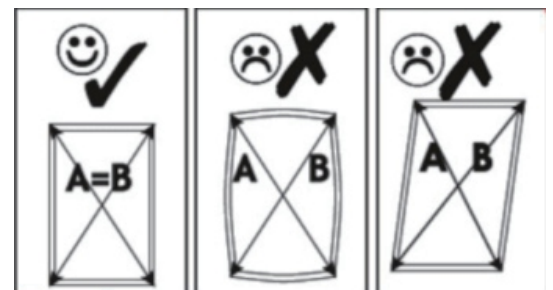
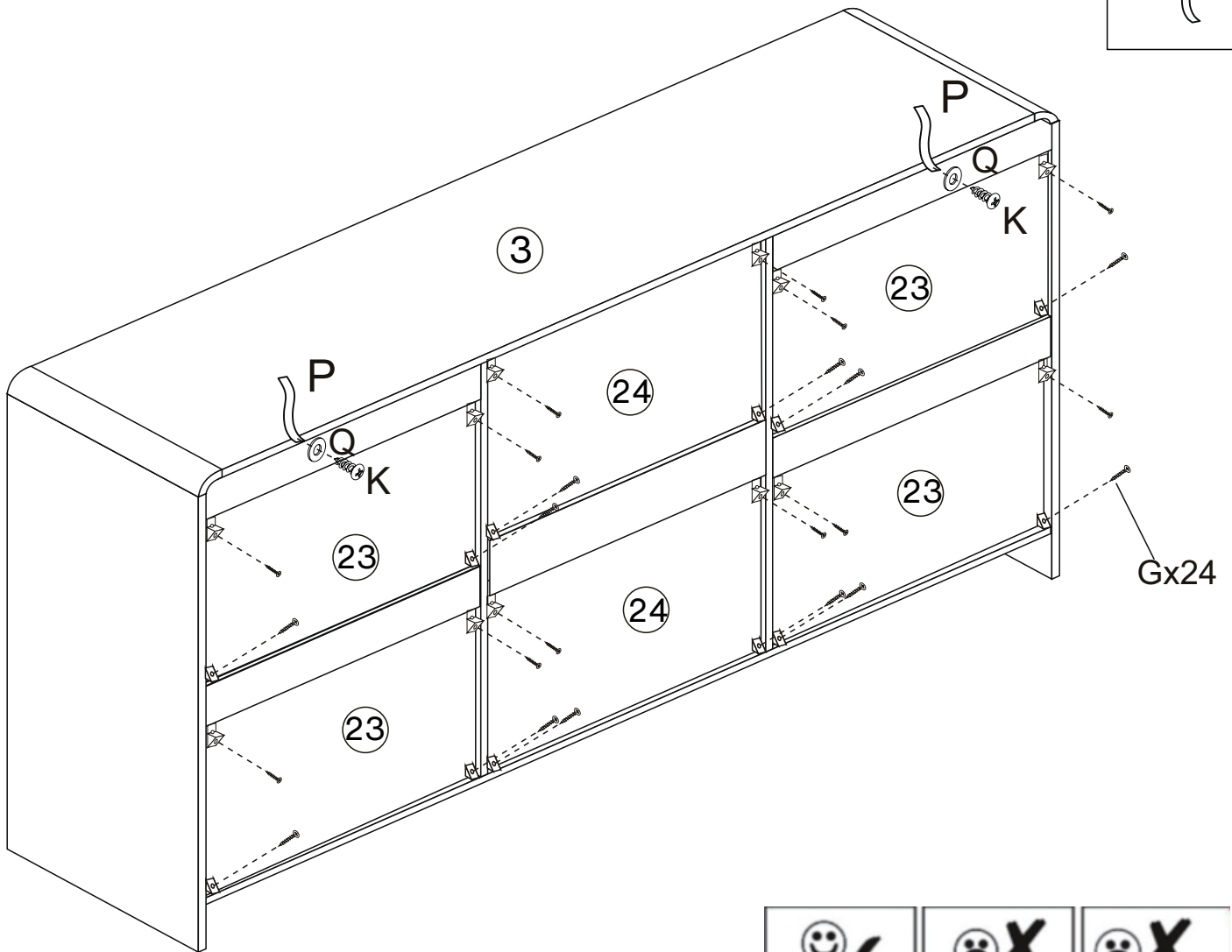
Secure backing panels 23 and 24 by fixing wedges (G-1) using screws (G-2), as shown.

ATTENTION PLEASE

Please ensure the structure is straight and level and all panels are at right angles before installing hardware (G).

MUST install hardware (G) to strengthen product stability..

Gx24
 M3 x 16mm
Kx2
 M4 x 14mm
Qx2

Px2


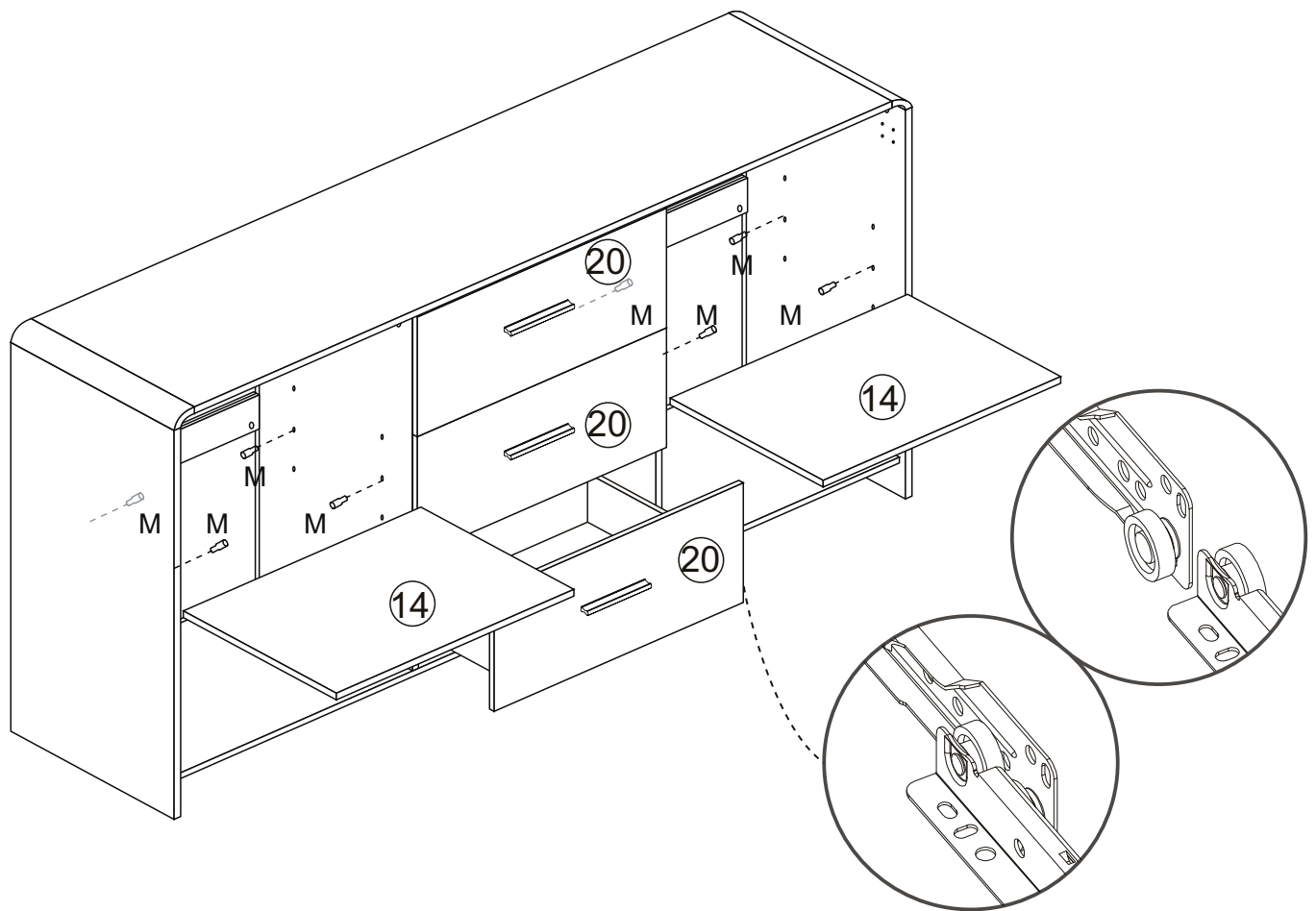
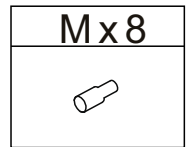


Step 17

Insert drawers into the assembled unit, as shown.

Fit shelf supports (M) into desired position in the assembled unit.

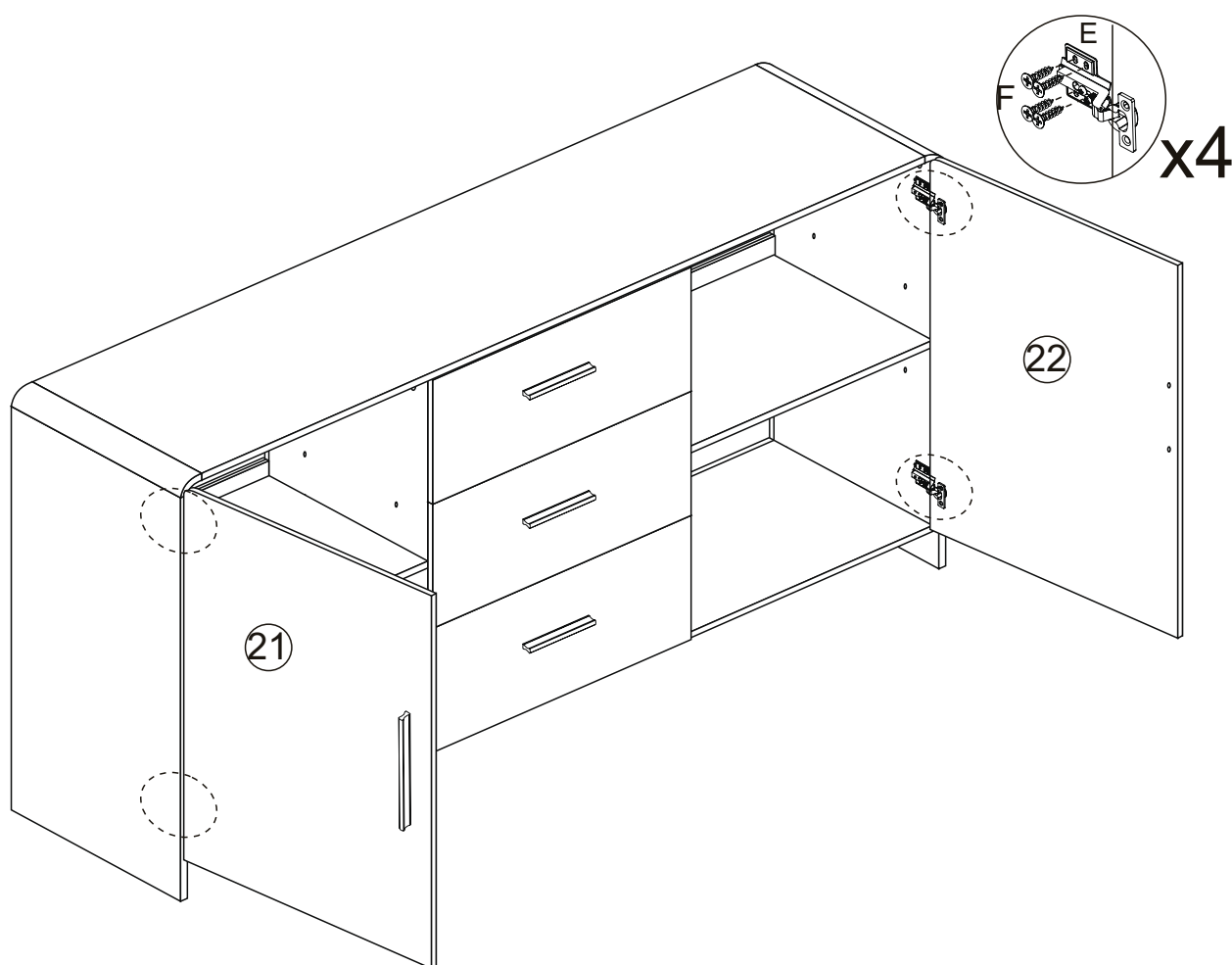
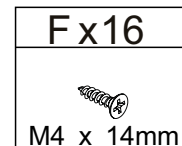
Place shelves 14 on top of shelf supports, as shown.



Please noted the wheels on the drawe runners should be fit into place.

Step 18




Fix doors 21 and 22 to assembled unit with hinges and using screws (F), as shown.

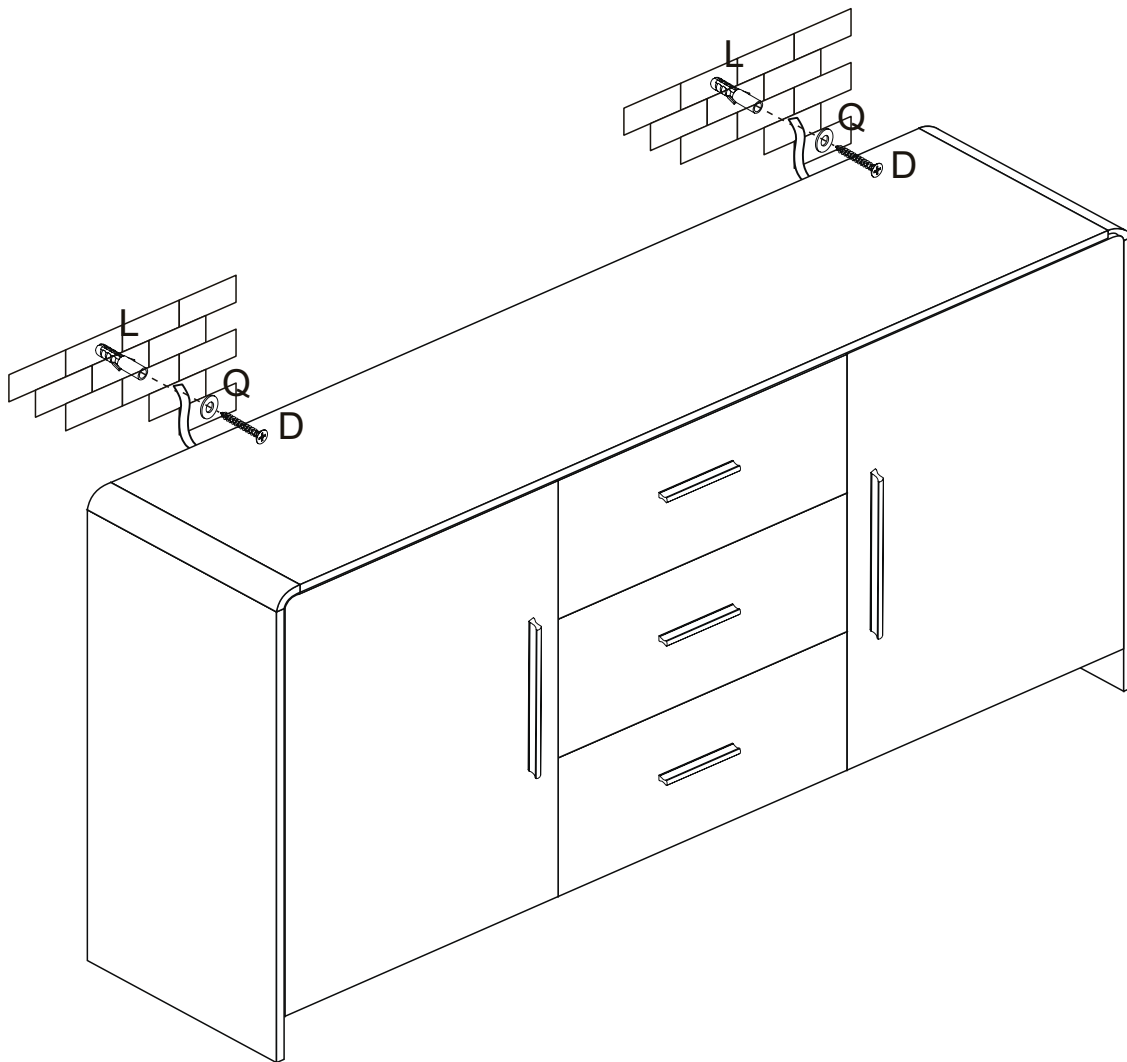


Step 19

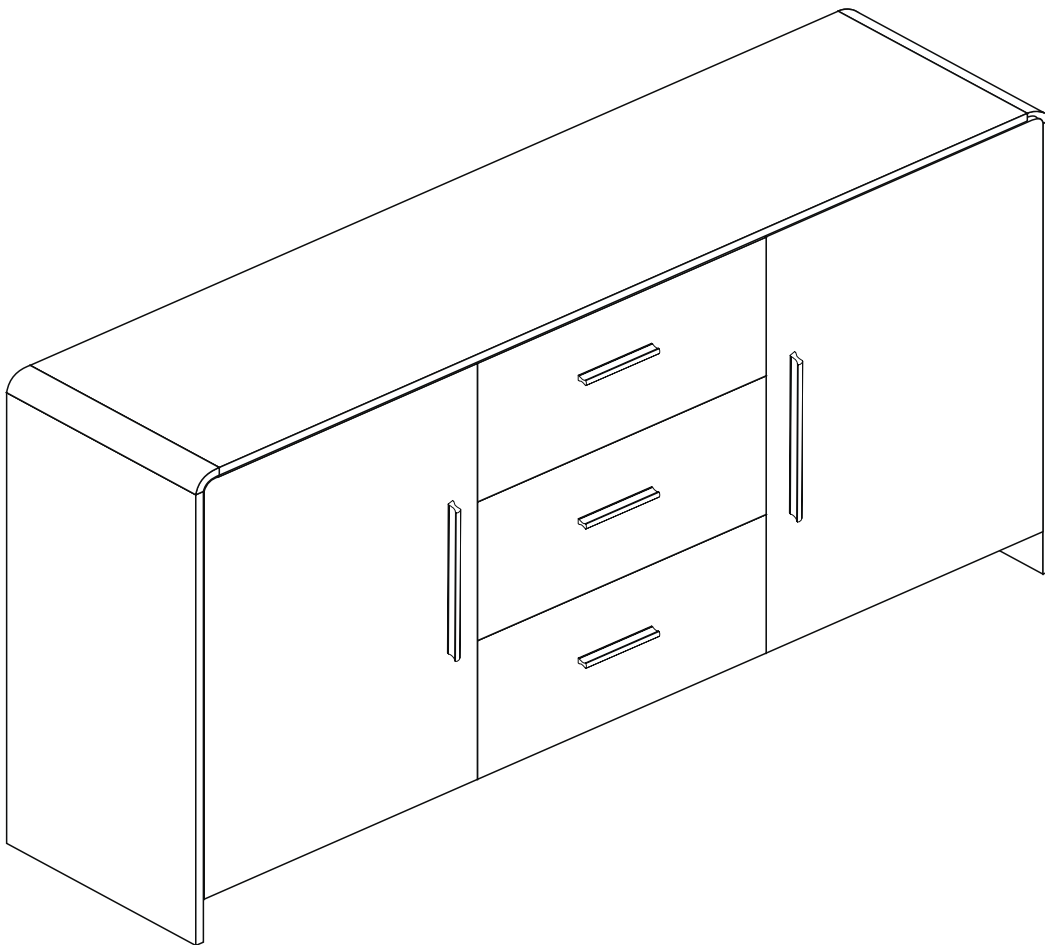
For extra stability, it is recommended that you fix your Sideboard Cabinet to the wall using hardware (D, Q and L), as shown.

Screws (D) are fixed through washers (Q) and wall straps and into the wall plugs (L). Should you choose not to affix the product to the wall, serious injury may be caused if the product tips over.

Dx2
 M4 x 35mm
Qx2

Lx2




VOILA!
Now enjoy.



Warning

DO NOT sit or stand on the Sideboard cabinet as this may damage the product and cause serious bodily injury.