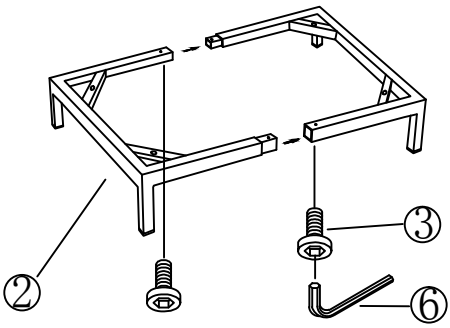
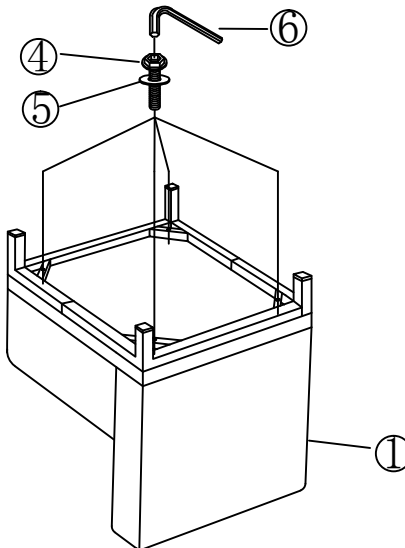
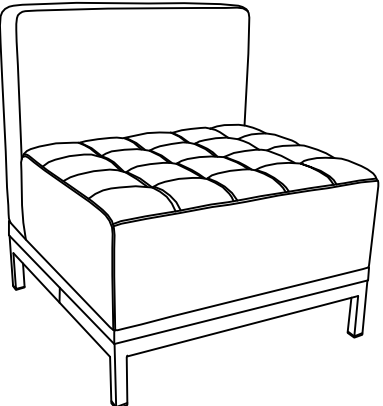
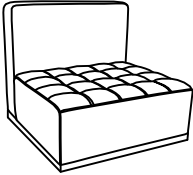


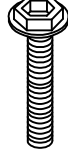




ASSEMBLY INSTRUCTION

<p>1</p> 	<p>2</p> 	<p>3</p> 			
<p>① CUSHION</p>	<p>② CANTI BASE</p>	<p>③ SCREW</p>	<p>④ SCREW</p>	<p>⑤ WASHER</p>	<p>⑥ ALLEN KEY</p>
		<p>M6*20</p>	<p>M6*50</p>	<p>φ20×φ8.5×2</p>	<p>M5</p>
					
<p>1 PC</p>	<p>1 PAIR</p>	<p>2 PCS</p>	<p>4 PCS</p>	<p>4 PCS</p>	<p>1 PC</p>

IMPORTANT NOTE - PLEASE ASSES ALL COMPONENTS PRIOR TO DISPOSAL OF PACKAGING AND ASSEMBLY OF CHAIR