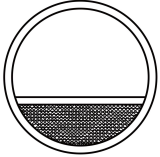






# Wall Mirror Instructions

ACCESSORIES LIST					
CODE	PIC	QTY	CODE	PIC	QTY
A (Mirror)		1pcs	B (Plastic anchors)		3pcs
C (Plastic anchors for gypsum walls )		3pcs	D (Tapping Screws)		3pcs
E (Foam blocks)		3pcs			

Please prepare all the shown tools before installation.



**Please follow the assembly instructions strictly.**

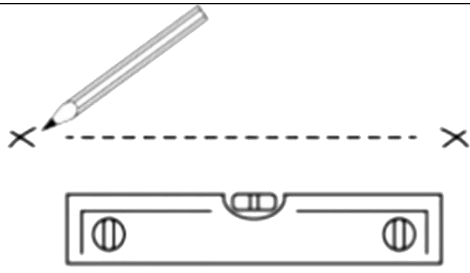
Installation Requirements:

1. Do not directly place the sharp glass corner of the mirror to the floor, recommend to put some cardboard or cushions on the floor to avoid damage and scratches.
2. The product should be installed on the wall or ceiling that can bear heavy weight, such as masonry building, solid wood beam or concrete ceiling. Avoid installing on the wooden walls to prevent the risk of falling over time.
3. Fixed devices weighing 50lbs(22.7 kg) or more require additional reinforcement above the wall.
4. For safety, two-person installation is recommended.

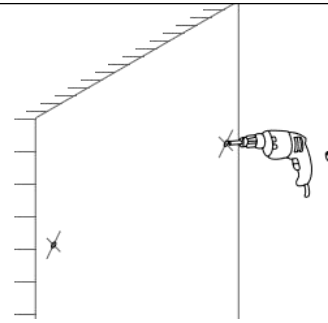
Acceptable	Concrete walls, Wood stud walls, Brick walls
Not Recommended	Hollow walls (e.g., non-structural drywall, plasterboard)

Improper assembly or installation may result in personal or property damage.

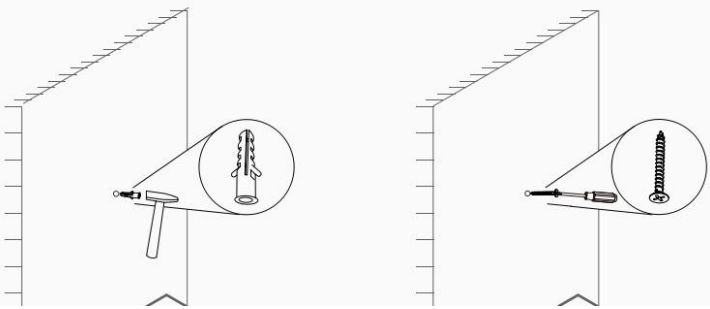
**Step 1**  
Measure distance between clock hooks and mark on wall



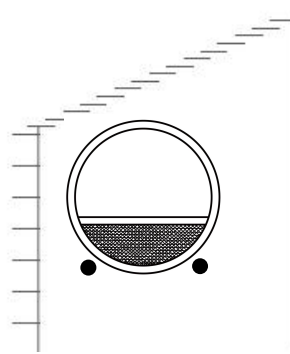
**Step 2**  
Drill holes and insert anchors at marked points



**Step 3**  
Screw into anchors ( B or C ) and screws (D), leaving 3-5mm exposed.



**Step 4**  
Align hooks with screws and hang the Mirror ( A ) securely. Foam blocks (E) to put behind to keep it parallel to the wall. 2 people installation is recommended



Dear customers, please refer to these cleaning tips mentioned if you received the products in the above situation. If you have any further questions, welcome to contact our customer service for help. We wish you a happy life.

#### Cleaning Tips:

1. If there are stains on the mirror surface, you can use toothpaste or window cleaner first, then wipe it clean with a microfiber cloth.
2. Wipe off with 30% cleaning diluent.
3. If there are adhesive residue on the surface, carefully remove it using a knife.