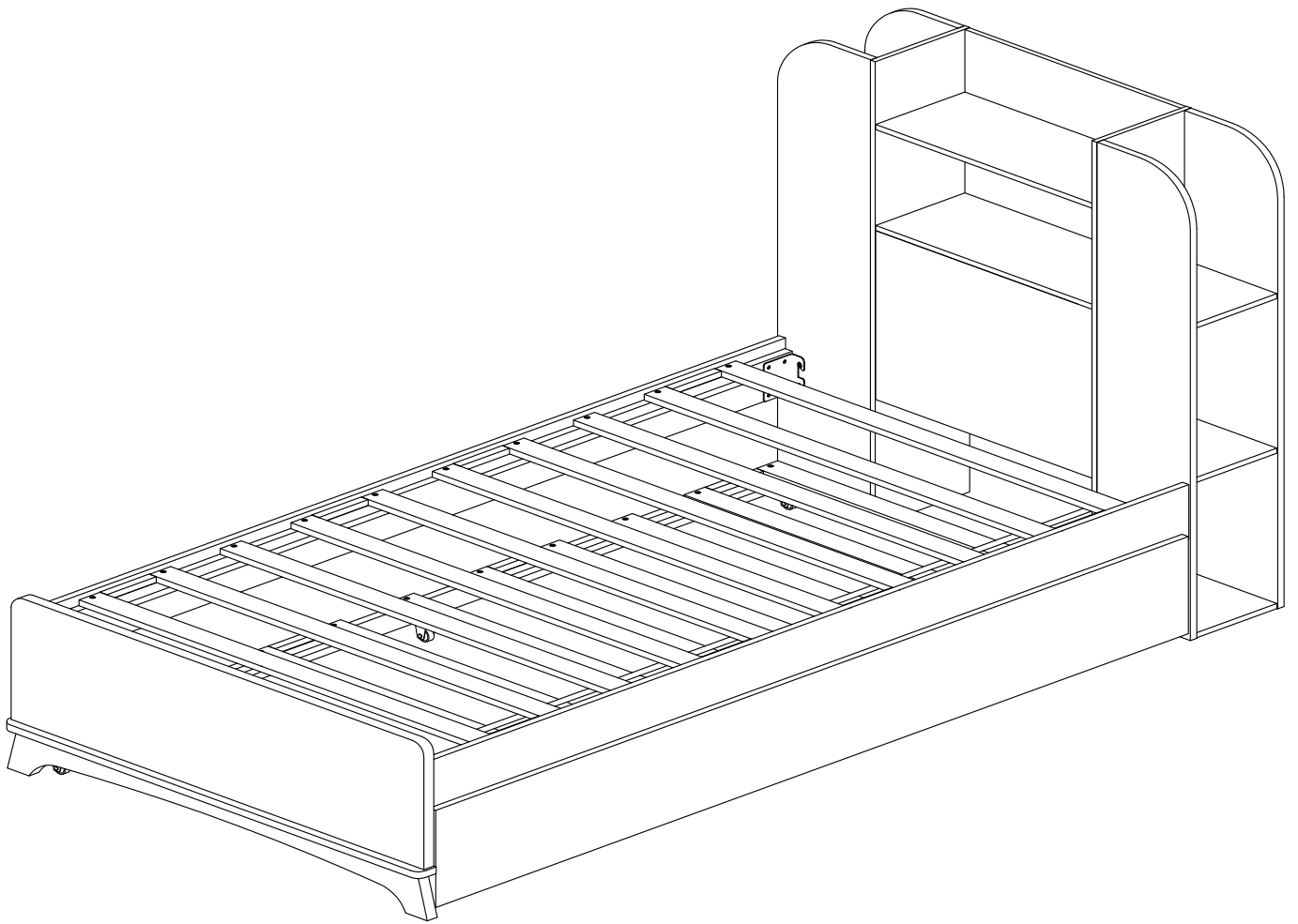


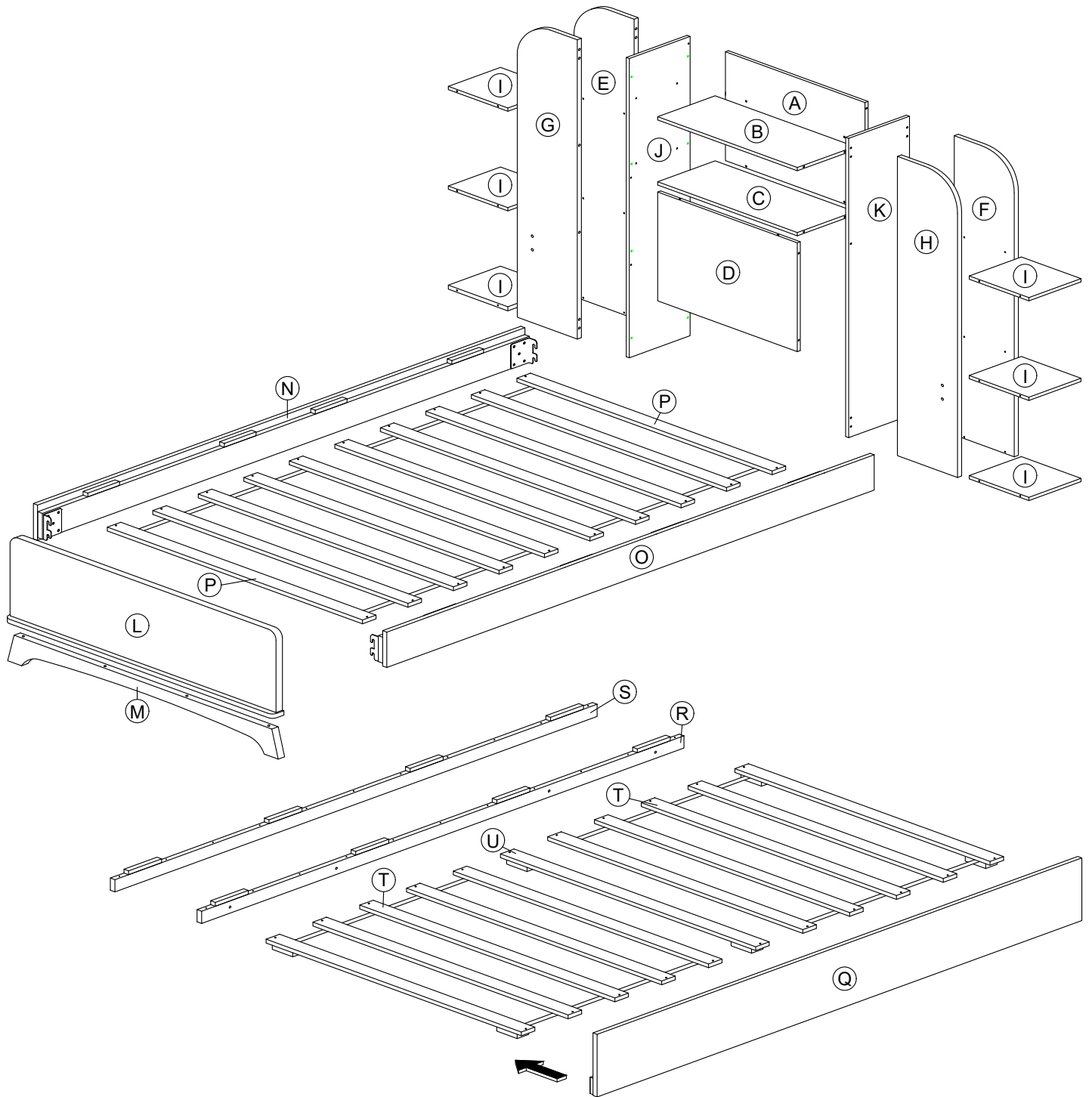
# ASSEMBLY INSTRUCTION

(Twin : Trundle Bed)



# ASSEMBLY INSTRUCTION

(Twin : Trundle Bed)

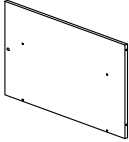
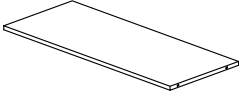
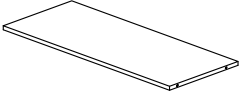
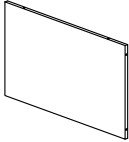




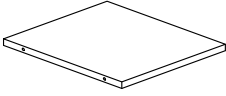


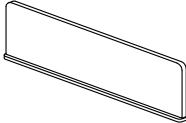
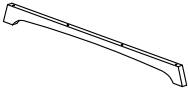
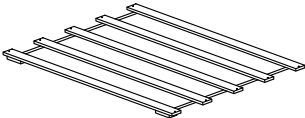


# ASSEMBLY INSTRUCTION

## (Twin : Trundle Bed)

### PART LIST

(BOX 1)








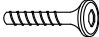
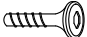
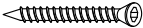

<p style="text-align: center;"><b>A</b></p>  <p style="text-align: center;">Back Middle Panel 1 PCS</p>	<p style="text-align: center;"><b>B</b></p>  <p style="text-align: center;">Middle Panel Up 1 PCS</p>	<p style="text-align: center;"><b>C</b></p>  <p style="text-align: center;">Middle Panel Down 1 PCS</p>	<p style="text-align: center;"><b>D</b></p>  <p style="text-align: center;">Front Panel 1 PCS</p>
<p style="text-align: center;"><b>E</b></p>  <p style="text-align: center;">Side Panel Back L 1 PCS</p>	<p style="text-align: center;"><b>F</b></p>  <p style="text-align: center;">Side Panel Back R 1 PCS</p>	<p style="text-align: center;"><b>G</b></p>  <p style="text-align: center;">Side Panel Front L 1 PCS</p>	<p style="text-align: center;"><b>H</b></p>  <p style="text-align: center;">Side Panel Front R 1 PCS</p>
<p style="text-align: center;"><b>I</b></p>  <p style="text-align: center;">Box Middle Panel 6 PCS</p>	<p style="text-align: center;"><b>J</b></p>  <p style="text-align: center;">Box Back Panel L 1 PCS</p>	<p style="text-align: center;"><b>K</b></p>  <p style="text-align: center;">Box Back Panel R 1 PCS</p>	<p style="text-align: center;"><b>L</b></p>  <p style="text-align: center;">Footboard 1 PCS</p>
<p style="text-align: center;"><b>M</b></p>  <p style="text-align: center;">Footboard Leg 1 PCS</p>	<p style="text-align: center;"><b>T</b></p>  <p style="text-align: center;">Bottom Bed LVL 2 PCS</p>		

# ASSEMBLY INSTRUCTION

## (Twin : Trundle Bed)

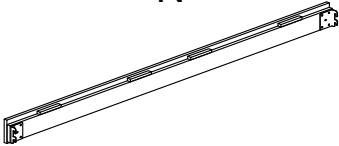
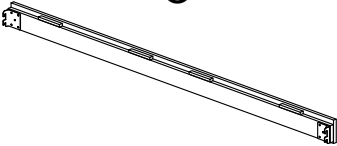
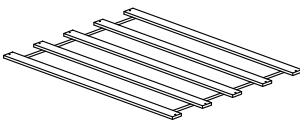
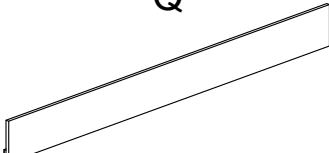
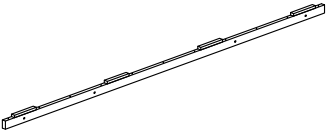
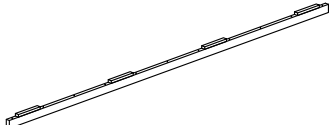
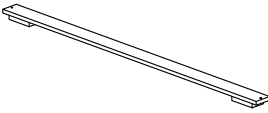
### HARDWARE LIST

(BOX 1)

<p>1</p>  <p>M6x30MM Wood Dowel 8 PCS</p>	<p>2</p>  <p>Camlock 12MM 46 PCS</p>	<p>3</p>  <p>Camlock Bolt 12MM 46 PCS</p>	<p>4</p>  <p>M4 Allen Key 1 PCS</p>
<p>5</p>  <p>M5 Allen Key 1 PCS</p>	<p>6</p>  <p>M3.5x12MM Screw 24 PCS</p>	<p>7</p>  <p>M4x38MM Screw 42 PCS</p>	<p>8</p>  <p>M6x25MM JCBC Screw 4 PCS</p>
<p>9</p>  <p>M8x16MM JCBB Screw 8 PCS</p>	<p>10</p>  <p>Csk M6x50MM 20 PCS</p>	<p>11</p>  <p>Casters 6 PCS</p>	

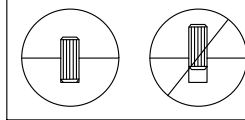
### PART LIST

(BOX 2) WF312864

<p>N</p>  <p>Bed Side Panel L 1 PCS</p>	<p>O</p>  <p>Bed Side Panel R 1 PCS</p>	<p>P</p>  <p>Bed Slats 2 PCS</p>	<p>Q</p>  <p>Bottom Bed Front Panel 1 PCS</p>
<p>R</p>  <p>Side Front LVL 1 PCS</p>	<p>S</p>  <p>Side Back LVL 1 PCS</p>	<p>U</p>  <p>Special LVL 1 PCS</p>	

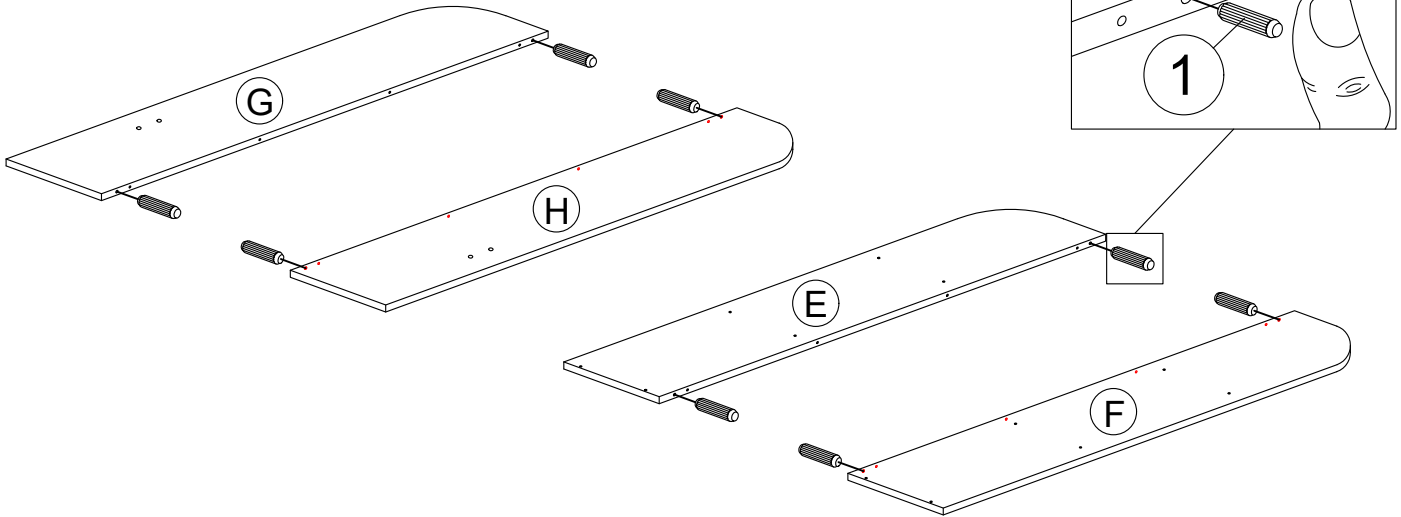
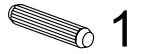
# ASSEMBLY INSTRUCTION

## Step 1



Required/Requis/Requerido

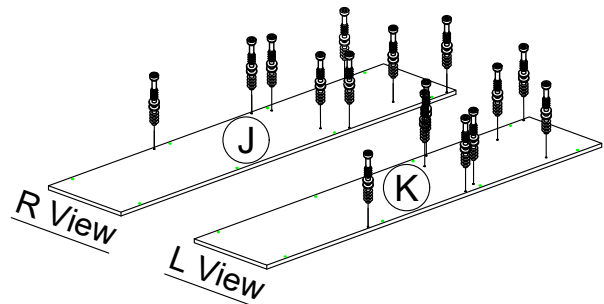
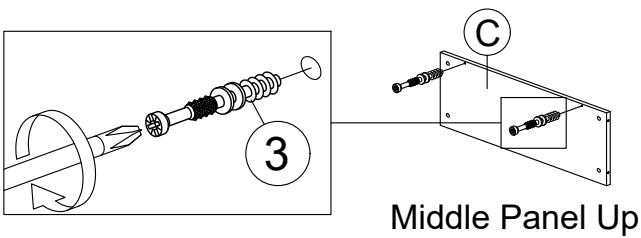
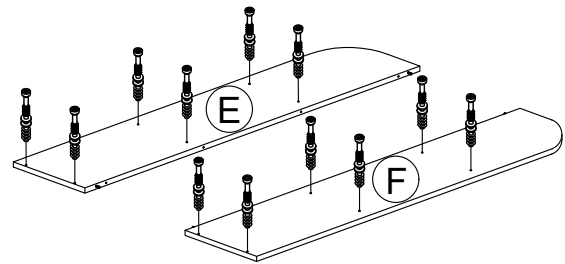
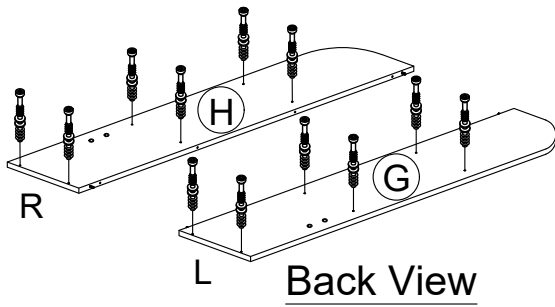
x8



## Step 2

Required/Requis/Requerido

x42



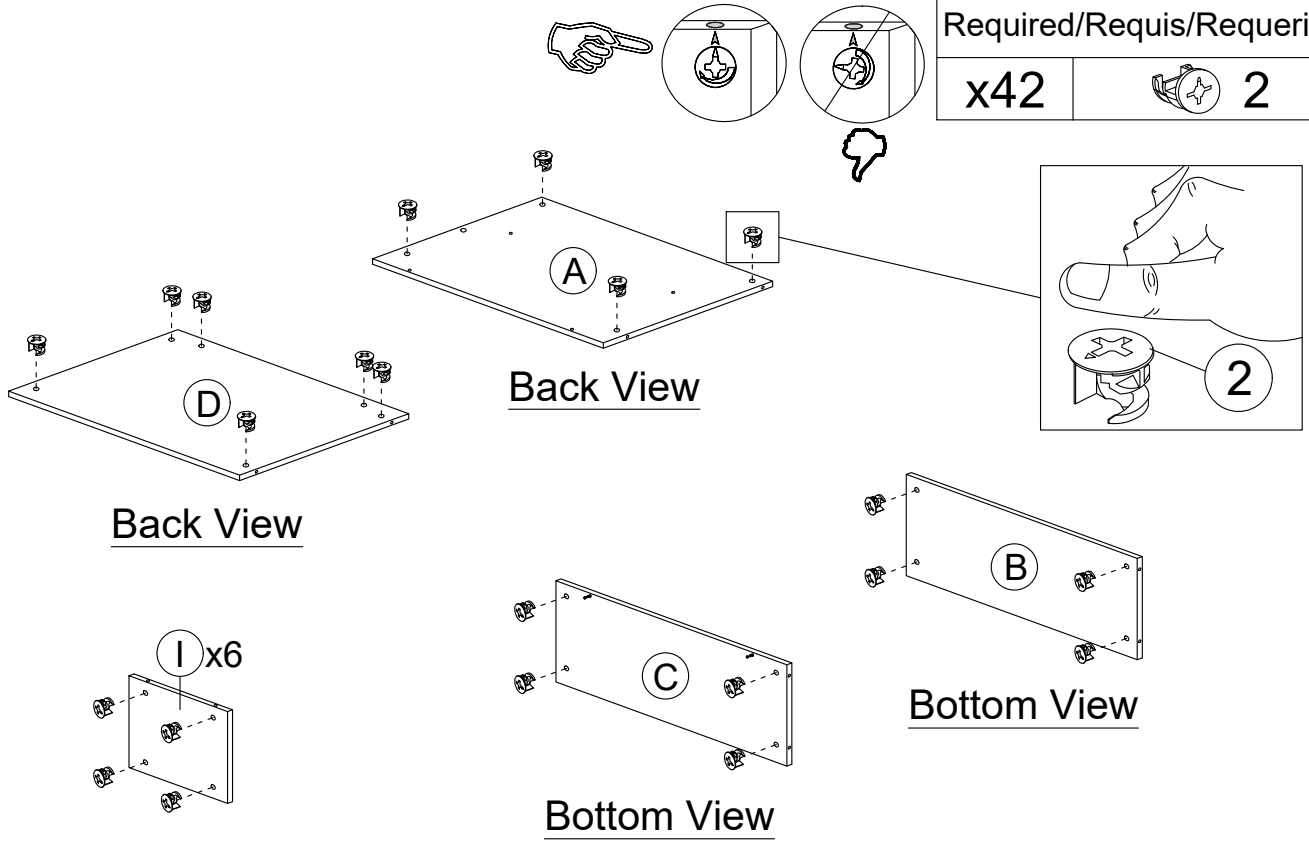
# ASSEMBLY INSTRUCTION

## Step 3

Required/Requis/Requerido

x42

 2



## Step 4

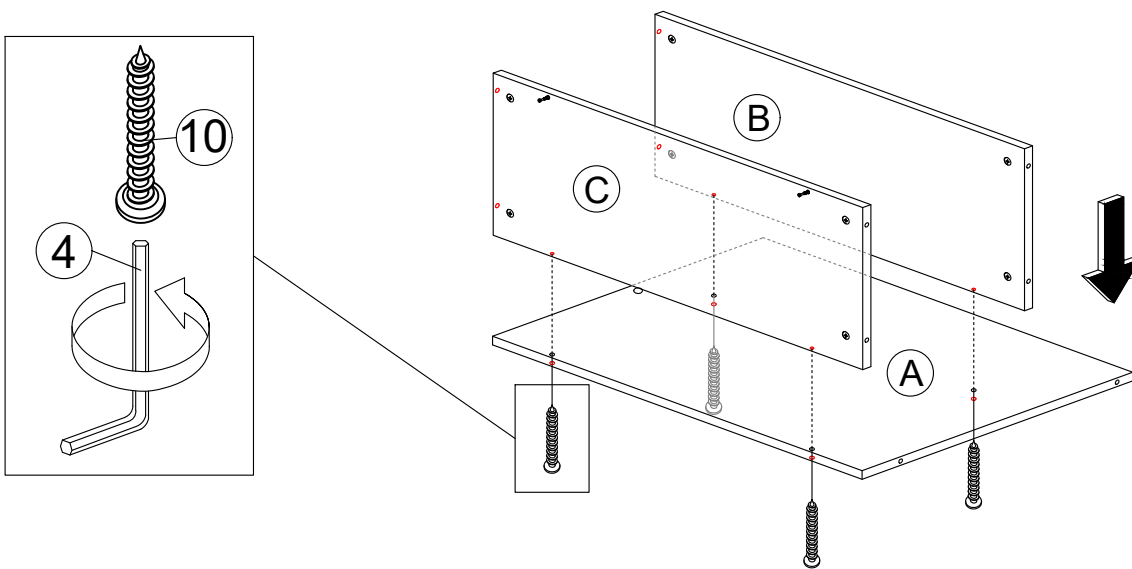
Required/Requis/Requerido

x1

 4

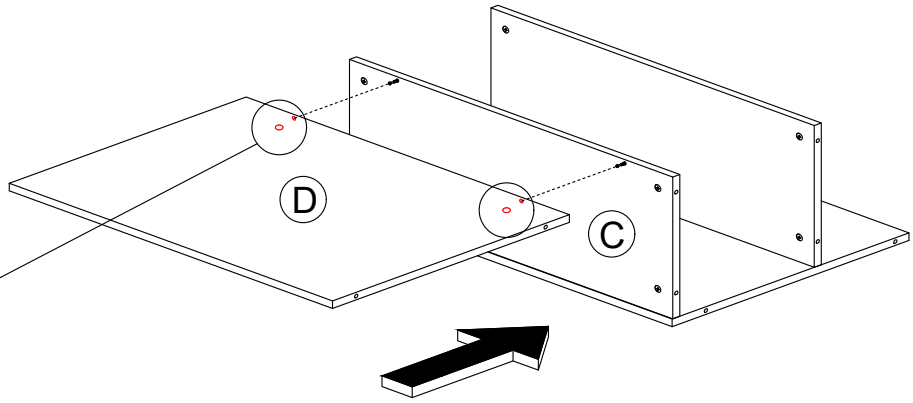
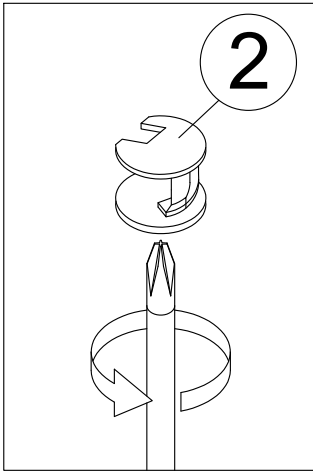
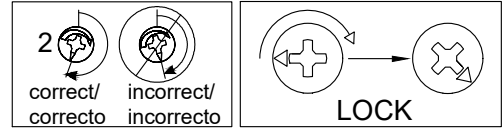
x4

 10

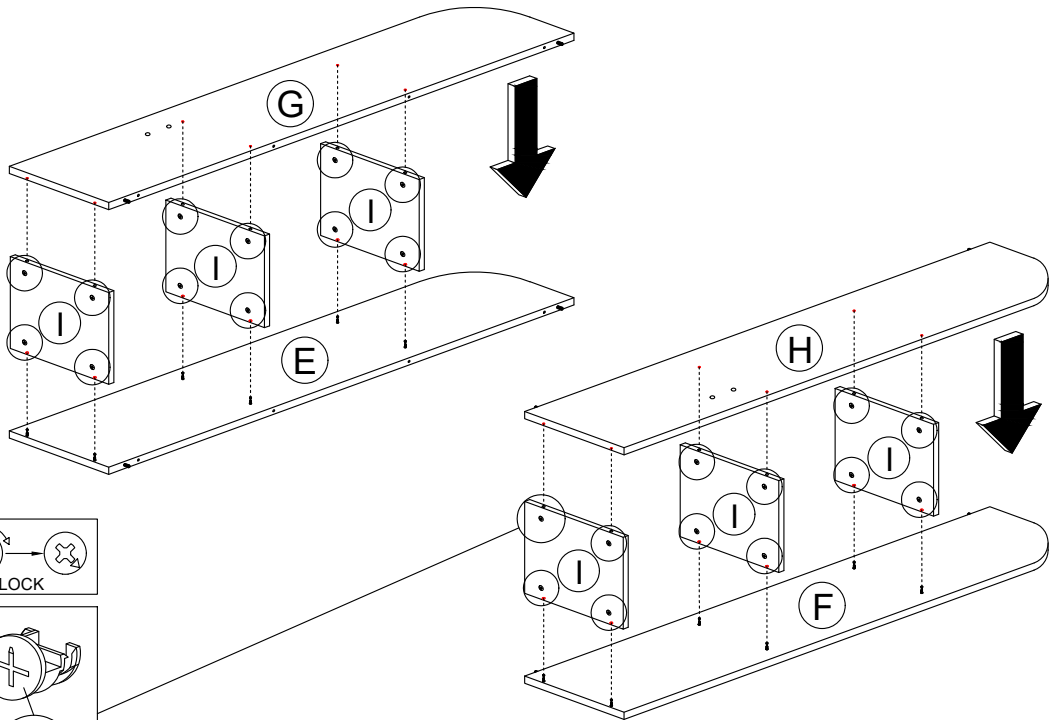
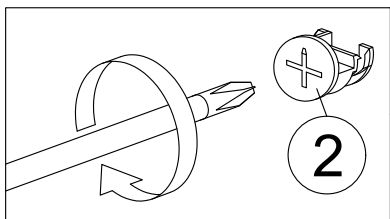
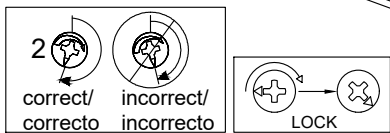


# ASSEMBLY INSTRUCTION

## Step 5





## Step 6

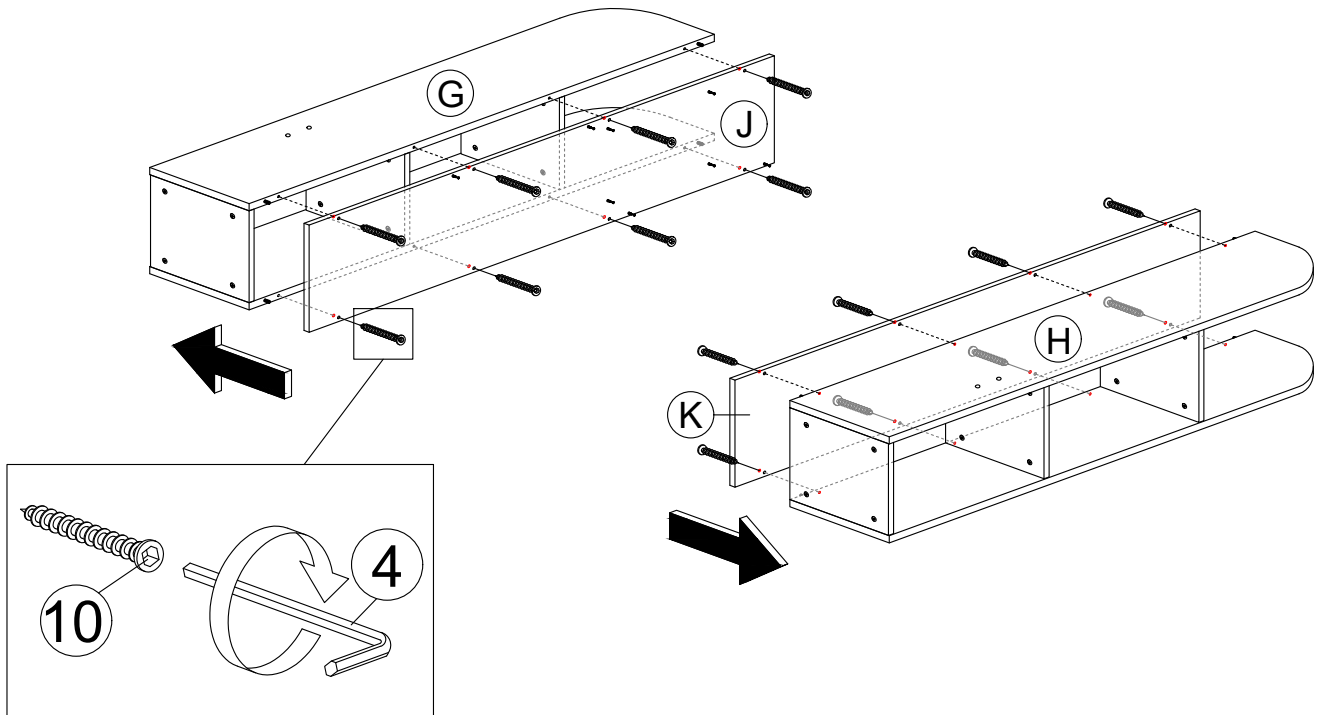


# ASSEMBLY INSTRUCTION

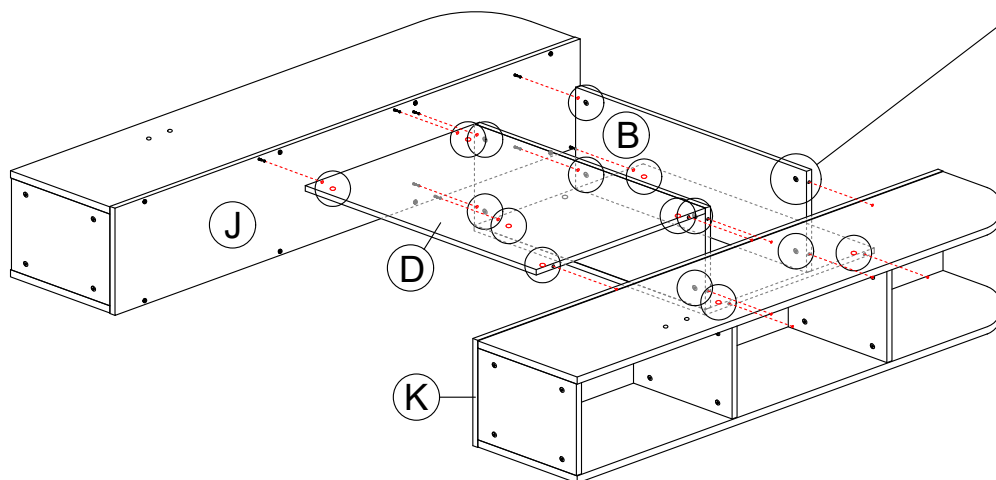
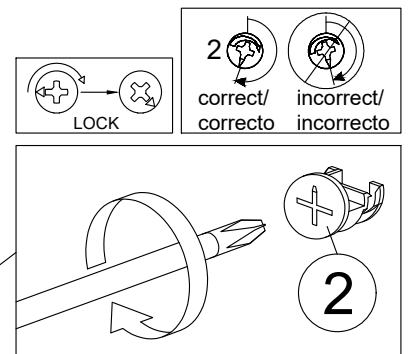
## Step 7

Required/Requis/Requerido

x1		4
x16		10



## Step 8

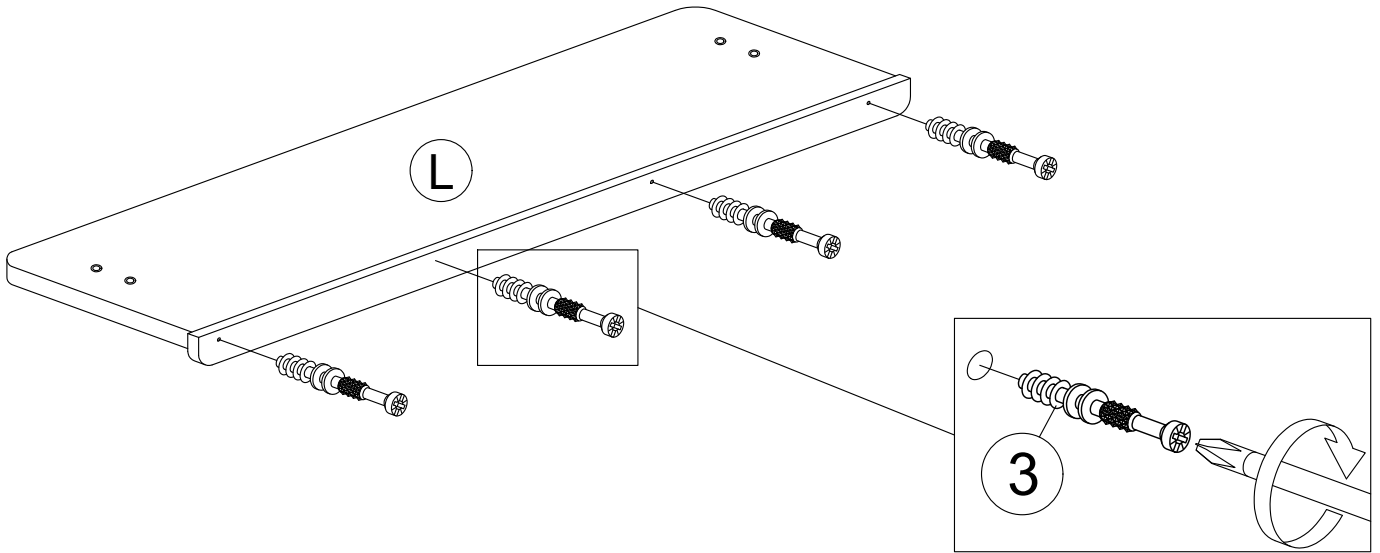


# ASSEMBLY INSTRUCTION

## Step 9

Required/Requis/Requerido

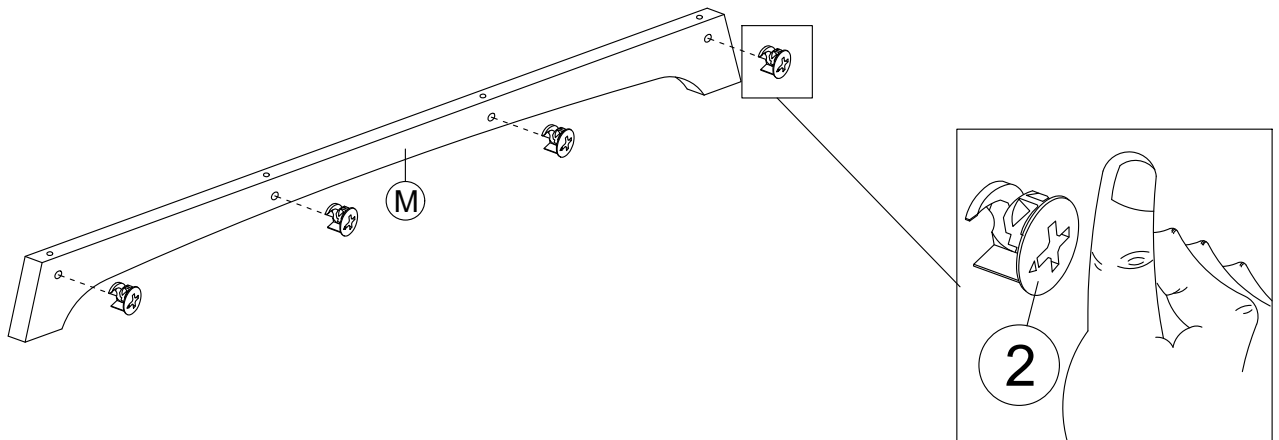
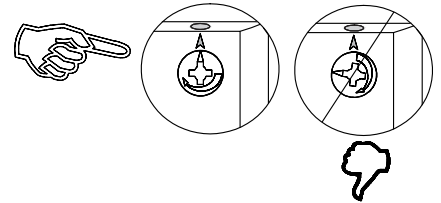
x4



## Step 10

Required/Requis/Requerido

x4



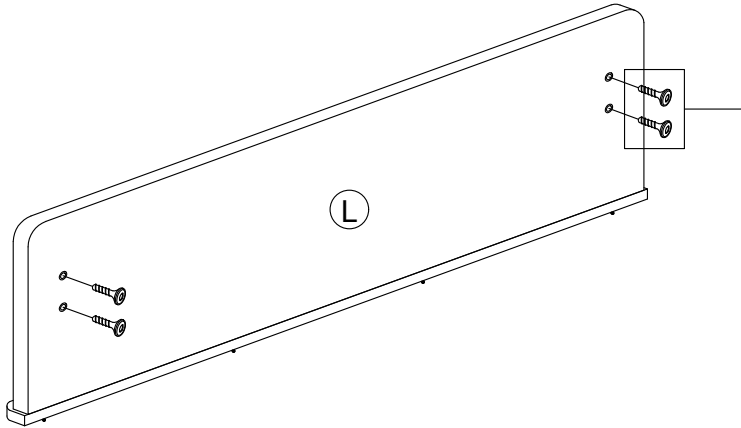
# ASSEMBLY INSTRUCTION

## Step 11

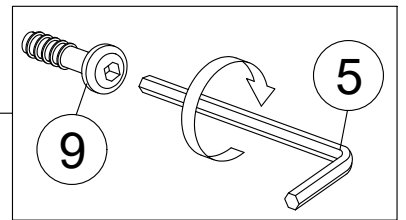
Required/Requis/Requerido

x1  5

x4  9

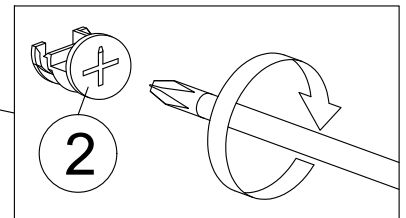
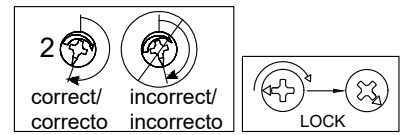
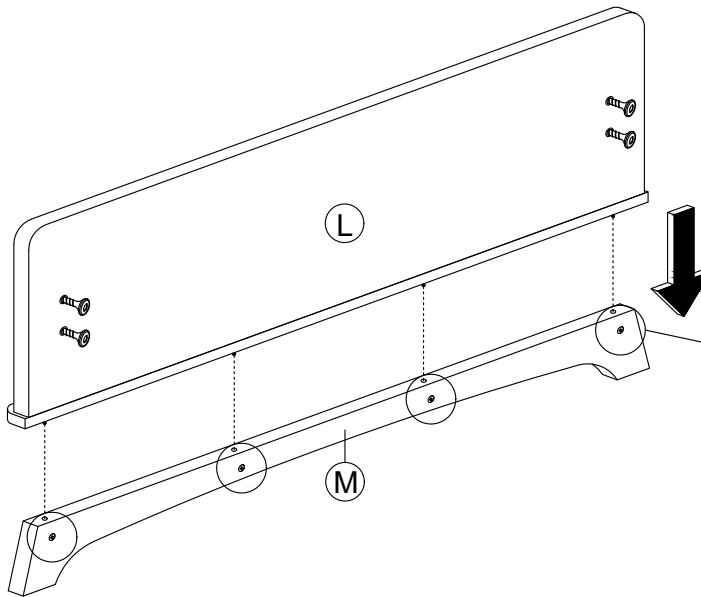


Don't Tighten until end,  
please left 2-5mm  
distance for next step  
assembly part



Rear View

## Step 12



Rear View

# ASSEMBLY INSTRUCTION

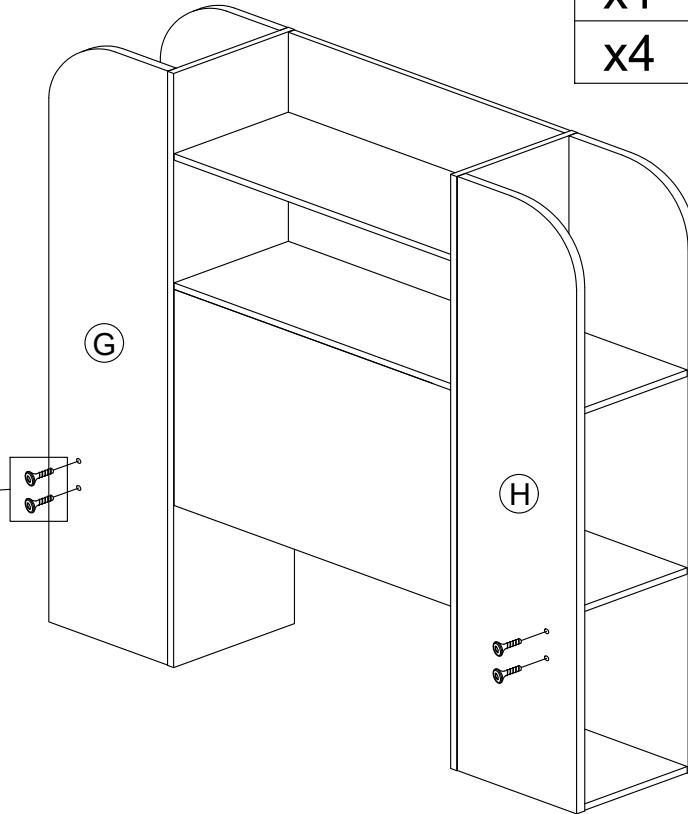
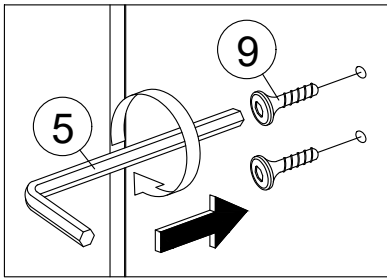
## Step 13

Required/Requis/Requerido

x1  5

x4  9

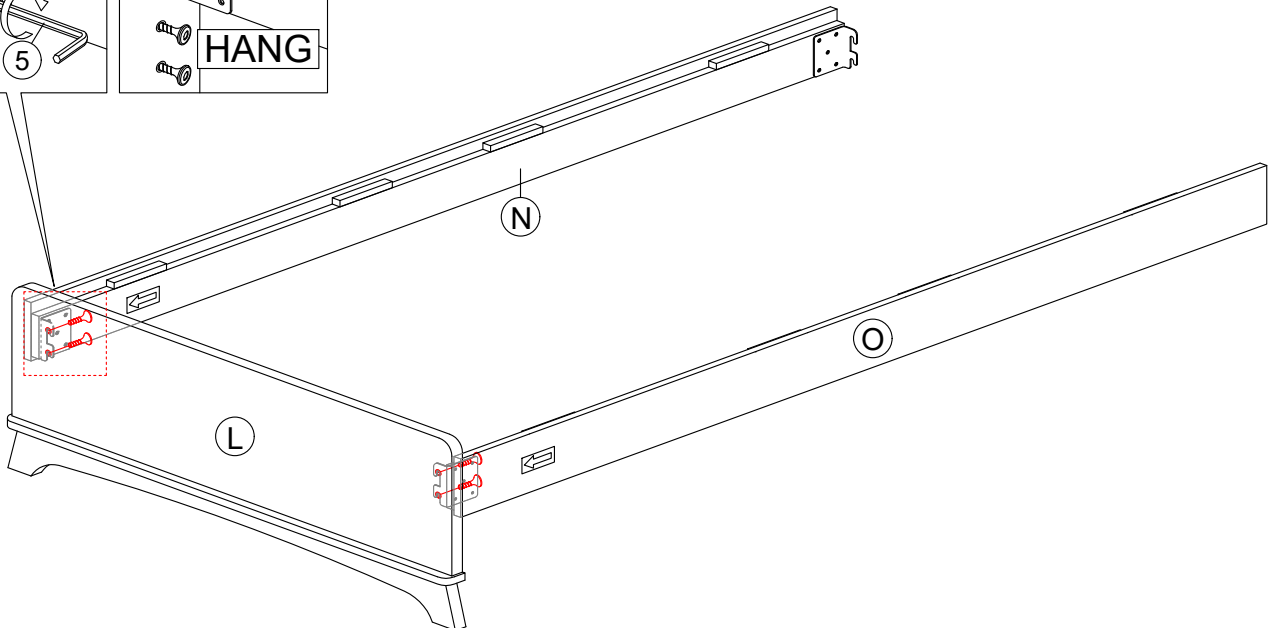
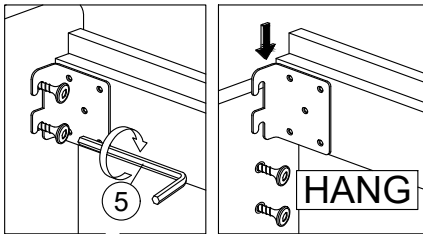
Don't Tighten until end,  
please left 2-5mm  
distance for next step  
assembly part



## Step 14

Required/Requis/Requerido

x1  5

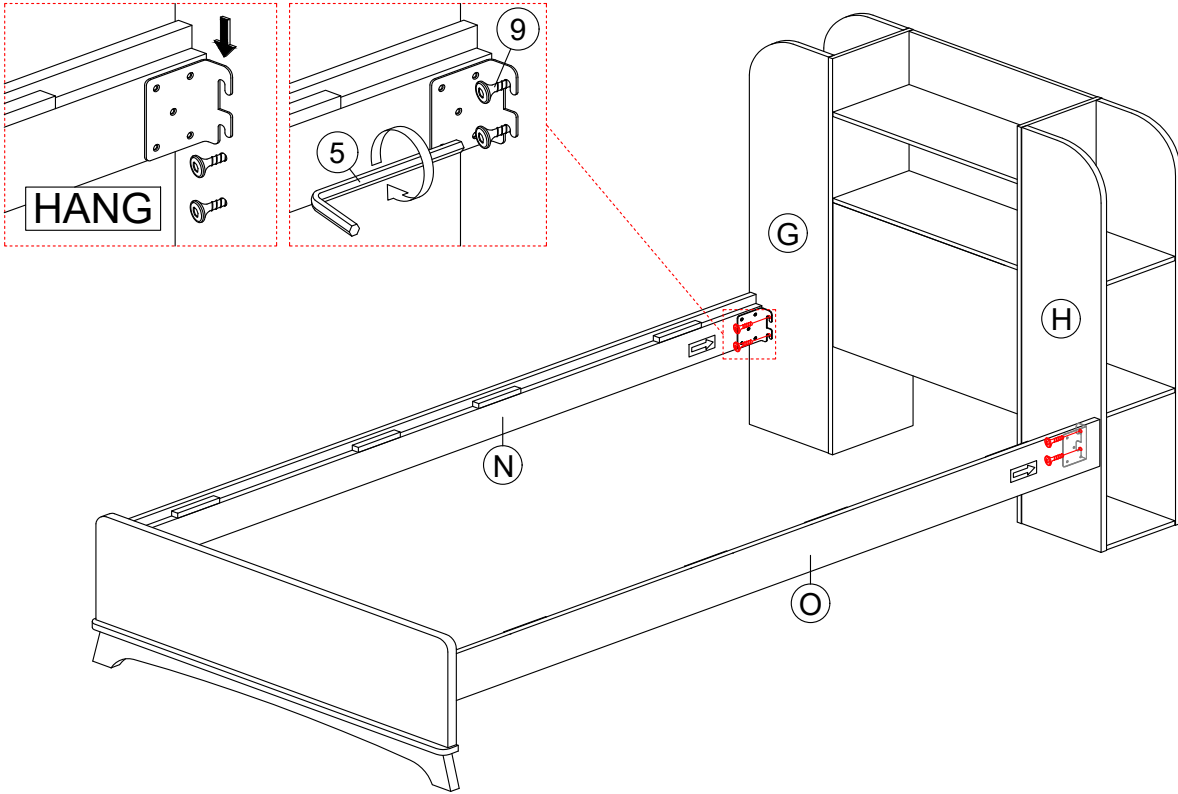


# ASSEMBLY INSTRUCTION

## Step 15

Required/Requis/Requerido

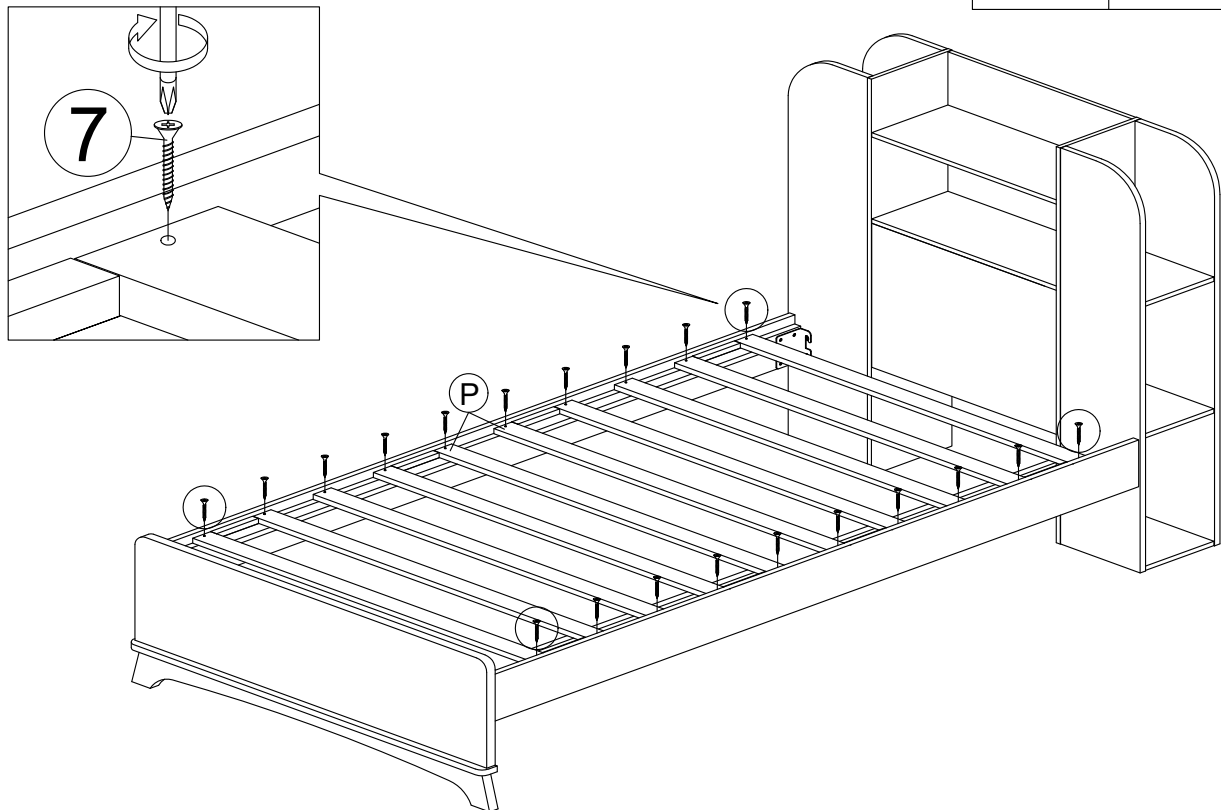
x1



## Step 16

Required/Requis/Requerido

x20



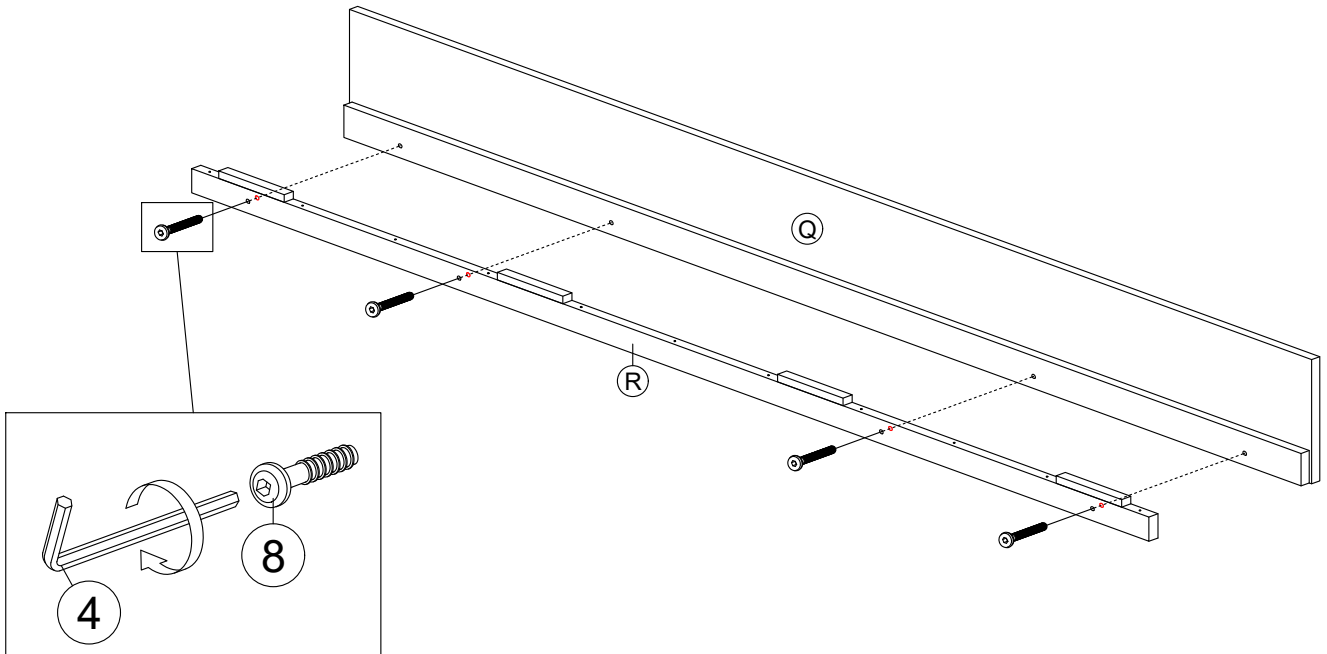
# ASSEMBLY INSTRUCTION

## Step 17

Required/Requis/Requerido

x1  4

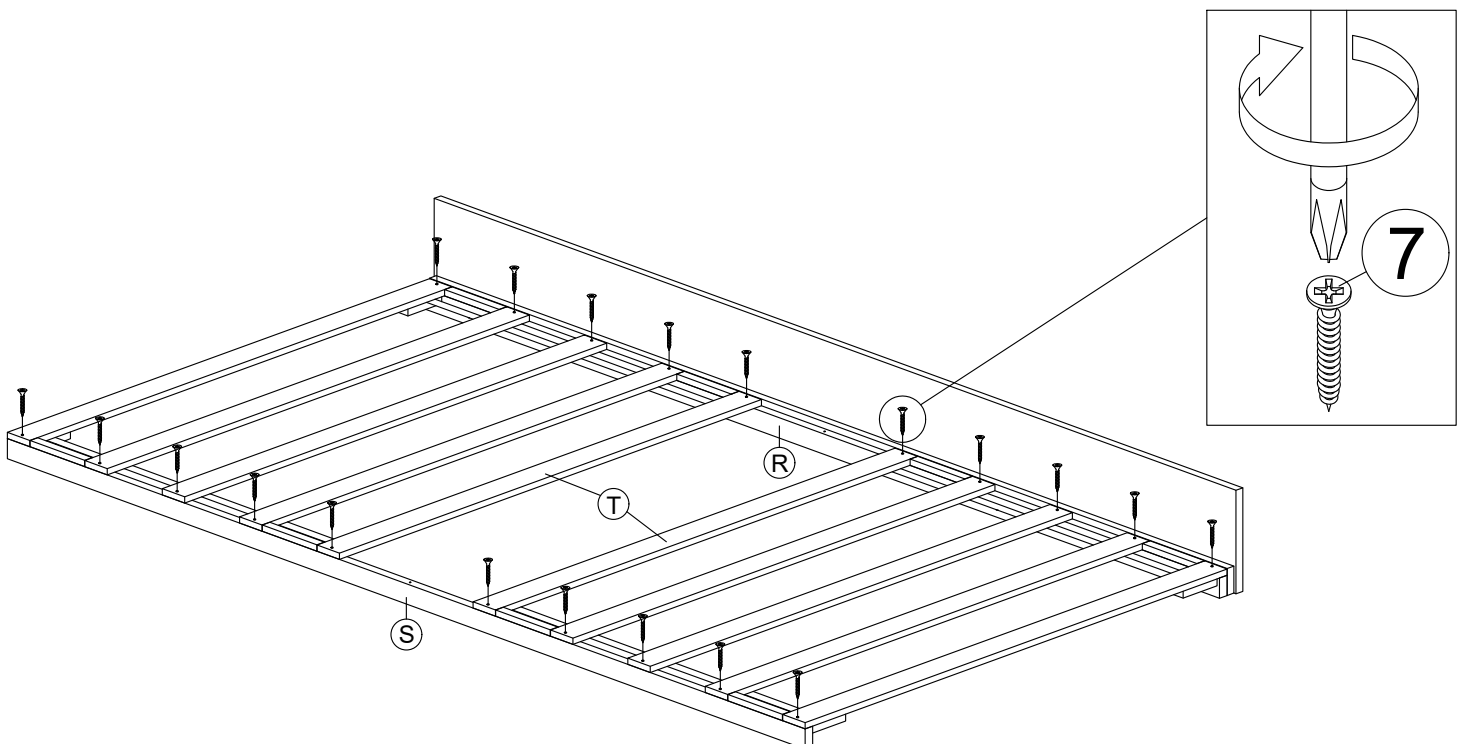
x4  8



## Step 18

Required/Requis/Requerido

x20  7

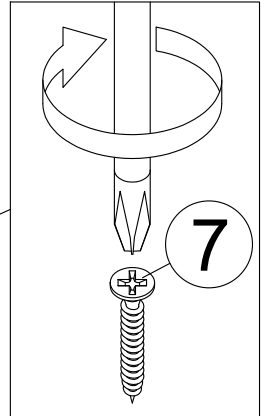
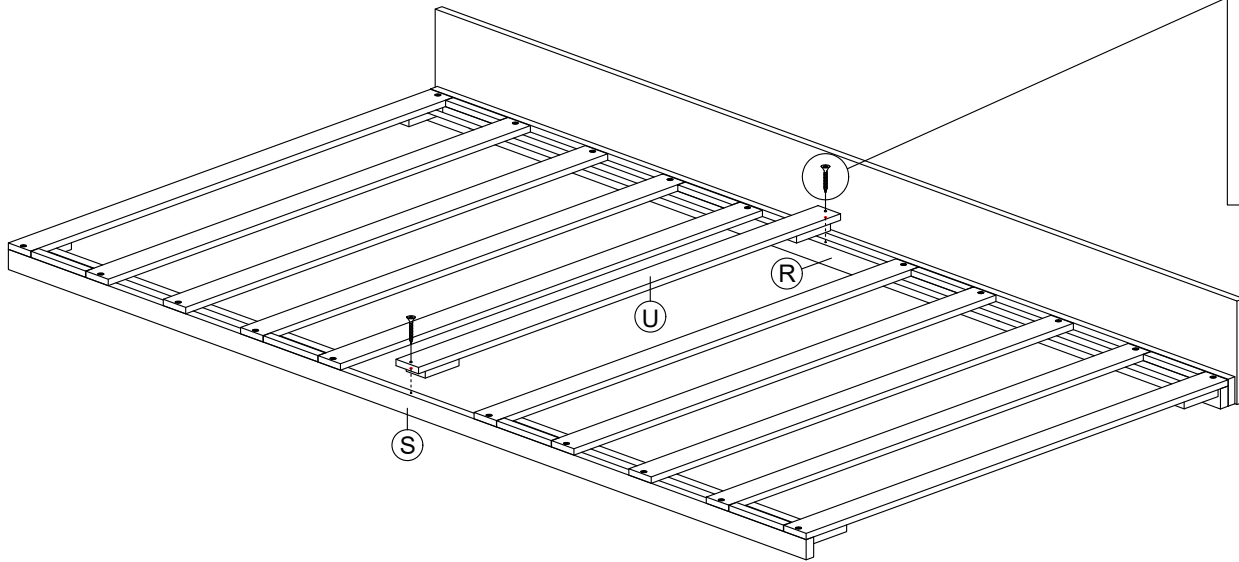


# ASSEMBLY INSTRUCTION

## Step 19

Required/Requis/Requerido

x2



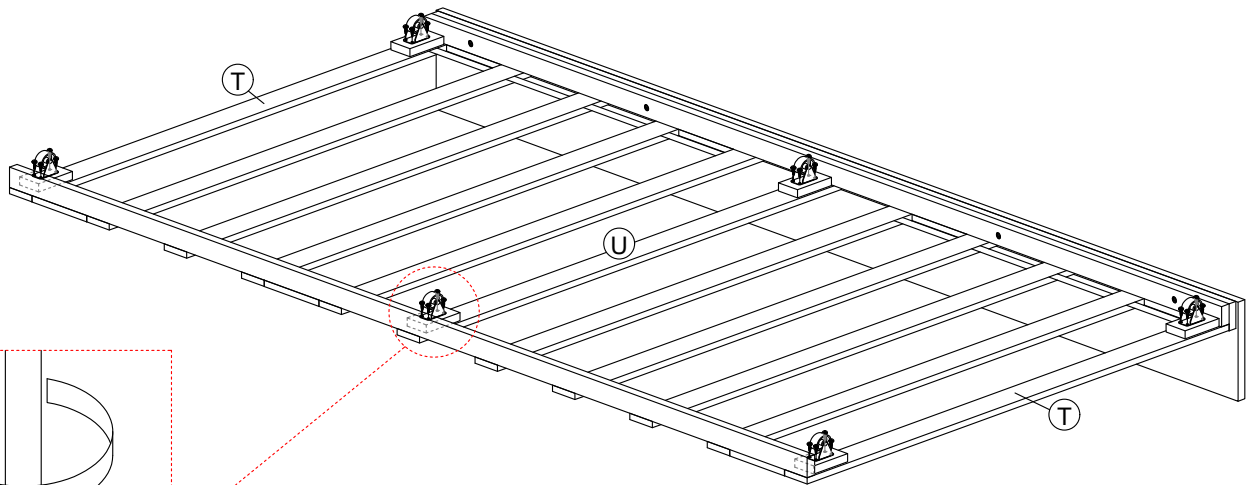
## Step 20

Required/Requis/Requerido

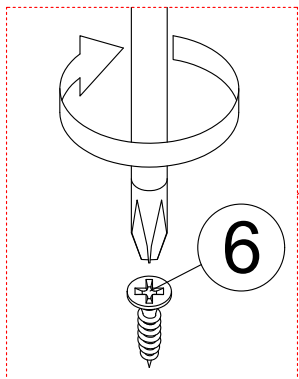
x24



x6

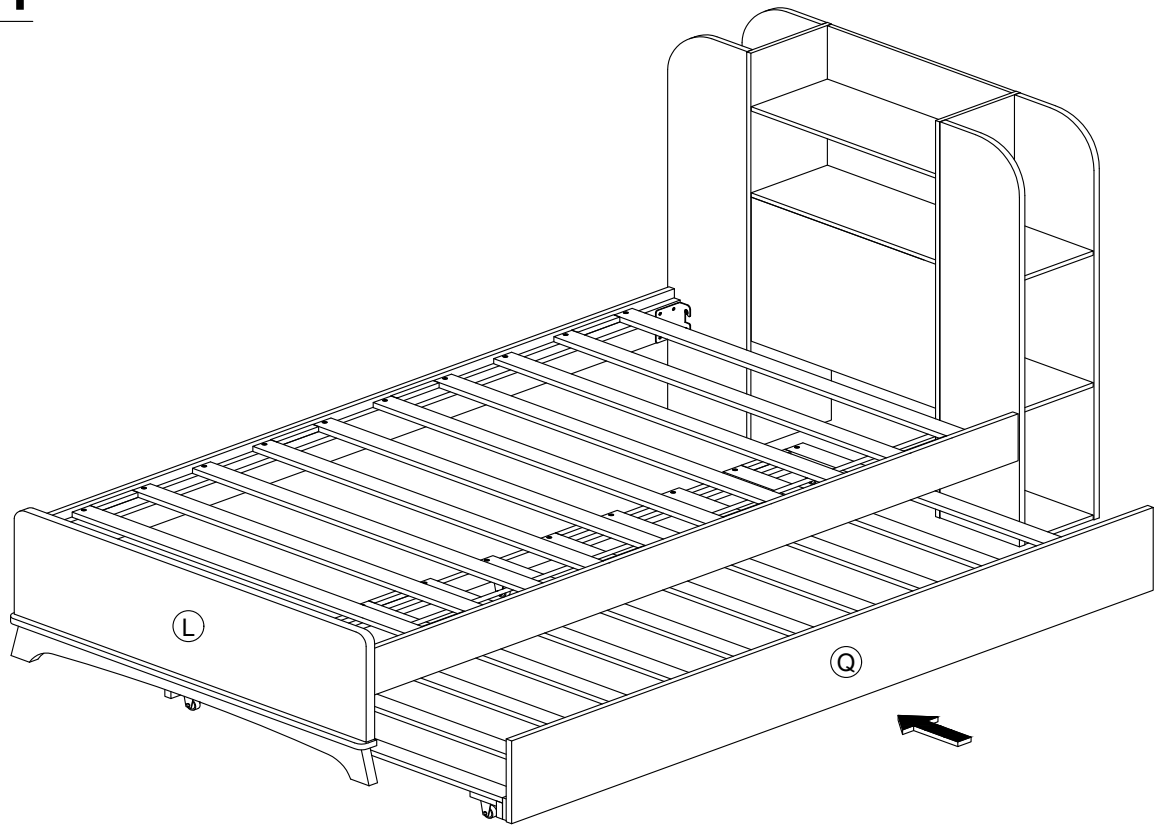


Bottom View



# ASSEMBLY INSTRUCTION

## Step 21



## Complete

