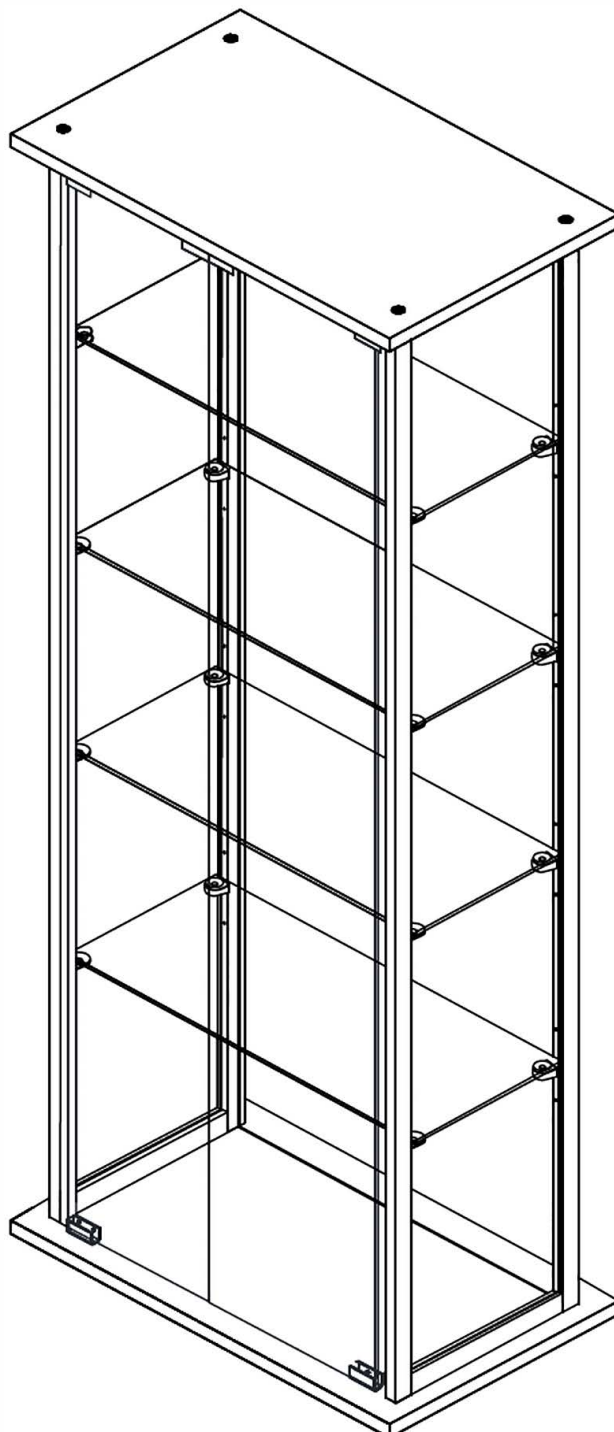


ASSEMBLY GUIDE



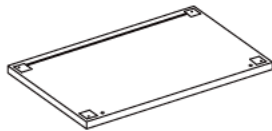
Note: This instruction booklet contains important safety information, please read and keep for future reference.

ASSEMBLY INSTRUCTION

- Ensure that all parts and components are located before beginning assembly. Parts are labeled to help distinguish similar parts from each other. Use this PARTS IDENTIFICATION to help identify similar parts.
- Assemble on a soft surface to prevent damage to the product finish.
- Three people are needed for assembly.
- Estimated assembly time is approximately 1 hour.

PARTS list

A
BOTTOM PANEL-1PC



BL1
FRONT LEFT SHELF SUPPORT-1PC



BR1
FRONT RIGHT SHELF SUPPORT-1PC



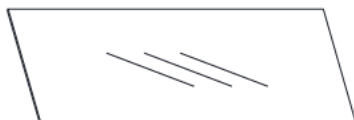
BL2
BACK LEFT SHELF SUPPORT-1PC



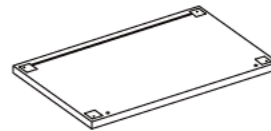
BR2
BACK RIGHT SHELF SUPPORT-1PC



C
BACK GLASS-1PC



D
TOP PANEL-1PC



E
SIDE GLASS-2PCS



F
DOOR GLASS-2PCS










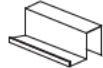





G
SHELF GLASS-4PCS



H
BAR-4PCS

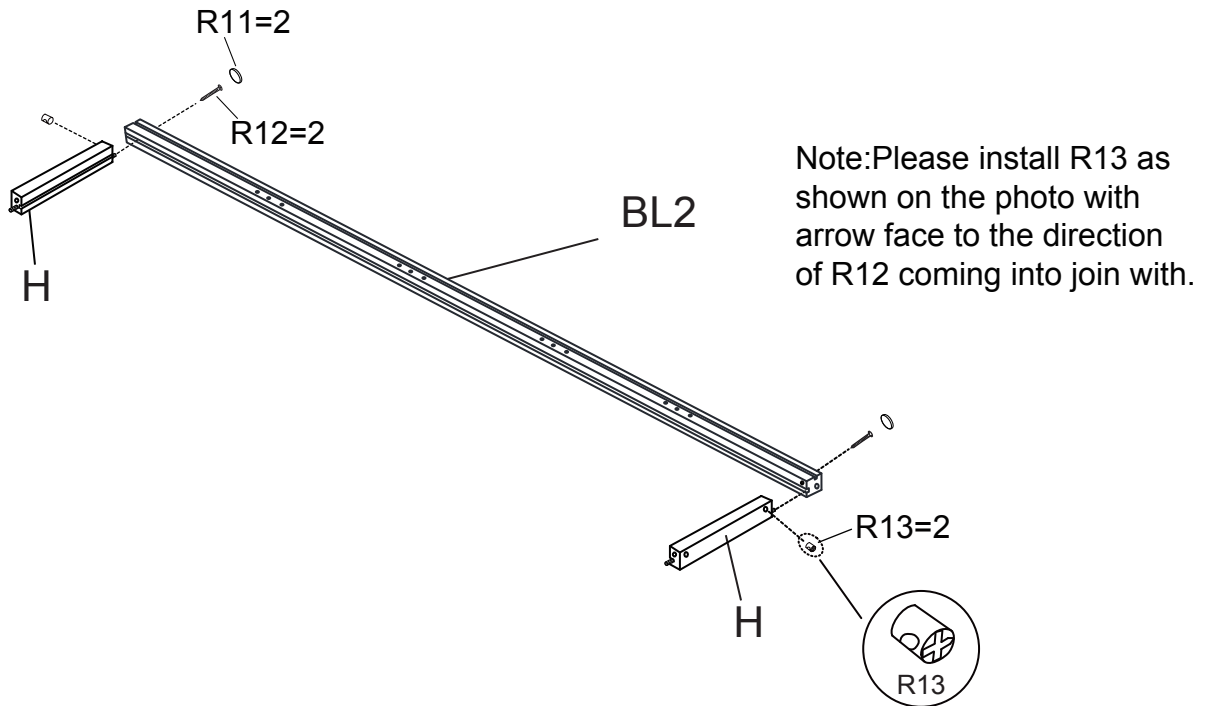


HARDWARE PACKAGE

LIST	DESCRIPTION	FIGURE	Q'TY
R1	MAGNET		1PC
R2	FLAT HEAD SCREW ST2.9×12		2PCS
R3	FLAT HEAD SCREW ST6×60		8PCS
R4	SHELF SUPPORT STUD		16PCS
R5	METAL NUT		8PCS
R6	GLASS HINGE		2PCS
R7	GLASS HINGE		2PCS
R8	LATCH PLATE		2PCS
R9	ADJUSTABLE FOOT		4PCS
R10	PLASTIC SCREW ANCHOR		1PC
R11	STICKER		20PCS
R12	FLAT HEAD SCREW ST3.5X60		8PCS
R13	PLASTIC NUT		8PCS

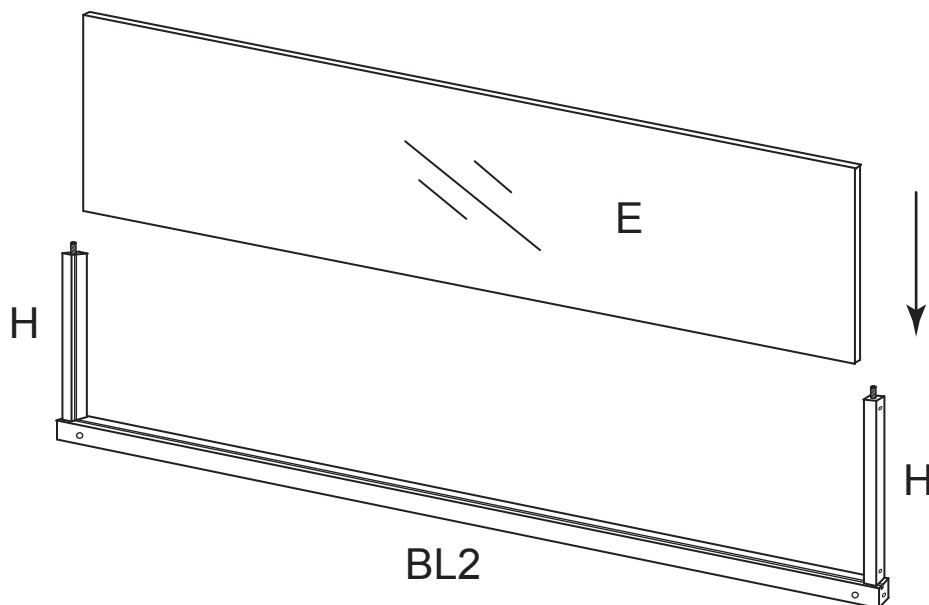
Step1 :

Fasten back left shelf support BL2 to bar H, using 2 flat head screw R12 (ST3.5×60) and 2 plastic nut R13, then put 2 sticker R11.



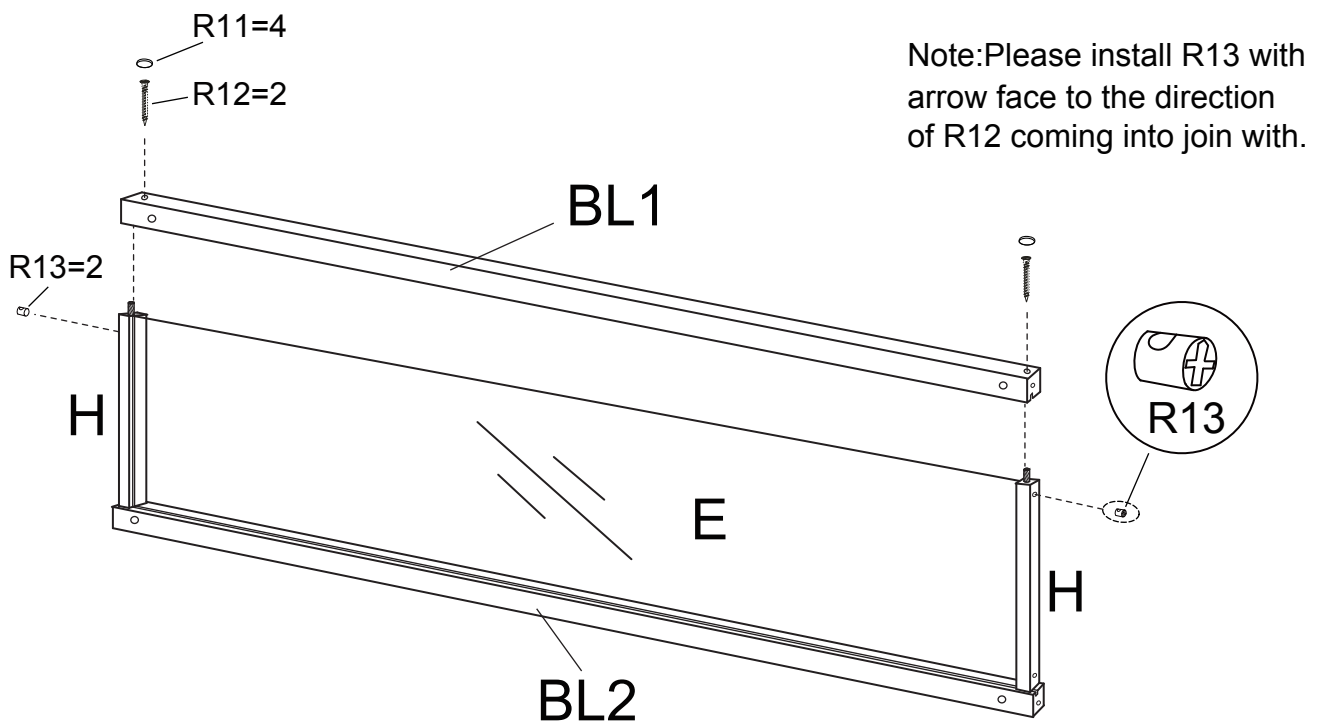
Step 2:

Slide side glass E into groove on bar H, then insert it slowly into the groove on back left shelf support BL2.



Step 3:

Fasten front left shelf support BL1 to 2 bar H, using 2 flat head screw R12(ST3.5X60) and 2 plastic nut R13, then put 2 sticker R11.

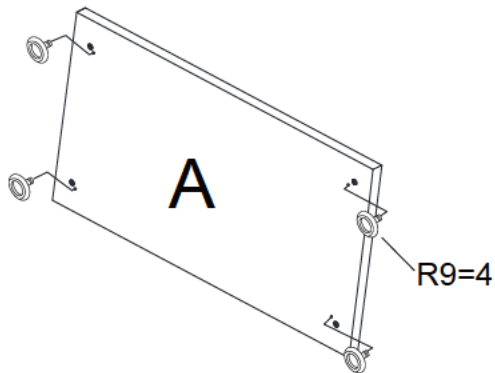


Step 4:

Repeat above steps for another back right shelf support BR2 and front right shelf support BR1.

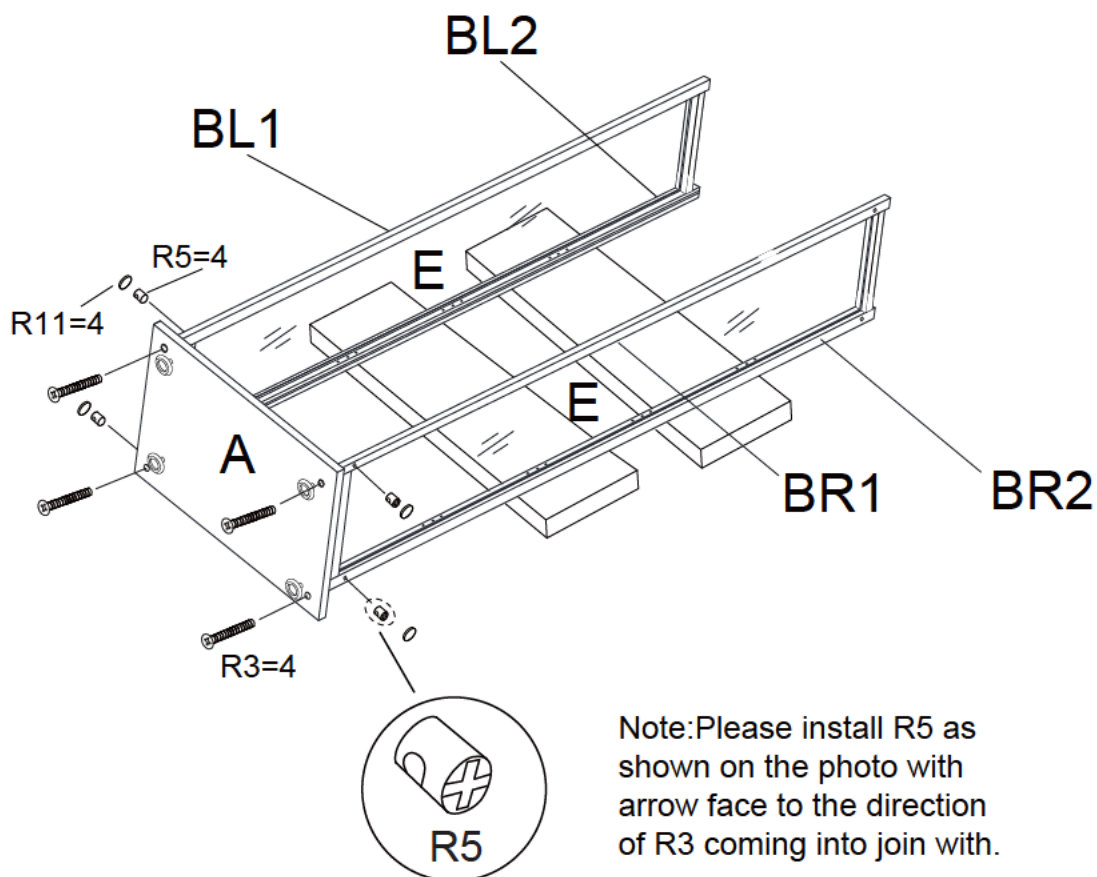
Step 5 :

Fasten 4 adjustable foot R9 to bottom panel A.

**Step 6 :**

1. Take out two foams marked with "assembly cushion" from carton(or similar foam you have on hand) and lay them on a table, then put installed component on them. Pls be noted that you have to finish a couple of following steps on a table with certain height, otherwise if you do it on ground, it would be difficult to put the screws in.

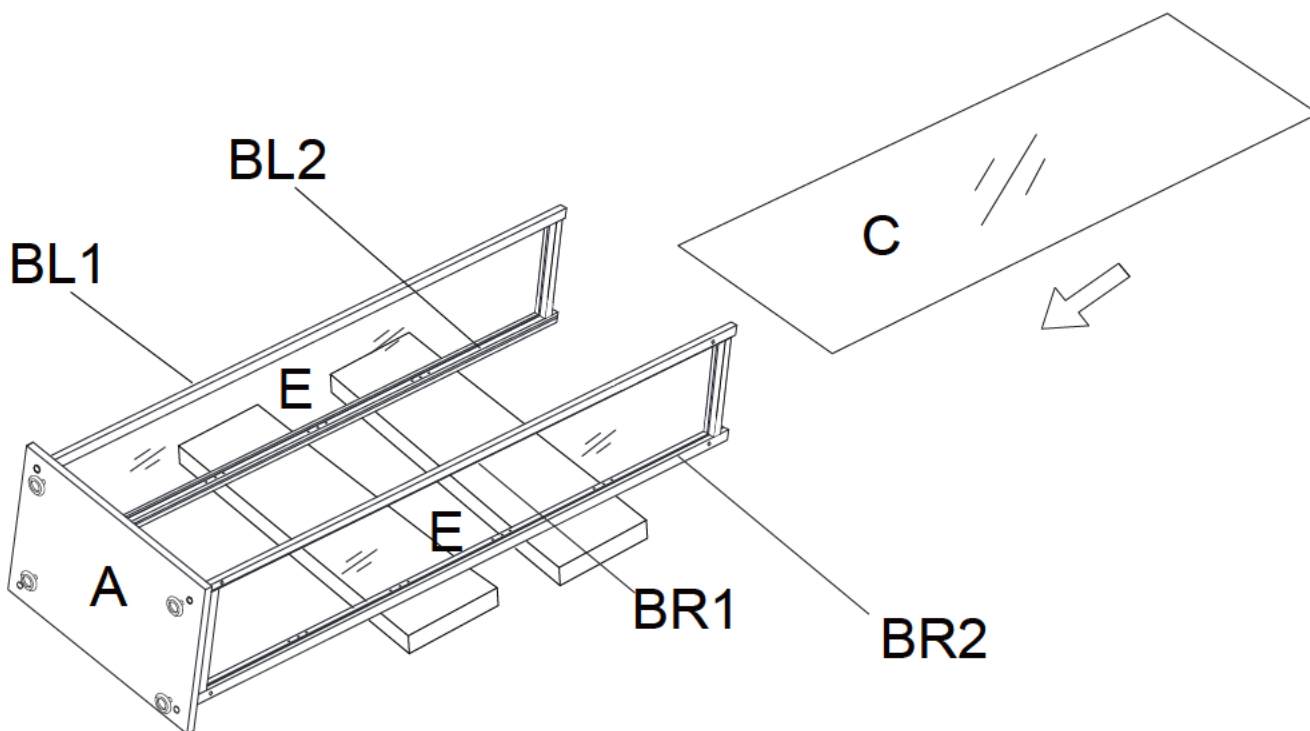
2. Fasten BL1, BL2, BR1, BR2 to bottom panel A, using 4 flat head screw R3(ST6x60) and 4 metal nut R5. Then put 4 sticker R11.



Note: Please install R5 as shown on the photo with arrow face to the direction of R3 coming into join with.

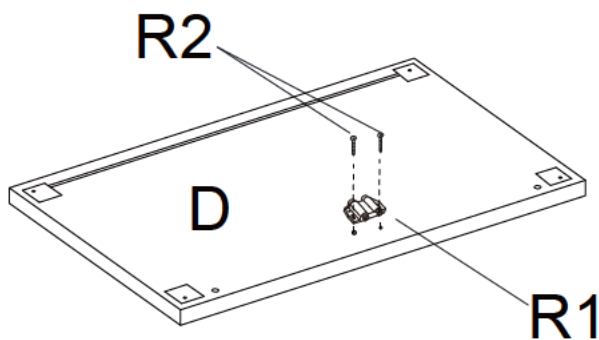
Step7 :

Slide back glass C into groove on BL2 & BR2, then insert it slowly into groove on bottom panel A .



Step 8:

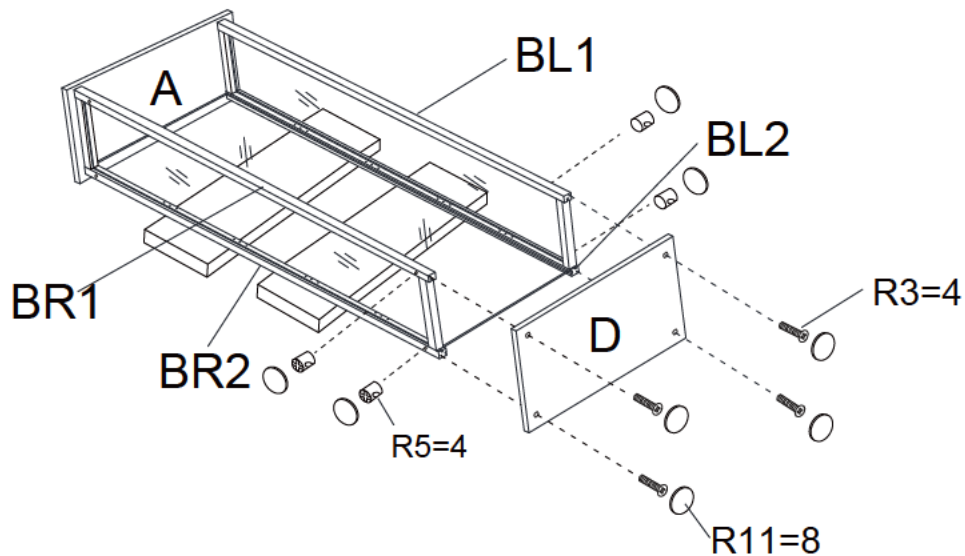
Fasten 1 magnet R1 to top panel D, using 2 flat head screw R2(ST2.9×12).



Note: The magnetic latches are adjustable, please make sure they are in the right place to attach the door closely.

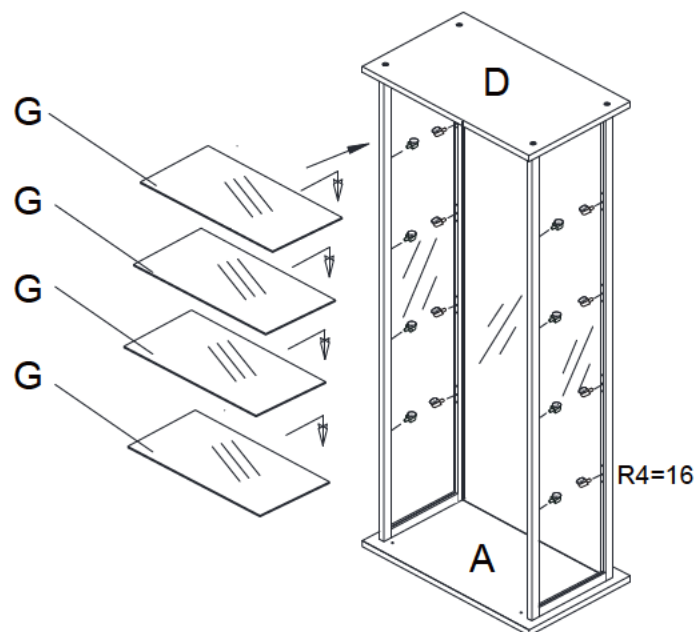
Step 9:

Fasten shelf support BR1, BR2, BL1 & BL2 to top panel D, using 4 flat head screw R3(ST6X60) and 4 metal nut R5, then put 8 sticker R11.



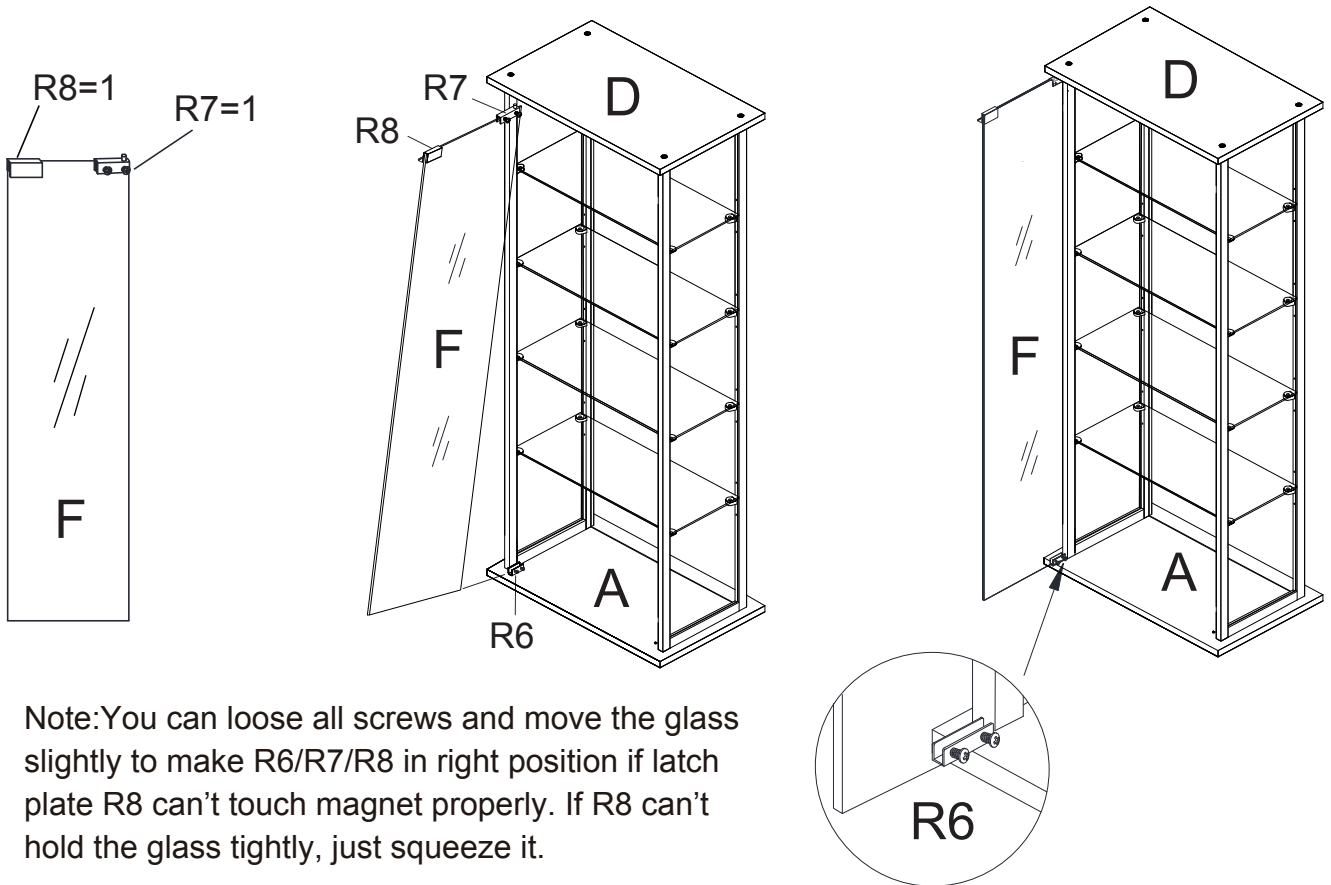
Step 10 :

Insert 16 shelf support stud R4 into the right holes on BL1, BR1, BL2, BR2, then put 4 shelf glass G on shelf support stud.



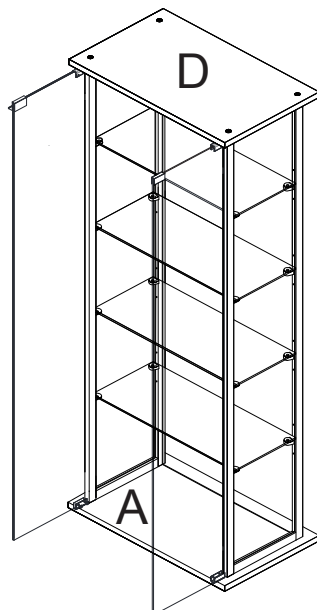
Step 11:

1. Fasten 1 latch plate R8 and 1 glass hinge R7 on the corners of door glass F.
2. Insert glass hinge R6 into the hole on bottom panel A.
3. Insert glass hinge R7 into the hole on top panel D.
4. Slide glass door F into R6, then fasten the screws.

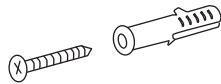


Note: You can loose all screws and move the glass slightly to make R6/R7/R8 in right position if latch plate R8 can't touch magnet properly. If R8 can't hold the glass tightly, just squeeze it.

5. Repeat the process for another door F.



(R10) PLASTIC SCREW
ANCHOR: 1PC



Step 12:

In order to ensure that the cabinet is stable adjust the adjustable foot under the cabinet. As an added safety feature, a support strap on top panel D has been provided, it must be attached to the wall, using plastic screw anchor R10.

