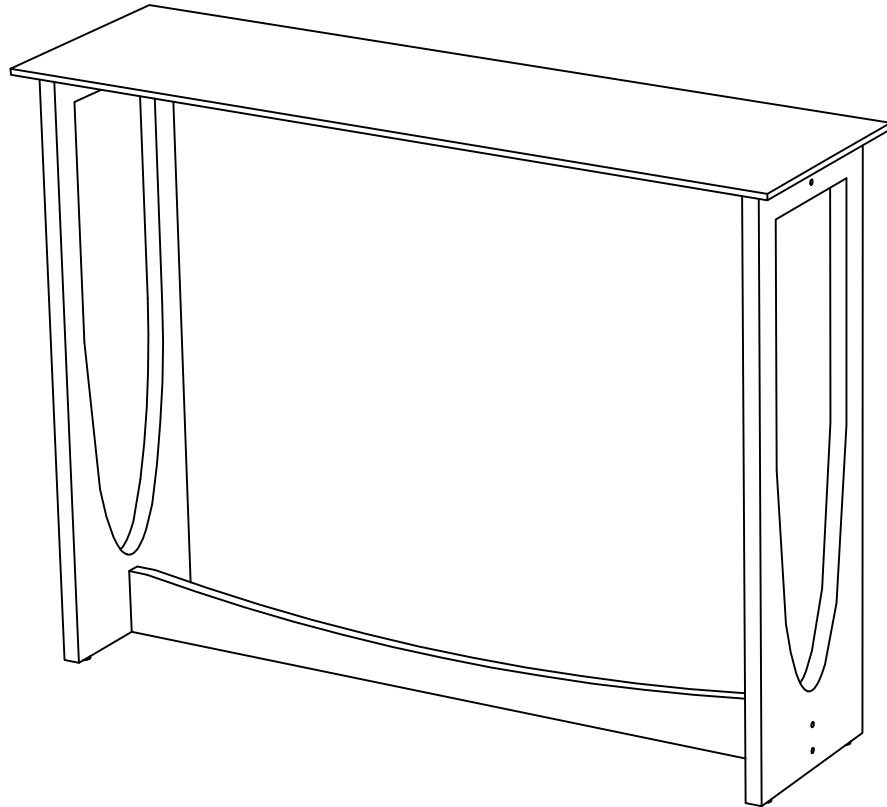


# ASSEMBLY INSTRUCTIONS

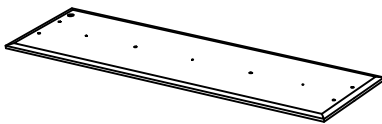
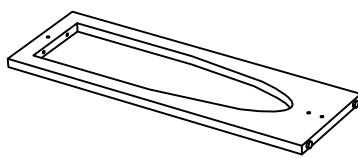
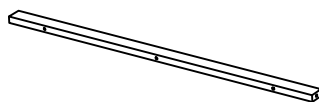
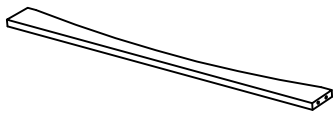
## Console Table

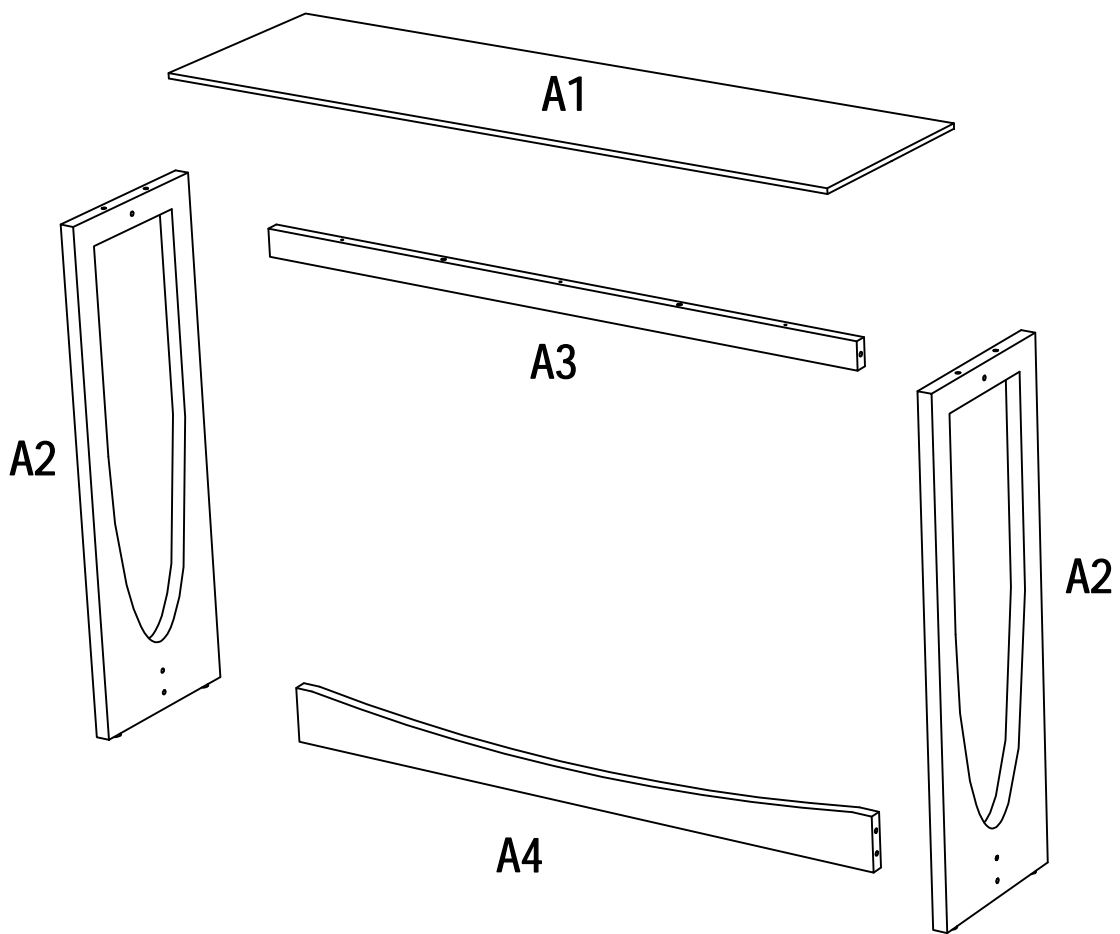


### NOTE TO CUSTOMERS:

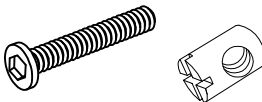

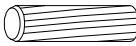
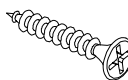

- For ease and speed of assemble we recommend that before you commence each step of the assembly that you identify all the parts required to complete that step.
- We recommend that where possible you allow sufficient space to assemble the item as close as possible to the place where it will be once assembled.
- For the protection of your furniture we recommend that the product is placed on protected surfaces during assembly to prevent any damage.
- During assembly do not over tighten, as this may damage the product.
- Please ensure you retain all the product packaging until the item completely assembled.
- Please periodically check all fittings and re-tighten as necessary.
- Please never allow any liquids to remain on your furniture as absorption can cause the wood to warp or the finish to de-laminate.
- It is recommended that this item should be assembled by two adults.

# Part List

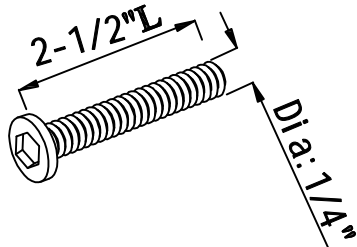
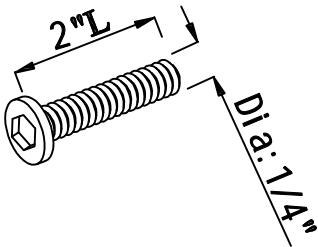
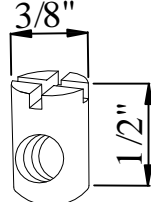
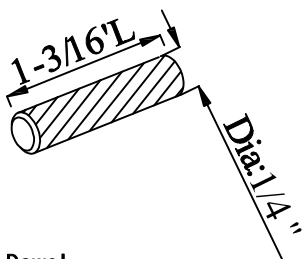
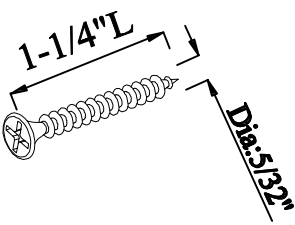
<p>A1. Qty:1</p>  <p>Top Panel</p>	<p>A2. Qty:2</p>  <p>Side Panel</p>	<p>A3. Qty:1</p>  <p>Apron</p>
<p>A4. Qty:1</p>  <p>Connect Bar</p>		



# Part List

<p>B1. 6SETS</p>  <p>Bolt with nut</p>	<p>B2. 4SETS</p>  <p>Bolt with washer</p>	<p>B3. 2PCS</p>  <p>Wood Dowel</p>	<p>B4. 3PCS</p>  <p>Screw</p>
			

## APPENDIX:Dimension of hardware in this AI.

<p>B1.</p>  <p>Screw</p>	<p>B2.</p>  <p>Screw</p>	<p>B1.</p>  <p>Screw</p>
<p>B3.</p>  <p>Wood Dowel</p>	<p>B4.</p>  <p>Screw</p>	

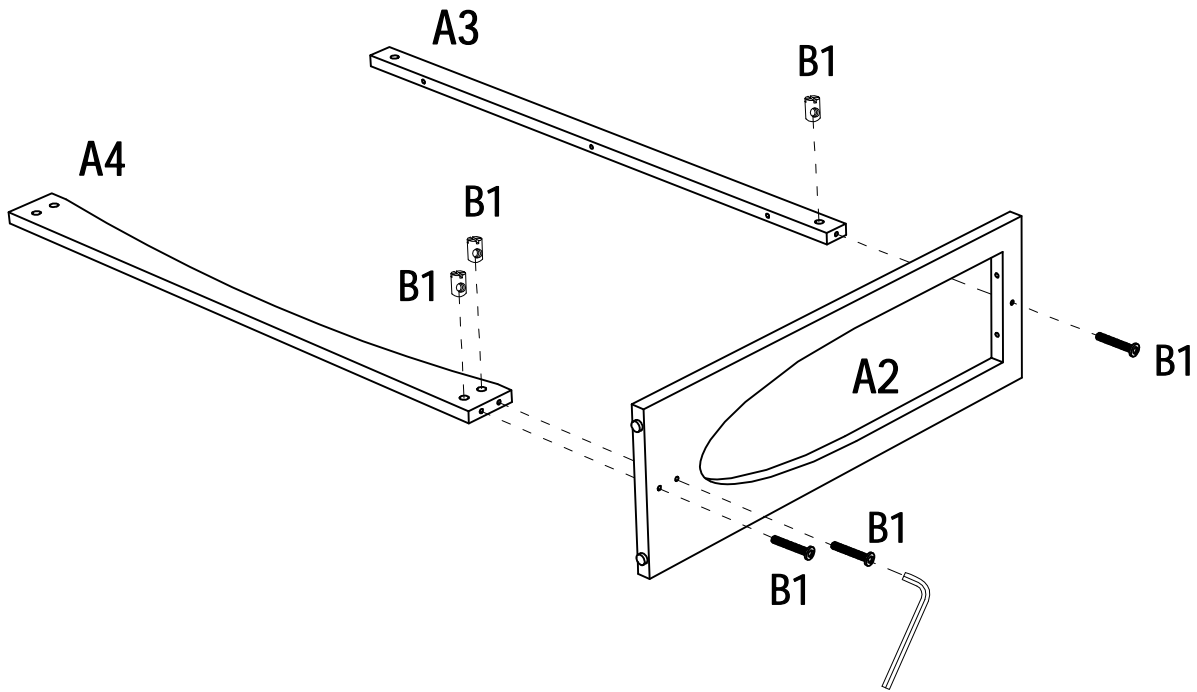
**Note:**

- Read these instructions carefully before assembling.
- Tool required: Philips screwdriver, flat screwdriver.
- Find a clean, smooth area on which to work, such as a carpet, in order to avoid scratching the wood surfaces.
- Wait dispose of the packing material until assembly is complete and all parts and hardware are accounted for.
- Two or more people might be required for assembly.

Step 1

# Assembly Instructions

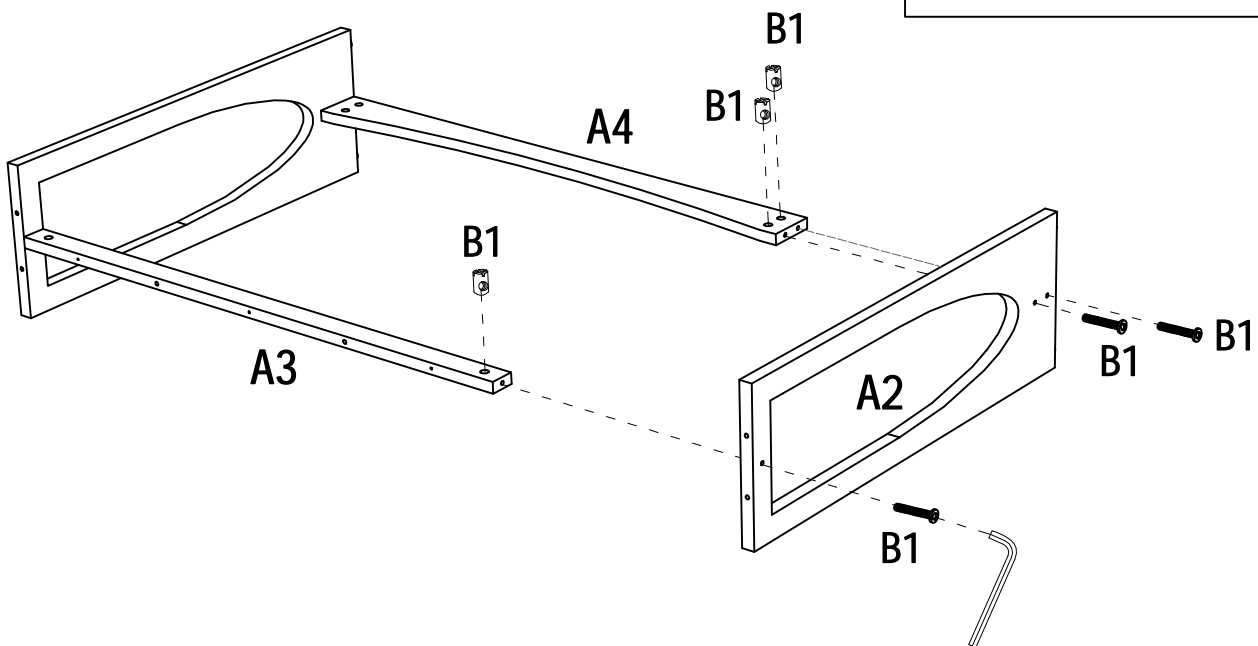
B1:  3SETS



Assemble Apron A3 & Connect Bar A4 to Side Frame A2 using Bolts with nuts B1 as shown above.

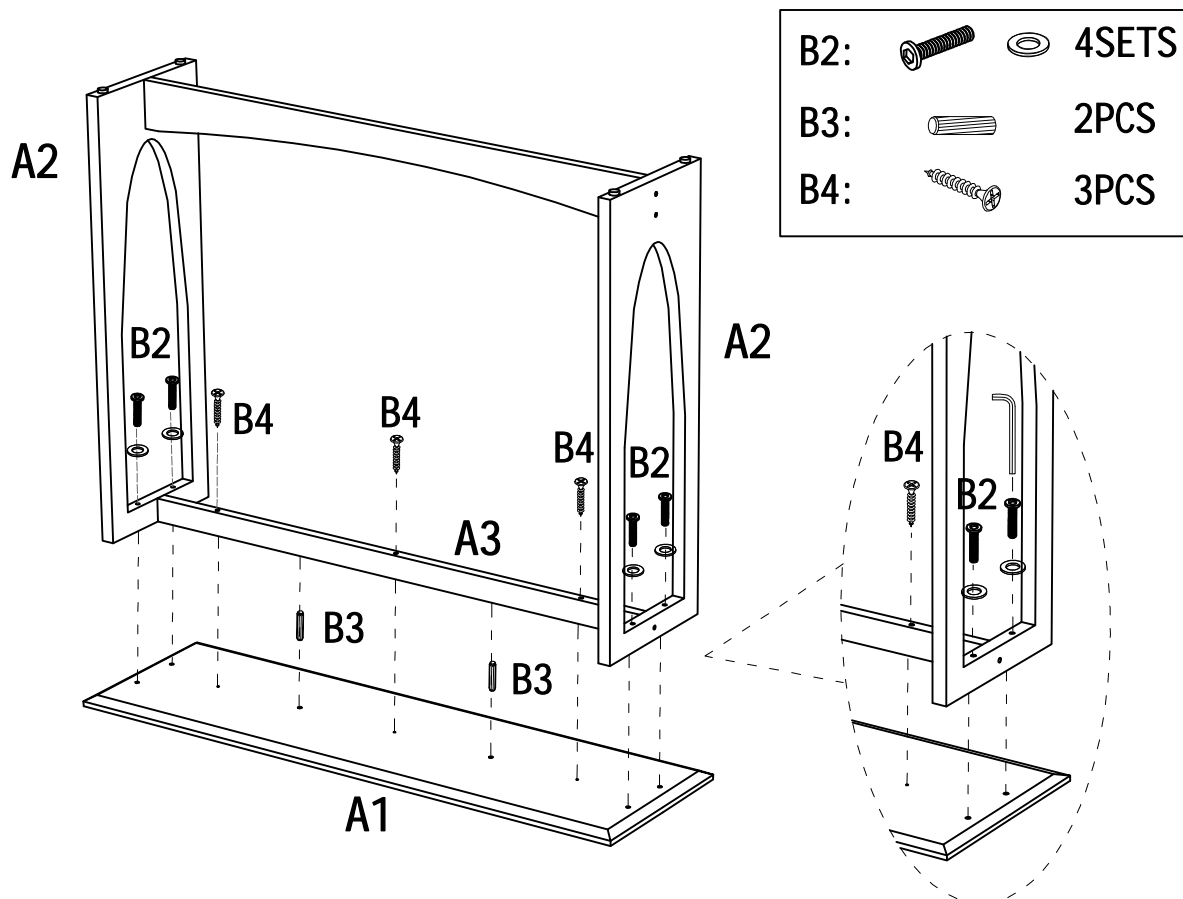
Step 2

B1:  3SETS



Assemble Apron A3 & Connect Bar A4 to Side Frame A2 using Bolts with nuts B1 as shown above.

### Step 3



Assemble Apron A3 and Side Frames A2 to the bottom of Top Panel A1 using Bolts with washers B2 and Wood Dowels B3 & Screws B4 as shown above.

### Step 4

