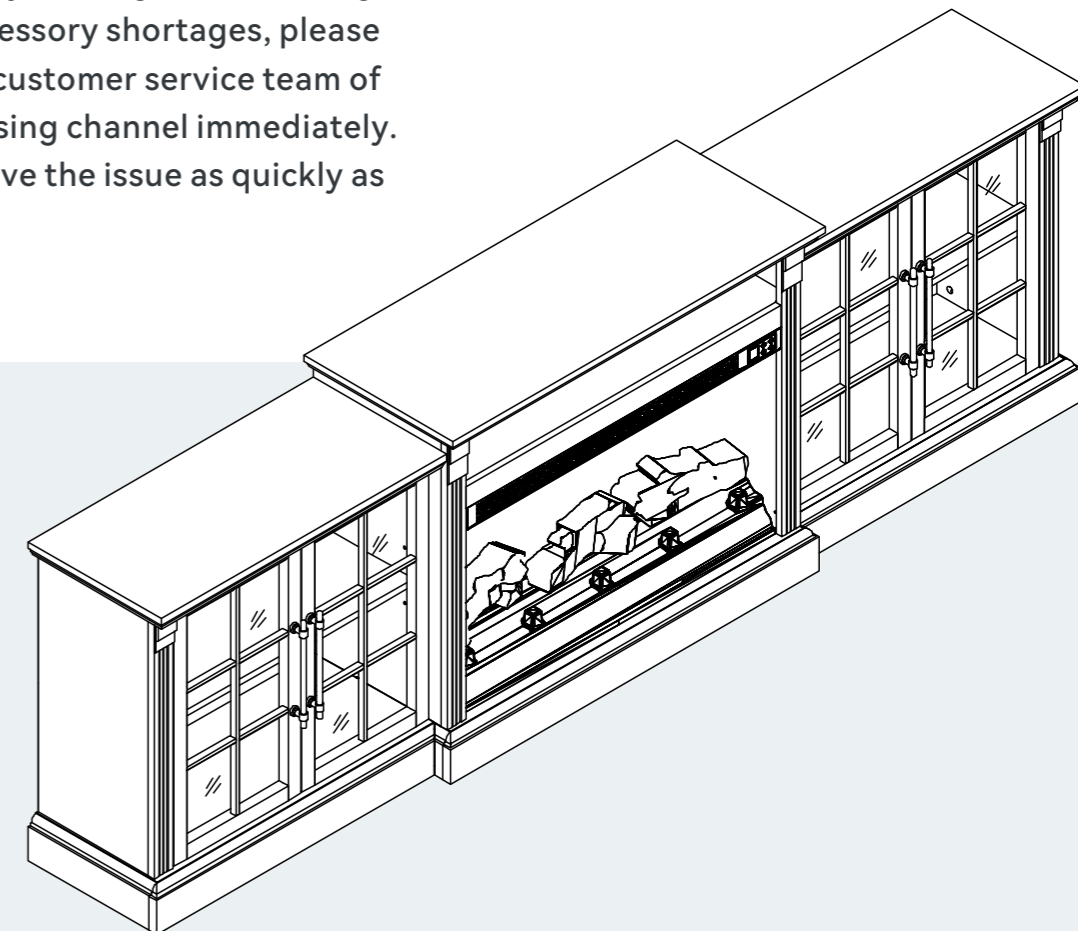


# TV Stand

Assembly Instruction – Please keep properly for future reference.

If you find any missing boxes, damaged parts, or accessory shortages, please contact the customer service team of your purchasing channel immediately. We will resolve the issue as quickly as possible.



## CONTACT US

In order to receive assistance more quickly, please provide

### **THE FOLLOWING INFORMATION:**

- Order number
- Purchase platform
- Purchase date
- Detailed description of the issue along with photos (if applicable)

**Important** – Please read these instructions carefully before starting the installation.

# |TV Stand

V1.1

EN

## Before Assembly



Thank you for choosing our product!

To ensure a smooth installation process, please read this guide carefully to familiarize yourself with the required tools, materials, and installation steps.

Follow the relevant sections to avoid any damage caused by improper installation, and make sure to review all operation and safety guidelines for correct installation procedures.

### Packaging Notice:

#### 1. Multi-Box Shipping Notice

This product is packaged in 2 separate boxes for shipping and may arrive in batches at different times. To ensure a smooth assembly process, please make sure all boxes are received before unpacking and starting the installation.

#### 2. Box and Packaging Verification

Each box is labeled with a corresponding number. Please refer to the packing list on the next page of this manual to verify that all boxes have been received.

If you find any missing boxes, damaged parts, or accessory shortages, please contact the customer service team of your purchasing channel immediately. We will resolve the issue as quickly as possible.

## Safety and Care Advice



### Important :

Please read these instructions fully before starting assembly.

- Check you have all the components and tools listed on the following pages.
- Remove all fittings from the plastic bags and separate them into their groups.
- Keep children and animals away from the work area, small parts could choke if swallowed.
- Make sure you have enough space to layout the parts before starting.
- During assembly do not stand or put weight on the product, this could cause damage.

- Assemble the item as close to its final position (in the same room) as possible.
- Assemble on a soft level surface to avoid damaging the unit or your floor.
- Parts of the assembly will be easier with 2 people.



- To reduce the likelihood of damaging your product please ensure that your power drill is set on a low torque setting.

### Care and Maintenance

- Only clean using a damp cloth and mild detergent, do not use bleach or abrasive cleaners.
- From time to time check that there are no loose screws on this unit.
- This product should not be discarded with household waste. Take to your local authority waste disposal center.

### Handy Hints

- Assemble all parts and bolts loosely during assembly, only once the product is complete should you fully tighten the bolts.
- Regularly check and ensure that all bolts and fittings are tightened properly.

### Warning

In order to help prevent overturning, please follow these instructions.

- Use the anti tip strap or wall fixing method provided (if applicable).
- Do not allow children to climb or hang on the furniture.
- Do not open more than one drawer at a time.
- Do not place heavy items in the top drawers.
- Do not place heavy items on top of the furniture, unless the furniture has been designed for this purpose.
- Please note that only the anti tip strap is provided. You will need to provide wall plugs and screws applicable for your wall type.

# Customer Service Guide



Thank you for choosing our product! We are committed to providing you with excellent service. If you find any missing parts, damaged packaging, or product damage after receiving all packages, please follow the steps below to quickly contact our customer service team. We will do our best to resolve your issue.

## 1. Missing Parts

### Verify Parts:

1. Refer to the “Parts List” in the manual to verify the name, specifications, and quantity of the missing parts.
2. Take a clear photo of the parts list and mark the missing parts with detailed information, e.g., “Missing 5 pieces of M6×30mm screws.”

### Contact Us:

#### By Email:

Send an email to us, with the subject line “Missing Parts Issue.” Include the following in the email:

- A description of the missing parts and a photo of the parts list.
- Order details (order number, purchase platform, purchase date).

## 2. Product or Packaging Damage

### If it affects normal use:

#### Steps:

1. Take clear photos or videos showing the damaged parts and the extent of the damage (multi-angle shots are recommended).
2. Email the photos/videos along with order details to our email, with the subject line “Product Damage Issue.”

#### Resolution:

After verification, we will arrange for a replacement part, product exchange, or refund as quickly as possible.

### If it does not affect normal use:

#### Steps:

1. Contact our customer service team (by email).
2. Provide a description of the damage and include relevant photos or videos.

#### Resolution:

We will provide repair guidance or an appropriate compensation plan based on the specific situation.

### Contact Us:

Customer Service Email

## Helpful Tips

### To process your issue efficiently, please prepare the following information:

- Order details (order number, purchase platform, purchase date).
- Clear photos or videos.
- We are committed to providing quick and professional solutions, no matter the size of the issue, to ensure your satisfaction.

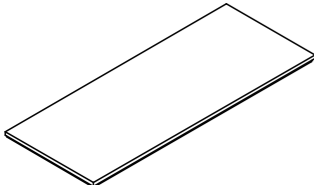
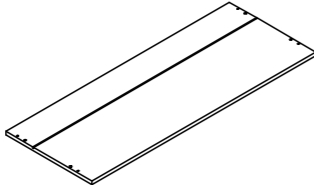
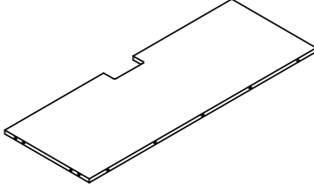
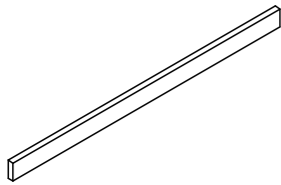
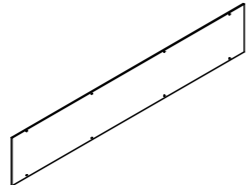
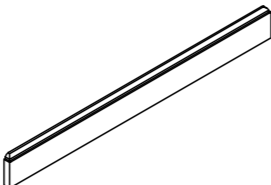
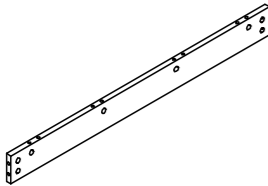
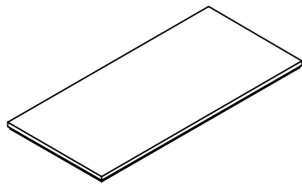
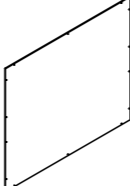
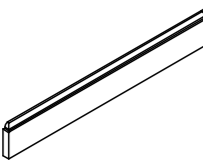
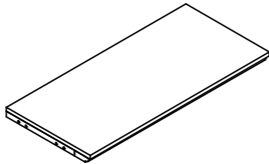
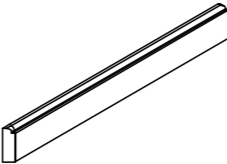
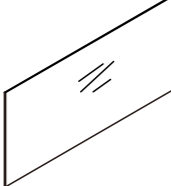
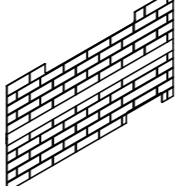

**Thank you for your trust and support!**  
**We hope you enjoy using our product!**

# Parts List - Panels


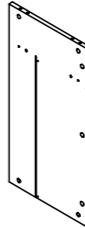
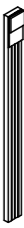

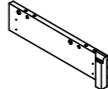
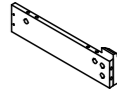
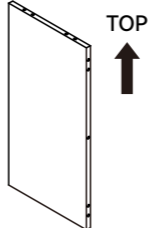

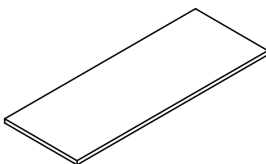
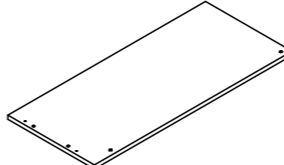
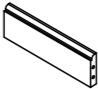
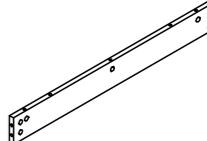
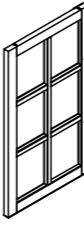

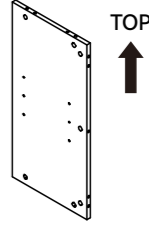


Please check you have all the panels listed below.

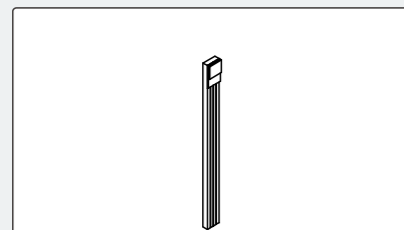
## Box 1

		
<b>1</b> 996*398*35mm x1	<b>2</b> 945*365*14mm x1	<b>3</b> 917*341*14mm x1
		
<b>4</b> 845*50*15mm x1	<b>5</b> 917*164*3mm x1	<b>6</b> 989*100*21mm x1
		
<b>7</b> 915*86*15mm x1	<b>8</b> 76*355*35mm x1	<b>9</b> 744*318*3mm x2
		
<b>10</b> 758*100*21mm x1	<b>11</b> 76*355*35mm x1	<b>12</b> 758*100*21mm x1
		
<b>13</b> 903*436*4mm x1	<b>14</b> 925*510*3mm x1	<b>15</b> 221*518*3mm x2

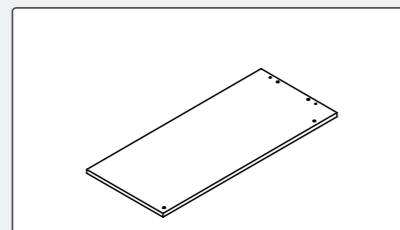
## Box 2

		
<b>16</b> 664*341*14mm x1	<b>17</b> 664*341*14mm x1	<b>18</b> 664*50*25mm x1
		
<b>19</b> 664*50*25mm x1	<b>20</b> 365*100*36mm x1	<b>21</b> 365*100*36mm x1
		
<b>22</b> 60*295*14mm x1	<b>23</b> 600*50*28mm x1	<b>24</b> 711*270*14mm x2
		
<b>25</b> 736*322*14mm x1	<b>26</b> 322*100*21mm x1	<b>27</b> 736*86*15mm x1
		
<b>28</b> 594*336*18mm x2	<b>29</b> 594*336*18mm x2	<b>30</b> 60*295*14mm x1

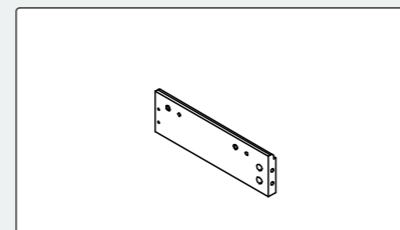
## Box 2 continues



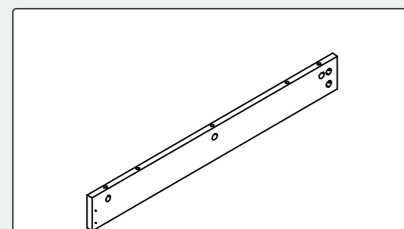
**31** 600\*50\*28mm x1



**32** 736\*322\*14mm x1



**33** 322\*100\*21mm x1



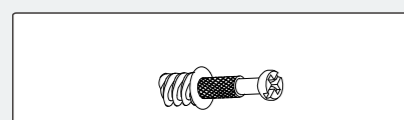
**34** 736\*86\*15mm x1

## Parts List - Fittings (in Box 2)

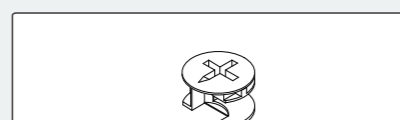


Please check you have all the fittings listed below.

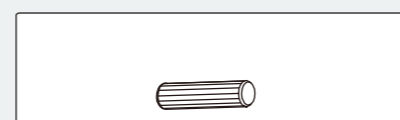
**Note:** The quantities below are the correct amount to complete the assembly. In some cases more fittings may be supplied are required.



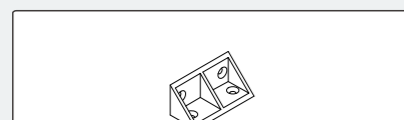
**A** Ø7x35mm x69



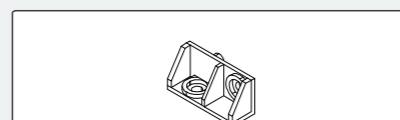
**B** Ø15x9mm x69



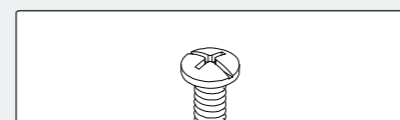
**C** Ø8x30mm x46



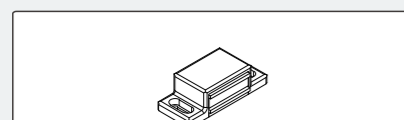
**D** Plastic connector x4



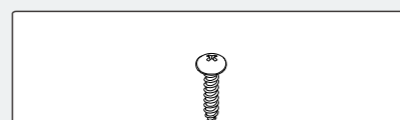
**E** Connector x18



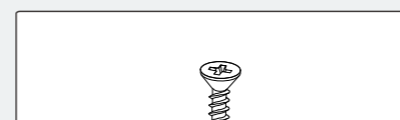
**F** Ø1/4x12mm x36



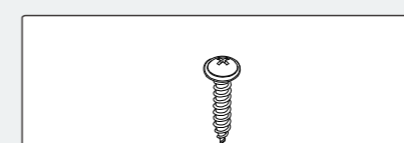
**G** Magic catch x4



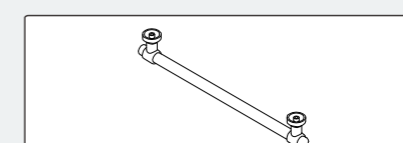
**H** Ø3x14mm x24



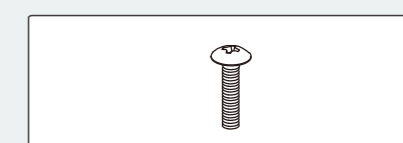
**I** Ø3.5x12mm x24



**J** Ø3.5x14mm x36



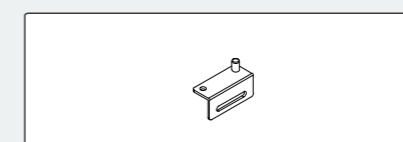
**K** Handle x4



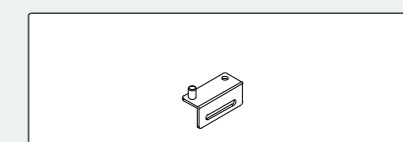
**L** Ø5/32x22mm x8



**M** Door shaft support x8



**N** Pivot hinge x4



**O** Pivot hinge x4



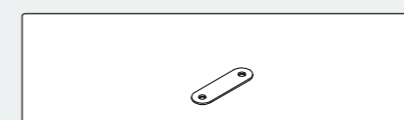
**P** Shelf support x8



**Q** Beauty patch x28



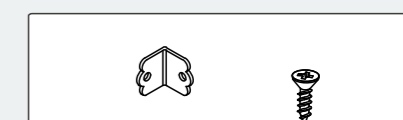
**R** Ø4x12mm x14



**S** Sheet iron x4



**T** Wall mounting kit x1



**U** L-bracket x2

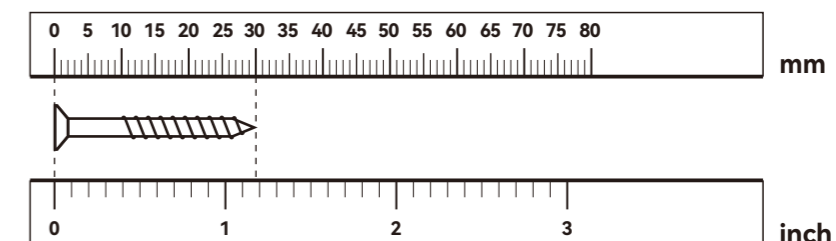
### Tools required



Phillips screwdriver  
(medium & large)

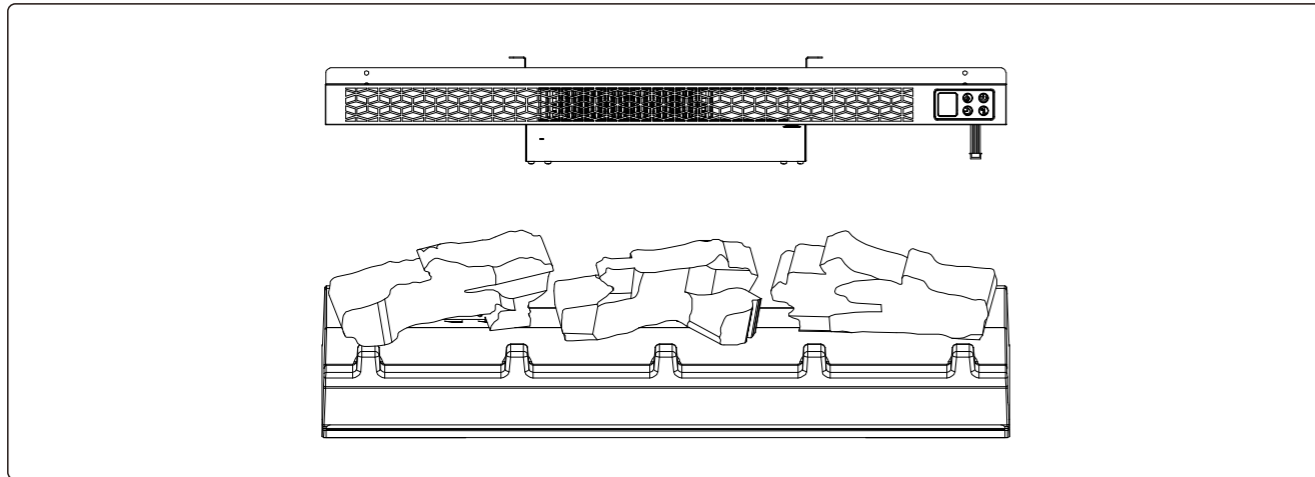
### Ruler

Use this ruler to help correctly identify the screws

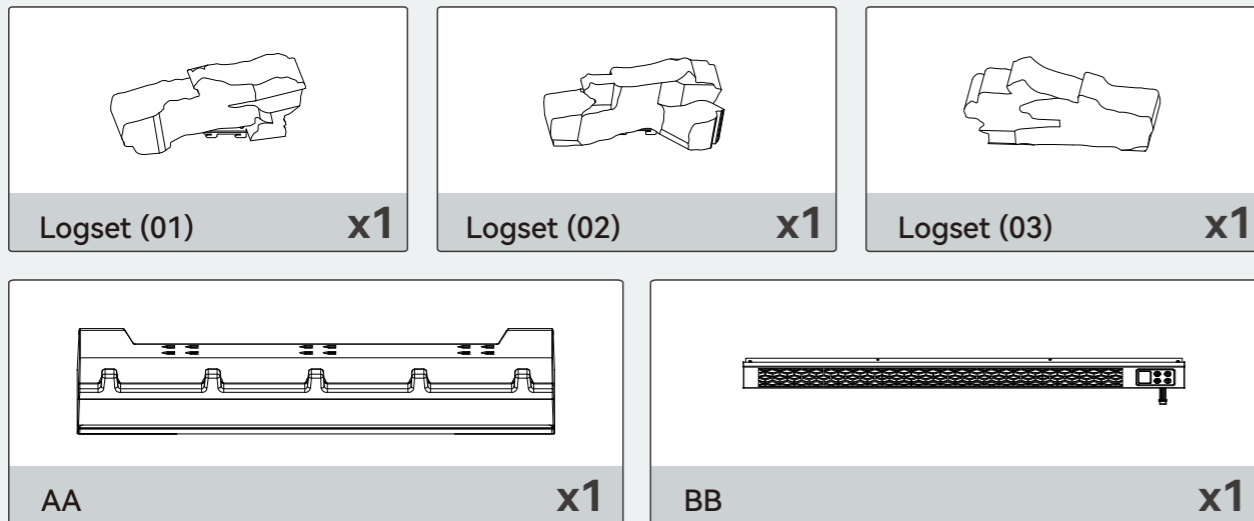


The screws length is measured from the head to the point (30mm screw shown).

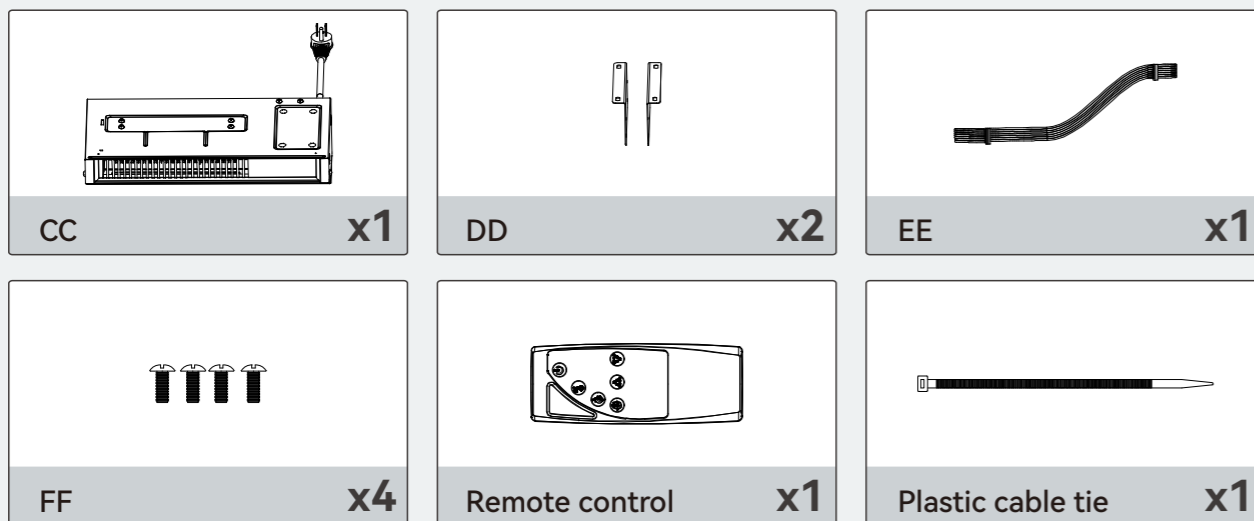
# Parts List - Fireplace



## Box 1



## Box 2

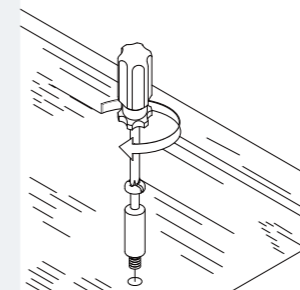


# Using Camlocks

## Step 1

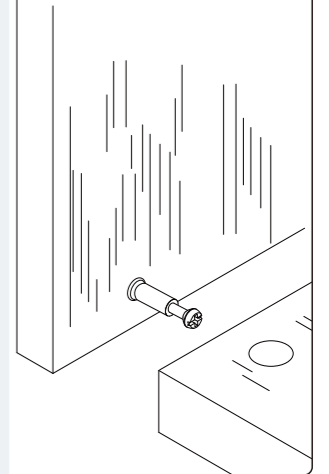
Connect the male camlock as directed in the assembly instructions using a screwdriver.

**DO NOT OVER TIGHTEN.**



## Step 2

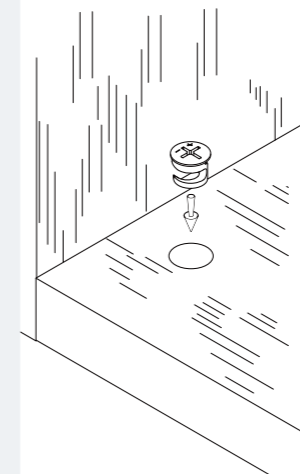
Push the male camlock into the entry hole.



## Step 3

Insert the female camlock as shown in the instructions.

**Note: ensure that the arrow on the top of the camlock points towards the entry hole for the male camlock.**

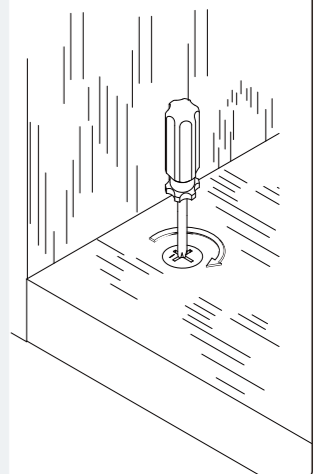


## Step 4

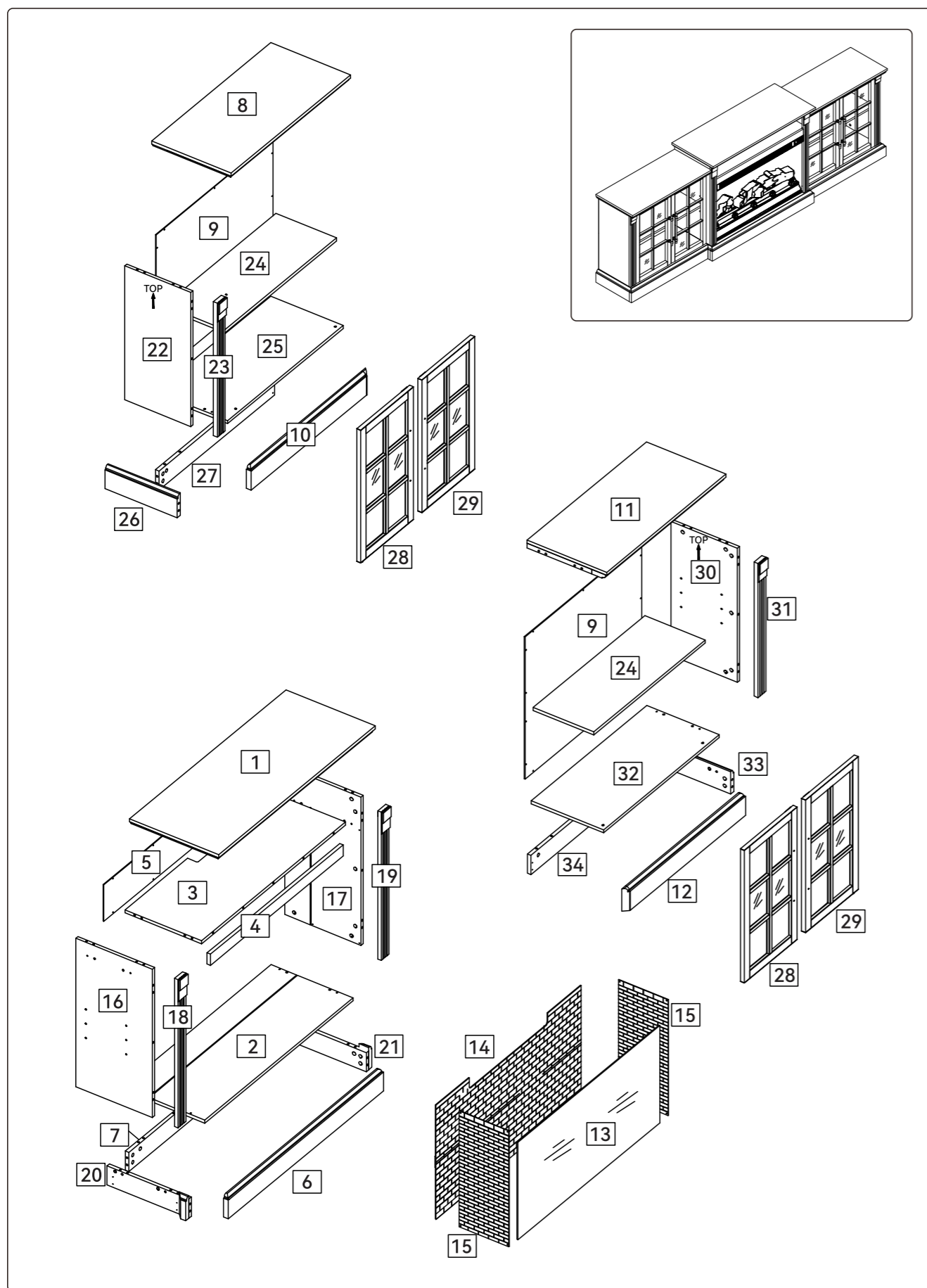
Turn the female camlock clockwise with a screwdriver.

You should feel a click when the camlock is locked in place.


The joint is now secure.

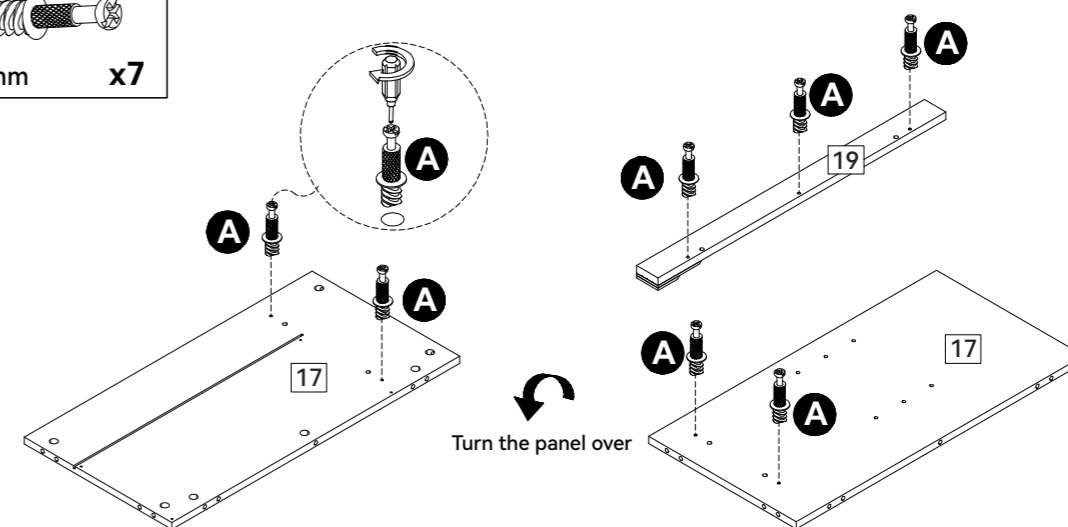


# Assembly Instructions



## Step 1

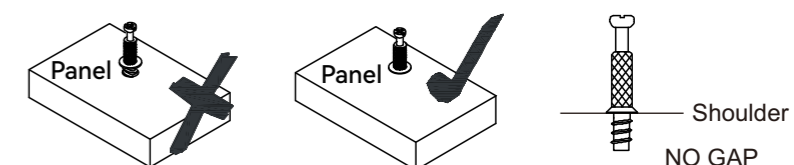
**A**   
 Ø7x35mm x7



Turn the panel over

### CAM-LOCK


Tighten until shoulder is flush with panel. Do not overtighten or undertighten (see example)



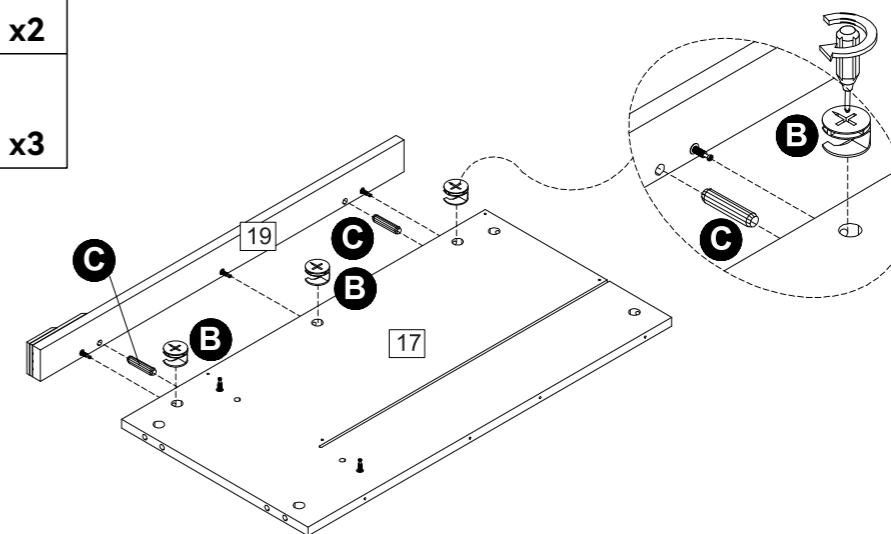
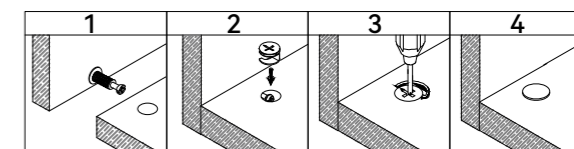
Insert A into panels (17, 19).

## Step 2

**B**   
 Ø15x9mm x3

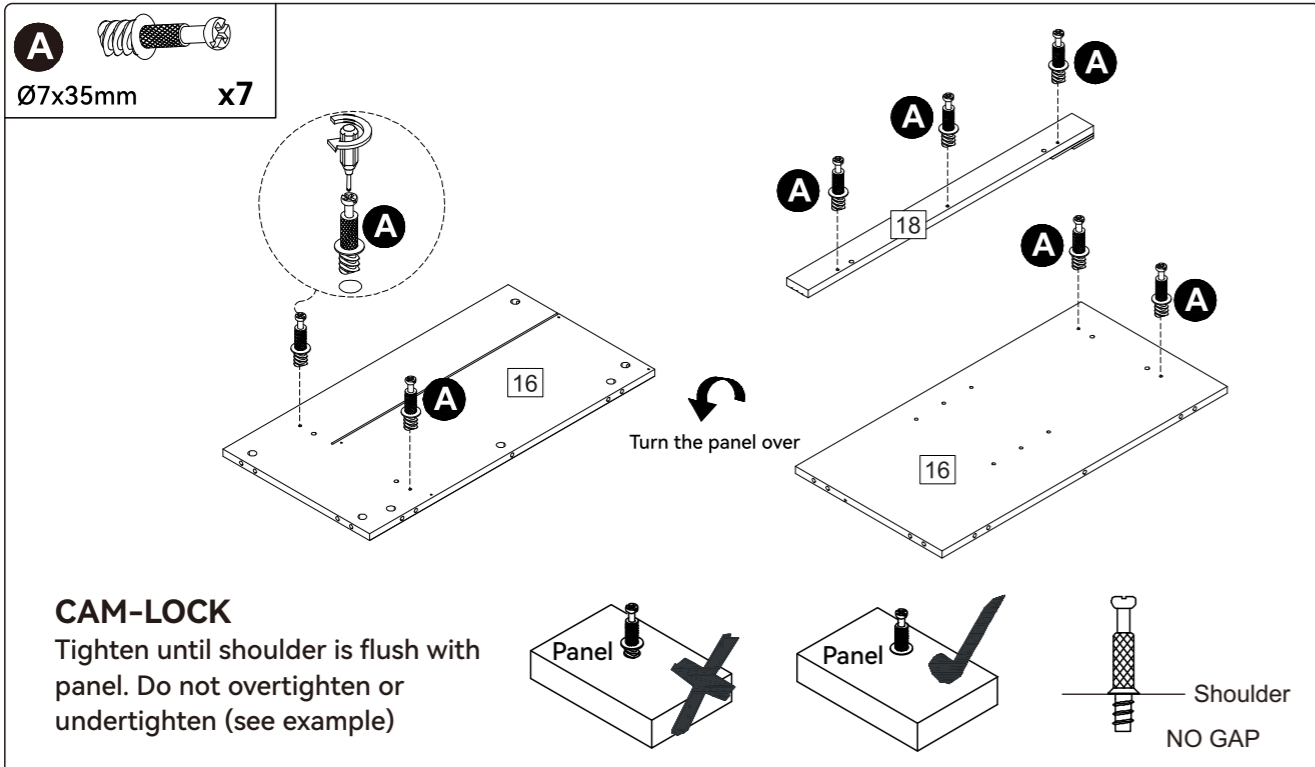
**C**   
 Ø8x30mm x2

**Q**   
 Beauty patch x3



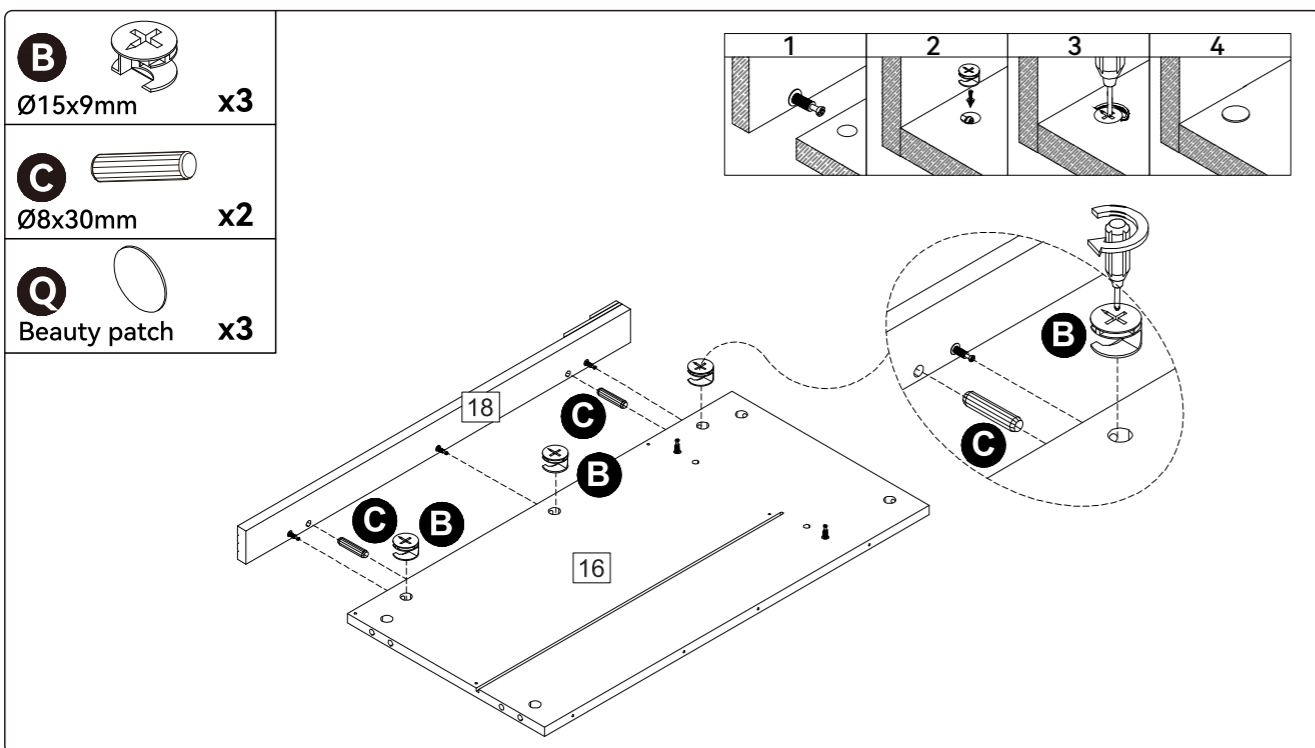
Insert C into panel (17). Install panel (19) onto panel (17). Insert B into panel (17) and secure it.

## Step 3



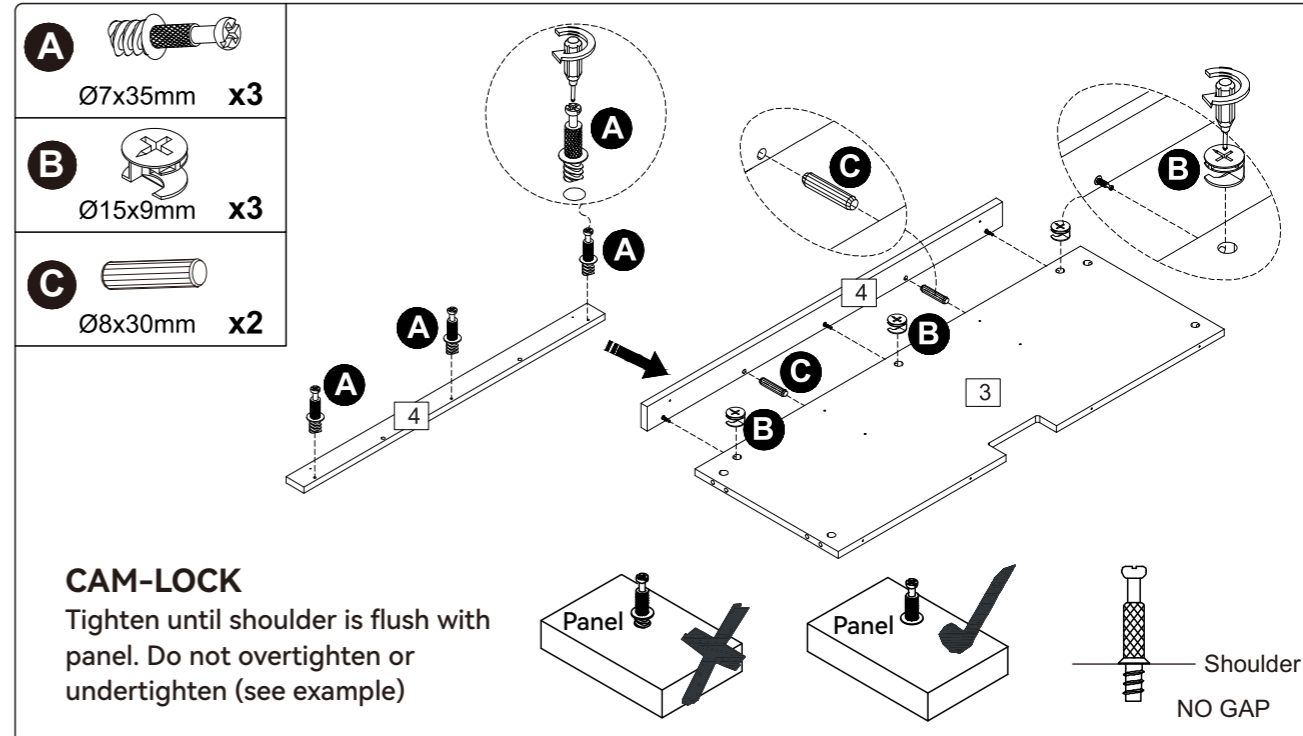
Insert A into panels (16, 18).

## Step 4



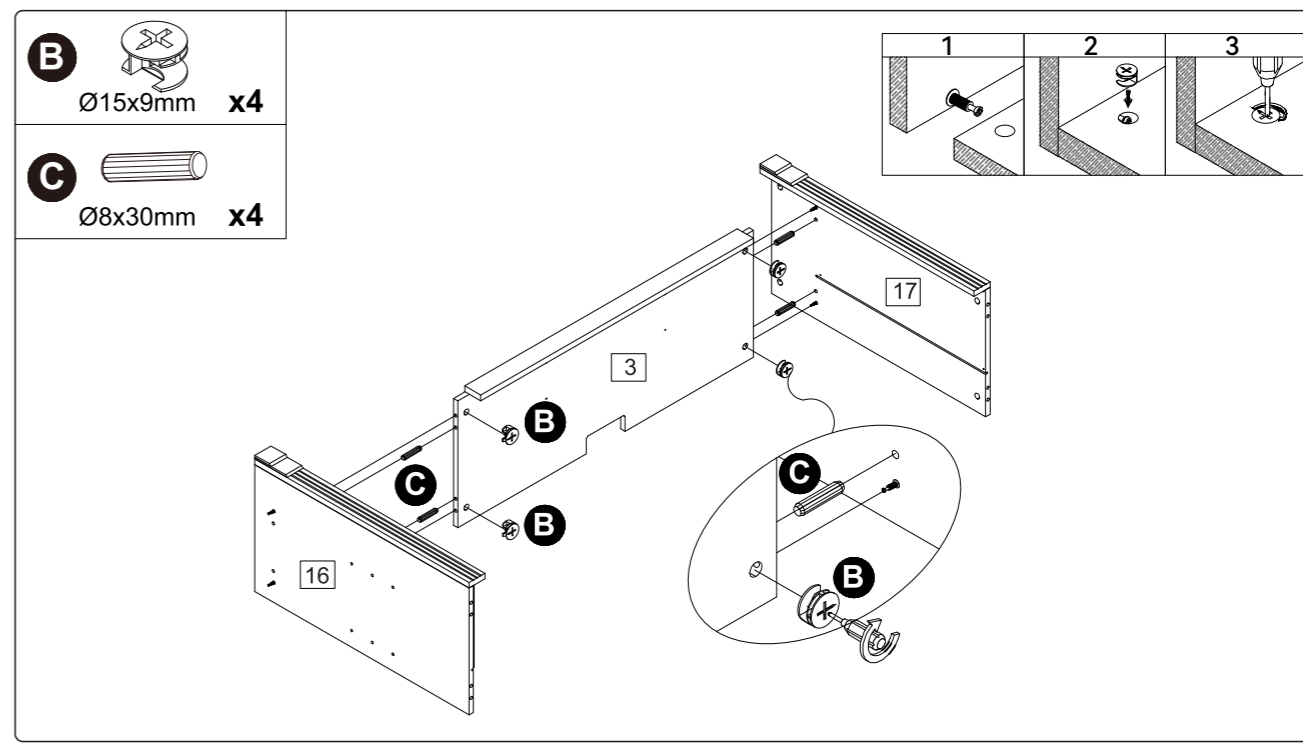
Insert C into panel (16). Install panel (18) onto panel (16). Insert B into panel (16) and secure it.

## Step 5



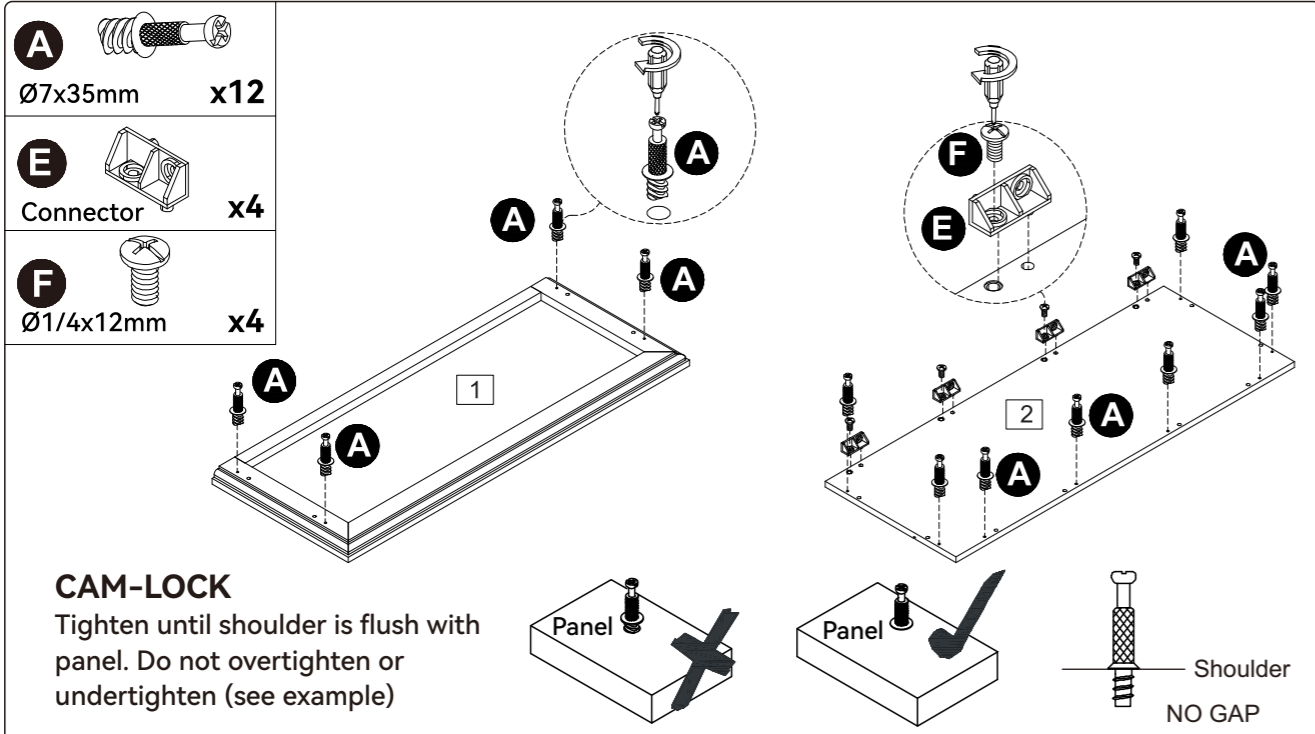
Insert A into panel (4). Insert C into panel (3). Install panel (4) onto panel (3). Insert B into panel (3) and secure it.

## Step 6



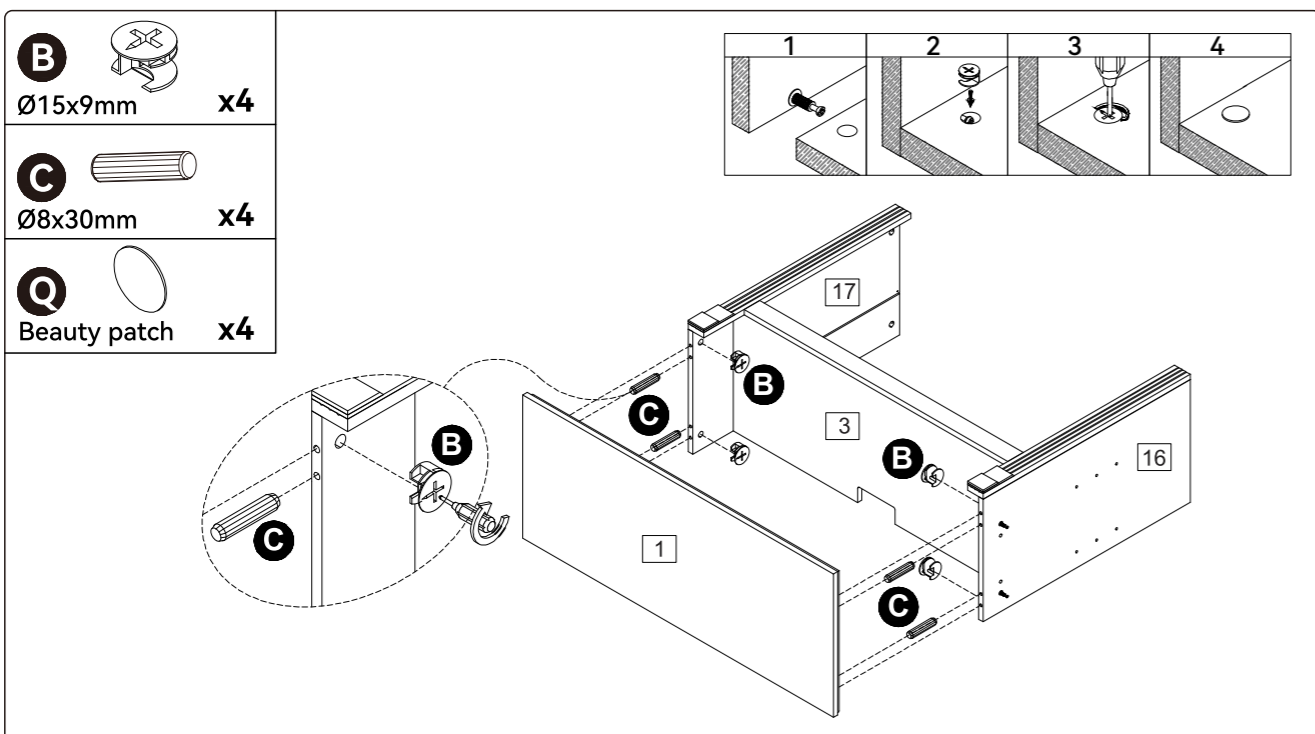
Insert C into panel (3). Install panel (3) onto panels (16, 17). Insert B into panel (3) and secure it.

## Step 7



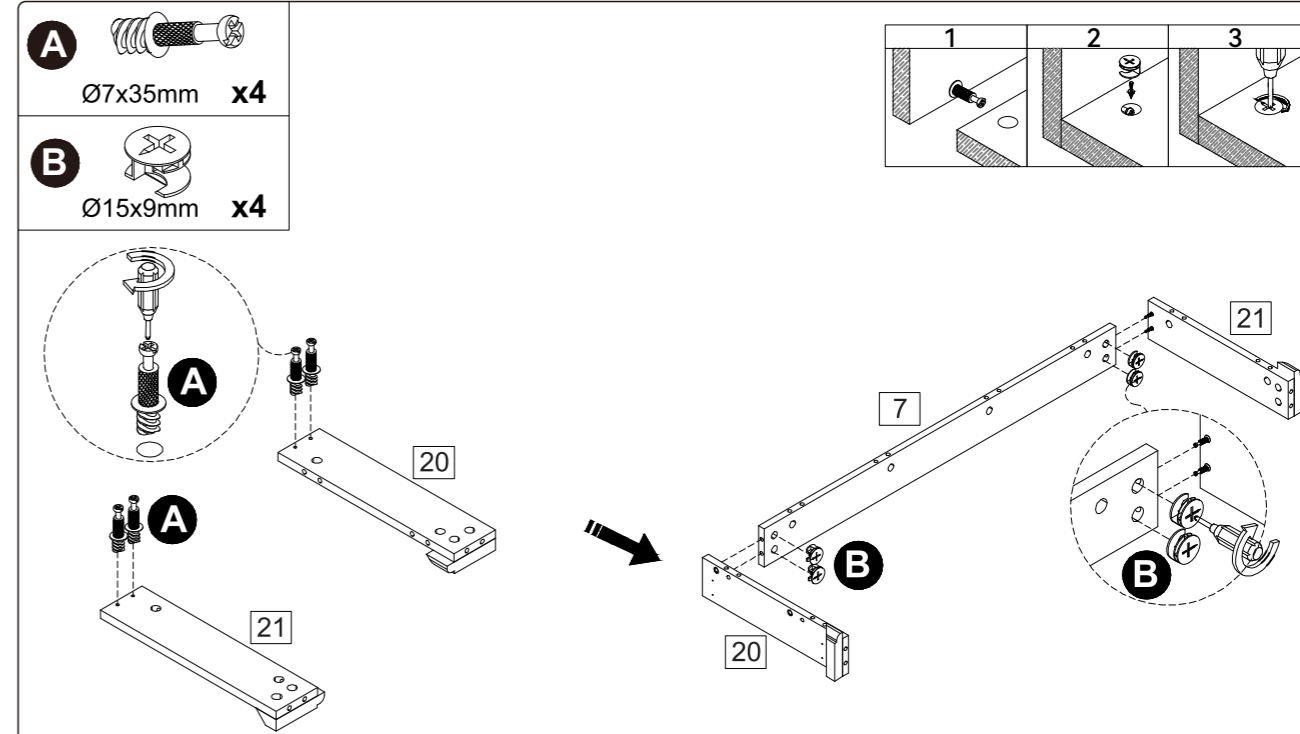
Insert A into panels (1, 2). Install E onto panel (2), securing it with screw F passing through E.

## Step 8



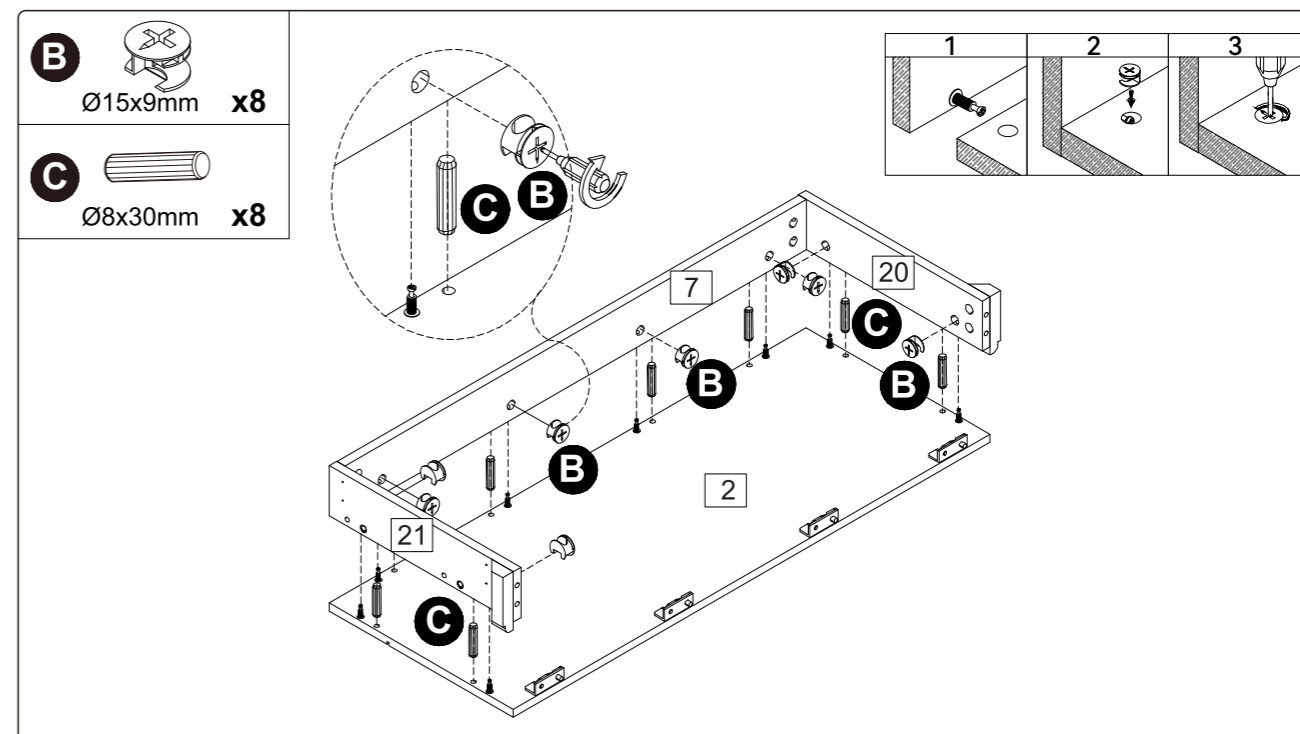
Insert C into panels (16, 17). Install panel (1) onto panels (16, 17). Insert B into panels (16, 17) and secure it.

## Step 9






Insert A into panels (20, 21). Install panels (20, 21) onto panel (7). Insert B into panel (7) and secure it.

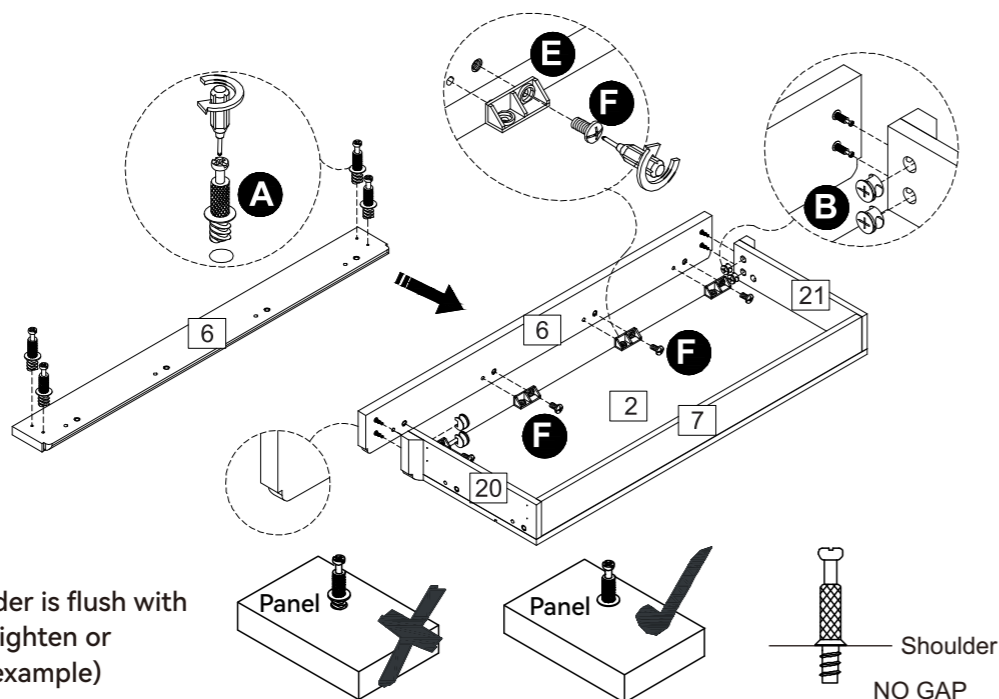
## Step 10



Insert C into panels (20, 21, 7). Install panels (20, 21, 7) onto panel (2). Insert B into panels (20, 21, 7) and secure it.


## Step 11

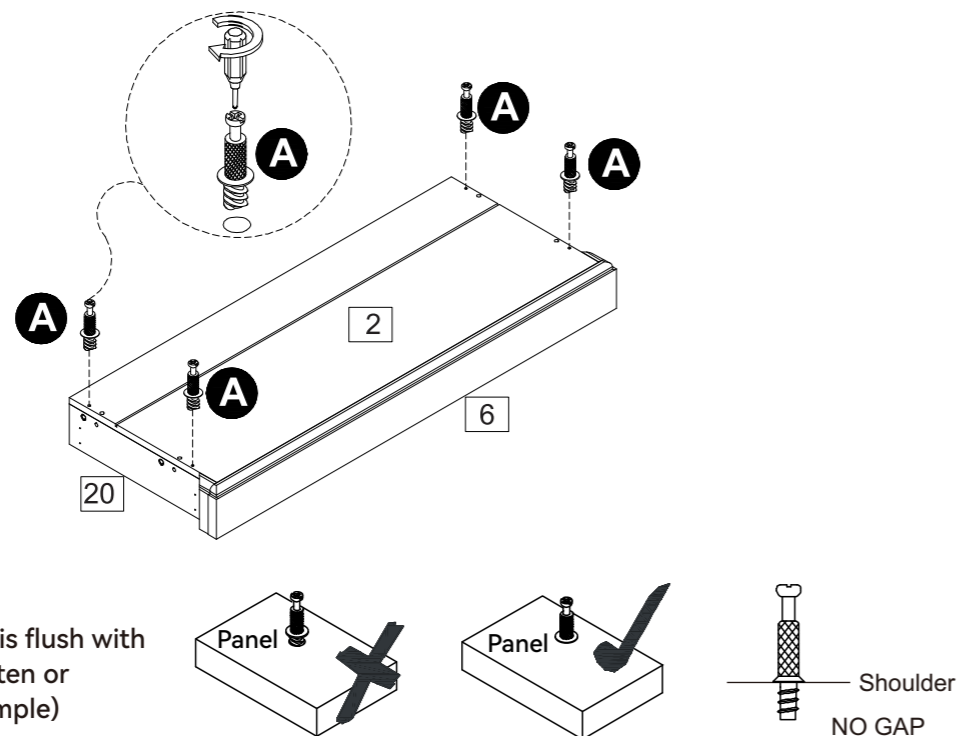
- A**   $\varnothing 7 \times 35 \text{mm}$  x4
- F**   $\varnothing 1/4 \times 12 \text{mm}$  x4
- B**   $\varnothing 15 \times 9 \text{mm}$  x4



Insert A into panel (6). Install panel (6) onto panels (20, 21). Insert B into panels (20, 21) and secure it. Pass screw F through E and connect it to panel 6 securely.




## Step 12

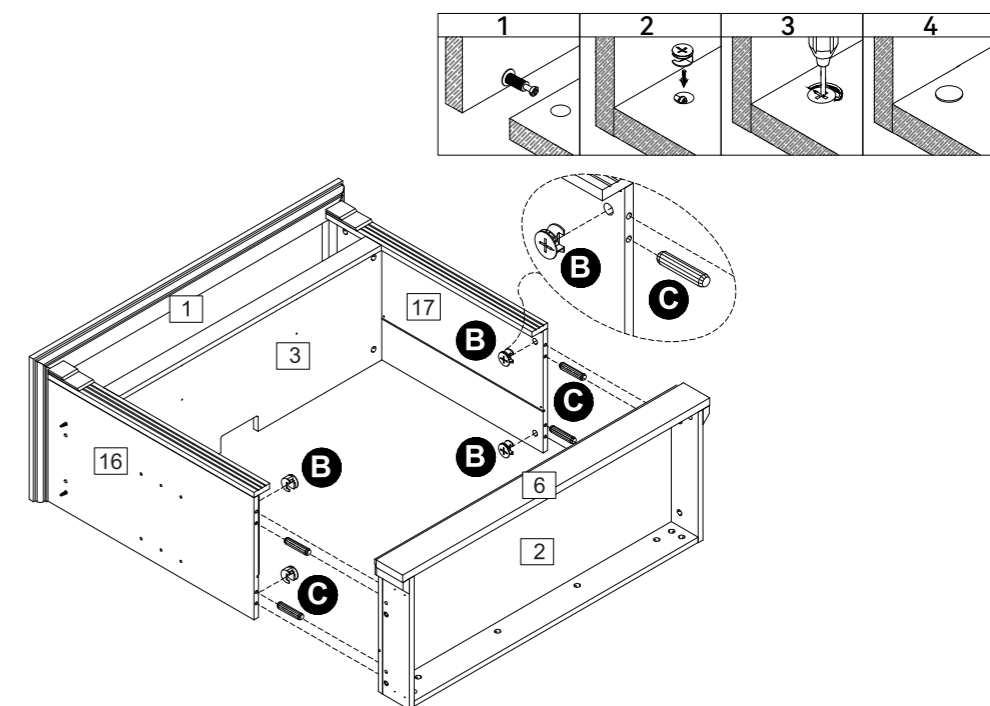
- A**   $\varnothing 7 \times 35 \text{mm}$  x4



Insert A into panel (2).



## Step 13

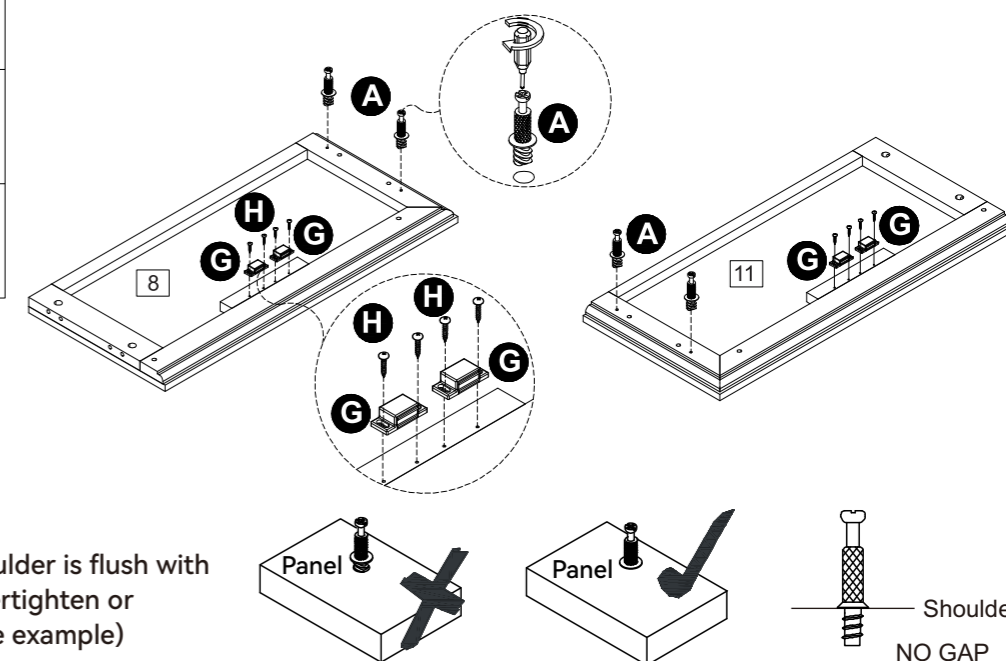
- B**   $\varnothing 15 \times 9 \text{mm}$  x4
- C**   $\varnothing 8 \times 30 \text{mm}$  x4
- Q**  Beauty patch x4



Insert C into panels (16, 17). Install panel (2) onto panels (16, 17). Insert B into panels (16, 17) and secure it.

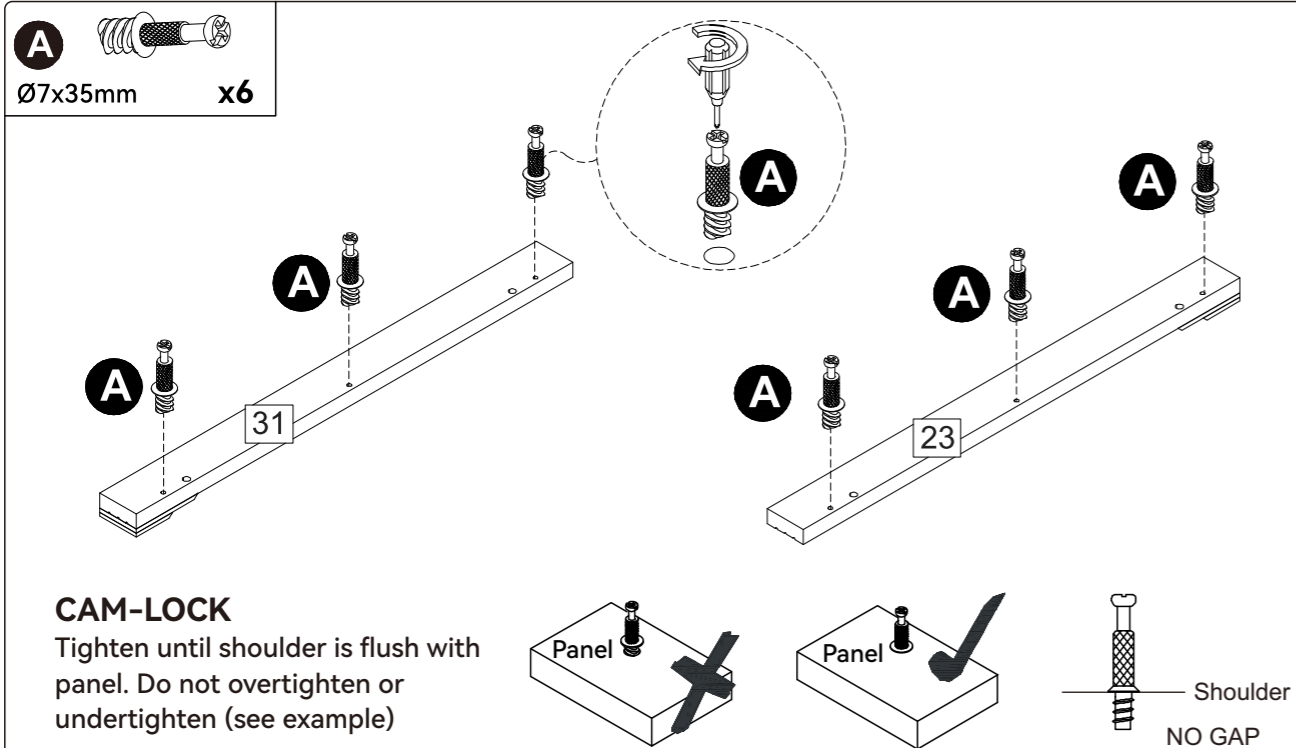
## Step 14

- A**   $\varnothing 7 \times 35 \text{mm}$  x4
- G**  Magic catch x4
- H**   $\varnothing 3 \times 14 \text{mm}$  x8



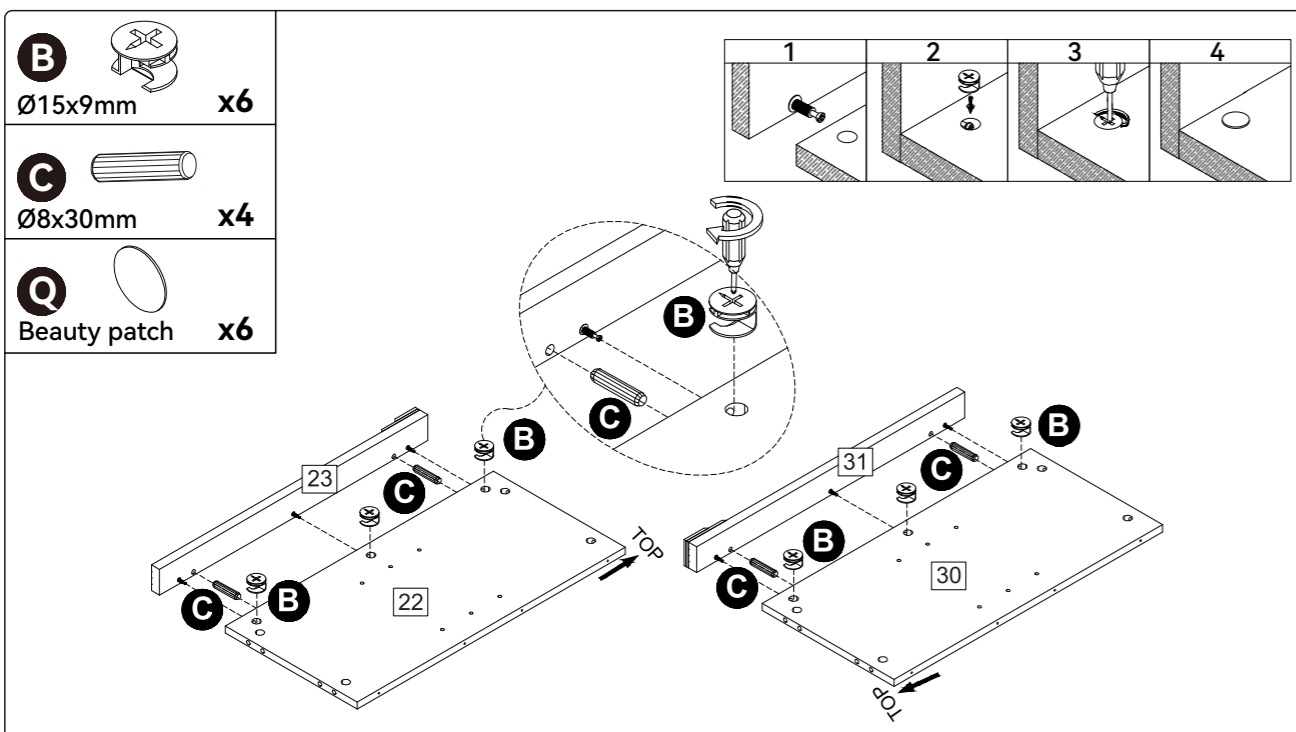
Insert A into panels (8, 11). Install G onto panels (8, 11) and secure it with H passing through G.

## Step 15



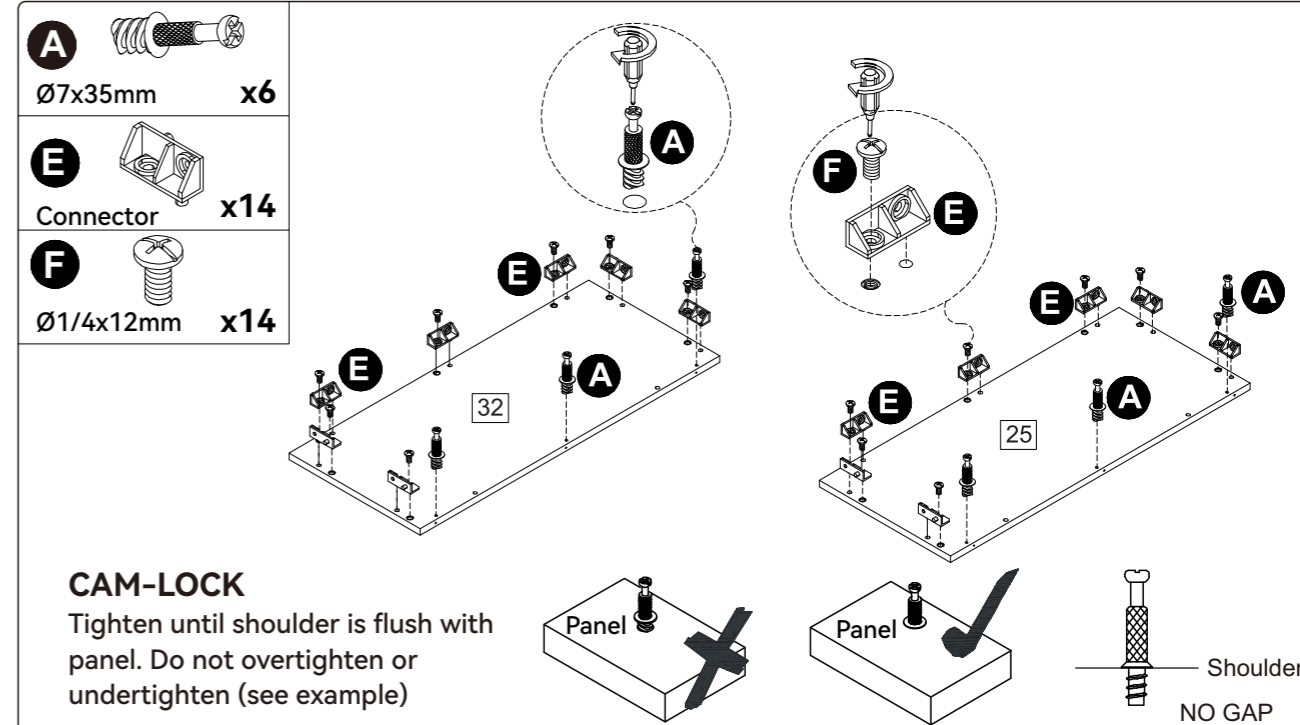
Insert A into panels (31, 23).

## Step 16



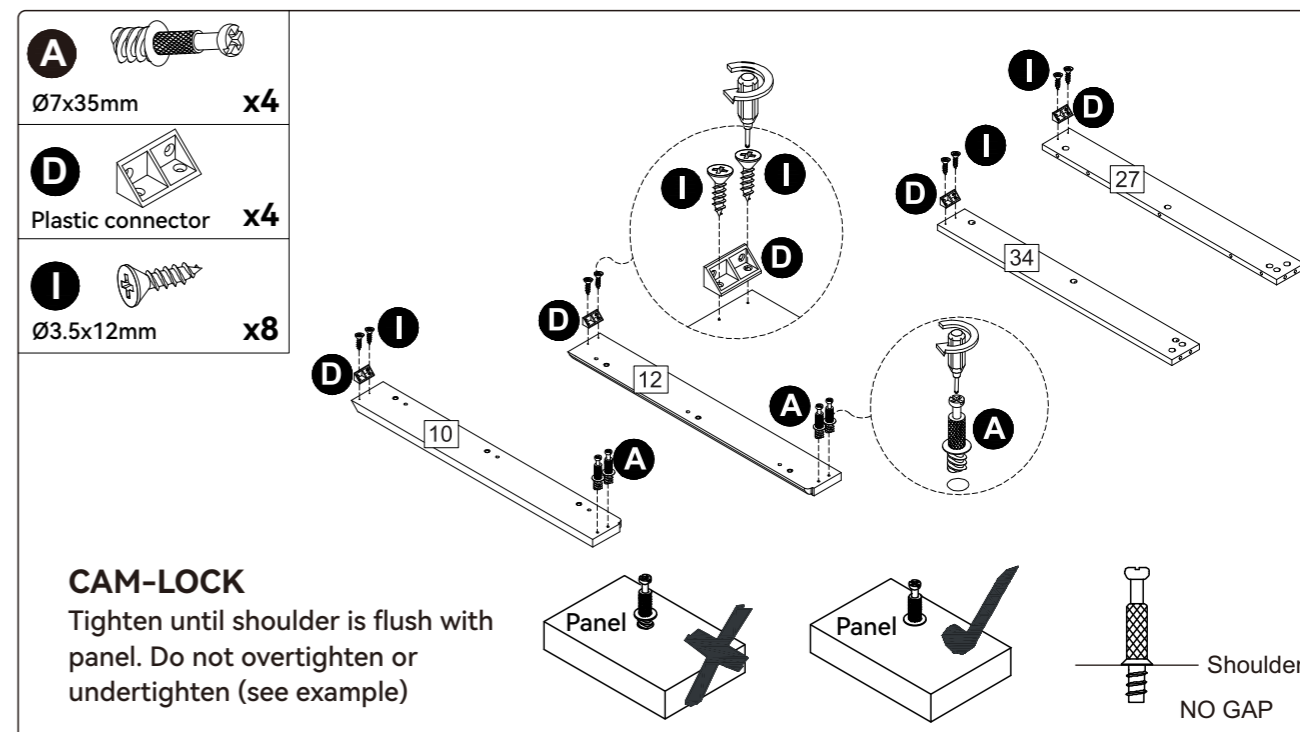
Insert C into panel (17). Install panel (19) onto panel (17). Insert B into panel (17) and secure it.

## Step 17



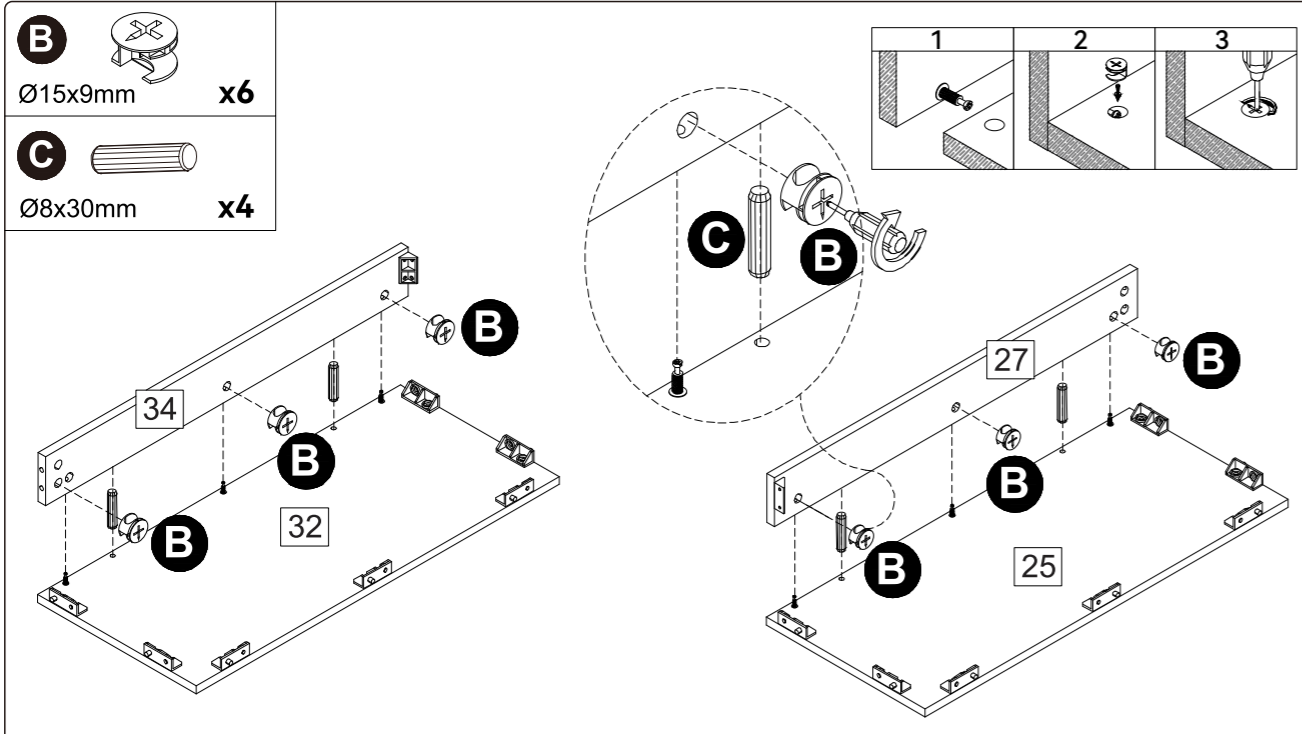
Insert A into panels (32, 25). Install E onto panels (32, 25), securing it with screw F passing through E.

## Step 18



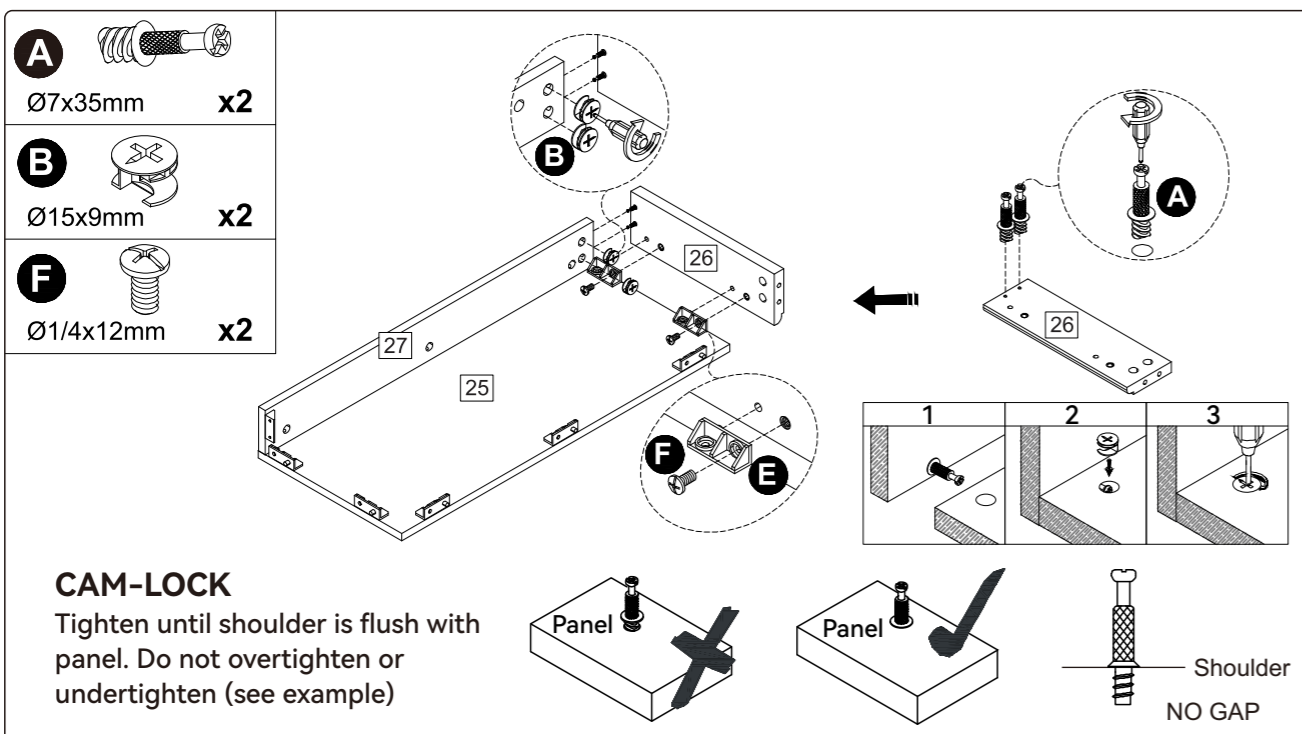
Insert A into panels (10, 12). Install D onto panels (10, 12, 34, 27), securing it with screw I passing through D.

## Step 19



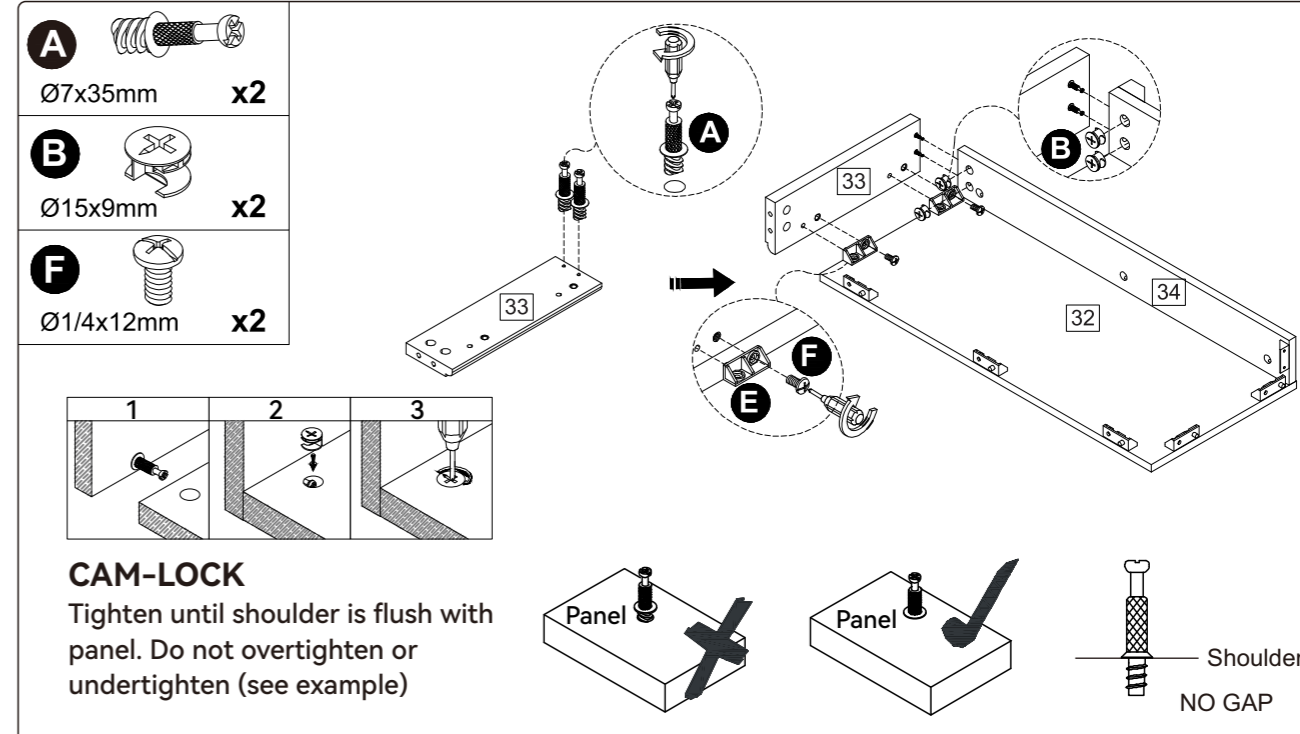
Insert C into panels (34, 27). Install panels (34, 27) onto panels (32, 25). Insert B into panels (34, 27) and secure it.

## Step 20



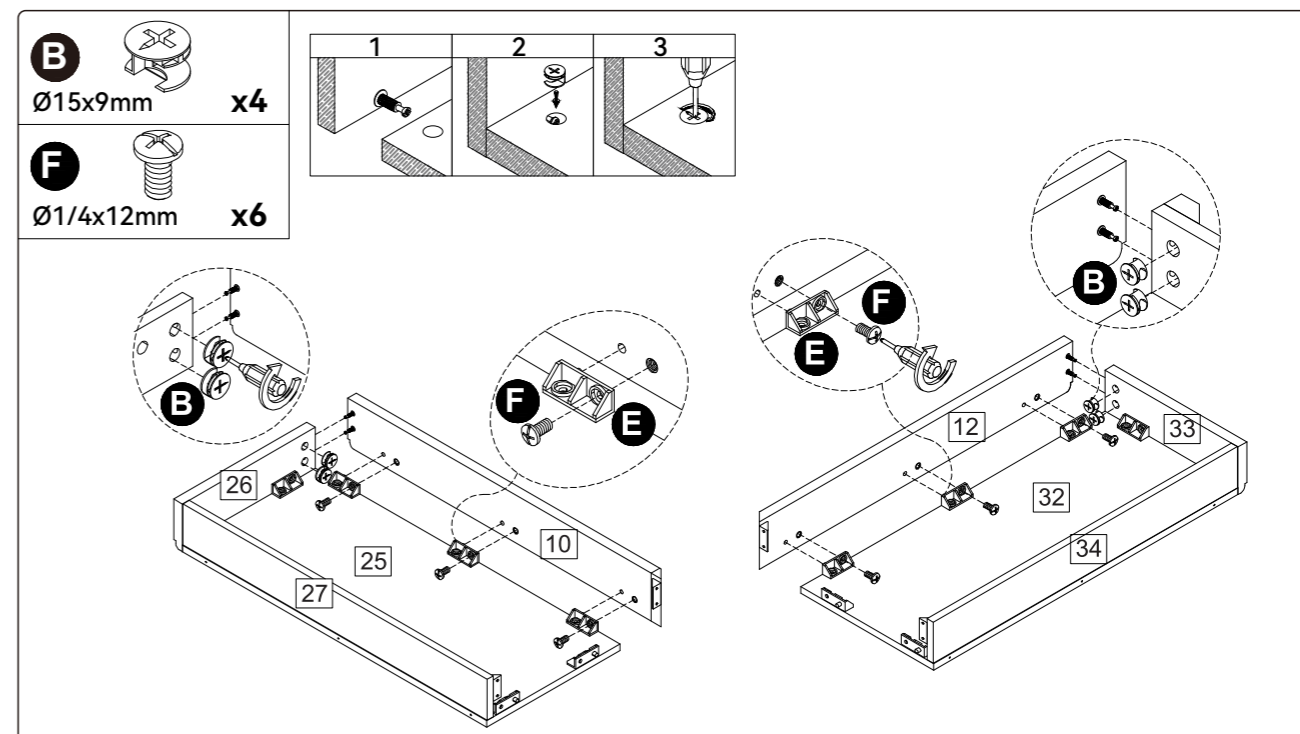
Insert A into panel (26). Install panel (26) onto panels (27, 25). Insert B into panel (27) and secure it. Pass screw F through E and connect it to panel 26 securely.

## Step 21




Insert A into panel (33). Install panel (33) onto panels (32, 34). Insert B into panels (34) and secure it. Pass screw F through E and connect it to panel 33 securely.

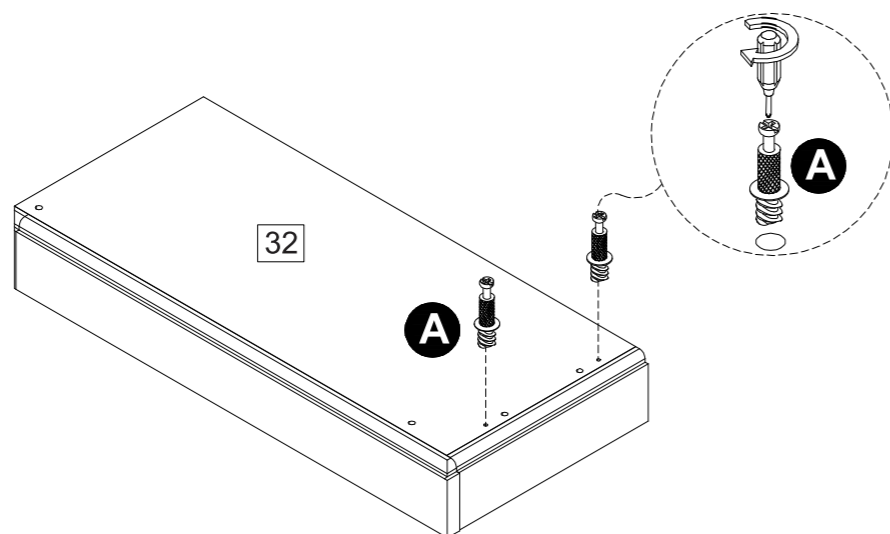
## Step 22



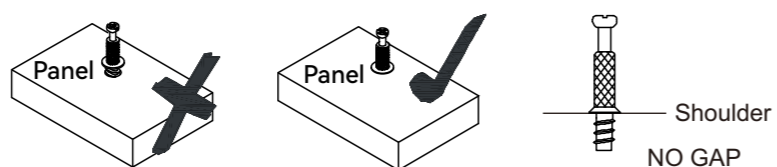
Install panels (10, 12) onto panels (25, 26, 32, 33). Insert B into panels (26, 33) and secure it. Pass screw F through E and connect it to panels (10, 12) securely.

## Step 23

**A**   $\varnothing 7 \times 35 \text{mm}$  x2

**CAM-LOCK**

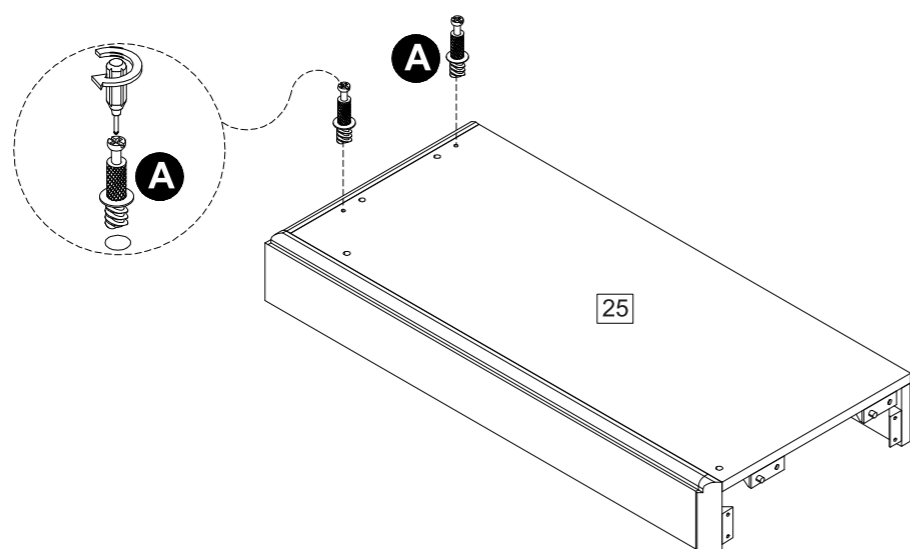
Tighten until shoulder is flush with panel. Do not overtighten or undertighten (see example)



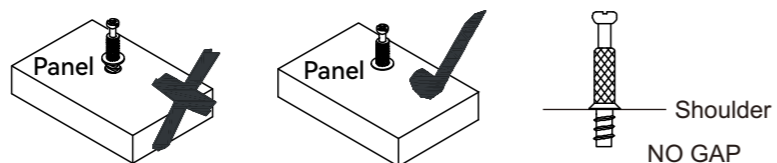
Insert A into panel (32).

## Step 24

**A**   $\varnothing 7 \times 35 \text{mm}$  x2

**CAM-LOCK**


Tighten until shoulder is flush with panel. Do not overtighten or undertighten (see example)



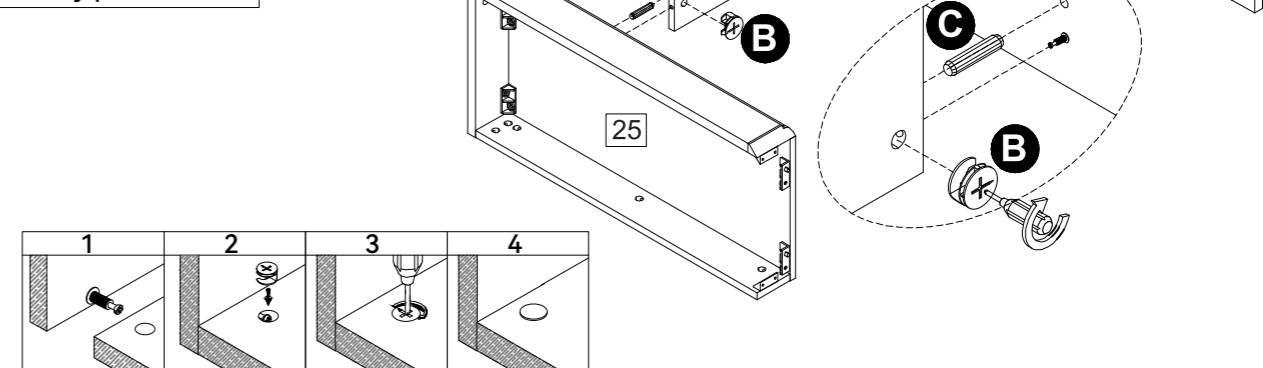
Insert A into panel (25).

## Step 25

**B**   $\varnothing 15 \times 9 \text{mm}$  x4

**C**   $\varnothing 8 \times 30 \text{mm}$  x4


**Q**  Beauty patch x4



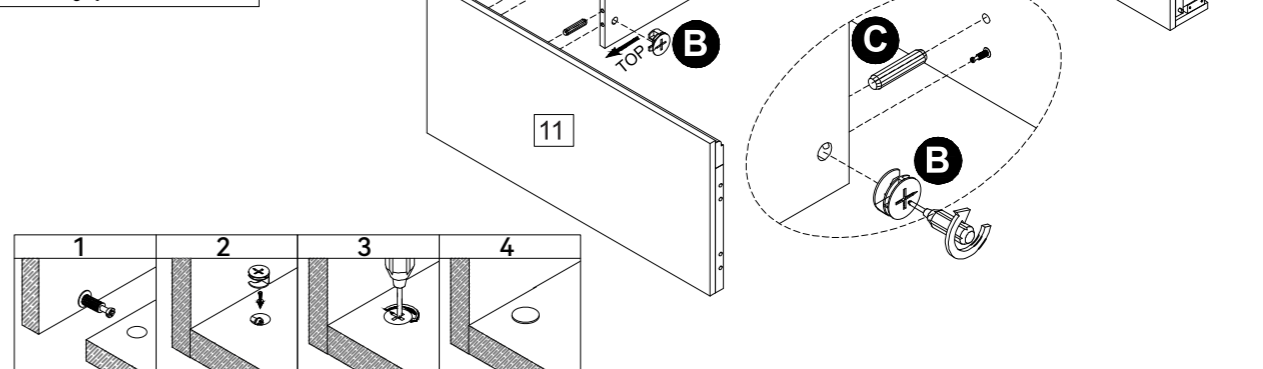
Insert C into panel (22). Install panel (22) onto panels (25, 8). Insert B into panel (22) and secure it.

## Step 26

**B**   $\varnothing 15 \times 9 \text{mm}$  x4

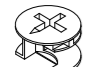
**C**   $\varnothing 8 \times 30 \text{mm}$  x4


**Q**  Beauty patch x4




Insert C into panel (30). Install panel (30) onto panels (11, 32). Insert B into panel (30) and secure it.

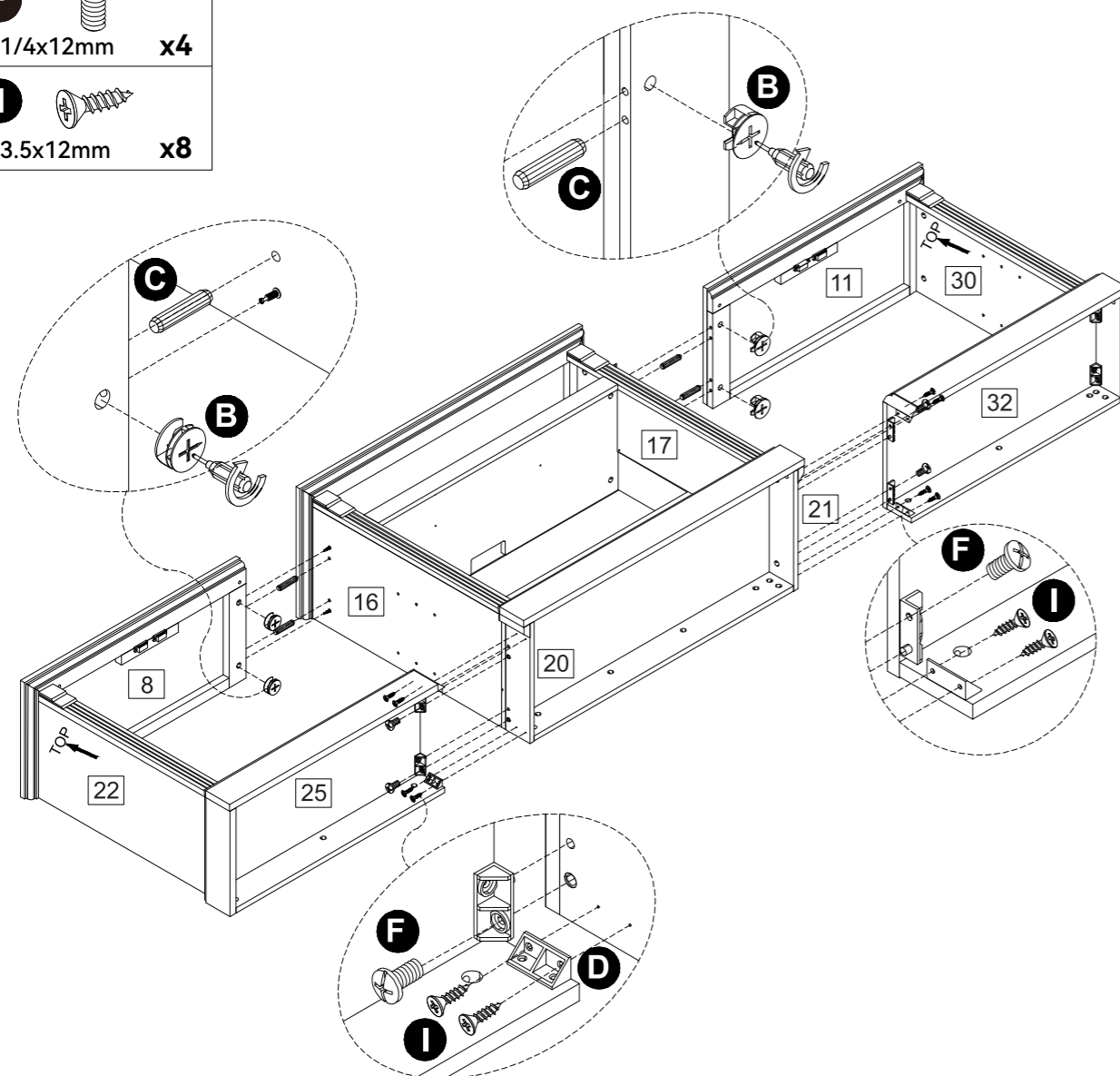
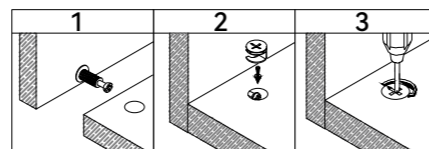
## Step 27

**B**   $\varnothing 15 \times 9 \text{mm}$  x4

**C**   $\varnothing 8 \times 30 \text{mm}$  x4


**F**   $\varnothing 1/4 \times 12 \text{mm}$  x4

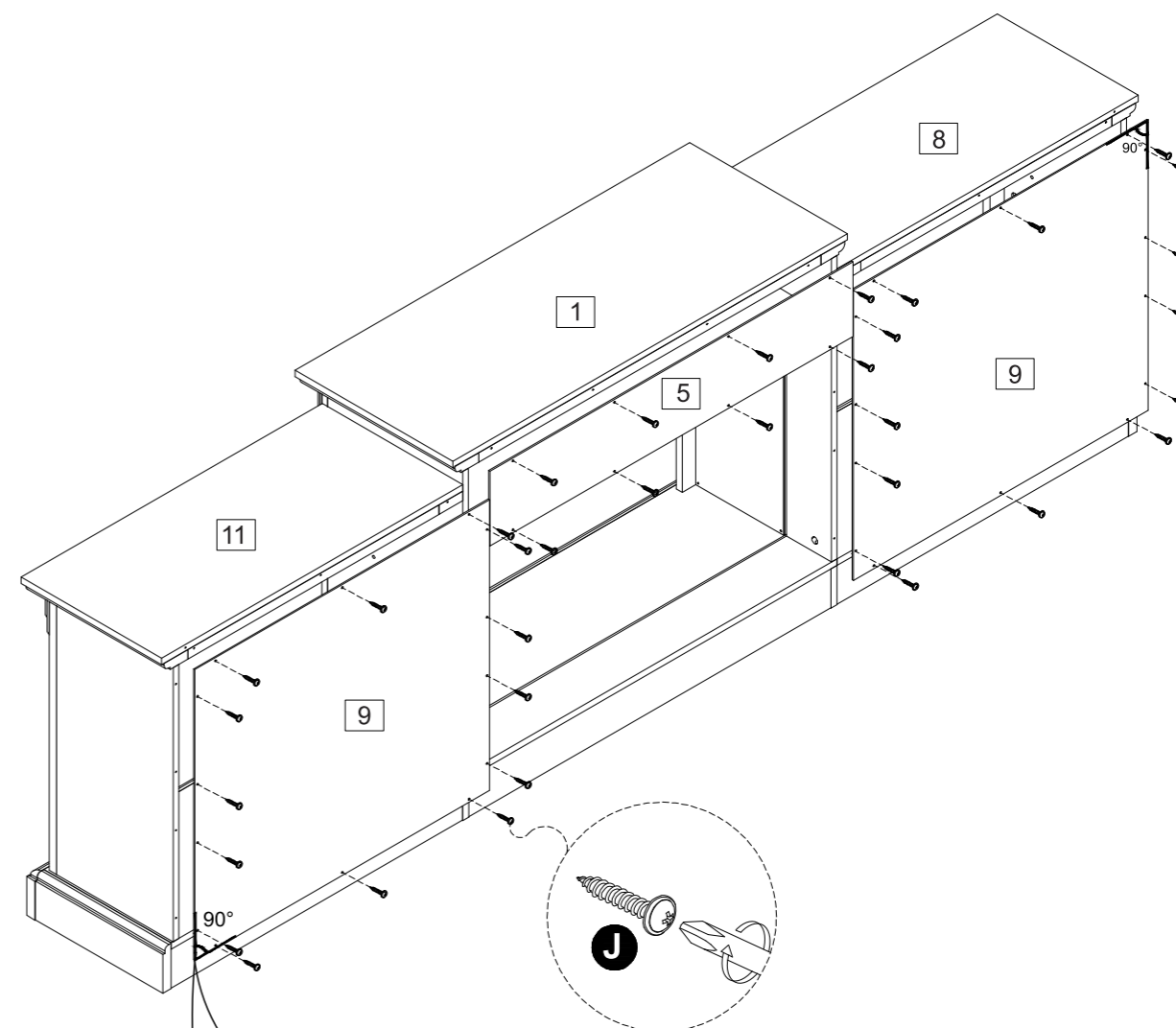
**I**   $\varnothing 3.5 \times 12 \text{mm}$  x8



Insert C into panels (8, 11). Install panels (8, 11) onto panels (16, 17). Insert B into panels (8, 11) and secure it. Pass screw F through E and secure panels (20, 21). Pass screw I through D and secure panels (20, 21).

## Step 28

**J**   $\varnothing 3.5 \times 16 \text{mm}$  x36

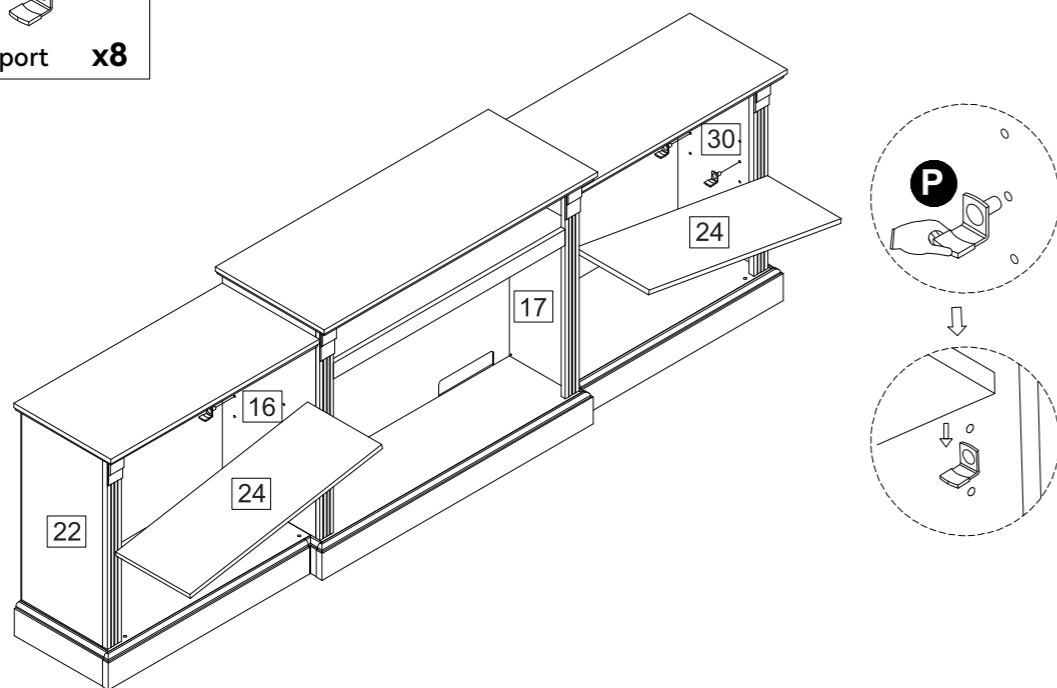


**CAUTION:** Before attaching the back panel, make sure that the unit is at 90°.

Pass screw J through panels (5, 9) and secure it.

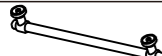
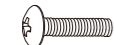

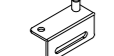



## Step 29

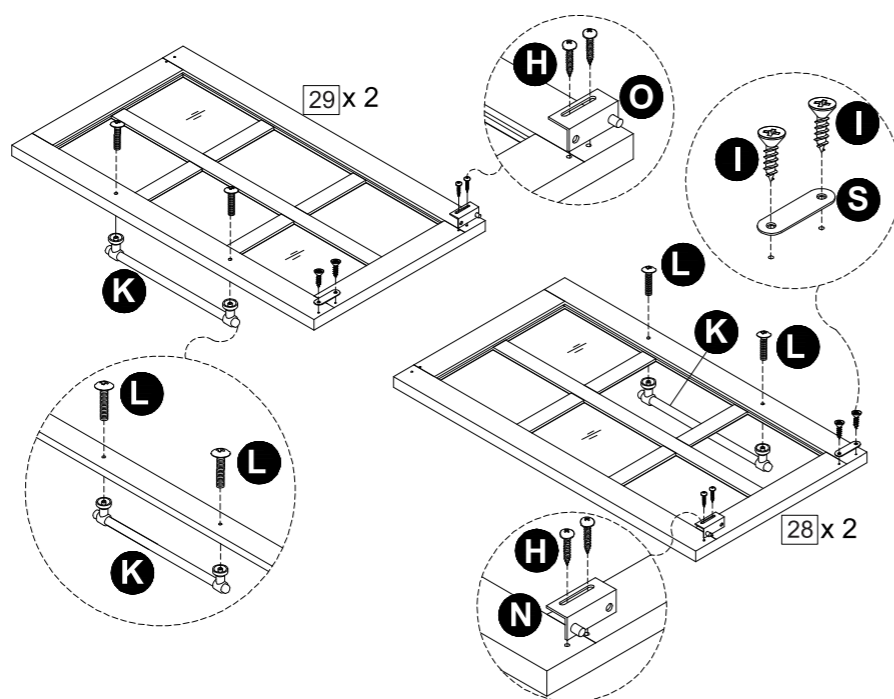
**P**  Shelf support **x8**



Insert P into panels (22, 16, 17, 30). Place panel (24) on top of P.




## Step 30

**K**  Handle **x4**  
**L**  Ø5/32x23mm **x8**  
**H**  Ø3.5x12mm **x8**  
**N**  Pivot hinge **x2**  
**O**  Pivot hinge **x2**  
**I**  Ø3.5x12mm **x8**  
**S**  Sheet iron **x4**

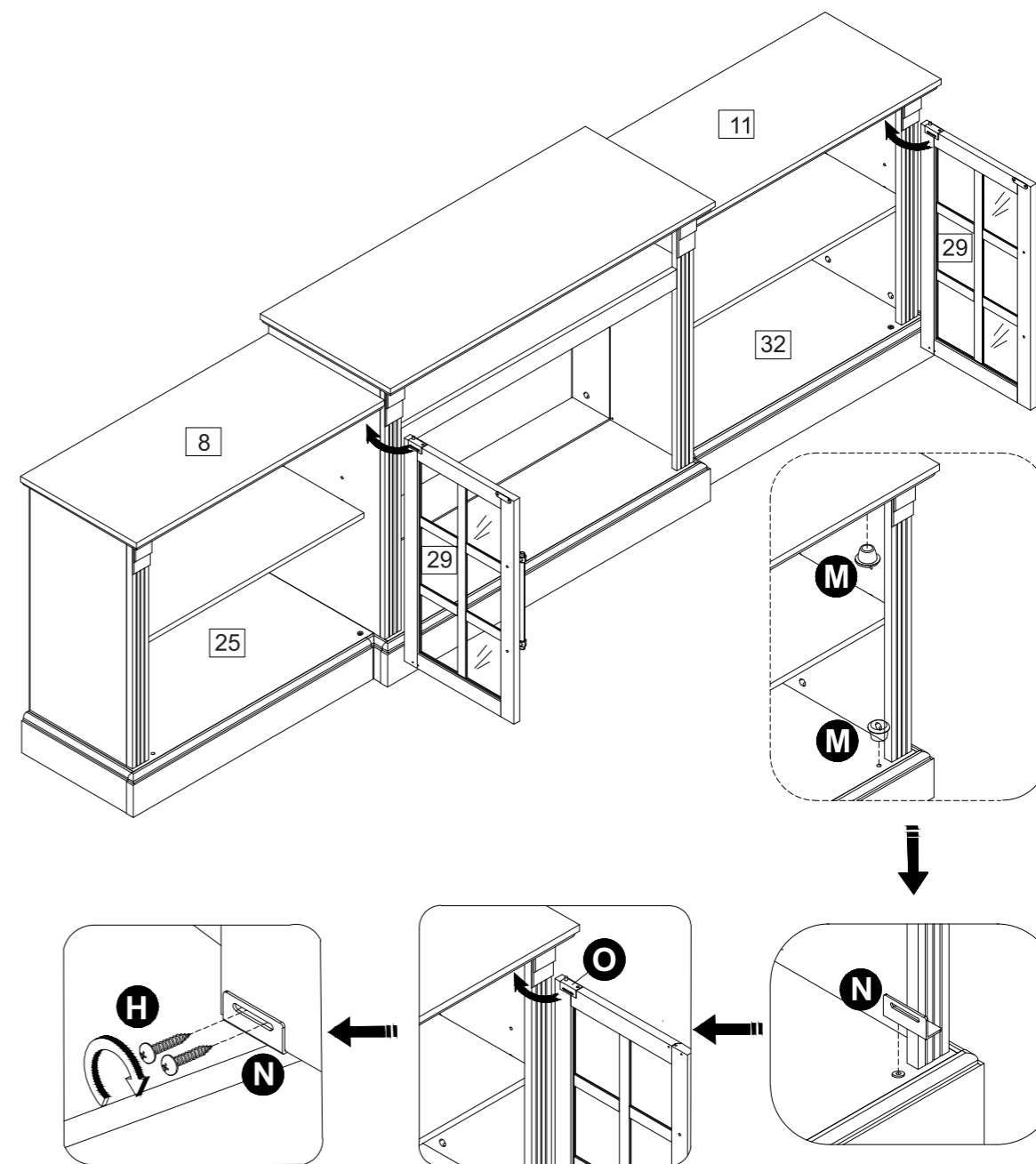
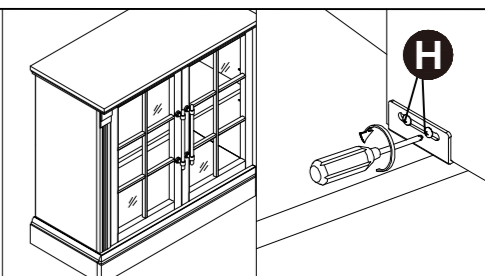


Pass screw L through (28, 29) and secure K. Pass screw I through S and secure (28, 29). Pass screw H through O and secure 28. Pass screw H through N and secure 29.

## Step 31




**M**  Door shaft support **x4**  
**H**  Ø3.5x12mm **x4**  
**N**  Pivot hinge **x2**

Note :  
If the DOOR does not go in smoothly. Loosen the screws (H) on Door pivots, You can adjust lift or right by a few mm. Then tighten back up.

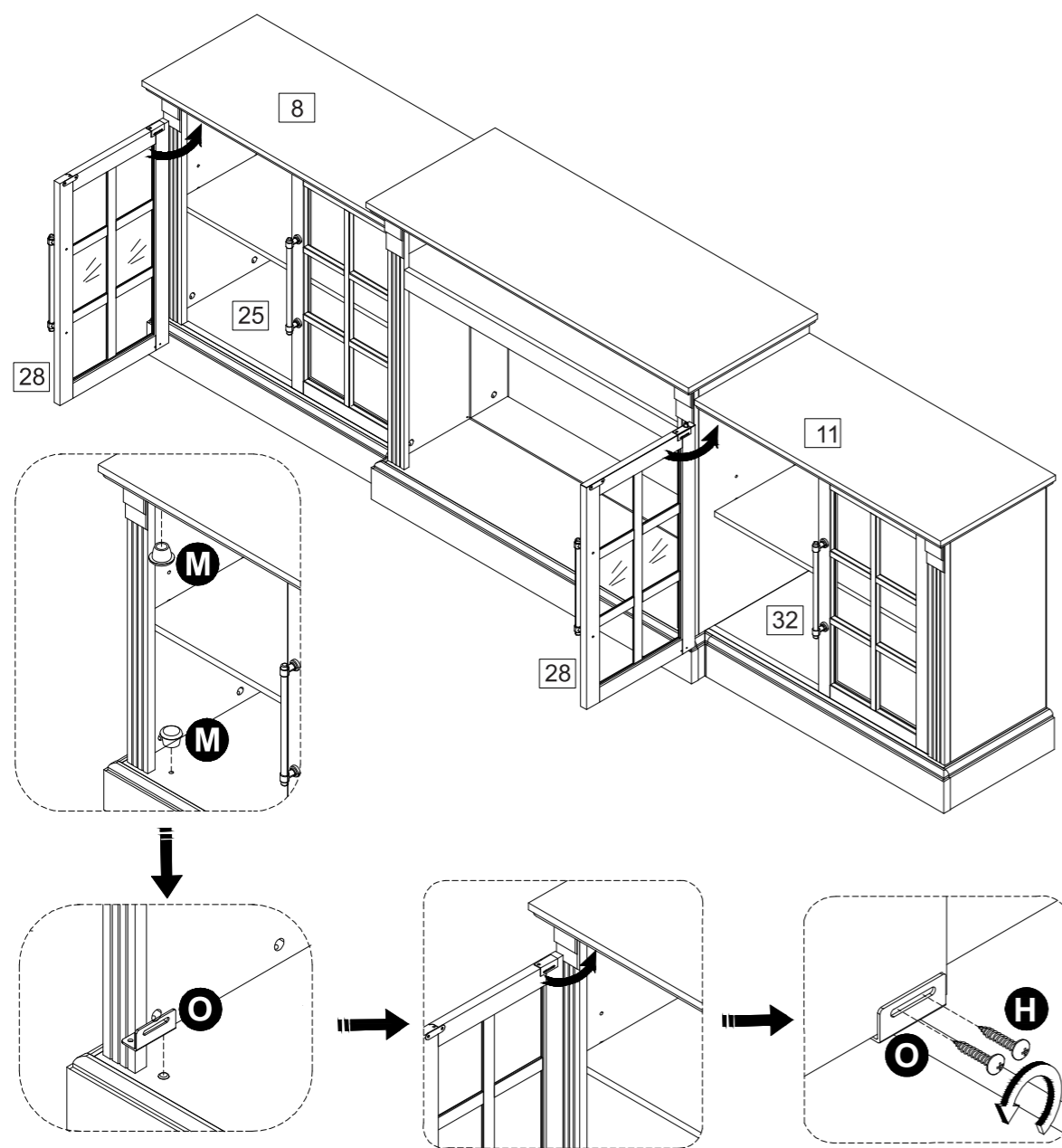
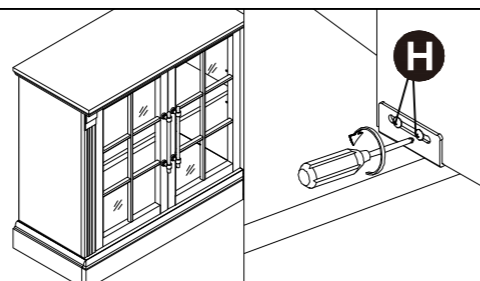


Insert M into panels (8, 11, 25, 32). Insert N into panels (25, 32). Install panel (29) onto panels (8, 11, 25, 32). Pass screw H through N and secure panel (29).

## Step 32

- M**  Door shaft support **x4**
- H**  Ø3.5x12mm **x4**
- O**  Pivot hinge **x2**

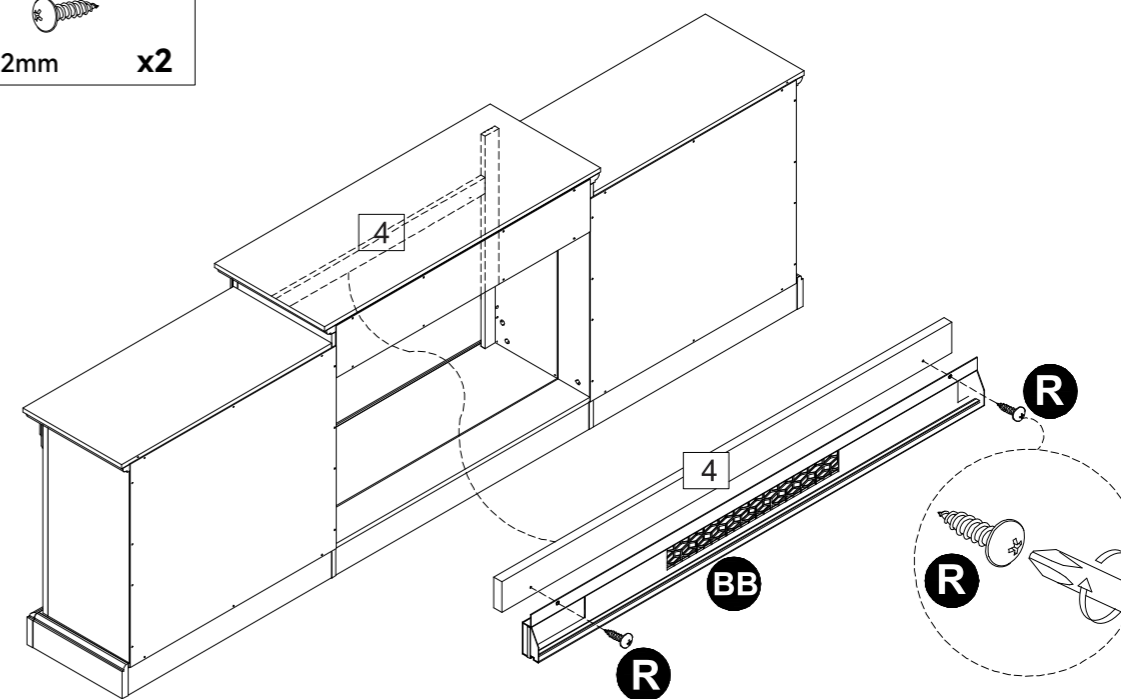
Note :  
If the DOOR does not go in smoothly. Loosen the screws (H) on Door pivots, You can adjust lift or right by a few mm. Then tighten back up.



Insert M into panels (8, 11, 25, 32). Insert O into panels (25, 32). Install panel (28) onto panels (8, 11, 25, 32). Pass screw H through O and secure panel (28).

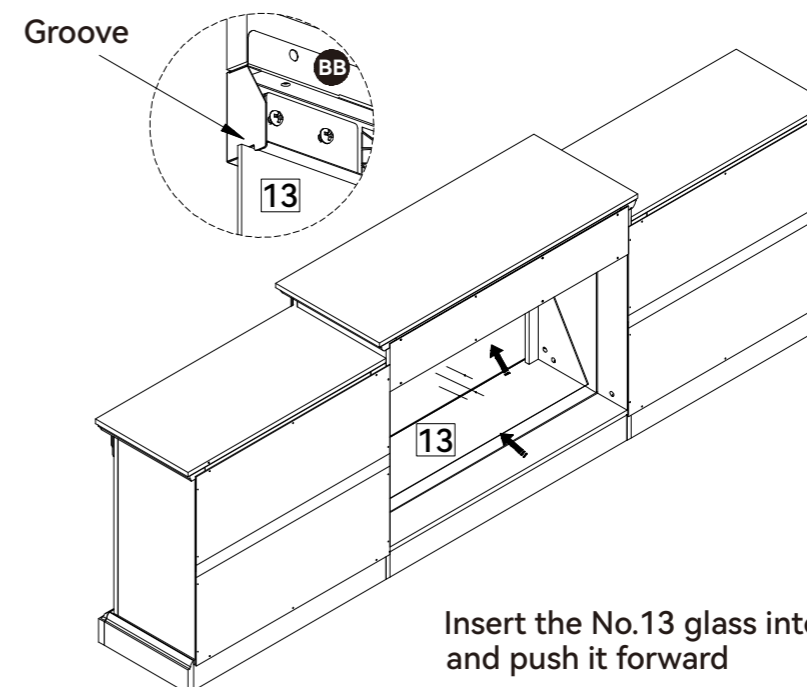
## Step 33

- R**  Ø4x12mm **x2**



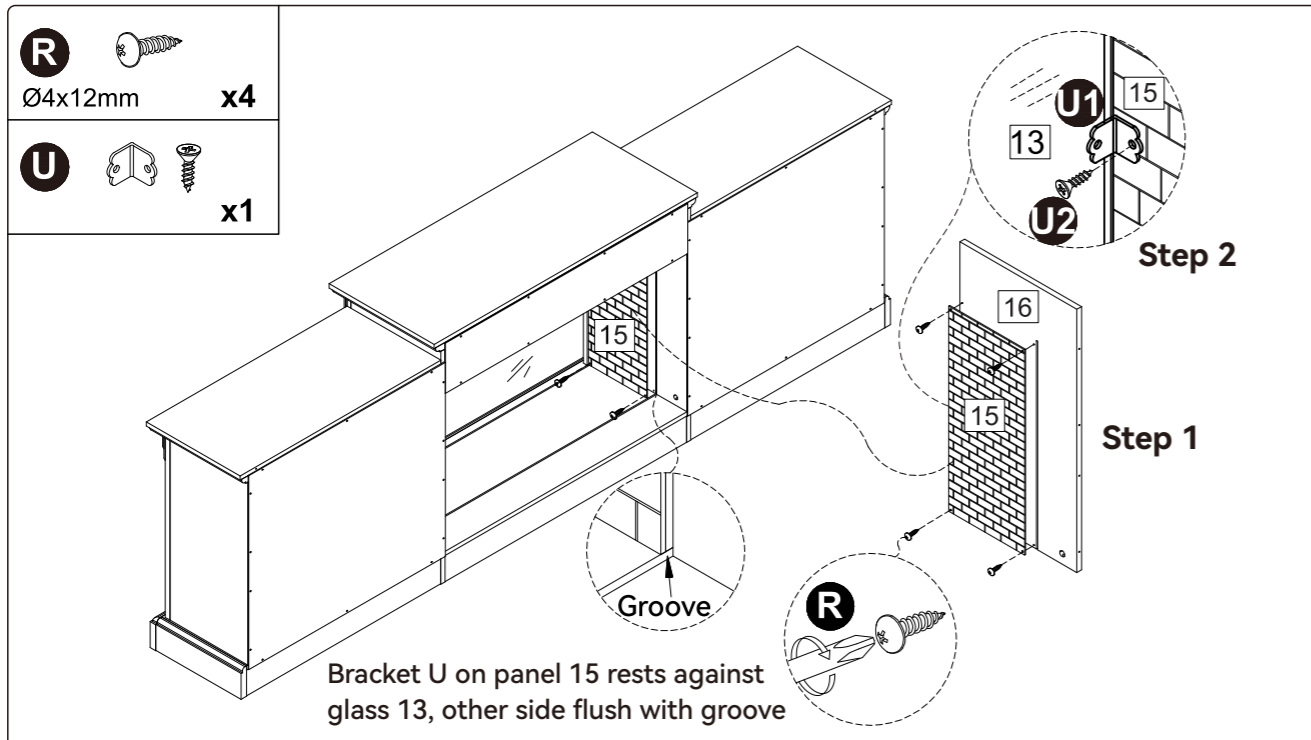
Pass screw R through BB and secure it on panel (4).

## Step 34



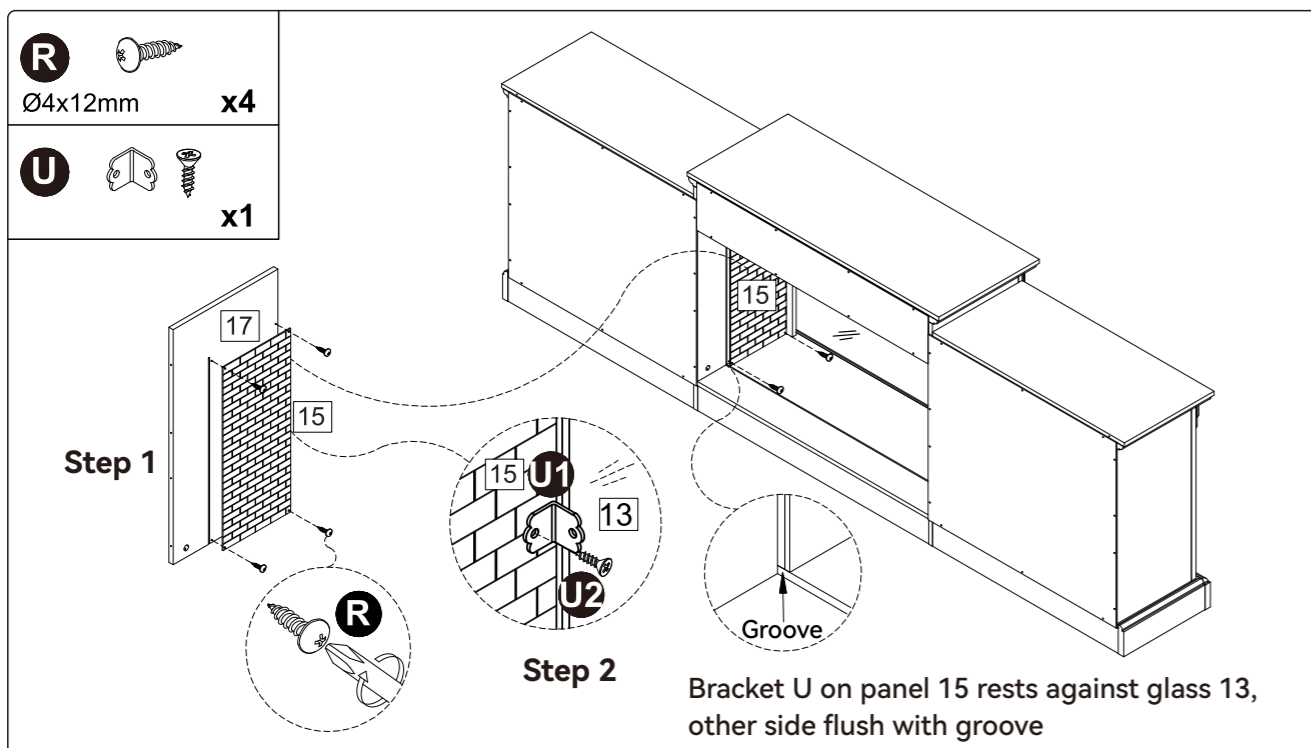
Insert the No.13 glass into the groove of "BB" and push it forward

## Step 35



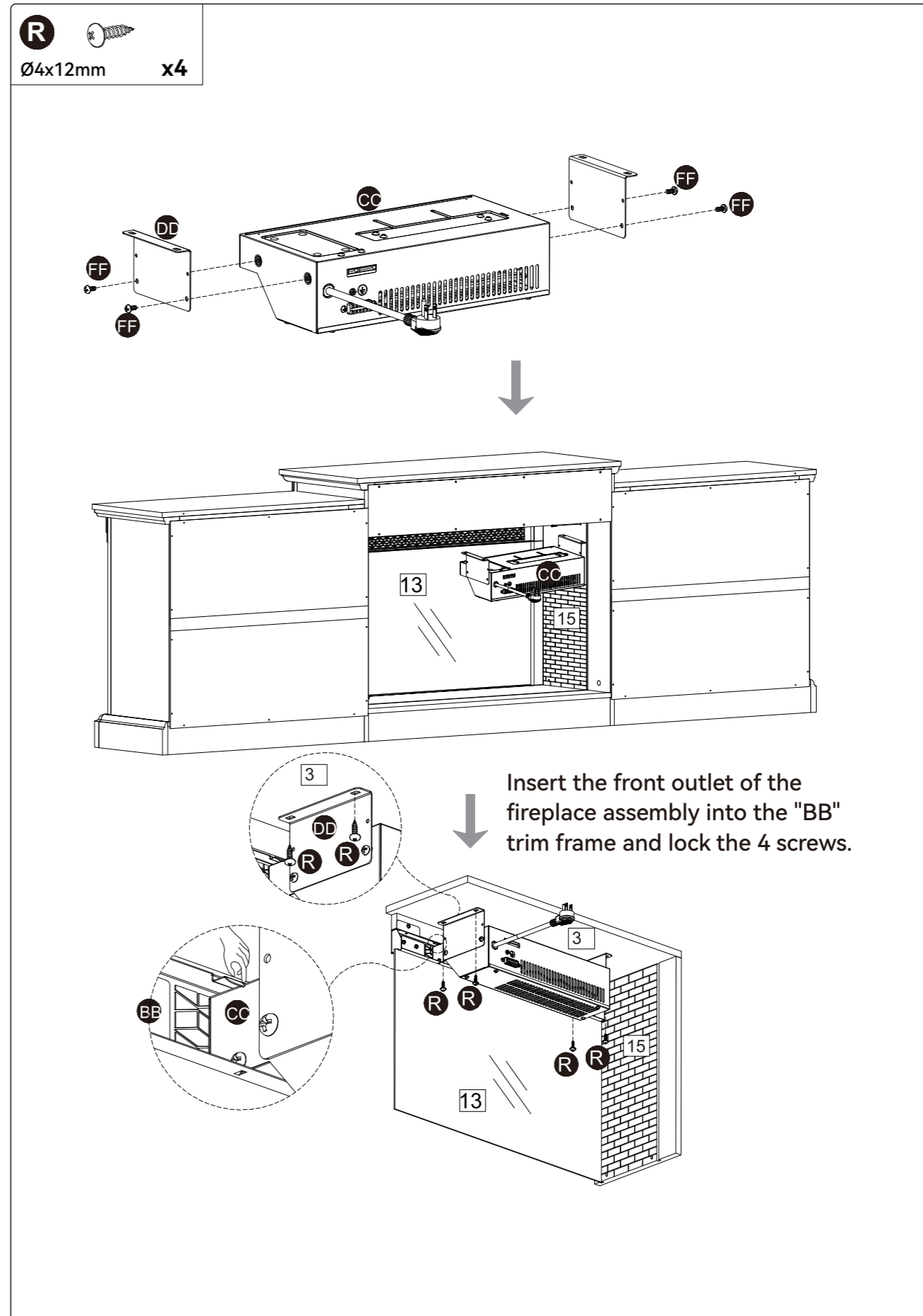
Pass screw R through panel (15) into part (16) and tighten. Place plate U1 against glass (13), fix with screw U2.

## Step 36

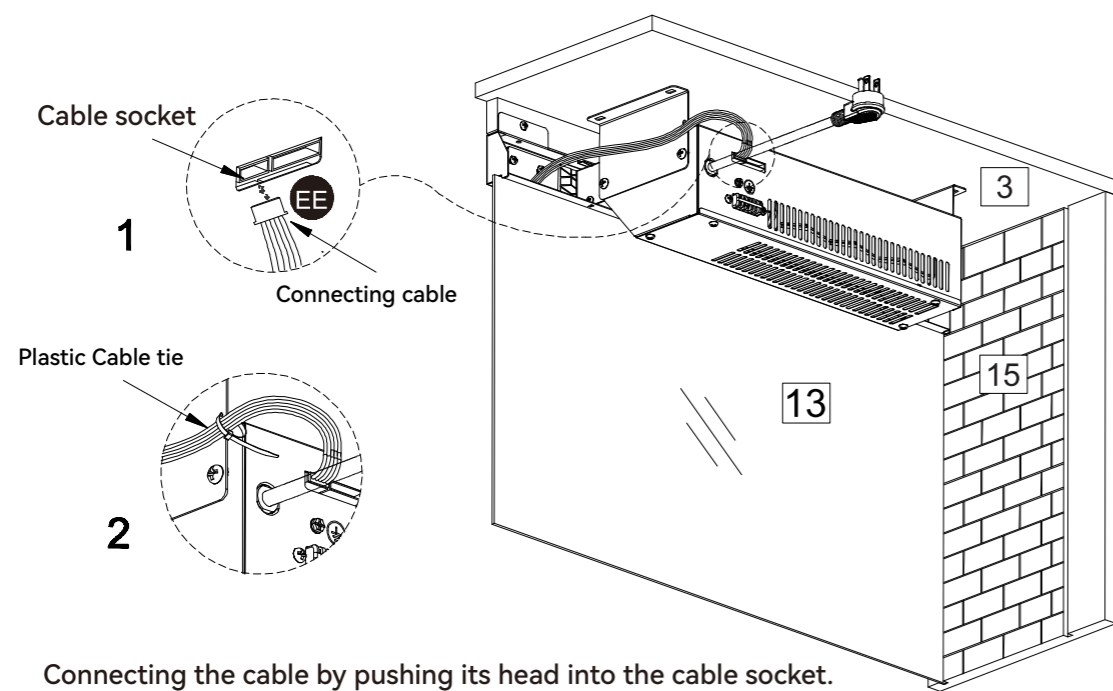


Pass screw R through panel (15) into part (16) and tighten. Place plate U1 against glass (13), fix with screw U2.

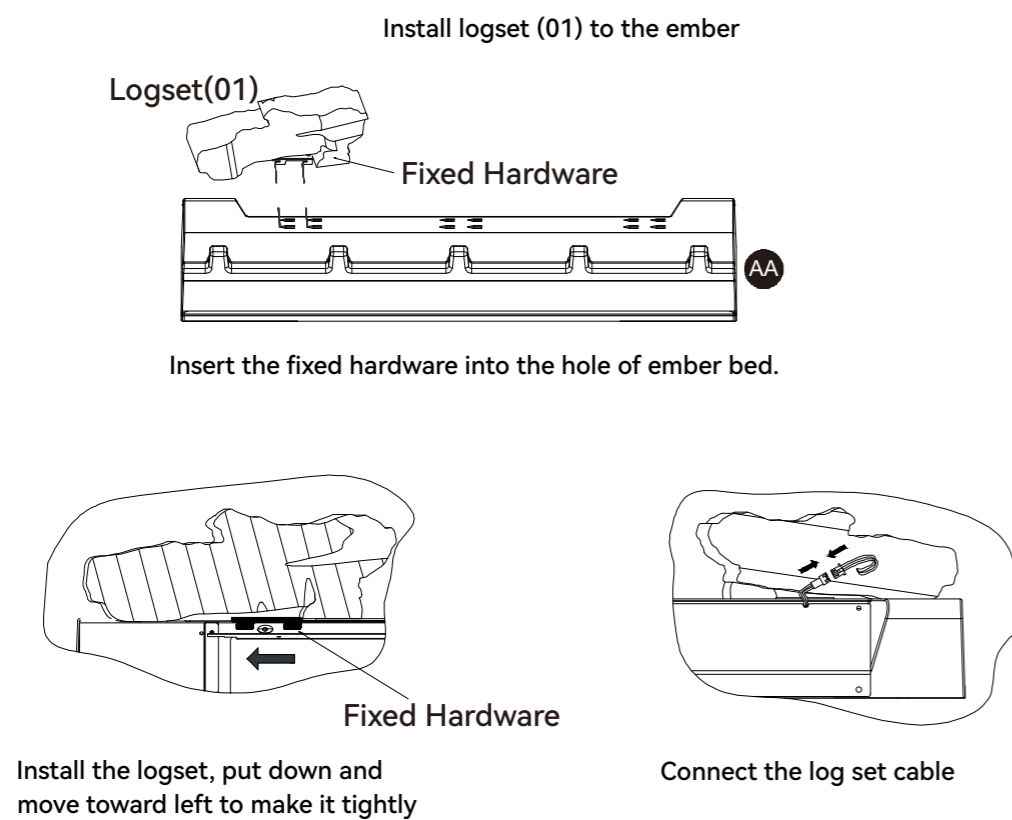
## Step 37



## Step 38

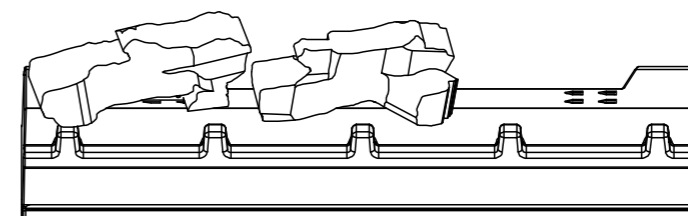


## Step 39

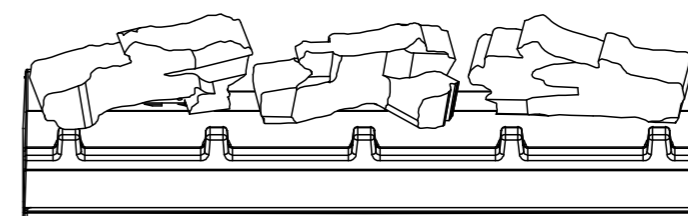


## Step 40

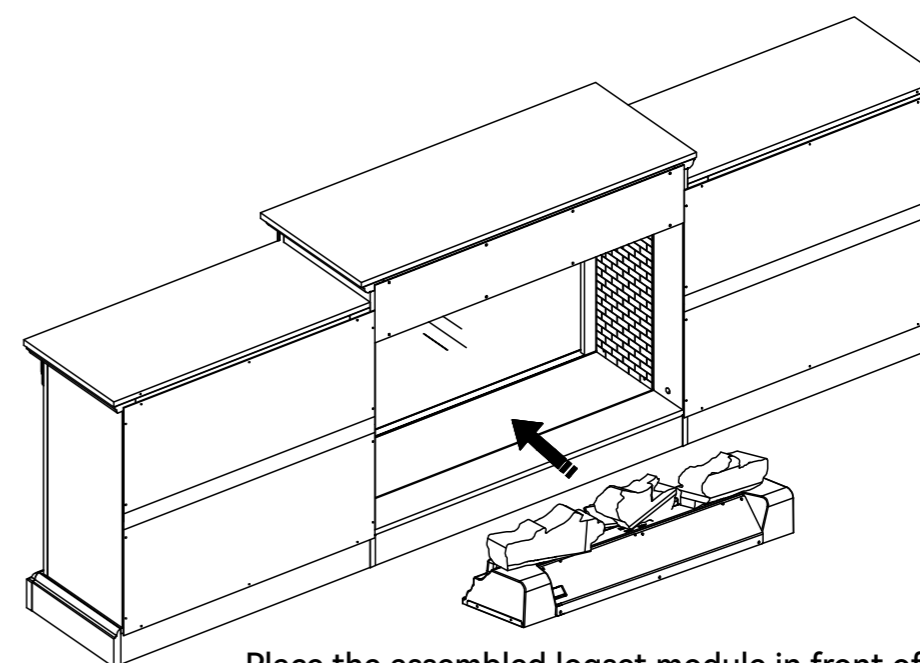
Same method to install logset 02 as installing logset 01.



Same method to install logset 03 as installing logset 01.

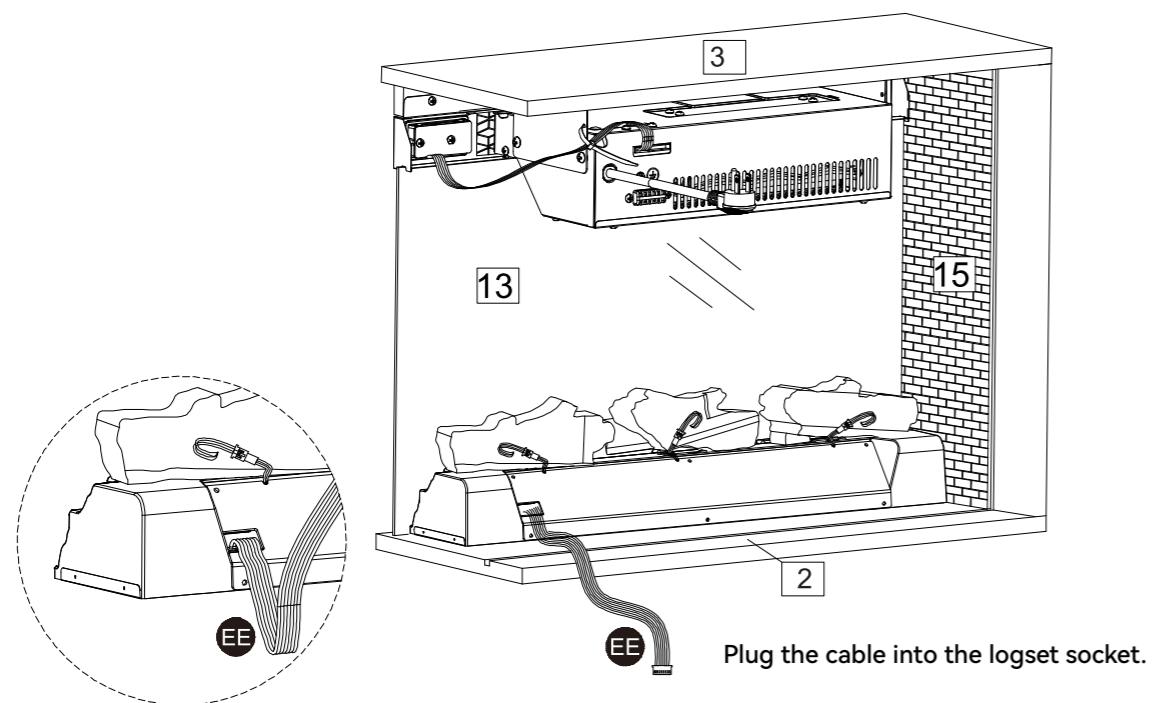


## Step 41

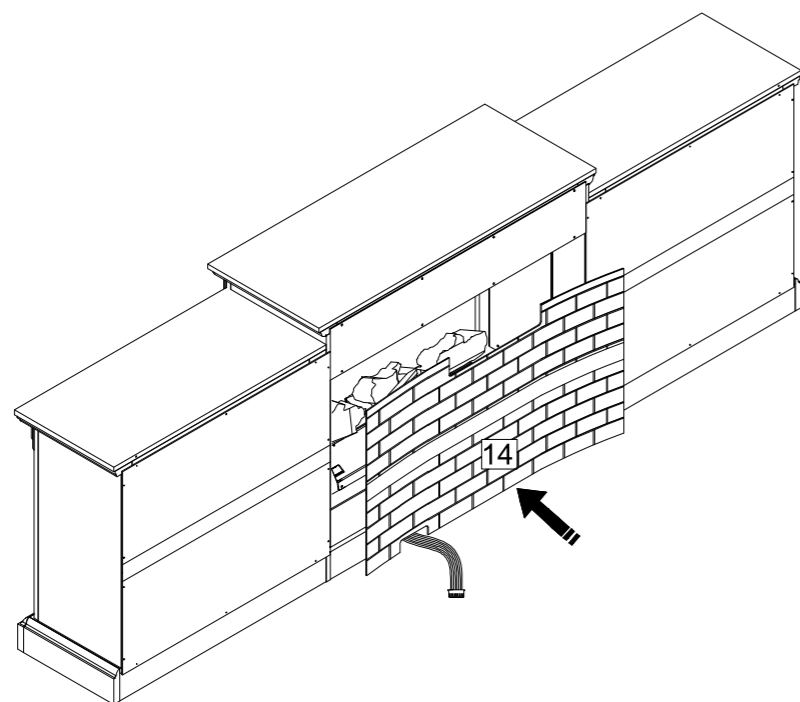


Place the assembled logset module in front of the glass and put it stand against glass.

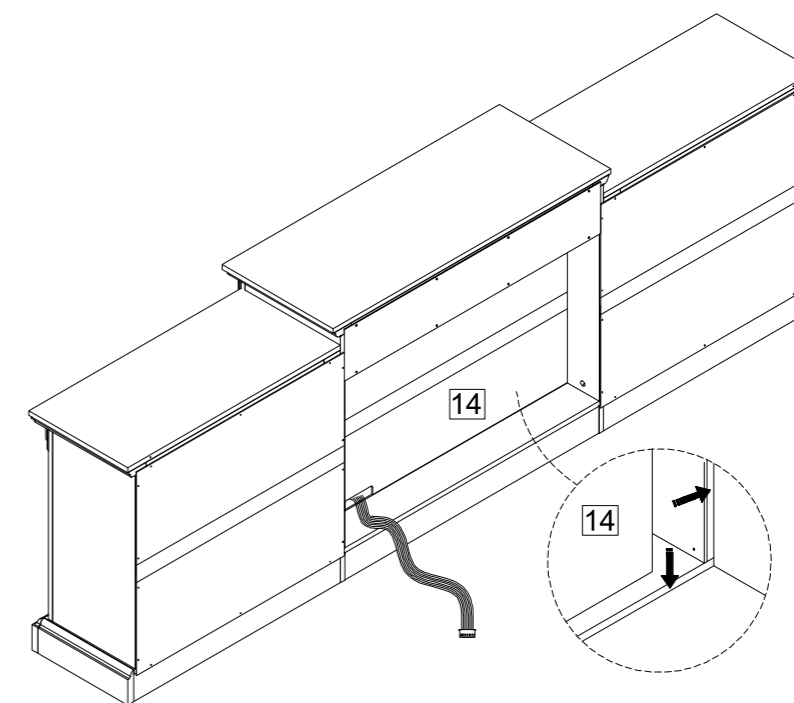
## Step 42



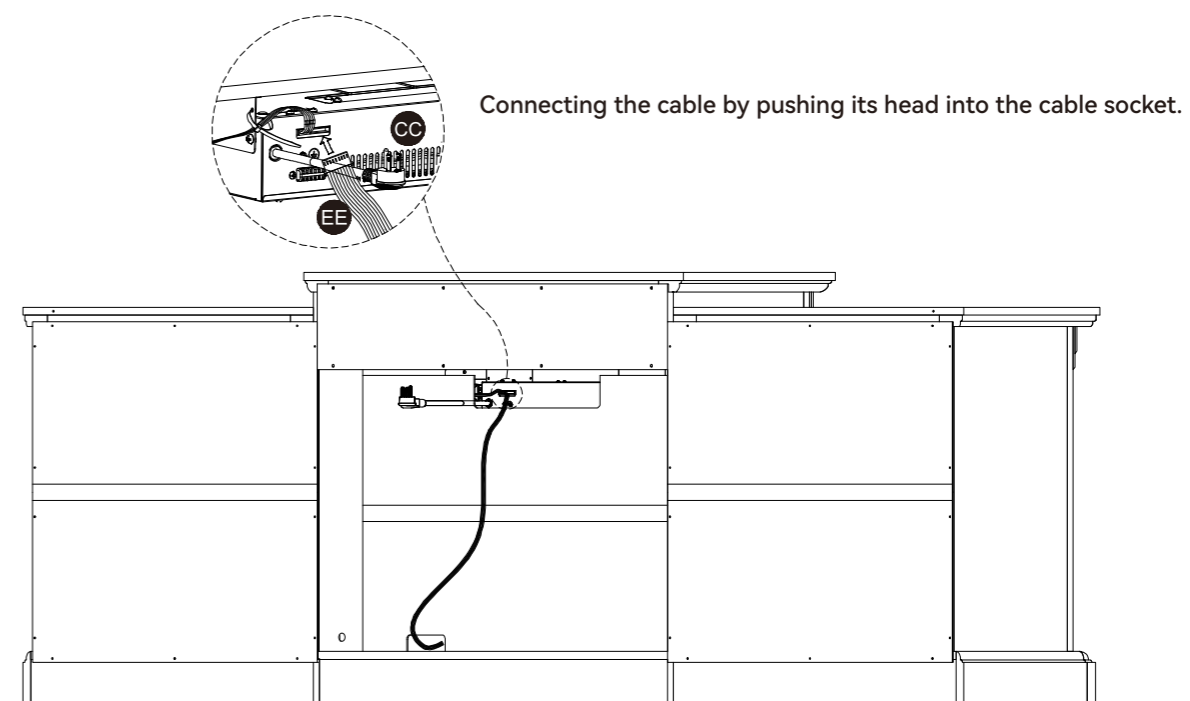
## Step 43



## Step 44

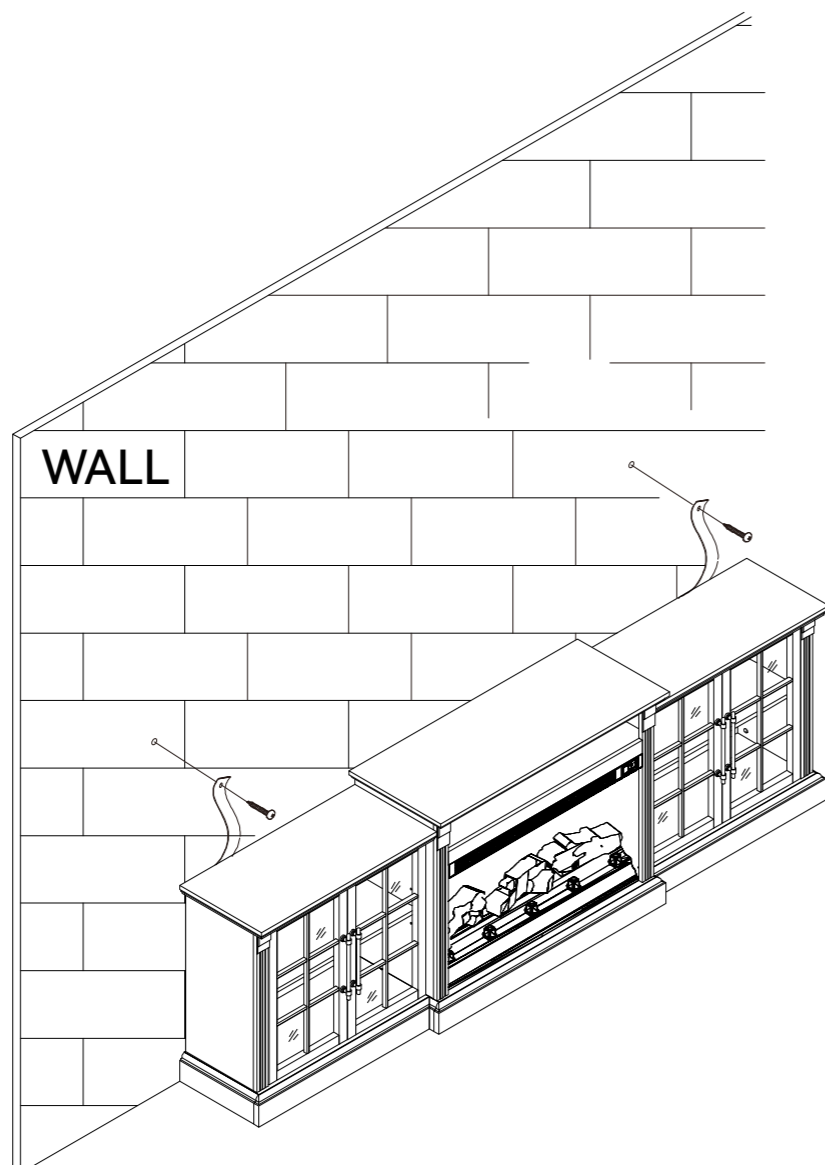
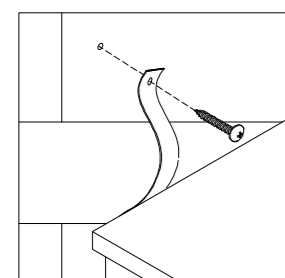
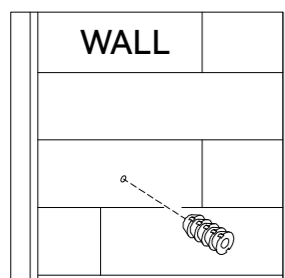
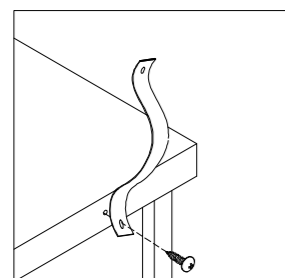


## Step 45



## Step 46

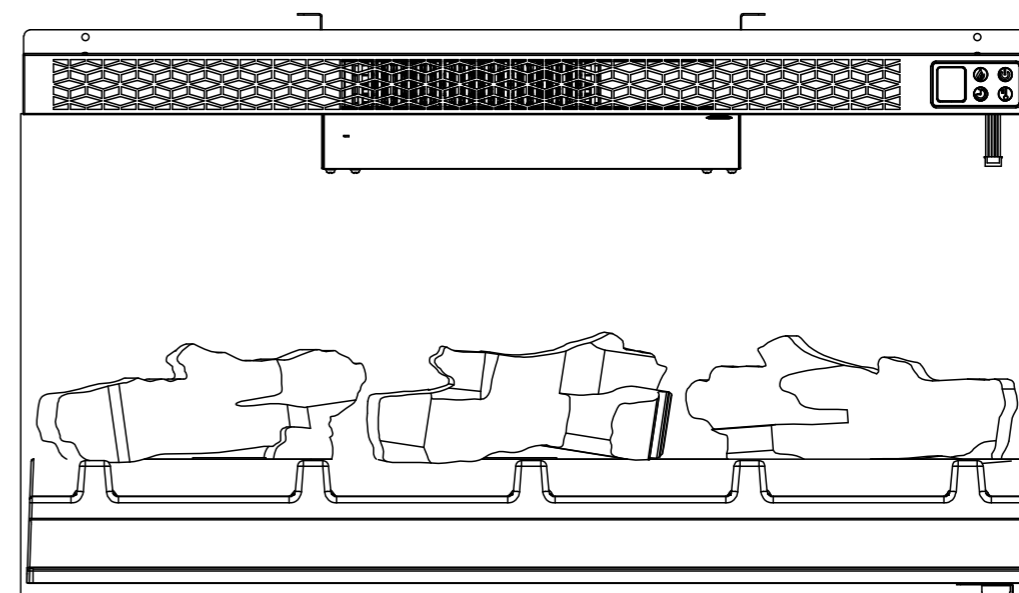
**T**   
Wall mounting kit x1



# USER MANUAL

## Electric Fireplace

Model#SF231-33A



THIS INSTRUCTION BOOKLET CONTAINS IMPORTANT SAFETY INFORMATION.  
PLEASE READ AND KEEP FOR FUTURE REFERENCE.

# Safety Information



## IMPORTANT SAFETY INFORMATION

PLEASE READ ALL OF THE INFORMATION IN THIS OPERATING MANUAL, INCLUDING ALL SAFETY, OPERATING, AND MAINTENANCE INFORMATION. TO AVOID THE POTENTIAL RISK OF FIRE, ELECTRIC SHOCK, OR INJURY TO PERSONS. USERS SHOULD FOLLOW THE DIRECTIONS AND WARNINGS IN THIS MANUAL.

- Read all instructions before using this heater.
- Do not use this heater outdoors.
- This heater is not intended for use in bathrooms, laundry areas and similar indoor locations. Never locate the heater where it may fall into a bathtub or other water container.
- Do not run the power cord under carpeting. Do not cover the power cord with throw rugs, runners, or the like.
- Arrange the power cord away from traffic areas and where it will not be tripped over.
- To disconnect the heater, turn controls to off, then remove the plug from the outlet.
- Connect to properly grounded outlets only. Always plug heaters directly into a wall outlet/receptacle. Never use with an extension cord or relocatable power tap (outlet/power strip).
- To prevent a possible fire, do not block firebox air intakes or the exhaust in any manner. Do not operate the firebox on soft surfaces, like a bed, where openings may become blocked.
- There is a thermostat limiter inside the heater. When the inner temperature overheats or abnormal heating occurs, the thermostat protective device cuts off the power supply to avoid fireplace damage or risk of fire.
- Use this heater only as described in this manual. Any other use not recommended by the manufacturer may cause fire, electrical shock, or injury to persons.

## SAVE THESE INSTRUCTIONS



**WARNING** There are no user serviceable parts inside the fireplace/heater. If the unit appears to malfunction, turn the unit off and unplug the unit from the wall immediately, and contact Customer.



**WARNING** This heater is hot when in use. To avoid burns, do not let bare skin touch hot surfaces. If provided, use handles when moving this heater. Keep combustible material, such as furniture, pillows, bedding, papers, clothes and curtains at least 3 ft (0.9 meters) from the front of the heater and keep them away from the sides and rear.



**WARNING** Extreme caution is necessary when any heater is used by or near children or invalids and whenever the heater is left operating and unattended.



**WARNING** Always unplug the heater when not in use.



**WARNING** Do not operate any heater with a damaged cord or plug or after the heater malfunctions, has been dropped or damaged in any manner. Return the heater to an authorized service facility for examination, electrical or mechanical adjustment, or repair.



**WARNING** Do not insert or allow foreign objects to enter any ventilation or exhaust openings as this may cause an electric shock or fire, or damage the heater.



**WARNING** Heater has hot and arcing or sparking parts inside. Do not use in areas where gasoline, paint, or flammable liquids are used or stored.



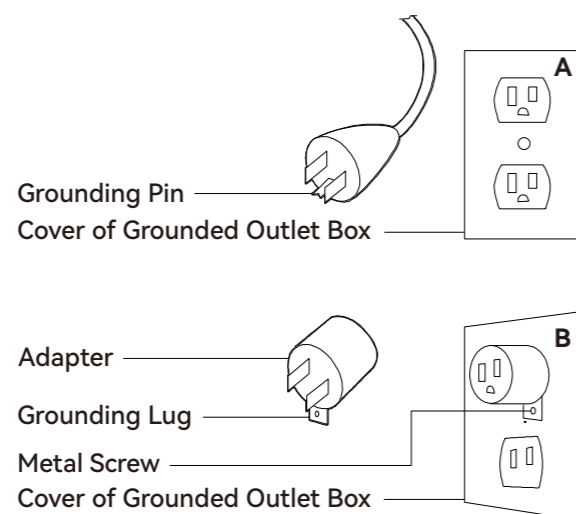
**WARNING** While the heater is in use, the top center of the fireplace can get hot to the touch and may cause serious injury or burns. Always supervise small children around the fireplace/heater. Do not place any cloth or decorations over the heater outlet of the fireplace, or otherwise obstruct the heater outlet of the fireplace, as this may cause a fire and serious injury may result.

## GROUNDING INSTRUCTIONS



Improper connection of the equipment-grounding conductor can result in a risk of electric shock. Check with a qualified electrician or serviceman if you are in doubt as to whether the product is properly grounded. Do not modify the plug provided with the product. If it will not fit the outlet, have a proper outlet installed by a qualified electrician.

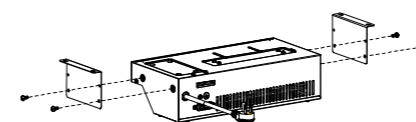
- This product must be grounded. If it should malfunction or breakdown, grounding provides a path of least resistance for electric current to reduce the risk of electric shock. This product is equipped with a cord having an equipment-grounding conductor and a grounding plug. The plug must be plugged into an appropriate outlet that is properly installed and grounded in accordance with all local codes and ordinances.
- This heater is for use on 120-volt circuits and has a grounded plug. An adapter is available from your local electronics store or online supplier for connecting three-blade grounding-type plugs to two-slot receptacles. The green grounding lug extending from the adapter must be connected to a permanent ground such as a properly grounded outlet box. The adapter should not be used if a three-slot grounded receptacle is available.



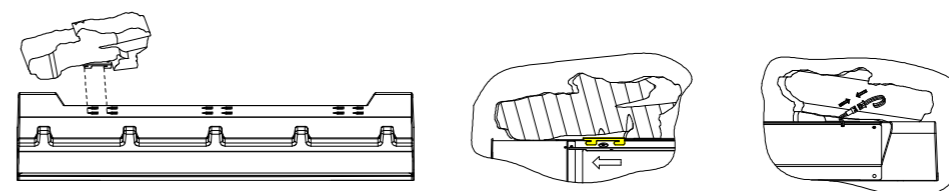
## TECHNICAL SPECIFICATION

Power Rating	1400W
Voltage	120V
Frequency	60Hz

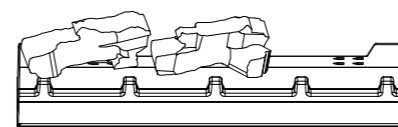
## Assembly



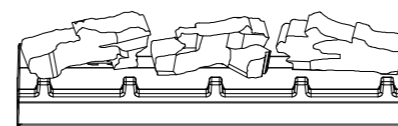
STEP 1 Use screws to lock Bracket A on the heating element.



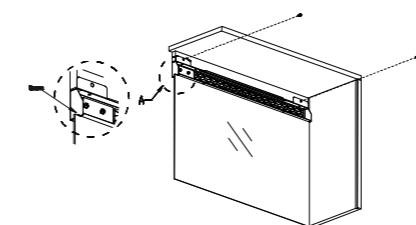
STEP 2 Install Logset 01 to the ember, then connect wiring terminal.



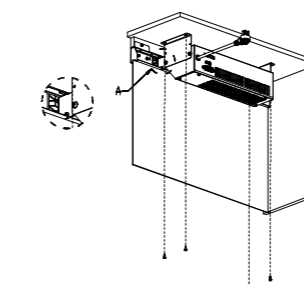
STEP 3 Install Logset 02 to the ember, then connect wiring terminal.



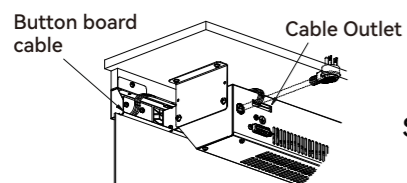
STEP 4 Install Logset 03 to the ember, then connect wiring terminal.



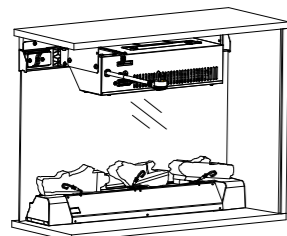
STEP 5 Carefully set the unit from the back of the mantel and center it in the opening. Check the alignment and attach the unit of the mantel by inserting screws through the drilled holes on the crossbar. The top of the glass is embedded in the bottom groove of the hardware frame.



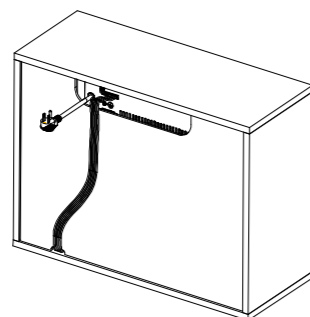
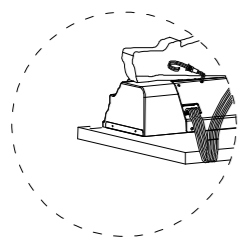
STEP 6 Insert the heater into the middle of the front panel and fix the heater to the top panel with screws.



**STEP 7** Insert the button board cable into the outlet of the heater.



**STEP 8** Place the assembled logset in front of the glass.



**STEP 9** Plug the USB cable into the ember and loop it through the back board to plug in the heater.

### Note

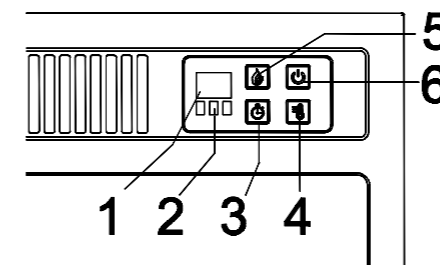
Do not attempt to install the unit from the front of the mantel. It will not fit.

## Operation



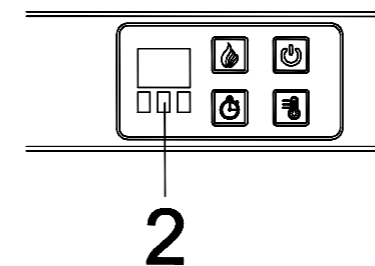
### Identifying the control panel

- The control panel is located on the top right corner of the fireplace/heater unit.
- The control panel contains the display unit (1), function indicator (2), timer function (3), heater control (4), flames control (5), and main power (6).
- The display unit (1) displays information about the flame level, time, and current temperature.



### Understanding the function indicator

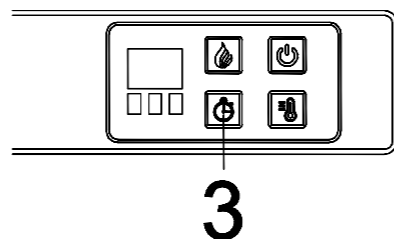
- The function indicator (2) has three square LEDs - red, green, and blue. The red LED indicates that the Fahrenheit temperature heating function is running, the green LED indicates that the Celsius temperature heating function is running, and the blue LED indicates that the timer function is engaged.
- To the bottom of the three LEDs, is the infrared receiver module which communicates with the remote control to control the heater.



## Using the timer function

The timer button (3) allows you to set the amount of time you want the fireplace /heater to run. The timer button (3) operates both the flames and the heater function. If the heater is operating when the timer is set, then the heater is on the timer. If the flames are operating, then the timer will control the flames. If both the heater and flames are operating with the timer set, then the timer controls both the flames and the heater. Pressing the button in sequence will set the timer for a set interval. This interval period is shown in the display (1), in blue. The set intervals are displayed in this table. The timer interval is set from the time the interval is selected. There is no clock function for turning the heater or flames on or off at a specific time.

Button Press	Timer Interval
1st press	30 Minutes
2nd press	1 Hour
3rd press	2 Hours
4th press	3 Hours
5th press	4 Hours
6th press	5 Hours
7th press	6 Hours
8th press	OFF

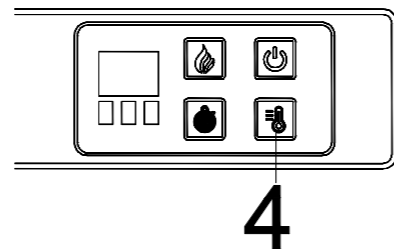


## Using the heater control

1. Press the heater on/off button (4) to turn on the heating function. When turned on, the heater will keep in "ON" mode automatically.
2. When the heater is on, long press the heater button for 5 seconds to enter the temperature setting adjustment. The LCD screen (1) will start flashing.
3. Press the heater button to cycle through the temperature level.
4. After choosing your heat level, wait for the LCD screen (1) to flash 2 times. Your temperature is now set.

**Note:** The heater will automatically pause after reaching the set temperature in your room. If the heater control is set to "ON" the heater will work nonstop until you shut it off manually.

Button Press	Celsius Temperature	Button Press	Fahrenheit Temperature
1	17°C	1	62°F
2	18°C	2	63°F
3	...	3	64°F
...	21°C	...	...
6	22°C	11	72°F
7	23°C	12	73°F
8	...	13	74°F
...	26°C	...	...
11	27°C	20	81°F
12	ON	21	82°F
		22	ON



## Using the flame control

Press the flame control button (5) manually to set flame color. The flame color settings are as follows:

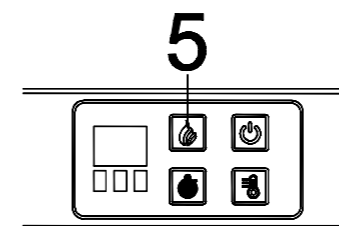
Button Press	Display Value	Flame Appearance	Button Press	Display Value	Flame Appearance
1st press	L1	Orange	5th Press	L5	Red&Orange
2nd press	L2	Blue	6th Press	L6	Red&Orange&Blue
3rd press	L3	Red	7th Press	L7	Cycle
4th press	L4	Red&Blue			

### Brightness Control

Long press the flame button (5) for approximately 3 seconds to control the brightness of the flame display. The brightness settings are as follows:

Display	Actual Brightness
b5	Brightest
b4	Bright
b3	Medium
b2	Slightly Darker
b1	Darker

**NOTE:** Flame brightness is set to 100% by default.

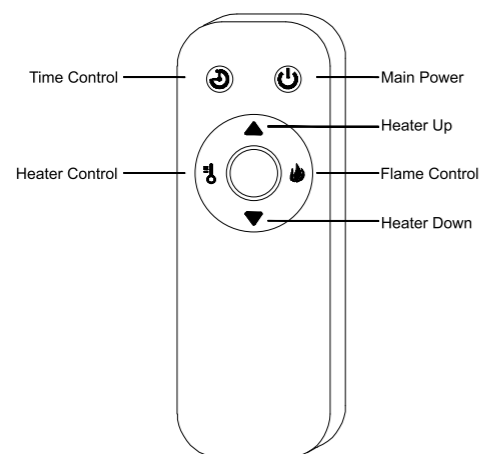


## Using the main power button

- Press the power button (6) to turn the fireplace/heater unit on and off. Press the power button (6) once to turn the unit on. Press again to turn the unit off.



## Using the Remote Control



### Using the Remote control

The operation of the remote control buttons work the same as button on the control panel.

**NOTE:** The remote control cannot be used to switch between degree Fahrenheit and degree Celsius.

### Install the battery

For replacement batteries, use AAA batteries.

Press down and slide back cover of the battery compartment.

Insert two provided AAA batteries into the battery compartment making sure that the ends of the batteries with the negative(-) symbols are against the springs in the battery compartment.

Replace the battery compartment cover, making sure it snaps into position.

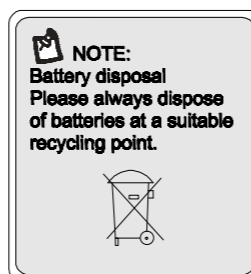
**! WARNING** Do not ingest batteries.

Non-rechargeable batteries are not to be recharged.  
Batteries are to be inserted with the correct polarity.  
Exhausted batteries are to be removed from the product.  
Always purchase the correct size and grade of battery most suitable for the intended use.

Replace all batteries of a set at the same time .

Clean the battery contacts and also those of the device prior to battery installation.

Remove batteries from equipment when not used for an extended period of time.



## Maintenance and Care



Always disconnect from the power supply before cleaning the heater.  
First turn off the main power.  
Then remove the electrical plug from the wall outlet.



Do not use this fireplace insert if any part of it has been under water.  
Immediately call a qualified service technician to inspect the firebox and replace any part of the electrical system which has been underwater.

- The blower motor and flame motor are pre-lubricated for a durable using time and need no further lubrication or maintenance. To remove any accumulation of dust or debris, the soft brush attachment of a vacuum cleaner should occasionally be used to clean the outlet grille of the fan heater.
- Use a soft, clean cloth that will not scratch the surface when dusting.
- Use a clean soft cloth dampened with warm water to clean the fireplace surface.
- Do not use household or abrasive cleaners, as these products may damage the surface.
- When cleaning the glass viewing screen use a non-abrasive damp cloth with liquid cleaner or soft soap if necessary; Don NOT use cleaning powders or any other substance with abrasives since these substances will scratch glass.
- Under no circumstances should this product be operated with a broken or chipped glass panel.
- Do not strike or slam the glass.
- In the event that your appliance is stained or otherwise damaged during use, we recommend that you call a professional to it.
- When not in use please unplug the cord from the outlet to prevent any damage or accidents.

# Troubleshooting



Problem	Solution
The unit does not turn on.	Check that the unit is fully plugged into a standard 120V outlet. Press the power button on the control panel.
Flame effect is on, but there is no flame effect.	Open the top and back panels to check if the flame spindle has fallen off from the spindle motor.
The heater does not blow warm air.	Make sure the set temperature is higher than the room temperature.
The heater does not work.	Turn all switches to the "OFF" position and unplug the unit from the wall outlet for 5 minutes. After 5 minutes plug the unit back into the wall outlet, and operate as normal.
Remote control does not work.	Use it closer to the unit / change battery.