

**USER'S MANUAL**  
**2PCS Bar Stools**  
**HW64223**

THIS INSTRUCTION BOOKLET CONTAINS **IMPORTANT** SAFETY INFORMATION. PLEASE READ AND KEEP FOR FUTURE REFERENCE.

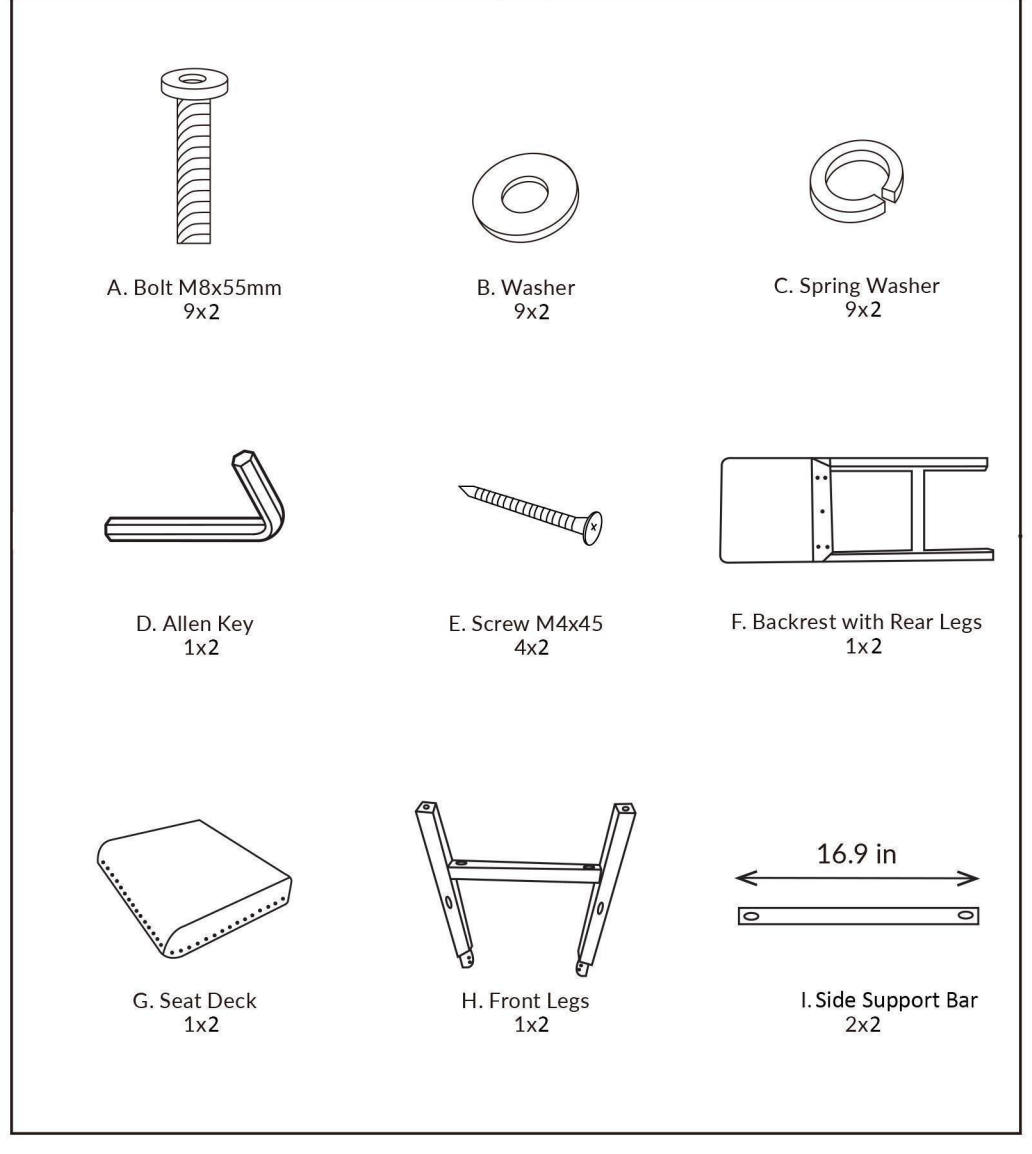
**Before You Start**



- ⦿ Read each step carefully before starting. It is very important to ensure each step followed in correct order, otherwise assembly difficulties may occur.
- ⦿ Most of board parts are labeled or stamped on the raw edges. Have a check to make sure all parts are included.
- ⦿ Work in a spacious area, preferably on a carpet close to where the unit will be used.
- ⦿ Keep the handtools close at hand. Do not use power tools to assemble your furniture. They may scratch or damage the parts.

**Parts List**

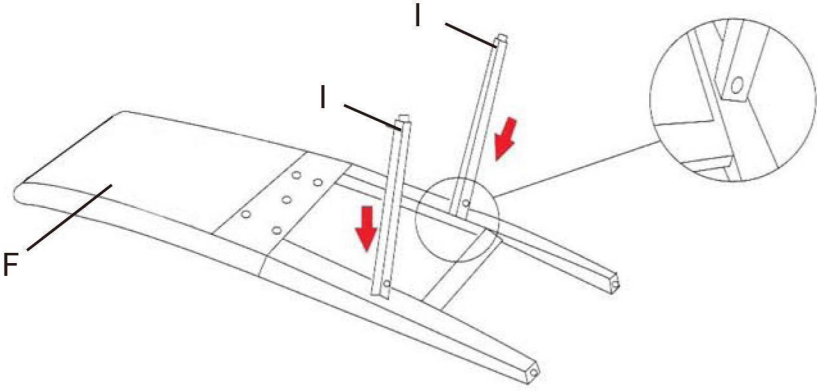
Not actual size



**PRODUCT ASSEMBLY**

**STEP 1**

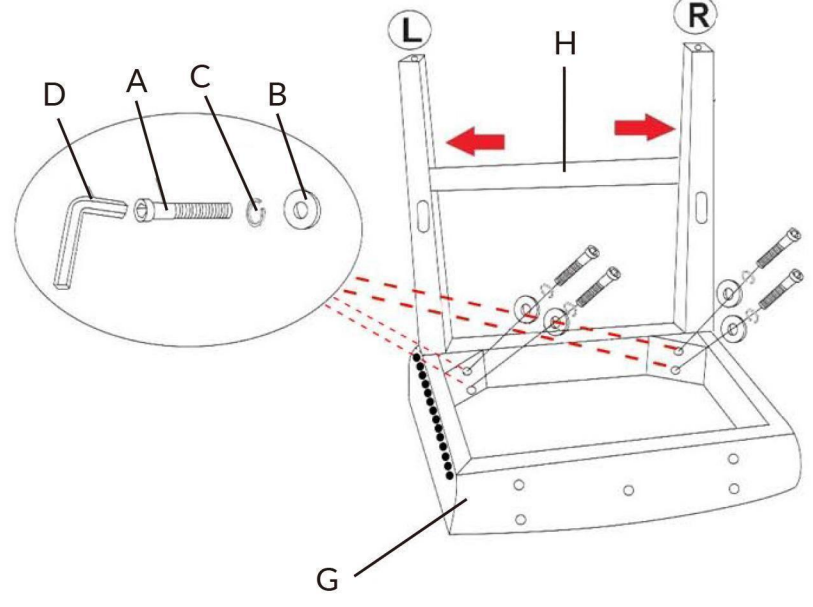
Attach Side Support Bar (I) to Backrest with Rear Legs (F) making sure the holes on the Side Support Bar (I) are facing down, towards the bottom of Backrest with Rear Legs (F).



**PRODUCT ASSEMBLY**

**STEP 2**

Attach Front Legs (H) to Seat Deck (G) using Bolt (A), Spring Washer (C) and Washer (B). Tighten using provided Allen Key (D).

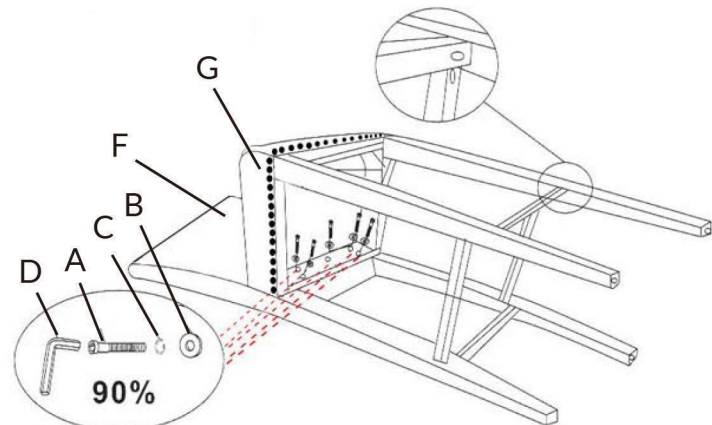


Put the screws in the holes, **loosen** the screws, but not too tight, 90% is ok.

**PRODUCT ASSEMBLY**

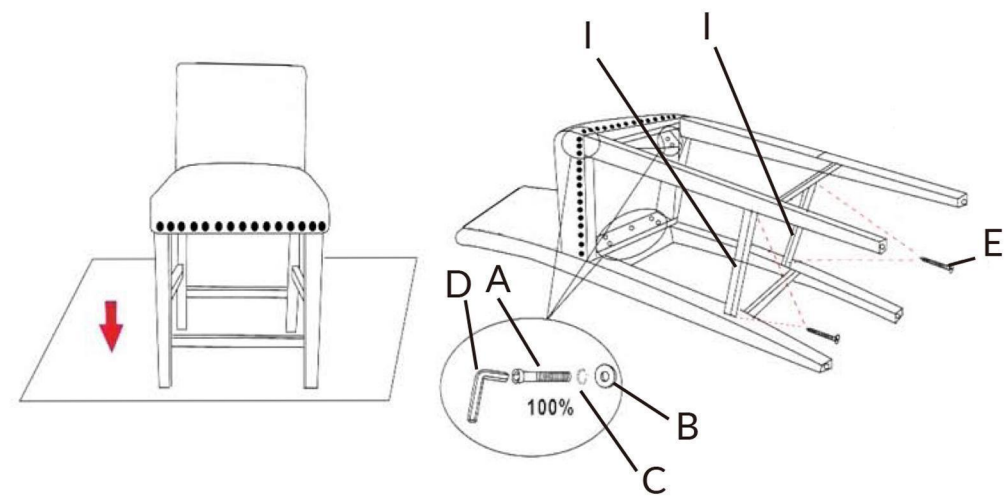
**STEP 3**

Attach Seat Deck (G) to Backrest with Rear Legs (F) using Bolt (A), Spring Washer (C) and Washer (B). Tighten using provided Allen Key (D).



**PRODUCT ASSEMBLY**

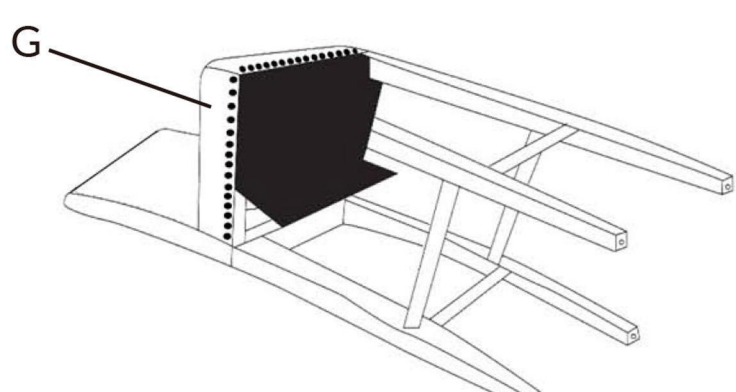
**STEP 4**



Then adjust the balance of the chair, **tighten** all the screws to 100%

**PRODUCT ASSEMBLY**

**STEP 5**



**PRODUCT ASSEMBLY**

**STEP 6**

