

INFINITY WALL HUNG BASIN

Cat. No
4-32X



Faucet not included



Mounting hardware

W: 19-3/4"
D: 15"
H: 5"

Interior Dimensions:

Basin Interior: 16-1/2" x 9-1/2"
Basin Depth: 3"
Spout hole: 1-3/8"

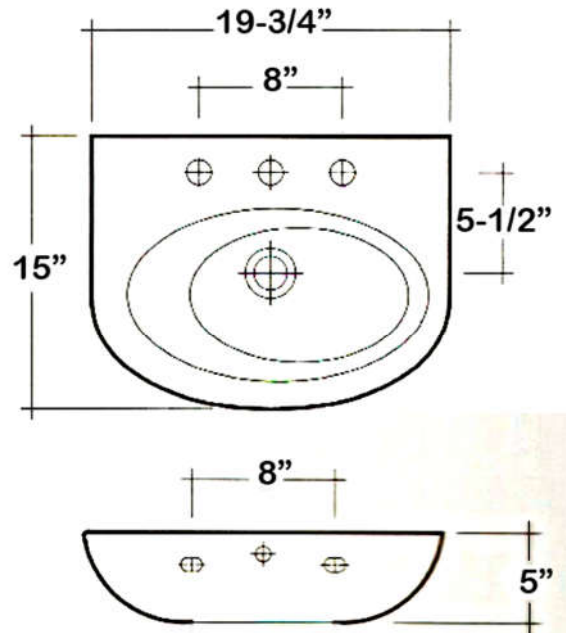
Features:

- ▶ Made of Vitreous China
- ▶ Wall hung basin
- ▶ Available with 1-hole (4-321) or 8" widespread (4-328)
- ▶ Pre-drilled overflow hole
- ▶ Mounting hardware included

Colors:

WH White

Meets or exceeds the following specifications: ASME A112.19.2 2013 and CSA B45.1-13 for ceramic plumbing fixtures.



Dimensions of fixture are nominal and may vary within the range of tolerances established by ASME Standard A112.19.2-2013. Dimensions and specifications subject to change without notice.