

INSTRUCTION MANUAL

Model: Y2301-1




Attention :

If you encounter any problems during installation or use, pls feel free to contact us on shopping platform. We will provide you with a satisfactory solution within 24 hours.

Dining chair

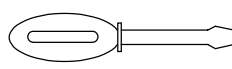
 1 - ITEMS DELIVERED-TECHNICAL DATA

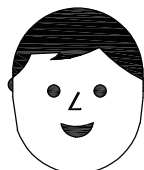
 2 - ASSEMBLY

 3 - CLEANING AND MAINTENANCE

 1 - ITEMS DELIVERED-TECHNICAL DATA


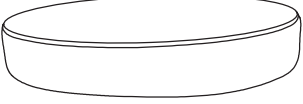

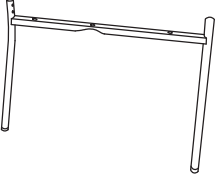

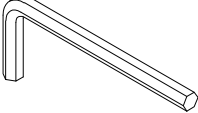
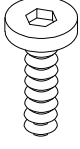
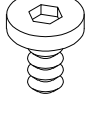
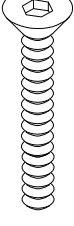
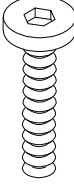

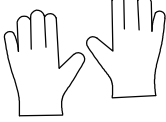


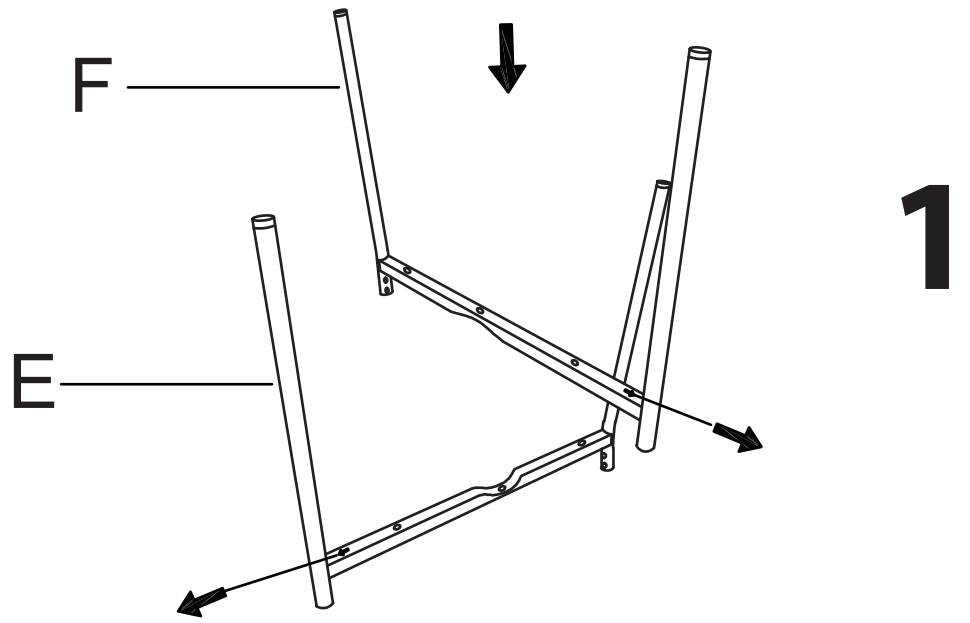
TO RISE

YOURSELF

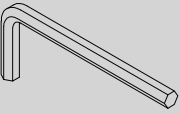

ASSEMBLY

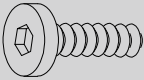


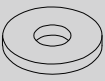
2 - ASSEMBLY

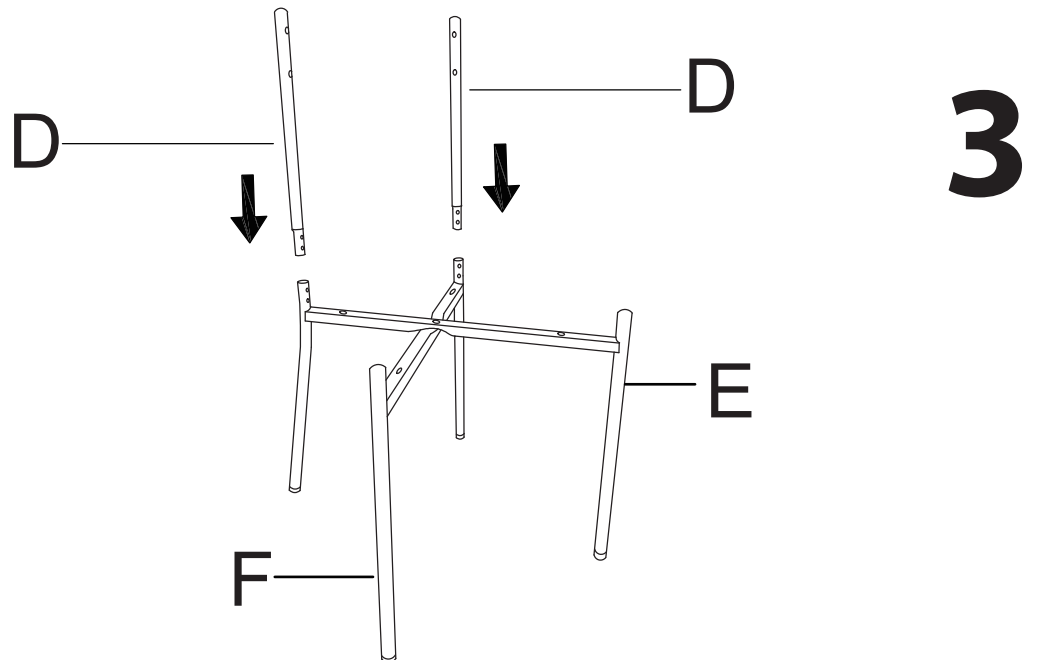
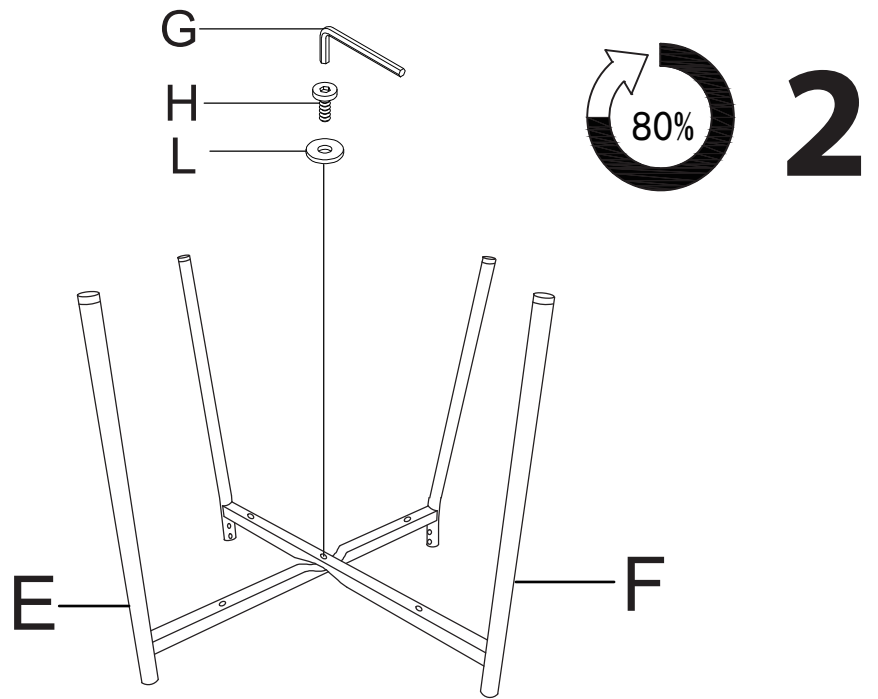
 (A)*1	 (C)*1
 (D)*2	 (E)*1
 (F)*1	 (G)*1 4#
 (H)*1 M6*20	 (I)*4 M6*13
 (J)*4 M6*45	 (K)*4 M6*35
 (L)*5 $\varnothing 6 * \varnothing 16 * 1.5$	 (M)*1

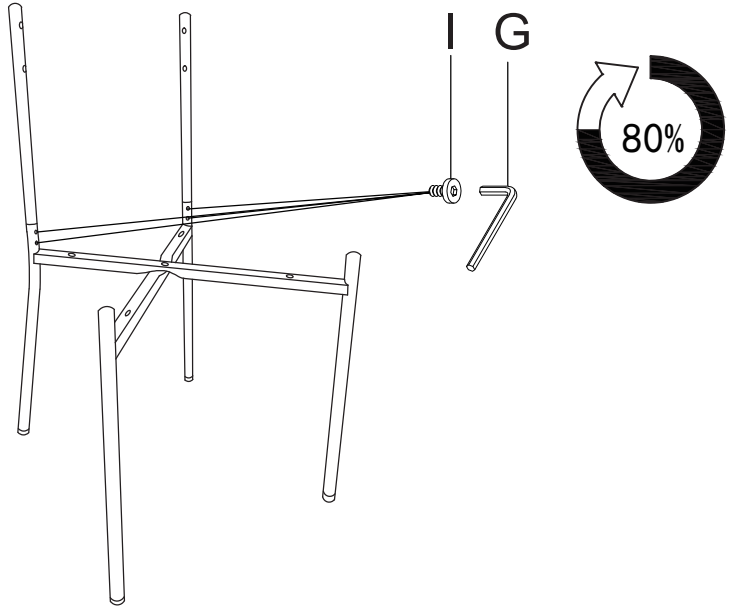
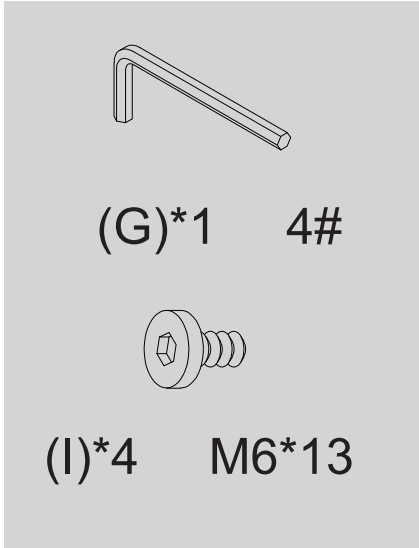



(G)*1 4#

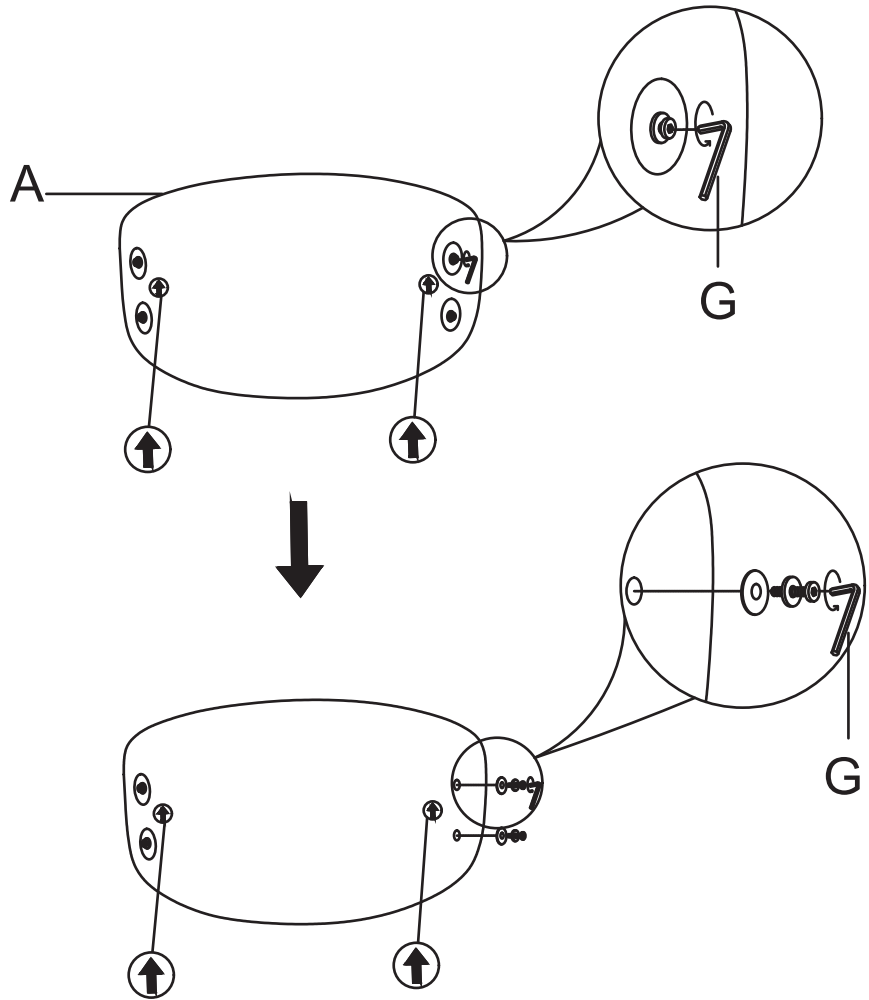
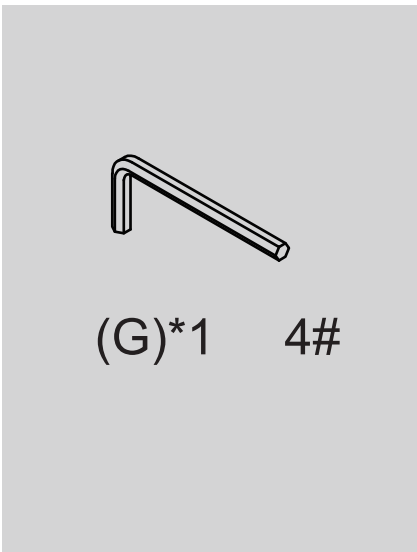

(H)*1 M6*20


(L)*1 $\varnothing 6 \times \varnothing 16 \times 1.5$



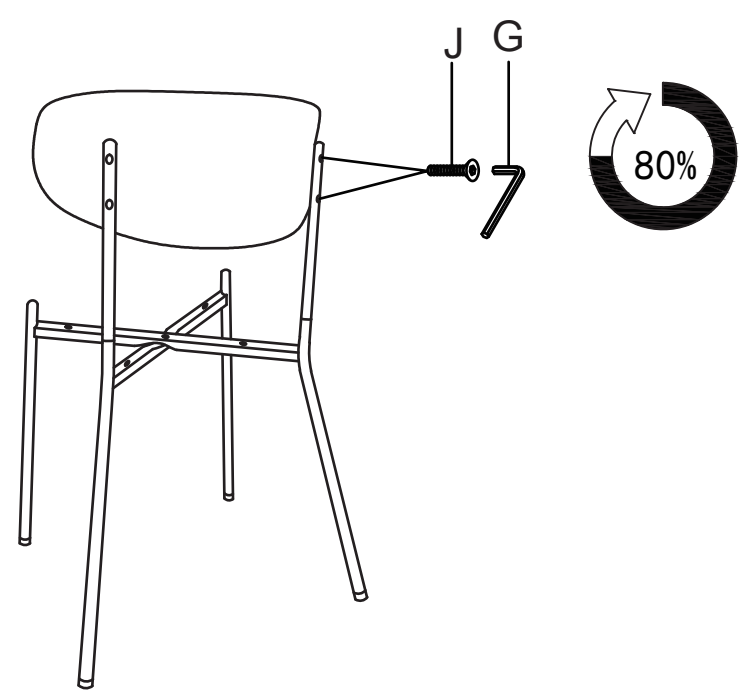
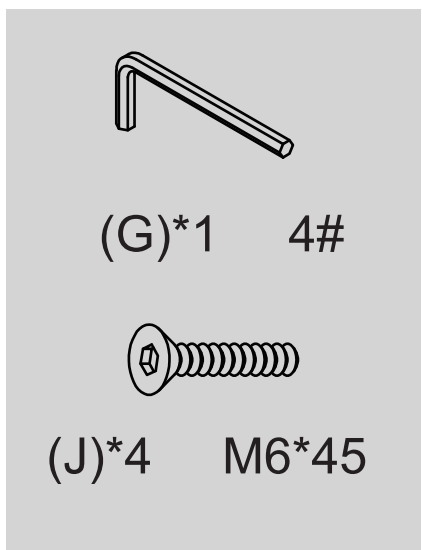


4

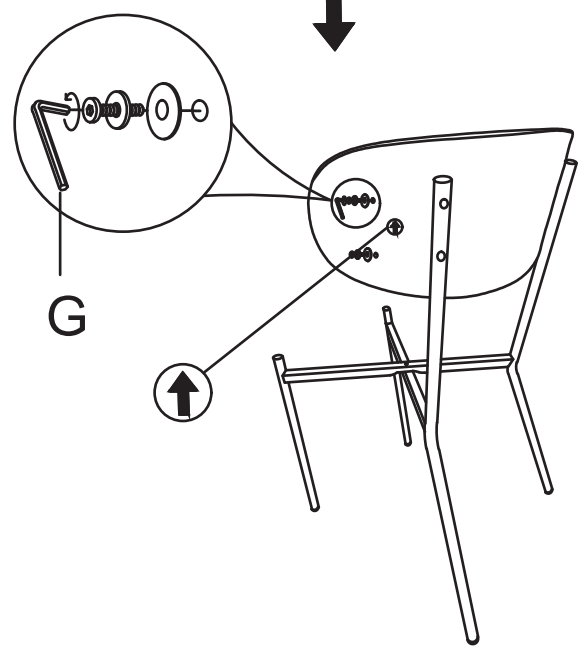
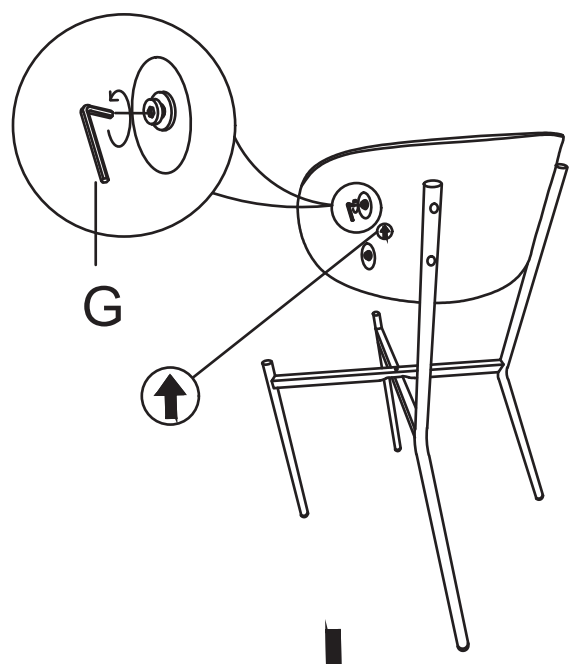
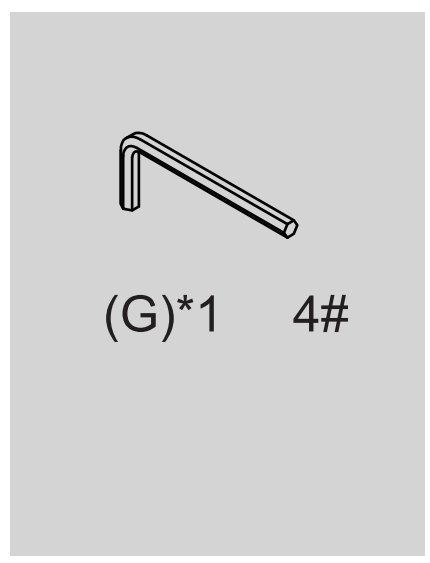


5

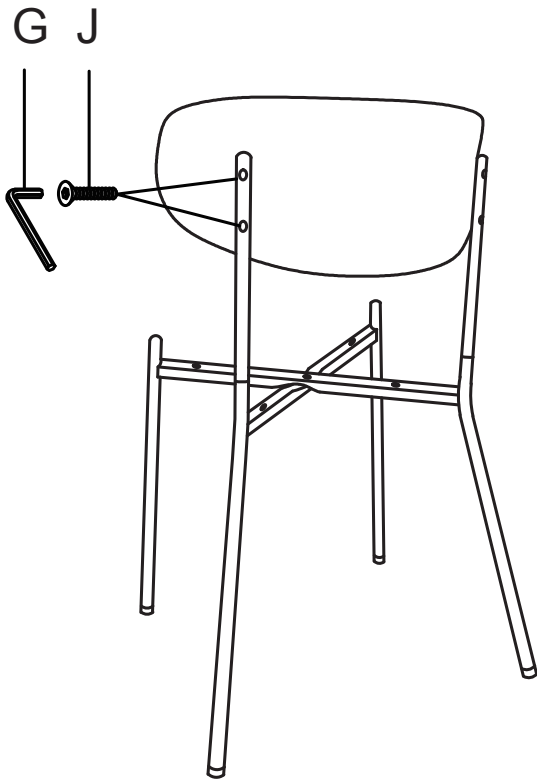
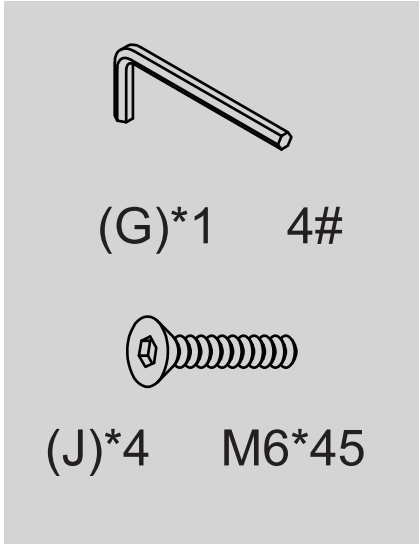
6



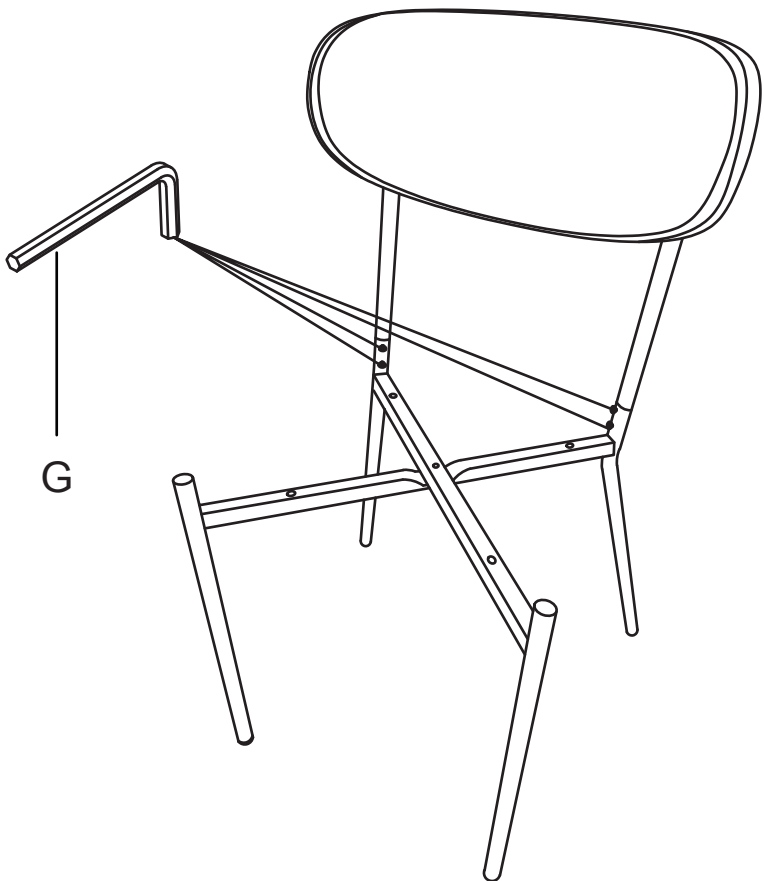
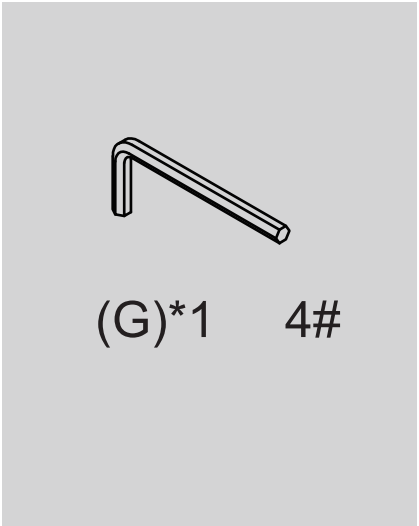
7



5



8

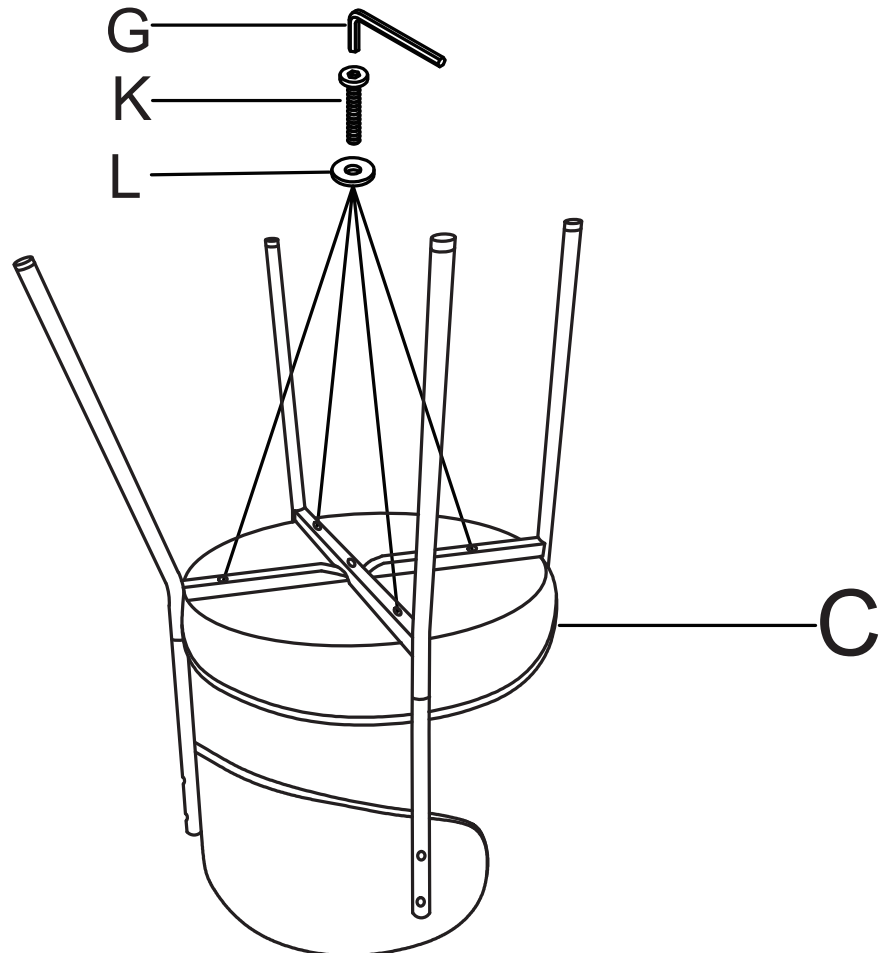
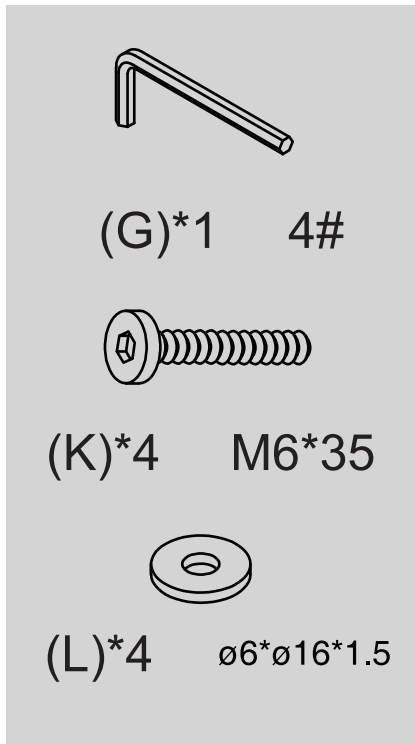


9



10

The final step is to assemble all screws 100%



3 - CLEANING AND MAINTENANCE

- Do not use corrosive or abrasive for cleaning products.
- Clean with a soft cloth
- Don't interfere with metal objects in a mechanism, so that they are threatened with serious deterioration.