



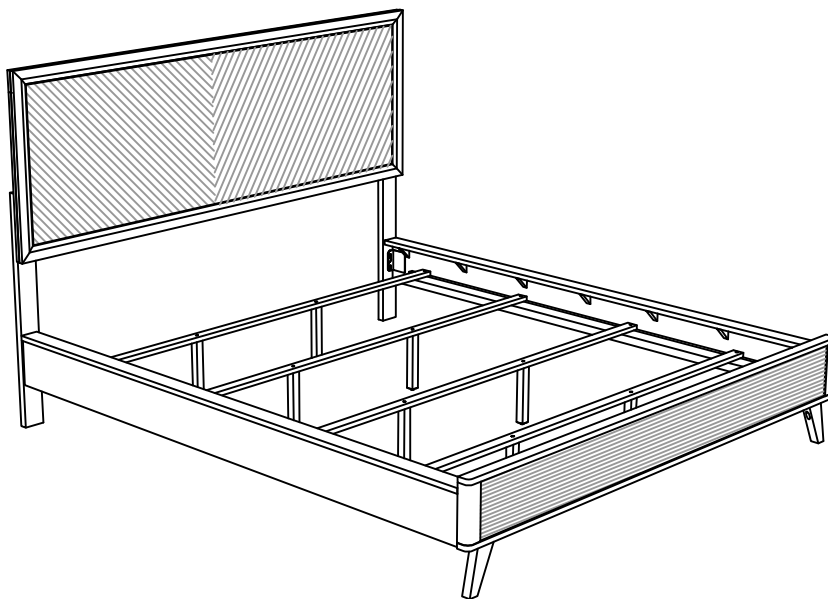
# ASSEMBLY INSTRUCTIONS

MODEL #

**CM7472-CK**

## Questions?

GIVE US A CALL: 1-888-980-5122  
MON – FRI 8:30AM – 5:30PM (PT)



## TOOLS REQUIRED



Allen Wrench

(Included)



Phillips  
Screwdriver

(Not Included)



**2 - People  
Recommended**

## ASSEMBLY RATING



EASY → DIFFICULT

The Assembly Rating is a 5-point system showing the level of effort needed to assemble a specific product.




FOA Intro

Thank you for your purchase!


We hope you enjoy this new addition to your home for many years to come.

Our commitment to providing quality products does not simply end when you purchase our product. We fully stand behind our products from start to finish. Our customer service department is available Monday – Friday 8:30 AM – 5:30 PM Pacific Time and can help with assembly questions as well as, if necessary, replacing damaged or missing parts. To help expedite our service, please have these assembly instructions readily available, along with your order receipt.

 **Consumer Hotline**  
Toll-Free 1-888-980-5122

 **WEBSITE**  
[www.foagroup.com](http://www.foagroup.com)

    foagroup

 **Monday to Friday**  
8:30AM- 5:30PM (PT)

 **E-MAIL**  
[cs.ec@foagroup.com](mailto:cs.ec@foagroup.com)

 FurnitureOfAmerica

---

## CHECK BEFORE STARTING

**Are you missing anything?**  
Double-check all parts, hardware and accessories listed are all accounted for.

**Should we send any replacements?**  
Are there any irregularities or flaws in the parts? We can send replacements!

**Check out our Quick Tips!**  
We recommend reviewing the pre-assembly handouts. Even experts need a refresher now and then!

**Prep Time!**  
Please review the assembly instructions and all diagrams prior to assembling.

# PRE ASSEMBLY INTRODUCTION

We understand building ready-to-assemble furniture can be a challenging experience for some. To help avoid confusion, we have provided some helpful tips that may speed up the process.



## Teamwork

ALWAYS have at least two people to help with transporting and assembling the product to avoid potential injury and/or damage.



## Suitable Location

Assembling near the area of the intended location is highly recommended.



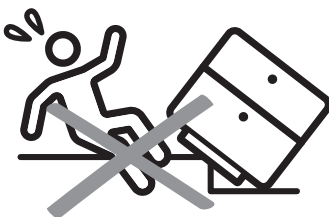
## Sufficient Space

Make sure you have enough space to move around during the assembly.



## Avoid Scratches

Use cardboard, blankets or a carpeted area while assembling furniture to prevent to prevent scratches and damages.



## Flat Surface

Make sure the furniture rests on a flat and level surface with each leg evenly touching the floor.

# ASSEMBLY AND CARE ADVICE



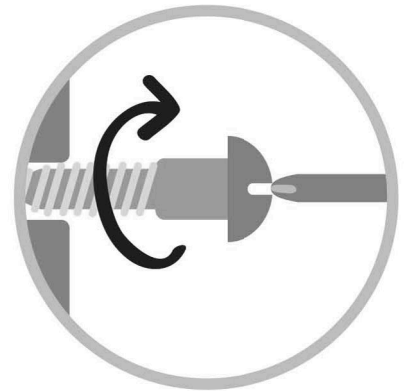
**FAILURE TO FOLLOW THE GUIDELINES BELOW MAY RESULT IN INJURY AND/OR PROPERTY DAMAGE.**



Position each part correctly and insert screws or bolts into their respective holes.



Use the appropriate hand tools or power tools for assembly. Select steps, such as tightening screws and/or bolts, may require hand tools to avoid causing damage during assembly.



Turn clockwise to tighten and only tighten when step is completed or when instructed to do so.



Save the instructions and store any supplied tools for later maintenance.



After two weeks, check and tighten any loose hardware and repeat again every six months thereafter.

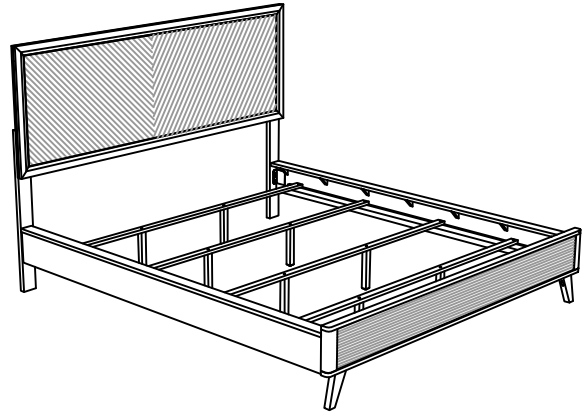
**IT IS THE USER'S RESPONSIBILITY TO MAINTAIN THE FURNITURE. THE HARDWARE MAY LOOSEN OVER TIME AND MAY CAUSE THE FURNITURE TO BE WOBBLY AND UNABLE TO SUPPORT ITS INTENDED WEIGHT CAPACITY. THIS MAY LEAD TO COLLAPSE AND MAY CAUSE SERIOUS INJURY.**

# CALIFORNIA KING SIZE BED

CM7472-CK

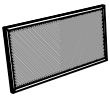


- Please keep instructions for future reference.
- Check the quantity and irregularity of parts and hardware before you start.



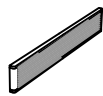
## PARTS

#1 1pc



Headboard

#2 1pc



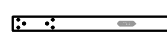
Footboard

#3 2pcs



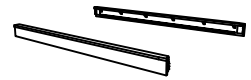
Footboard Leg

#4 2pcs



Headboard Leg

#5 2pcs



Side Rail

#6 4pcs



Bed Slat  
-1951 x 45 x 18mm

#7 8pcs

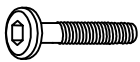


Bed Slat Support  
-225 x 30 x 30mm

## HARDWARE

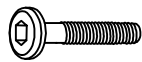
### HARDWARE INSIDE HEADBOARD

#A 4pcs



Bolt 1/4" x 1-3/8"

#B 2pcs



Bolt 1/4" x 1-9/16"

#C 6pcs



Lock washer

#D 6pcs



Flat washer

#E 16pcs



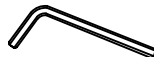
CSK m4 x 32mm

#F 2pcs



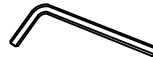
Wood Dowel  
8 x 30mm

#G 1pc



Allen Key M4

#H 1pc



Allen Key M5

### HARDWARE INSIDE C.KING SIDE RAIL

#I 16pcs



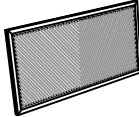
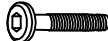
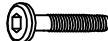
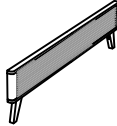







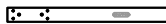


Pan Head Screw  
m3.5 x 12mm

#J 8pcs



L-Bracket

## CM7472-CK is packed in 2 cartons

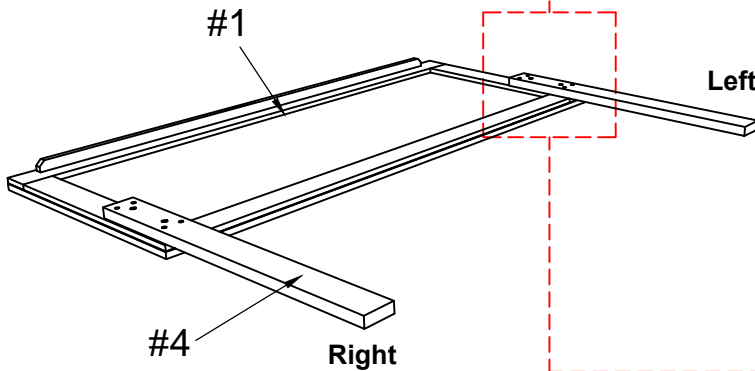
Carton	Designation	Part		Hardware
<b>CM7472-K-HBFB</b>	<b>King Size Bed HB, FB &amp; HB Legs</b>	#1	 X 1	 #A x 4pcs  #B x 2pcs
		#2	 X 1	 #C x 6pcs  #D x 6pcs  #E x 16pcs
		#3	 X 2	 #F x 2pcs  #G x 1pc  #H x 1pc
		#4	 X 2	
		#6	 X 4	
		#7	 X 8	
		<b>CM7472-CK-R</b>	<b>CK Size Bed Rails</b>	#5

# ASSEMBLY INSTRUCTIONS

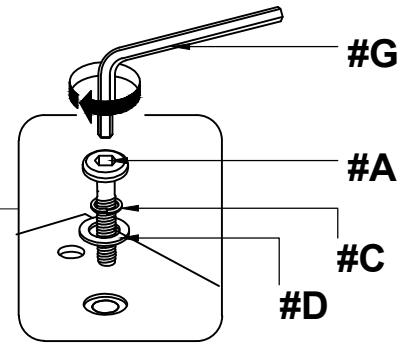
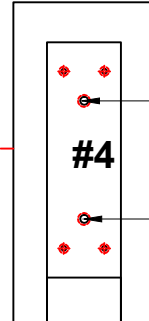
Align the Headboard Leg (#4) to the Headboard (#1). Secure at both center holes by using Bolt (#A) with lock washer (#C) and Flat washer (#D). Secure at the corner holes by using Screw (#E).

1

- Part #1 x1pc
- Part #4 x2pcs
- Hardware #A x4pcs
- Hardware #C x4pcs
- Hardware #D x4pcs
- Hardware #E x8pcs

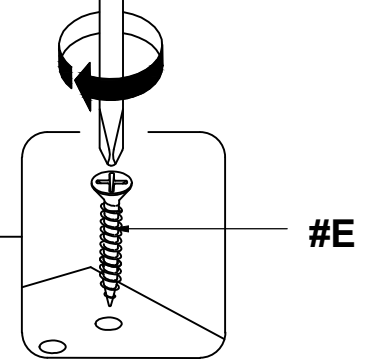
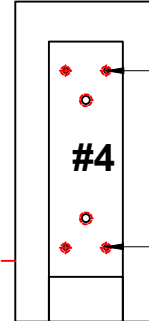


STEP 1.1 :



4x

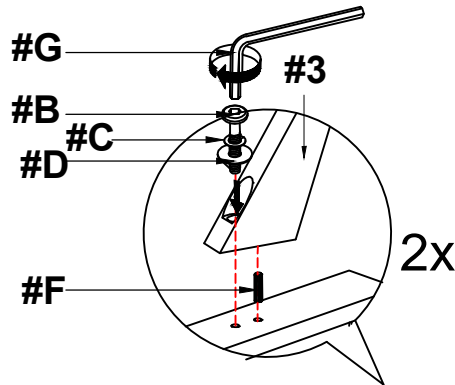
STEP 1.2 :



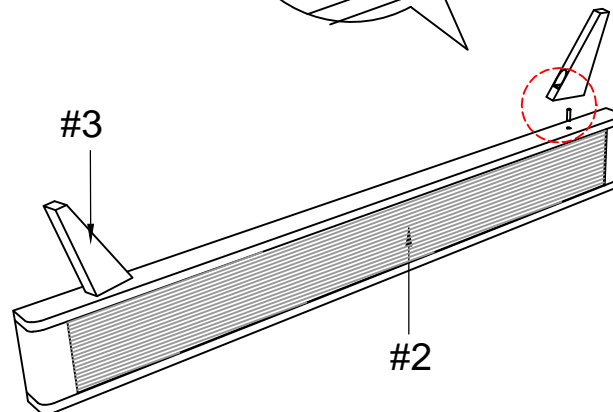
8x

2

- Part #2 x1pc
- Part #3 x2pcs
- Hardware #B x2pcs
- Hardware #C x2pcs
- Hardware #D x2pcs
- Hardware #F x2pcs



Attach the Wood dowel (#F) to the Footboard Leg (#3). Align the Leg (#3) to the Footboard (#2) and secure by using Bolt (#B) with Lock washer (#C) and Flat washer (#D).

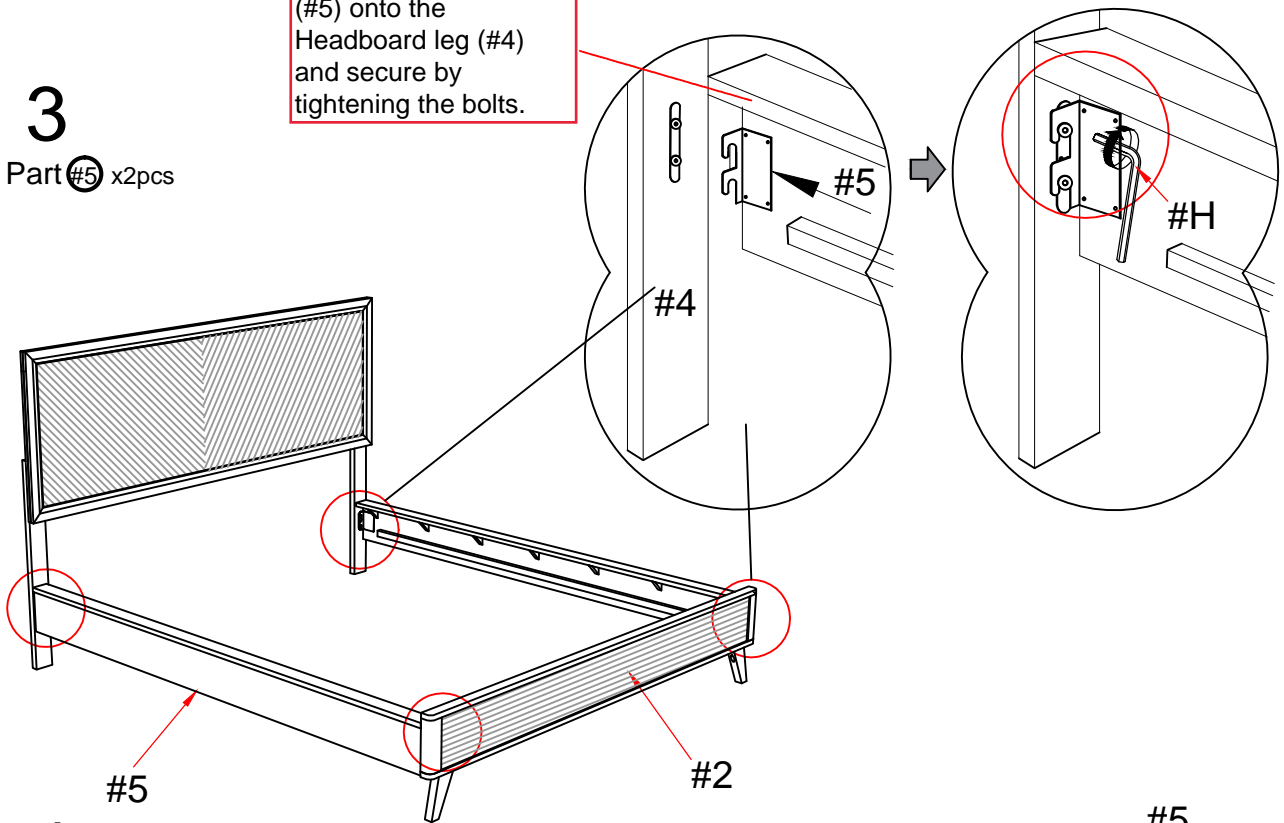


# ASSEMBLY INSTRUCTIONS

3

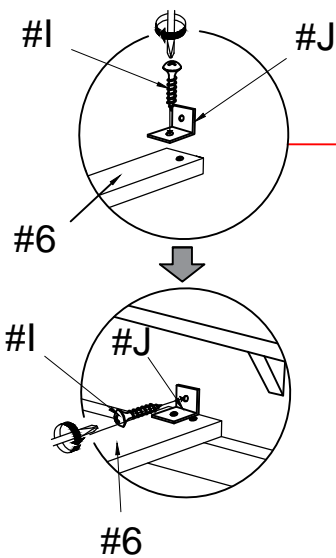
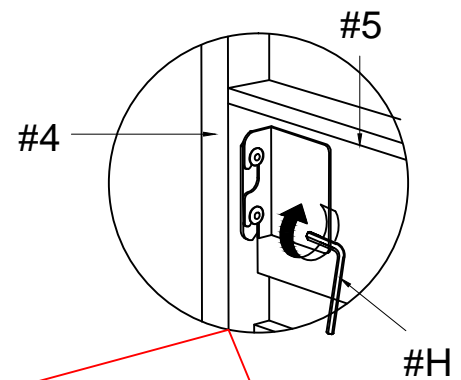
Part #5 x2pcs

Hook the Side Rails (#5) onto the Headboard leg (#4) and secure by tightening the bolts.

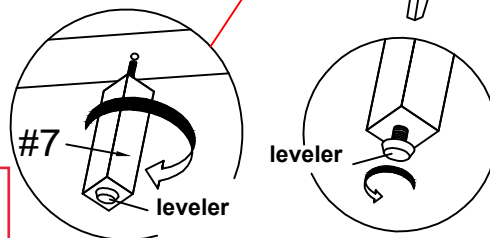


4

Part #6 x4pcs  
 Part #7 x8pcs  
 Hardware #I x16pcs  
 Hardware #J x8pcs



I. Twist the bed slat support (#7) onto the bed Slat (#6). II. Align the Bed slats (#6) to the Side rails and secure by using L- Bracket (#J) with Screw (#I).

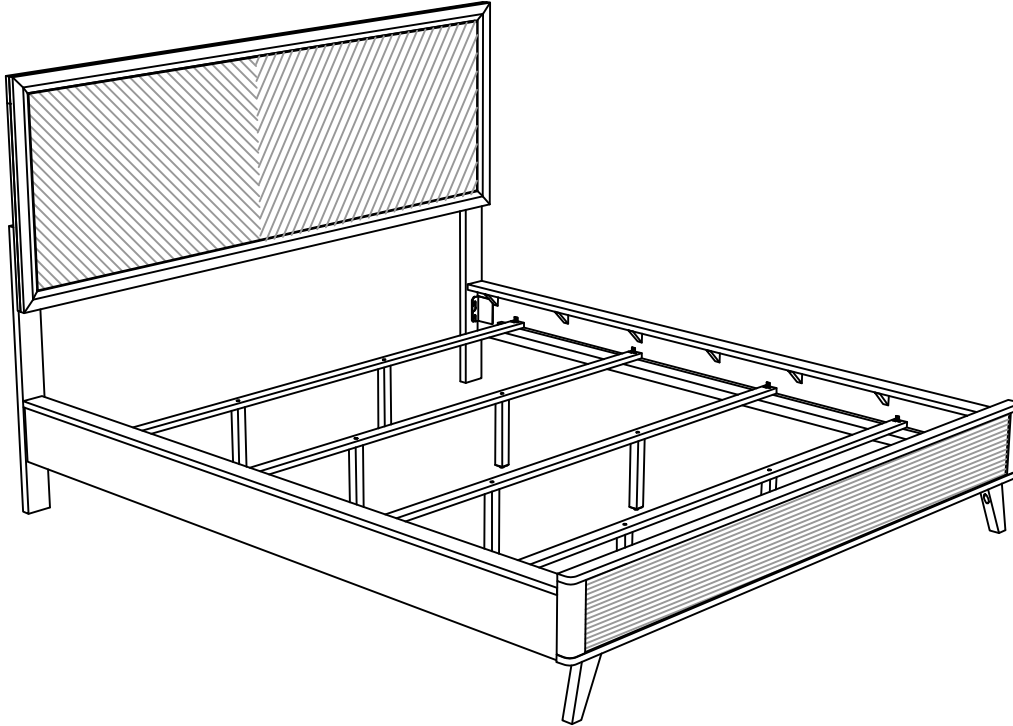


**Adjustable Glider**

Note: Adjust glider to be leveled to the floor.

# ASSEMBLY INSTRUCTIONS

5



## ASSEMBLY COMPLETED



Please ensure the furniture rests on an even and flat surface. If the product wobbles or feels loose, double-check all bolts and/or screws are properly tightened and secured.



### **Keep this handy!**

Please retain this instruction manual and any order-related information for future reference.



### **Lift, don't drag!**

To avoid damage to product please always LIFT the product when transporting or adjusting the placement.