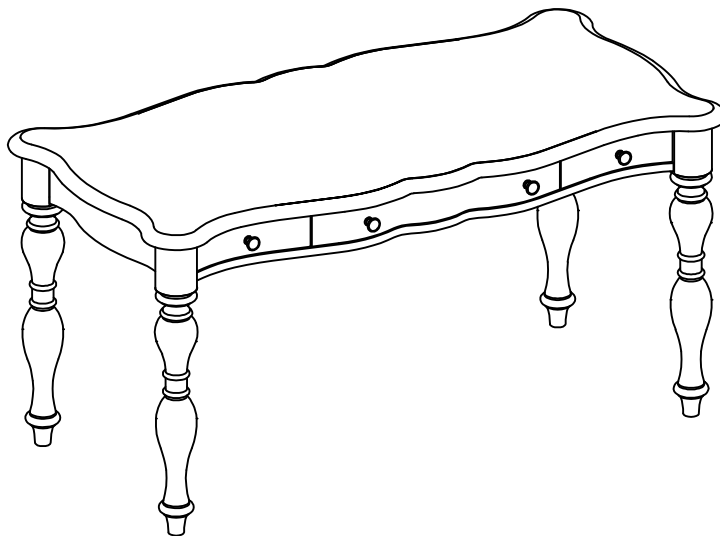
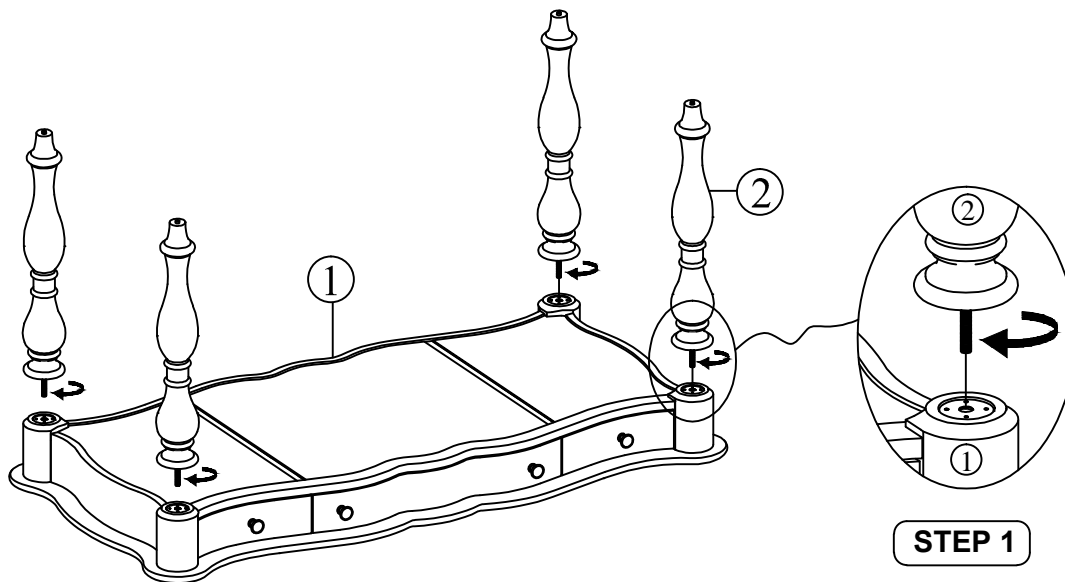


ASSEMBLY INSTRUCTION

DESCRIPTION : WRITING DESK

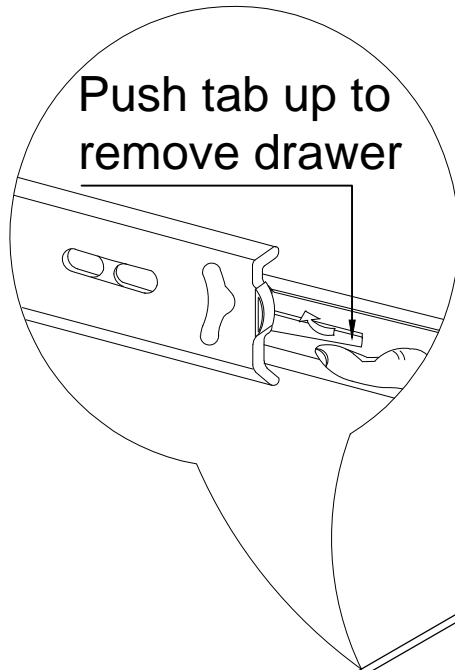
Thank you for purchasing this quality product. Be sure to check all packing material carefully for small Hardware which may have come loose inside the carton during shipment. Identify and count all Hardware and compare with the Hardware List Below.

Parts List		
No.	Description	Qty.
①	Table Top	1 Pc
②	Leg	4 Pcs



ASSEMBLY INSTRUCTION

DRAWER REMOVAL GUIDANCE



To remove drawer, simultaneously pull
tab up on one side and push down on
the other and remove drawer.

