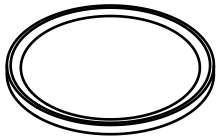


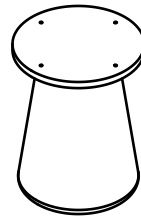
PARTS LIST

A



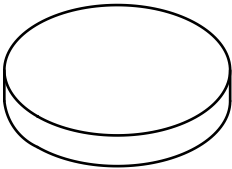
x1

B



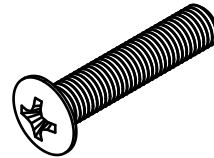
x1

C



x4

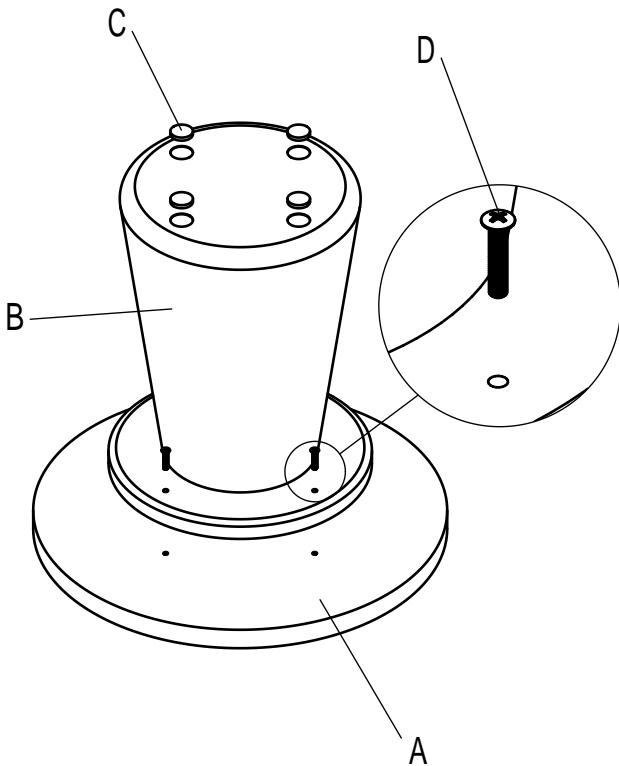
D



x4

INSTALLATION STEPS

STEP1



STEP2

