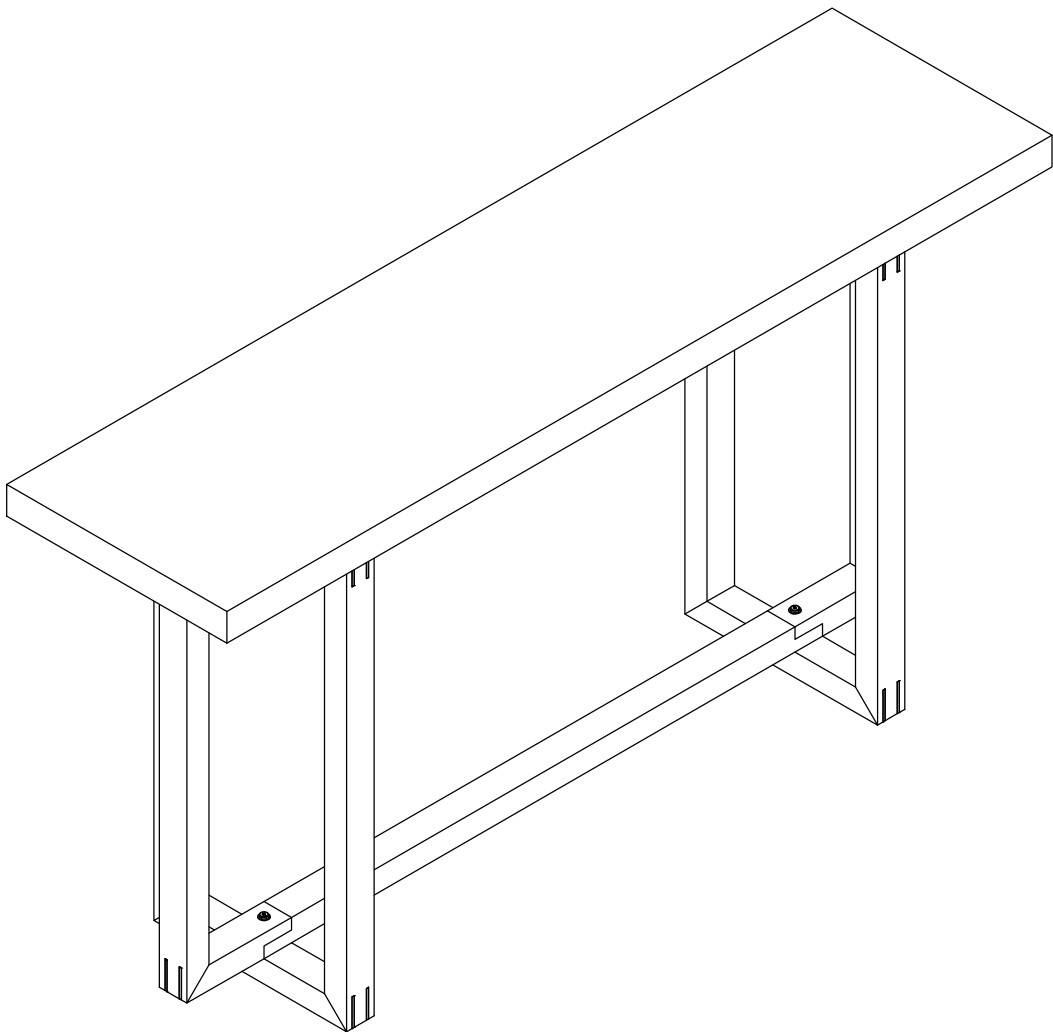
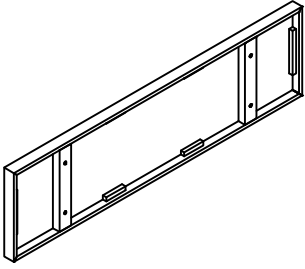
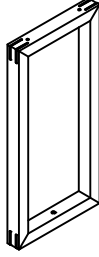
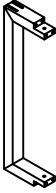
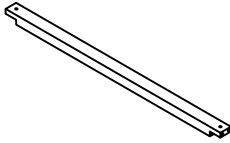


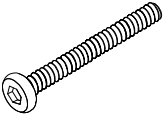



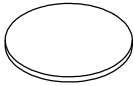
# Console Tables



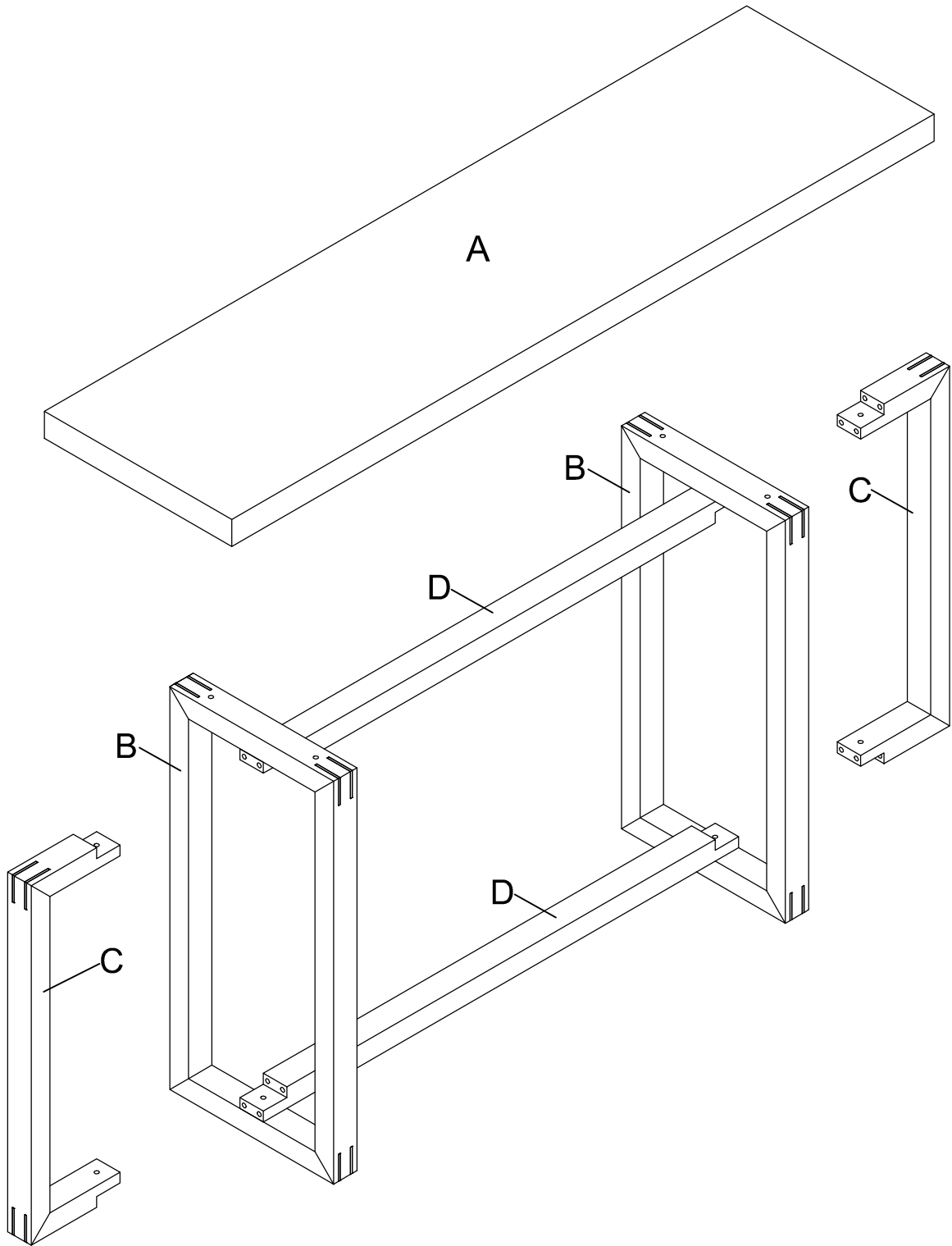
# PART LIST

<p><b>A</b></p> 	<p><b>B</b></p> 
<p>Top Panel</p> <p>1 PC</p>	<p>Side Standing Frame</p> <p>2 PCS</p>
<p><b>C</b></p> 	<p><b>D</b></p> 
<p>Middle Side Frame</p> <p>2 PCS</p>	<p>Middle Horizontal Bar</p> <p>2 PCS</p>

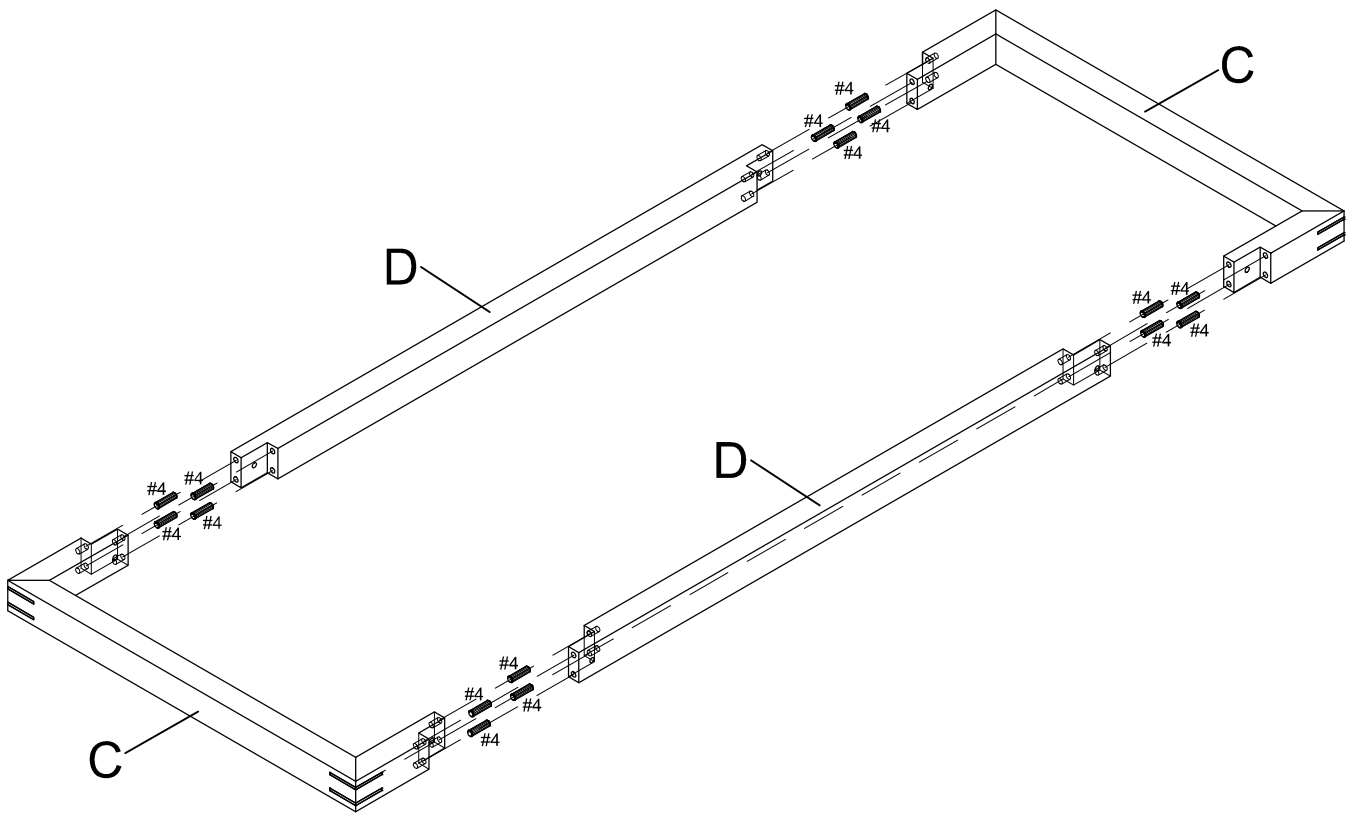
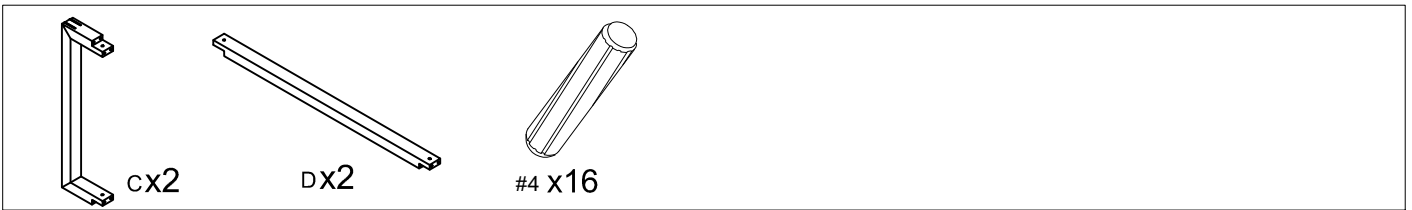
# HARDWARE LIST

<p><b>#1</b></p>  <p>M6*60mm Long Bolt</p>	<p><b>#2</b></p>  <p>Ø16*Ø7*1mm Small Flat Washer</p>	<p><b>#3</b></p>  <p>4mm Allen Wrench</p>	<p><b>#4</b></p>  <p>Ø8*30mm Wood Dowel</p>	<p><b>#5</b></p>  <p>Ø30mm EVA Stickers</p>
<p>8 PCS (Extra 1)</p>	<p>8 PCS (Extra 1)</p>	<p>1 PC</p>	<p>16PCS (Extra 2)</p>	<p>4 PCS (Extra 1)</p>

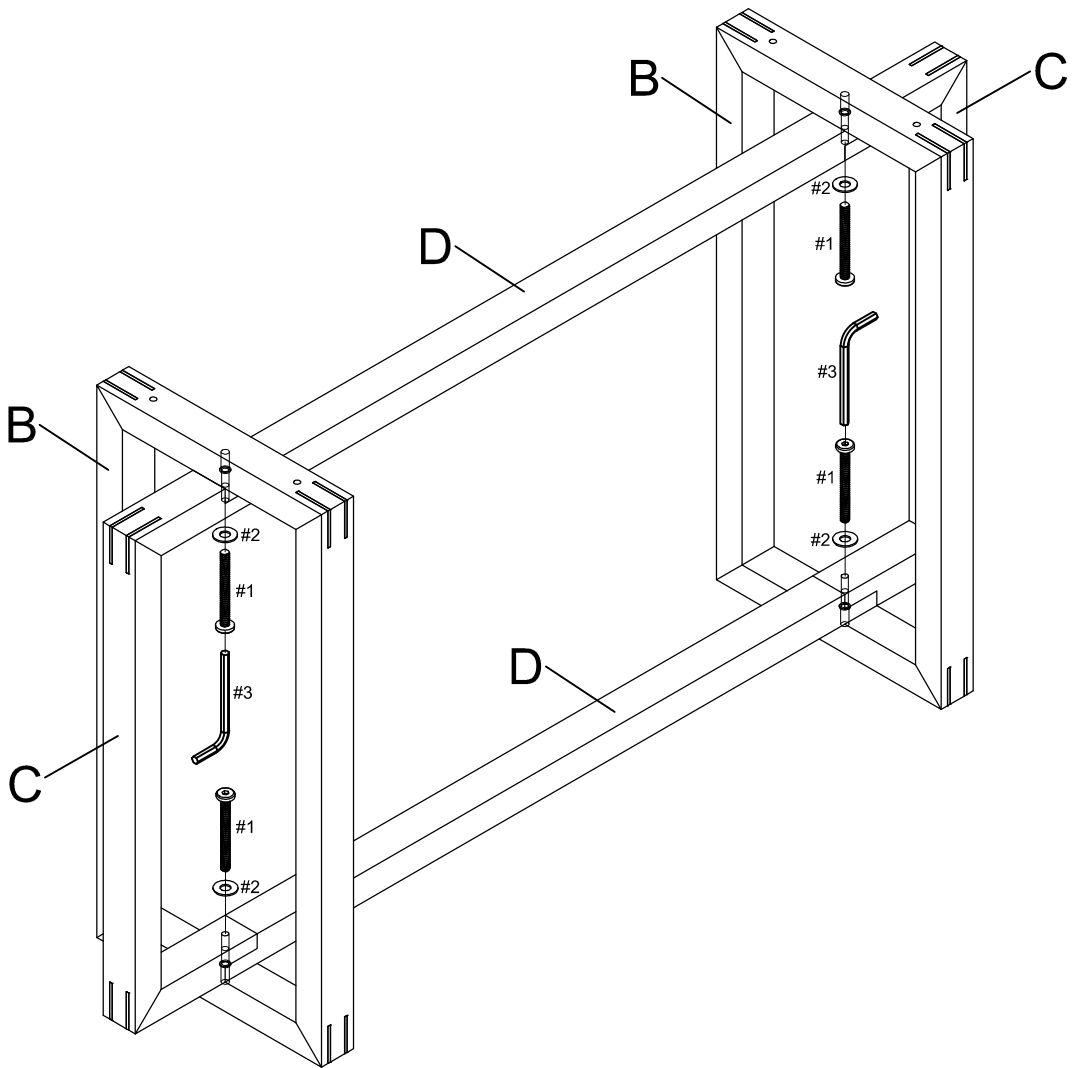
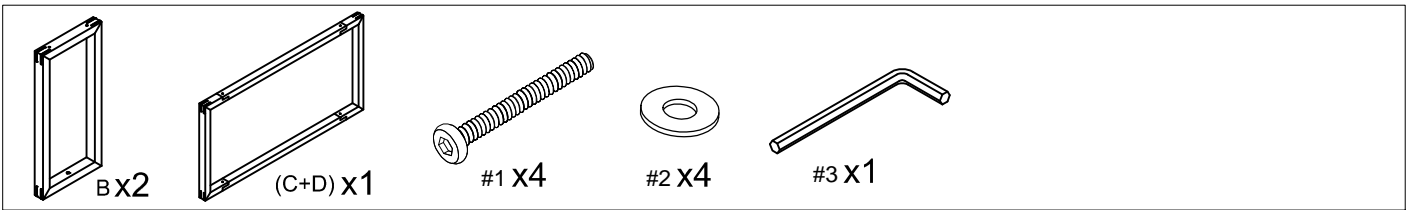
# ASSEMBLY OVERVIEW



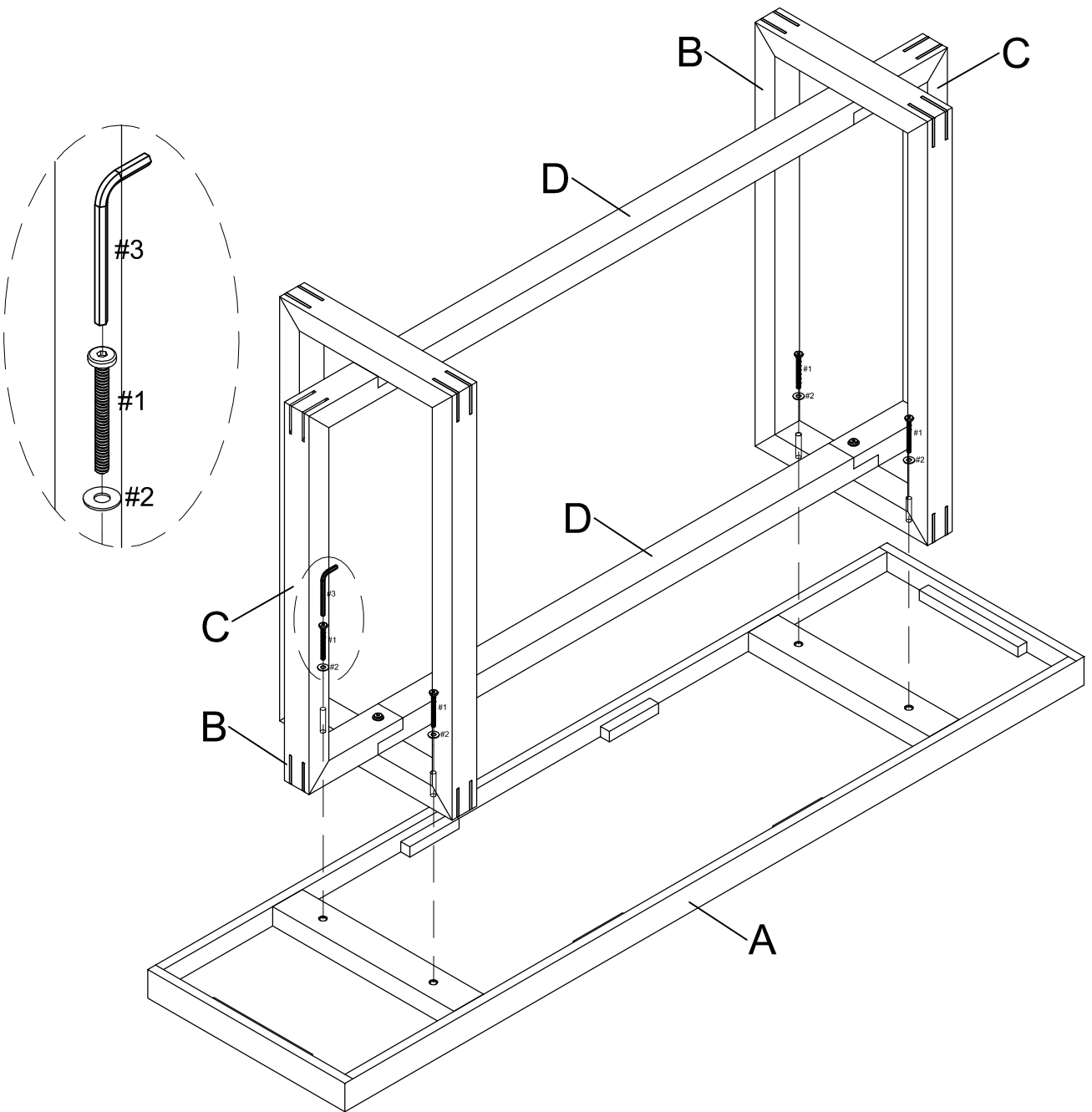
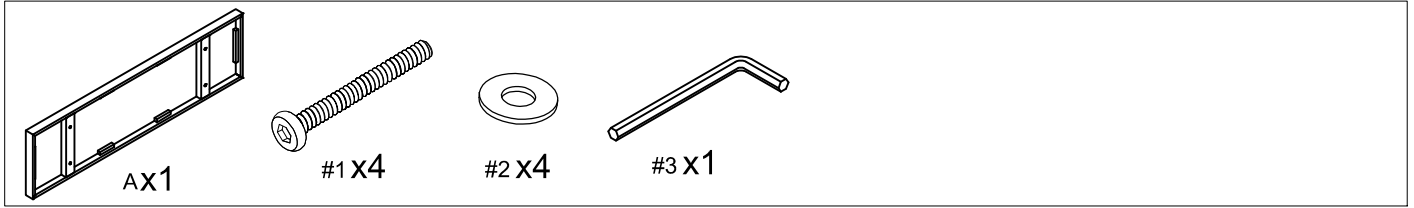
Step 1.



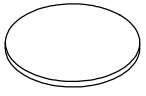
Step 2.



Step 3.



Step 4.



#5 x4

