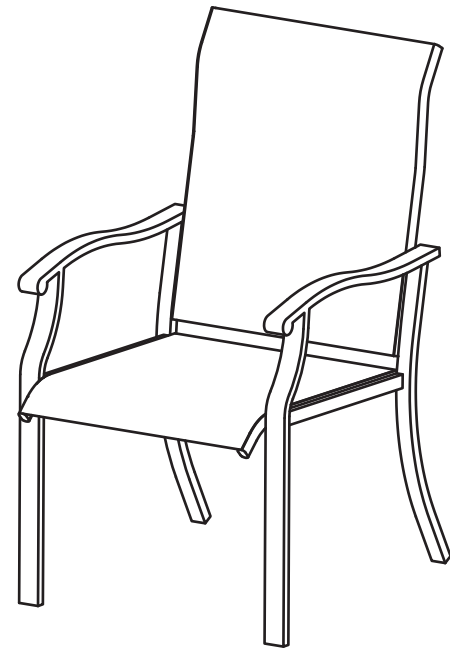




INSTRUCTION MANUAL



2PCS Textilene Patio Dining Chairs

Model : DC01

OUTERPRO CORP.

201 E Center st ste 112 #3500,
Anaheim CA 92805

If you have any questions, please contact us:

 Service@outerprocorp.com



THANK YOU for your trust

Dear Customer,


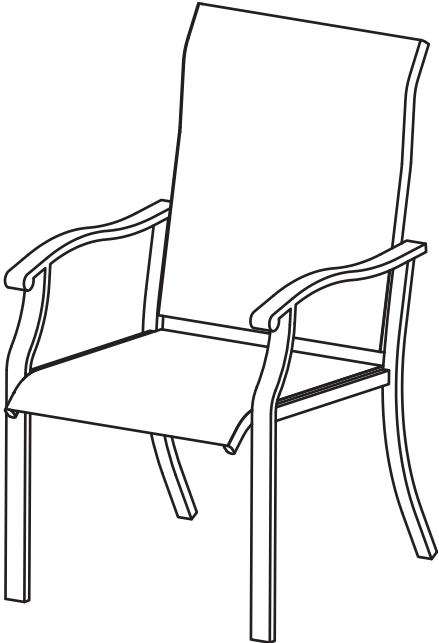








Thank you for choosing Sour Citrus to enhance your home and outdoor spaces. This product is thoughtfully designed to bring comfort and style to your space. Sour Citrus devotes to delivering exceptional quality and innovative outdoor furniture.

Before assembling or using this product, please inspect it for any damages and ensure that all parts and hardware are included. If you notice any issues, please refrain from using the item and contact our customer service at service@outerprocorp.com.

Should any parts be missing, kindly reach out to us, and we will promptly provide the necessary items.

This furniture is suitable for both indoor and outdoor settings. Please read and follow the assembly instructions carefully, and use the product as intended in this manual. Sour Citrus is not responsible for any damage resulting from improper use.

INSTALLATION STEPS

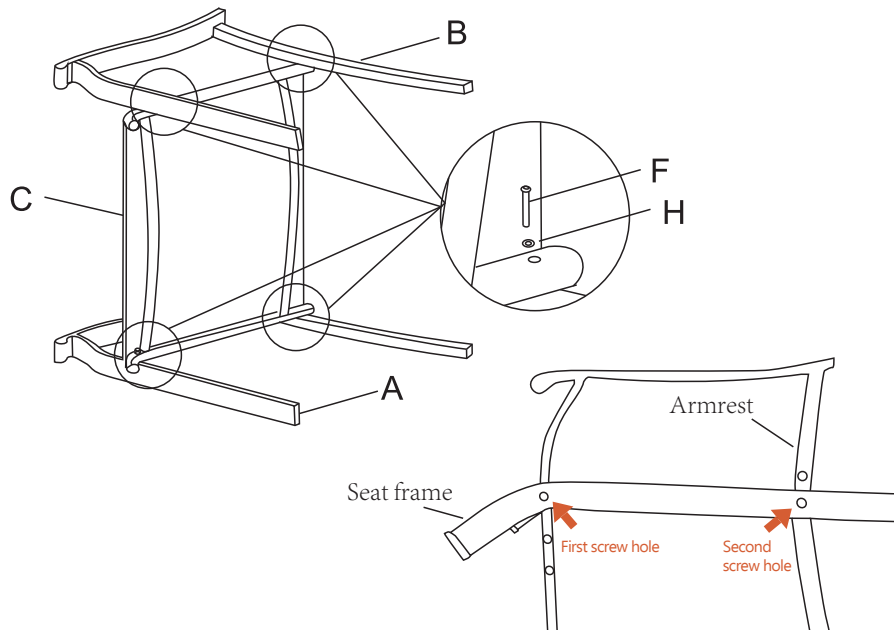
Tool used:			
	Part Number	Images and Sizes	Qty.
	A		2
	B		2
	C		2
	D		2
	E		2
	F	 M6*30	16
	G	 M6*15	8
	H		24

ASSEMBLY INSTRUCTIONS

! NOTE / NOTA

Please don't tighten any bolts until all bolts place correctly and the product is lying at. If you tighten one bolt, it may cause other bolts to get out of position.

Por favor, no apriete ningún tornillo hasta que todos los tornillos estén correctamente colocados y el producto esté tumbado. Si aprieta un tornillo, puede provocar que otros tornillos se salgan de su posición.



STEP 1

Attach the left armrest (A) and the right armrest (B) to the seat frame (C) using 4 bolts (F) and 4 washers (H).

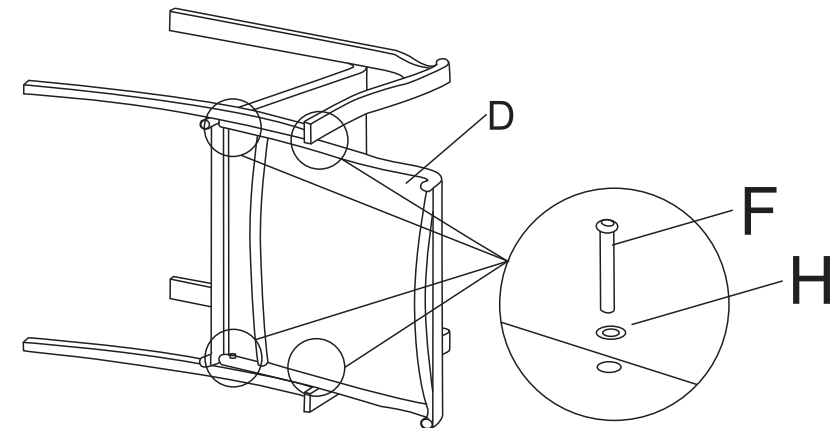
Fije el reposabrazos izquierdo (A) y el reposabrazos derecho (B) al armazón del asiento (C) con 4 pernos (F) y 4 arandelas (H).

ASSEMBLY INSTRUCTIONS

! NOTE / NOTA

Please don't tighten any bolts until all bolts place correctly and the product is lying at. If you tighten one bolt, it may cause other bolts to get out of position.

Por favor, no apriete ningún tornillo hasta que todos los tornillos estén correctamente colocados y el producto esté tumbado. Si aprieta un tornillo, puede provocar que otros tornillos se salgan de su posición.



STEP 2

Attach the back frame (D) to the left armrest (A) and the right armrest (B) using 4 bolts (F) and 4 washers (H).

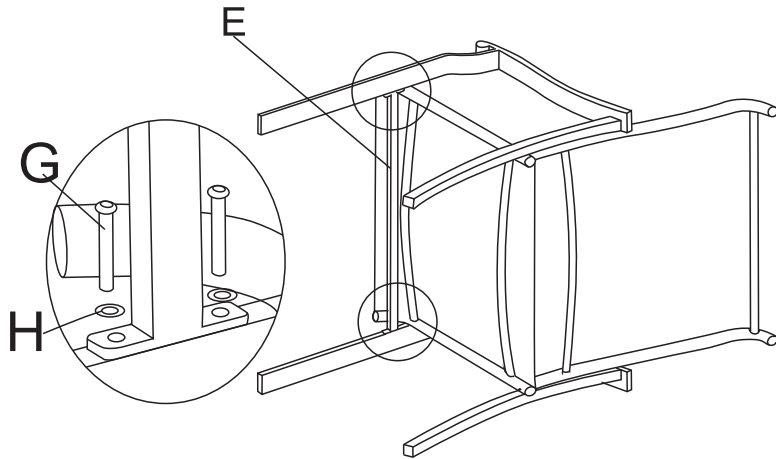
Fije el bastidor trasero (D) al reposabrazos izquierdo (A) y al reposabrazos derecho (B) utilizando 4 pernos (F) y 4 arandelas (H).

Upon completion of the whole assembly, all screws can be tightened down.

Una vez finalizado todo el montaje, se pueden apretar todos los tornillos.

ASSEMBLY INSTRUCTIONS

! NOTE / NOTA



STEP 3

Attach the supporting tube (E) to the assembly using 4 bolts (G) and 4 washers (H).
Fije el tubo de soporte (E) al conjunto utilizando 4 pernos (G) y 4 arandelas (H).

CARE AND MAINTENANCE

Follow the instructions for the product's material to ensure it stays in the best shape as long as possible. The information below is a general guideline. Don't hesitate to get in touch with us to learn more.

- Only rinse it thoroughly with clean water to wash away dirt and grime. Never use abrasive cleansers on the furniture since they can attack the surface and leave behind scratch marks.
- For stubborn grime and stains, use a soft sponge and mild soapy water. Then dry it with a cloth or paper towel.
- Check the stability of the screws, nuts, and nut caps before each use. Then, tighten them up after one to two months' use whenever required.
- Avoid improper use, and be careful not to scratch or damage the surface with sharp objects.
- When you move your furniture, lift it rather than pulling or pushing it to avoid damaging the floor, legs, and mounting

CUSTOMER SERVICE

Thanks for purchasing Sour Citrus furniture. We are here to help you maximize your enjoyment and appreciation of it.

Please do not hesitate to contact our customer service if you have any questions regarding assembly or accessories.

Address: 201 E CENTER ST STE 112 #3500, ANAHEIM CA 92805.

E-mail: service@outerprocorp.com

