

6 Drawers Dresser

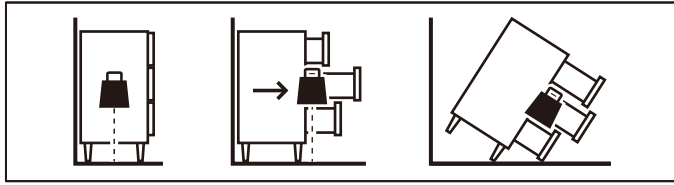
Assembly Instructions

Montageanleitung

Instrucciones de ensamblaje

Instructions de montage

Istruzioni di montaggio



English

WARNING

Serious or fatal crushing injuries can occur from furniture tip-over. **ALWAYS** secure this furniture to the wall using tip-over restraints. To further reduce the risk of serious injury and death from tip-overs:

- Place heaviest items in the lower drawer.
- Do not set TVs or other heavy objects on top of this product.
- Never let children climb or hang on drawers, doors, or shelves.

Deutsch

ACHTUNG

Umfallende Möbelstücke können lebensgefährlich sein. Um diesem Risiko zu entgehen, muss das Möbel **UNBEDINGT** mit dem beige packten Kippschutz an der Wand befestigt werden. Um das Risiko schwerer oder gar tödlicher Verletzungen durch umkippende Möbelstück weiter zu mindern, bitte Folgendes beachten:

- schwere Gegenstände immer in Bodennähe aufbewahren.
- Fernsehgeräte oder andere schwere Geräte niemals auf das Produkt stellen.
- Kindern niemals erlauben, auf Schubladen, Türen und Regale zu klettern oder sich daranzuhängen.

Español

ADVERTENCIA

Si el mueble vuelca, puede provocar lesiones muy graves e incluso mortales. **Fija SIEMPRE** este mueble a la pared utilizando los accesorios antivuelco. Para reducir aún más el riesgo de lesiones graves o incluso mortales causadas por el vuelco del mueble:

- Guarda los objetos más pesados en el cajón inferior.
- No pongas un TV u otros objetos pesados encima de este producto.
- Evita que los niños suban encima del mueble o se cuelguen de los cajones, las puertas o los estantes.

Français

ATTENTION

Risque de blessures graves ou mortelles en cas de basculement du meuble. **TOUJOURS** fixer ce meuble au mur à l'aide des fixations antibasculement. Pour encore réduire les risques de blessures graves ou mortelles dus au basculement du meuble:

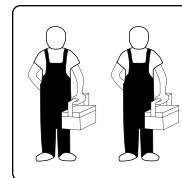
- Placer les objets les plus lourds dans le tiroir du bas.
- Ne jamais laisser les enfants grimper ou s'accrocher aux tiroirs, portes ou tablettes.

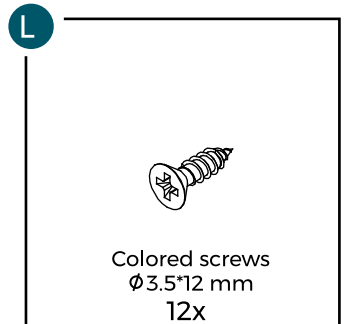
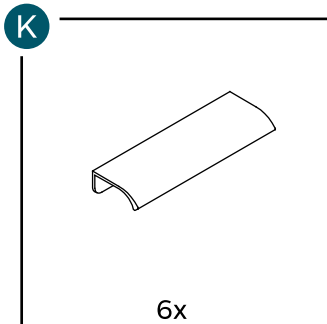
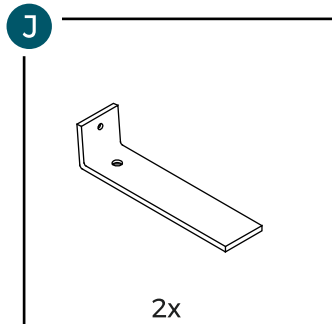
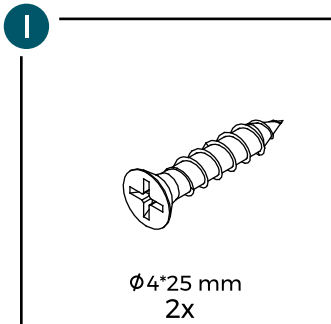
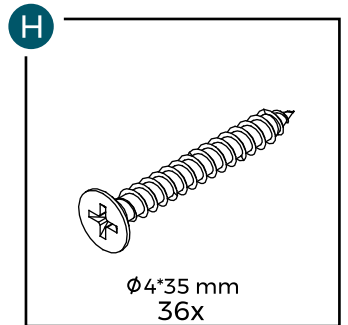
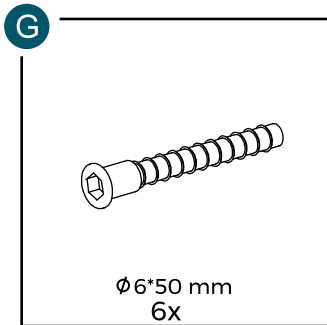
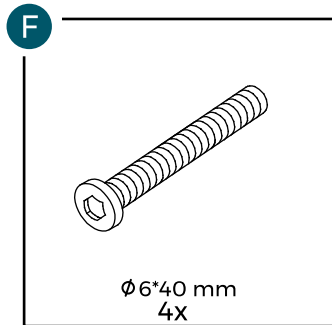
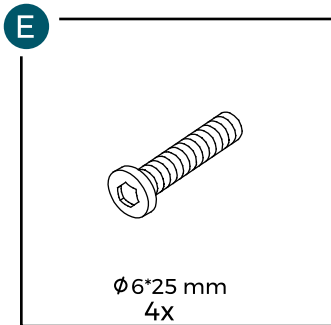
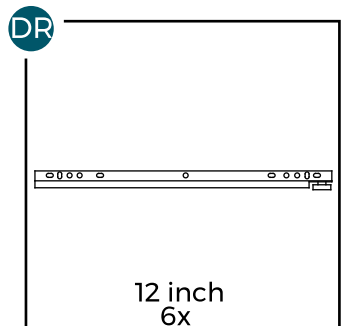
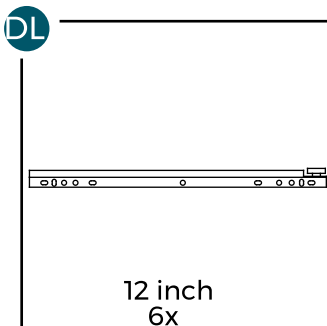
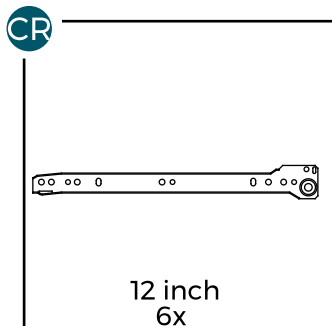
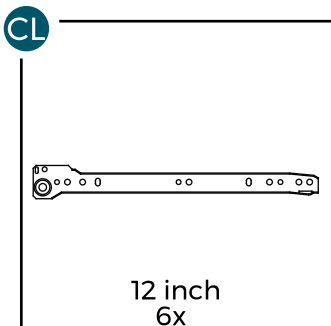
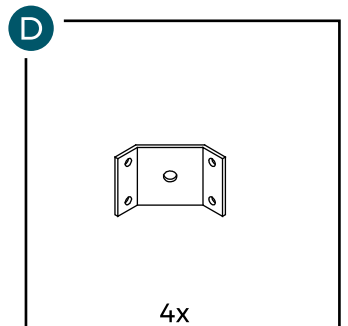
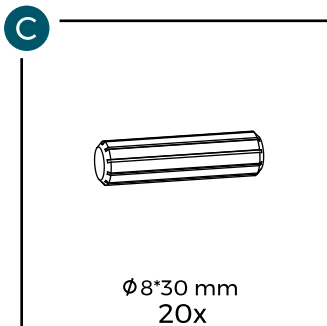
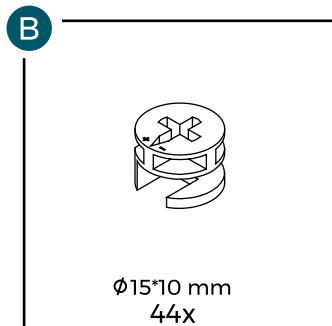
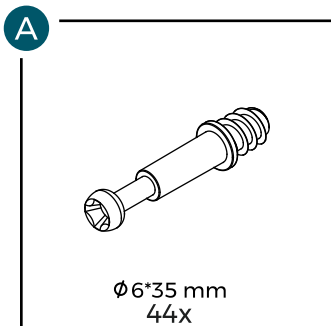
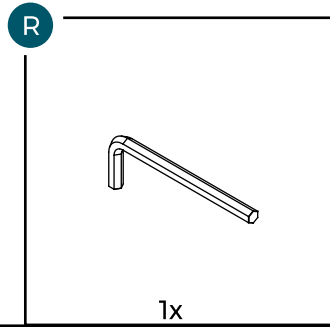
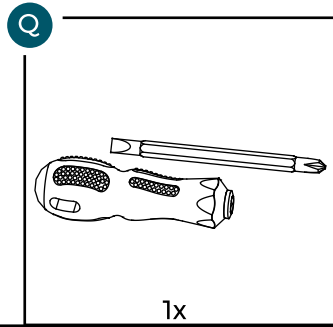
Italiano

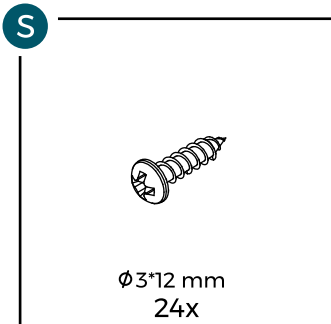
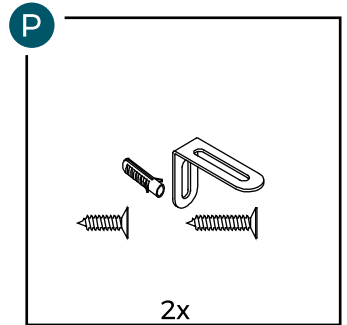
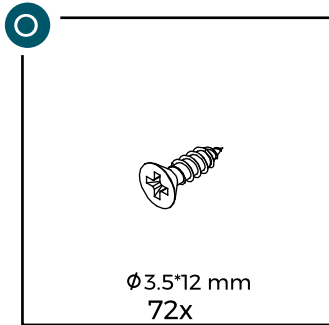
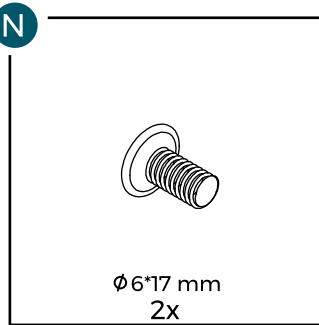
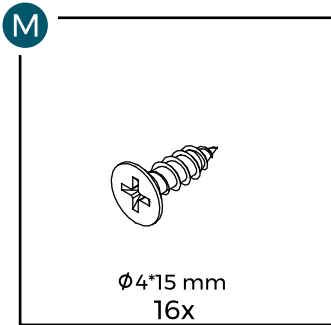
AVVERTENZA

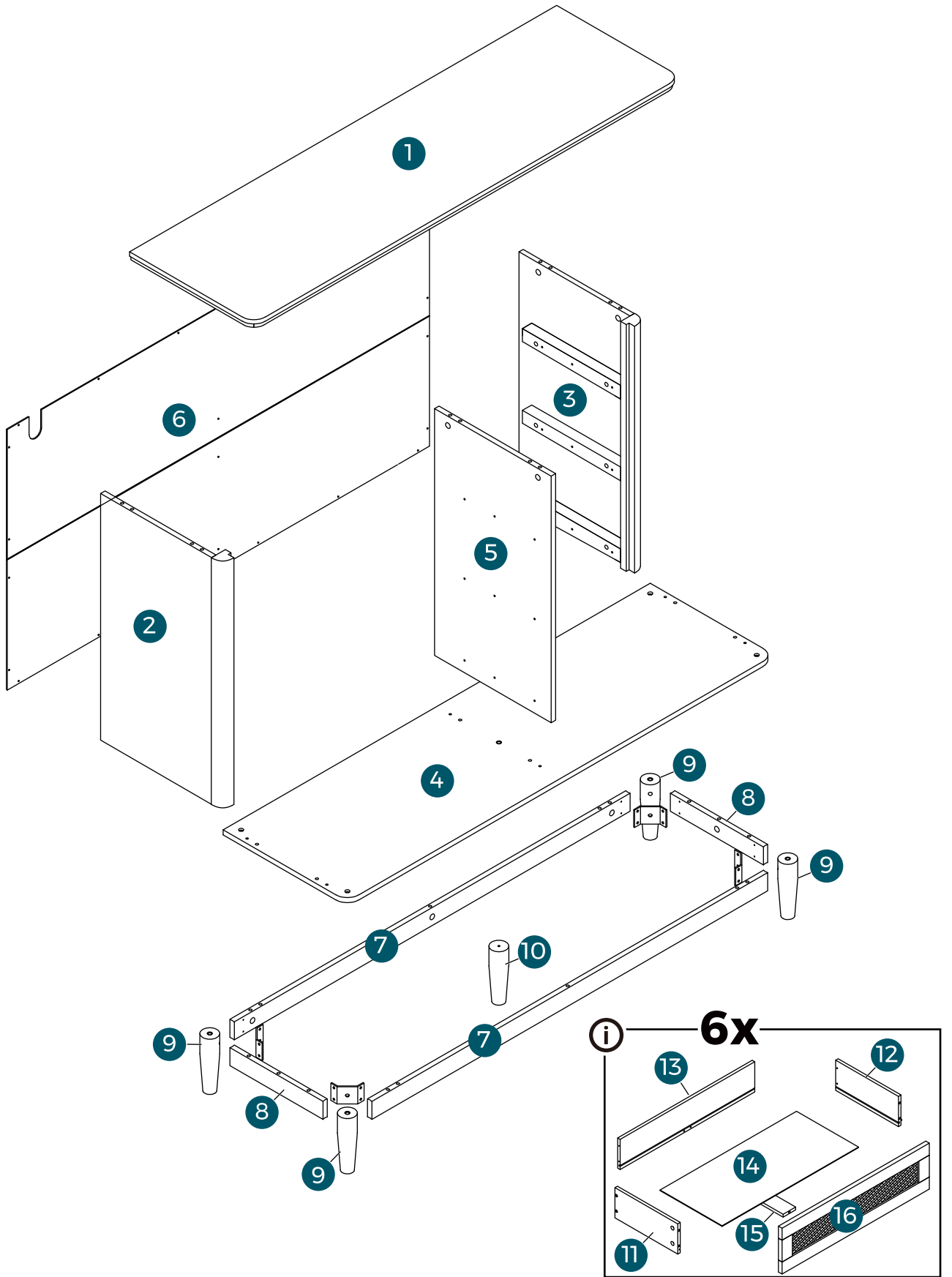
Se il mobile si ribalta può causare lesioni da schiacciamento gravi o mortali. **Fissa SEMPRE** questo mobile alla parete usando i componenti di sicurezza. Per ridurre ulteriormente il rischio di lesioni gravi o mortali causate dal ribaltamento:

- Metti gli oggetti più pesanti nel cassetto inferiore.
- Non collocare la TV o altri oggetti pesanti sopra questo prodotto.
- Evita che i bambini si appendano o si arrampichino sui cassetti, sulle ante o sui ripiani.

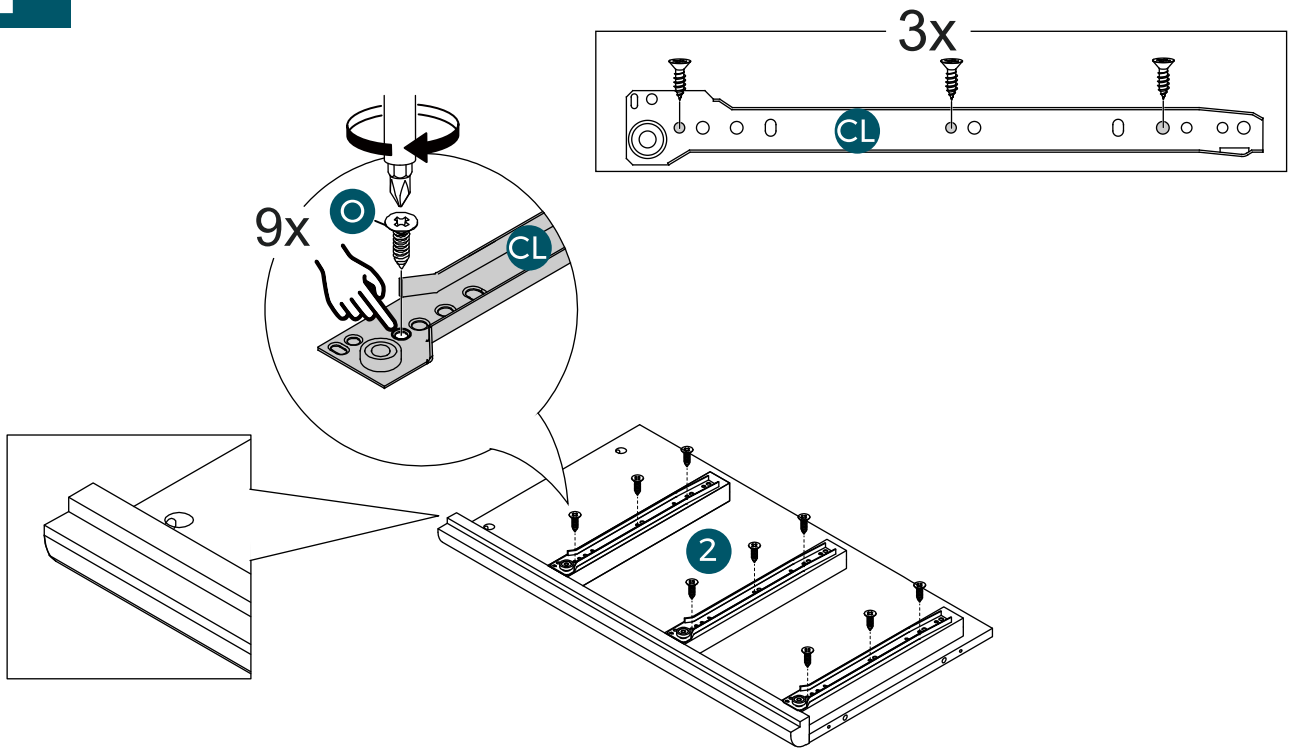




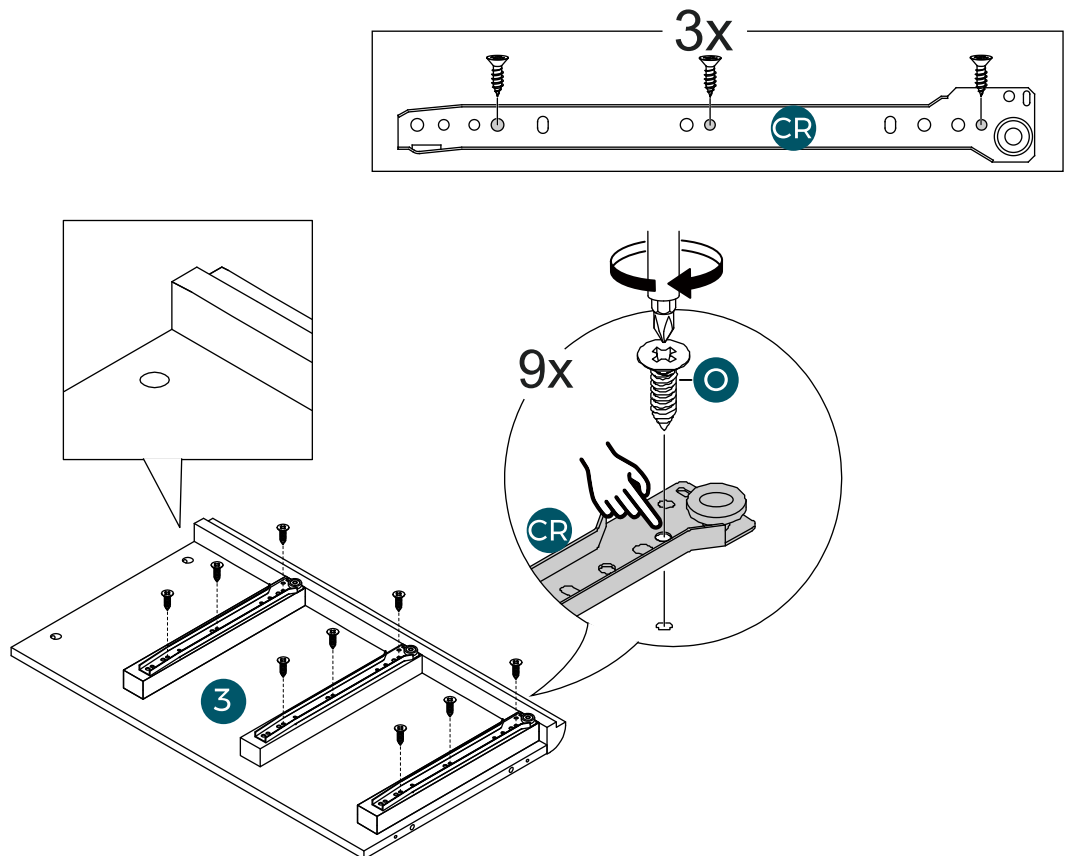




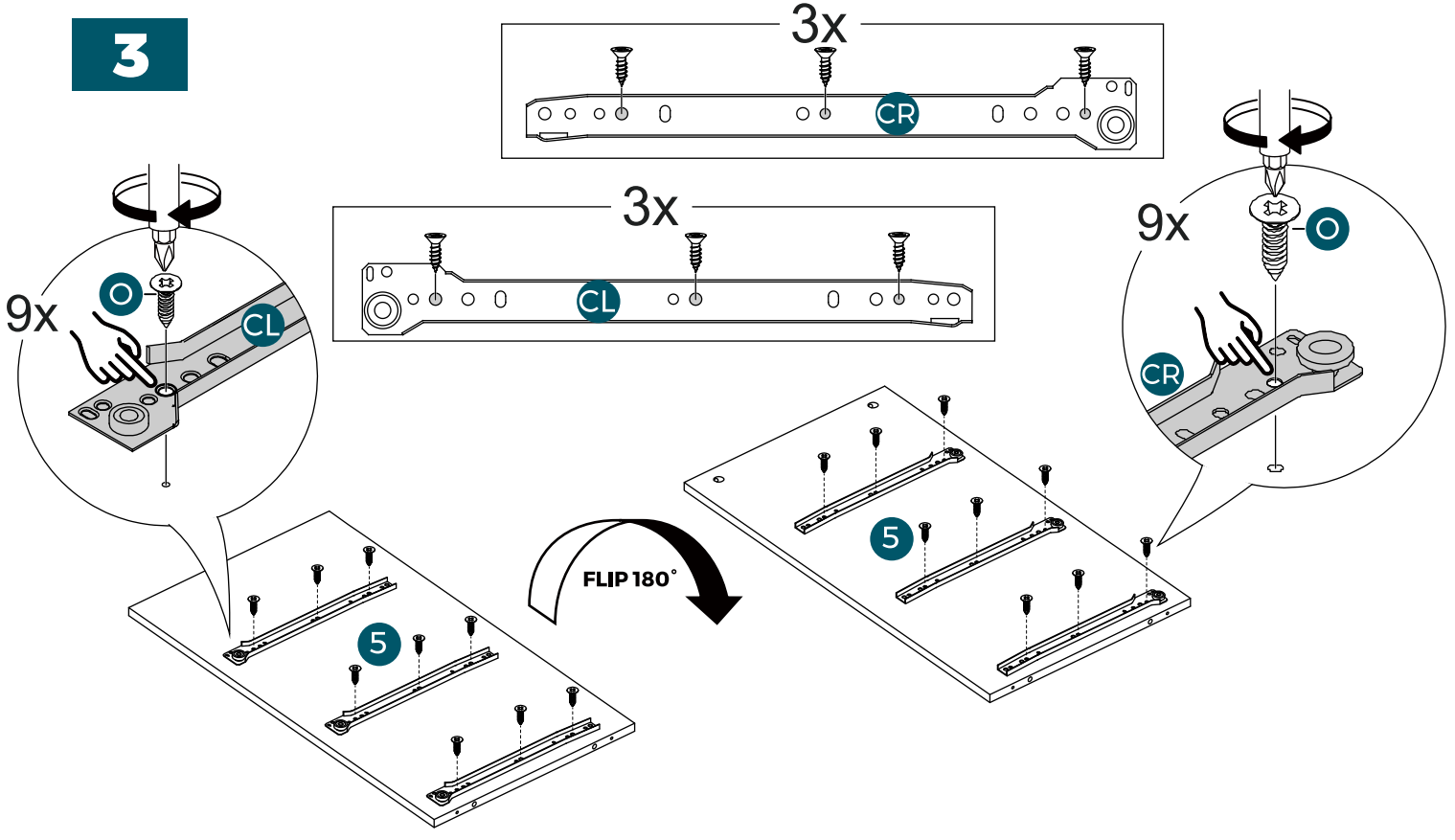
1



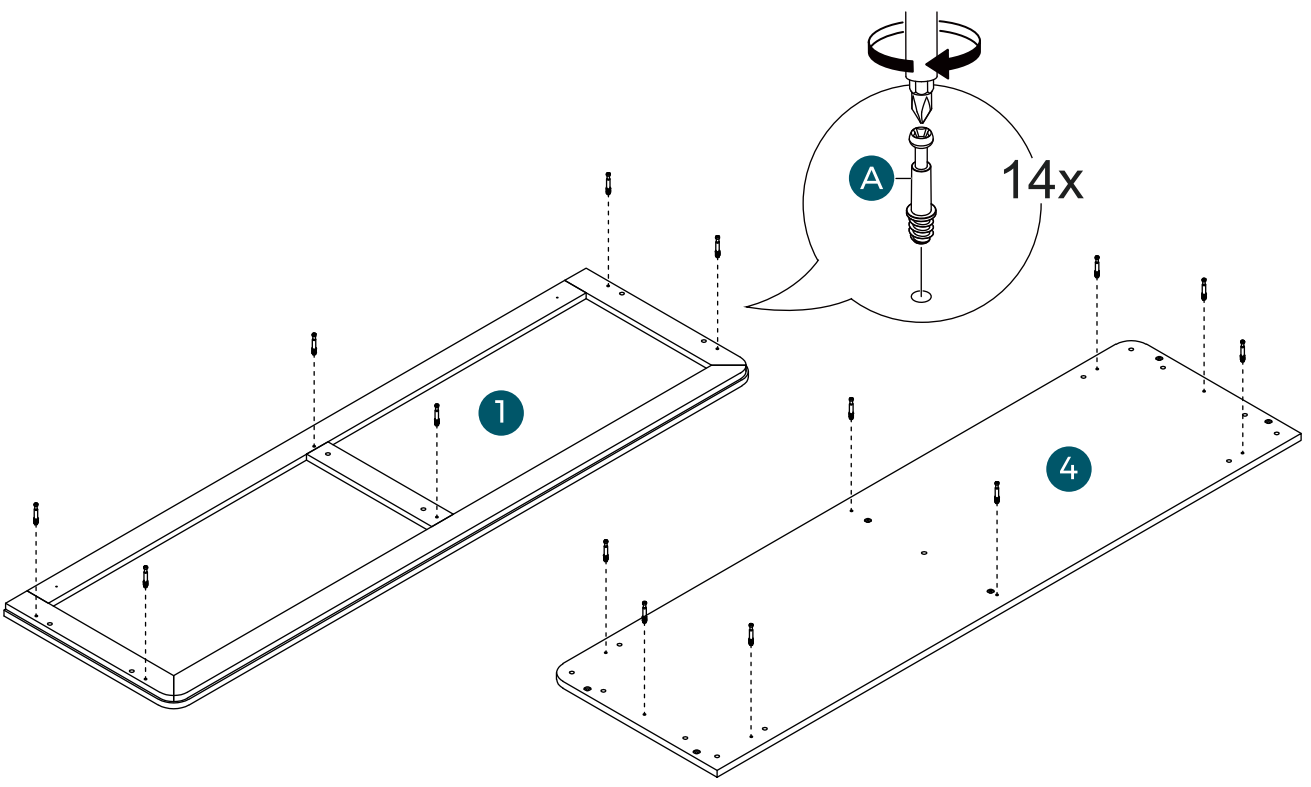
2



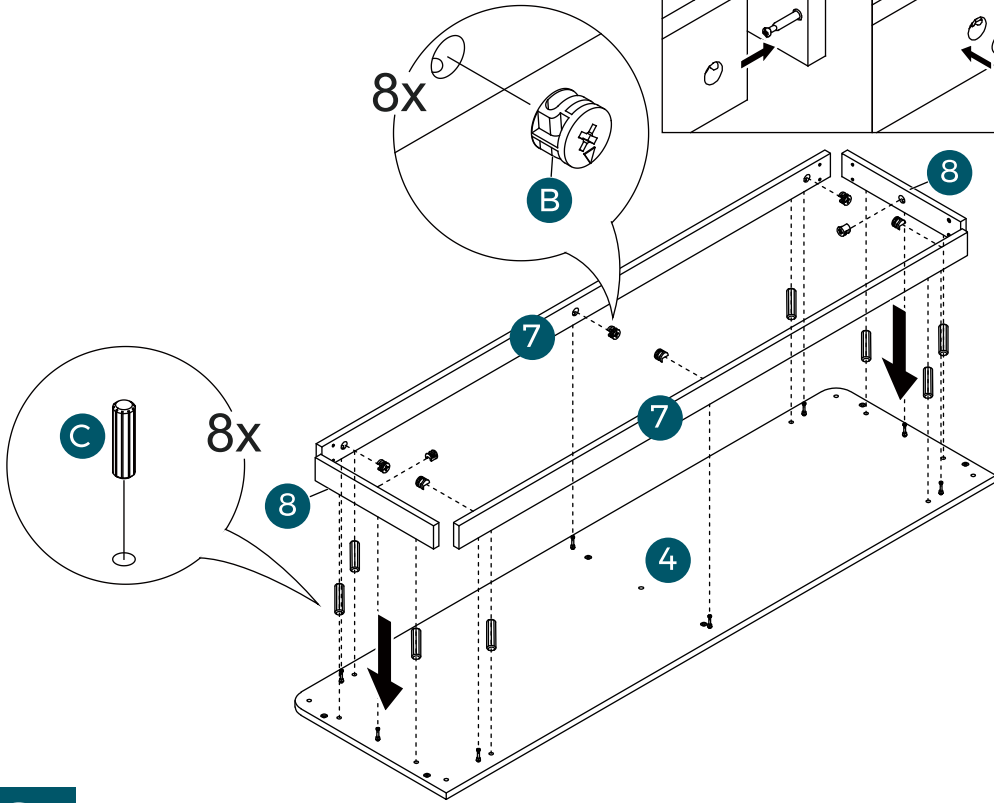
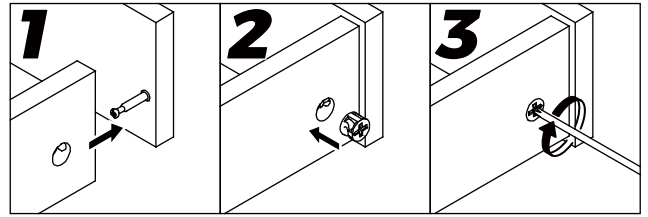
3



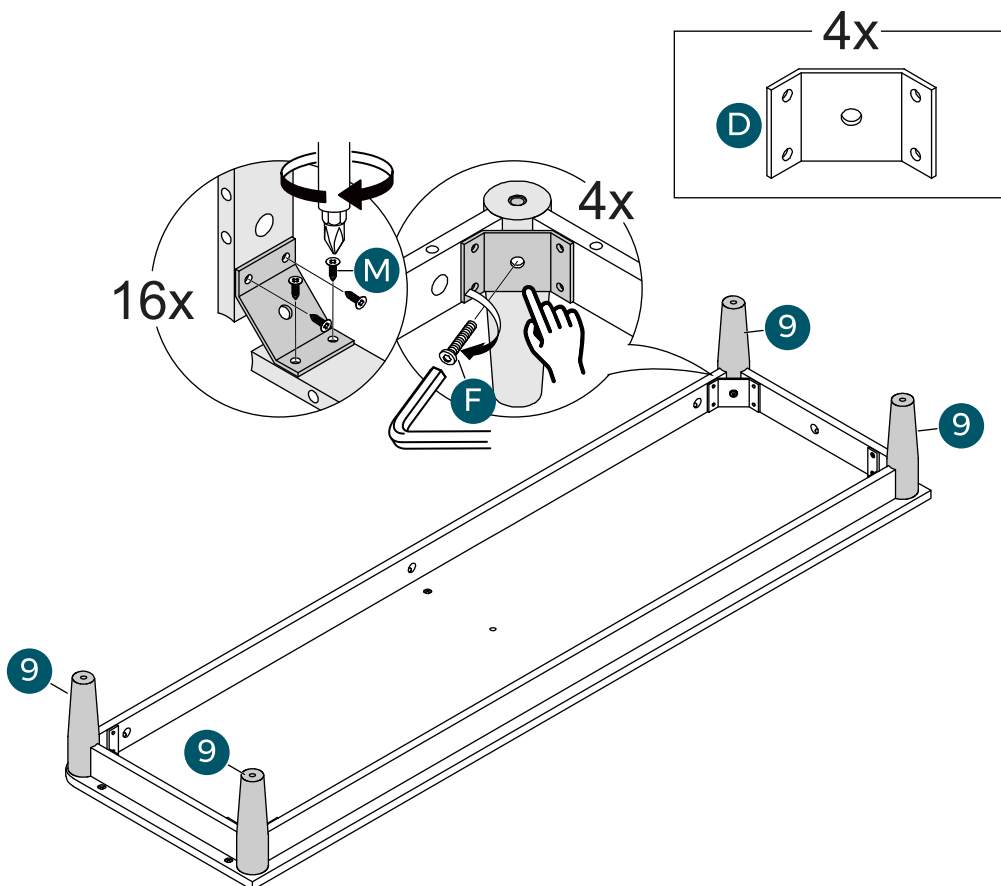
4



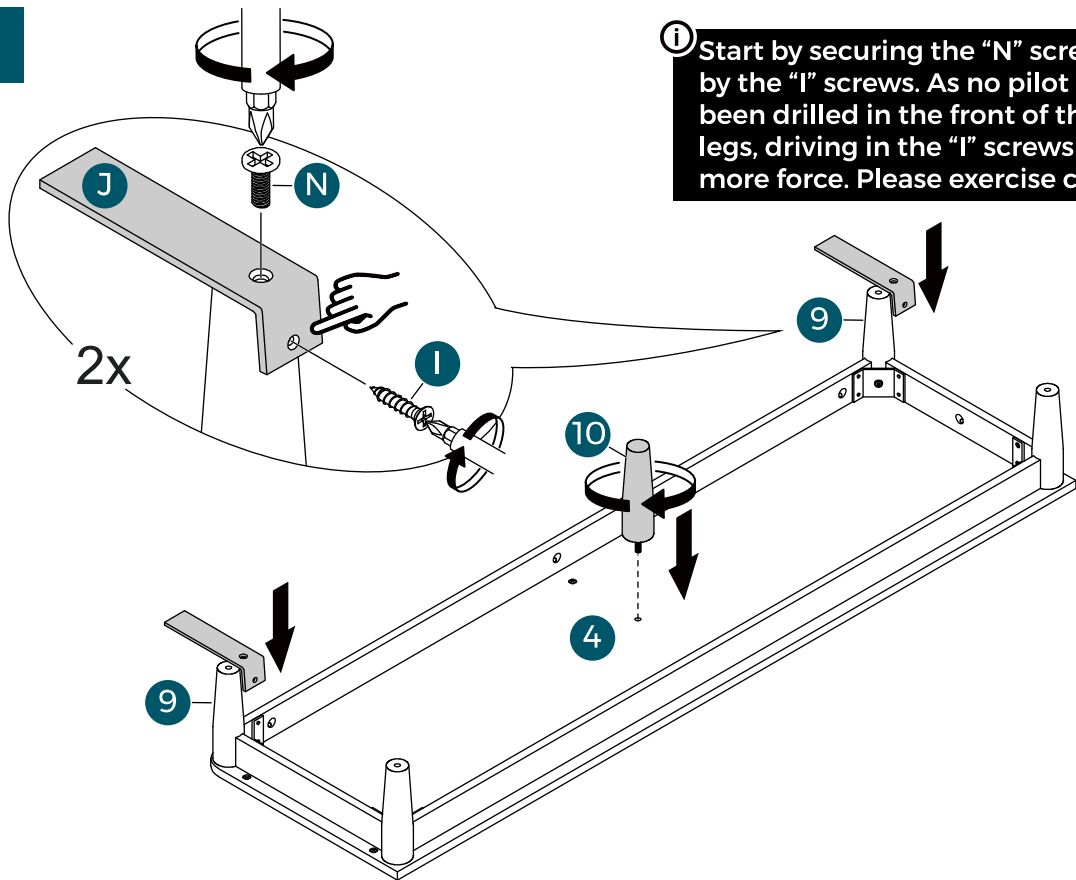
5



6

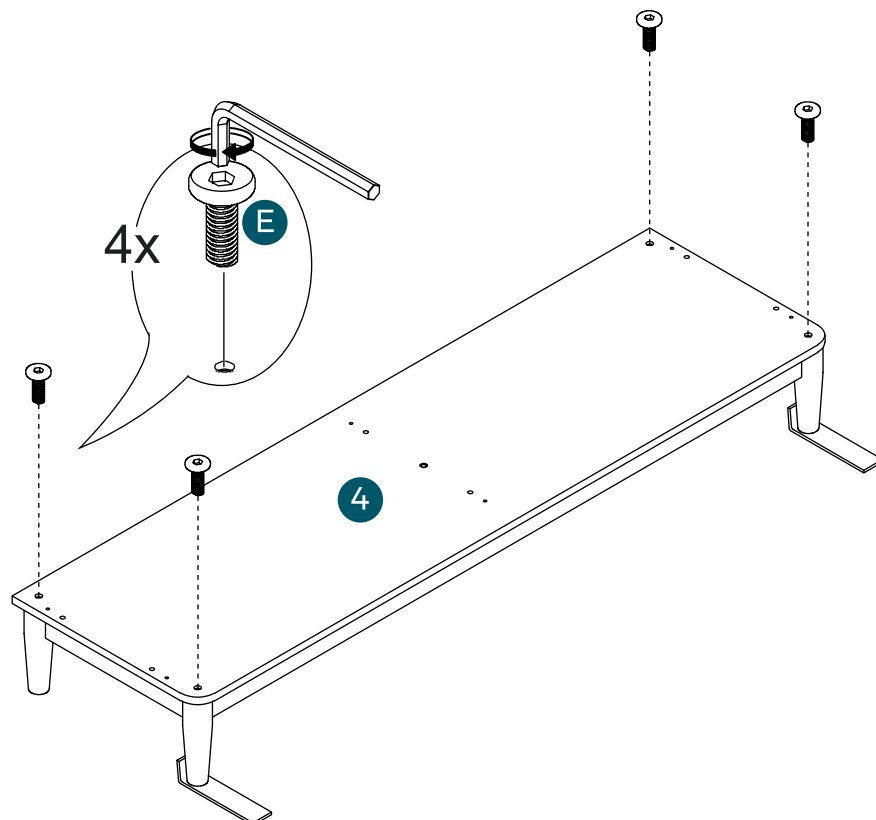


7

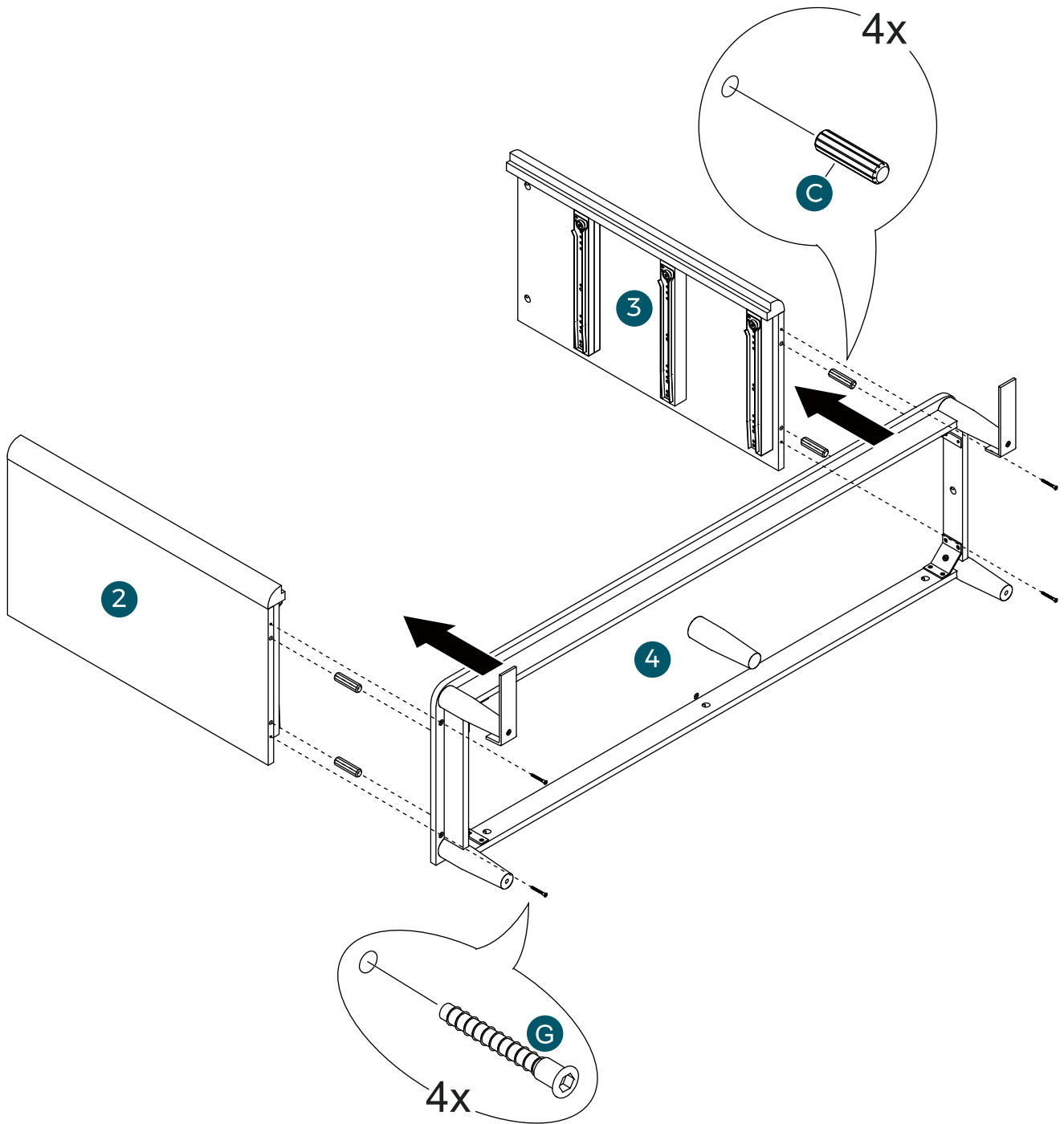


i Start by securing the “N” screws, followed by the “I” screws. As no pilot holes have been drilled in the front of the wooden legs, driving in the “I” screws will require more force. Please exercise caution.

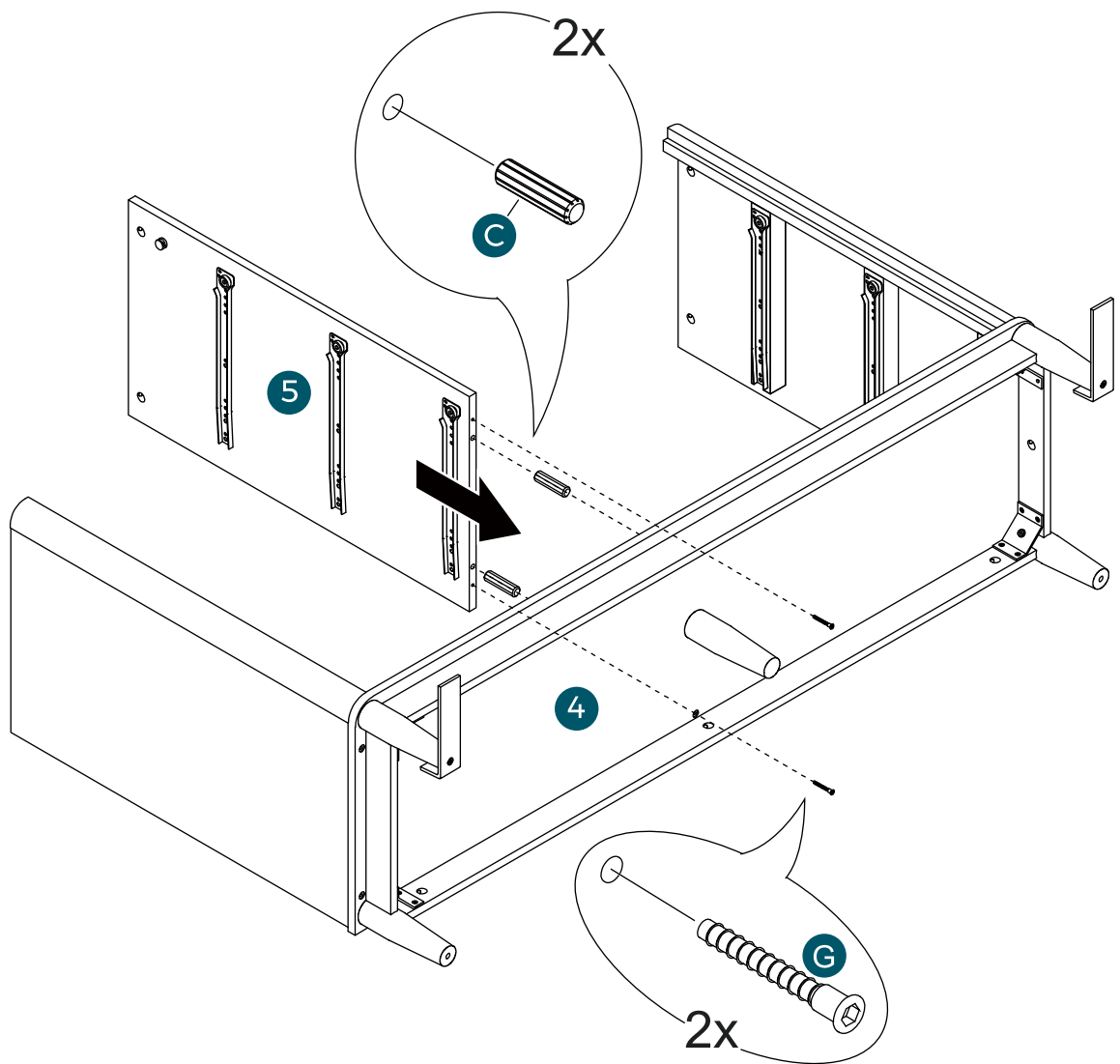
8

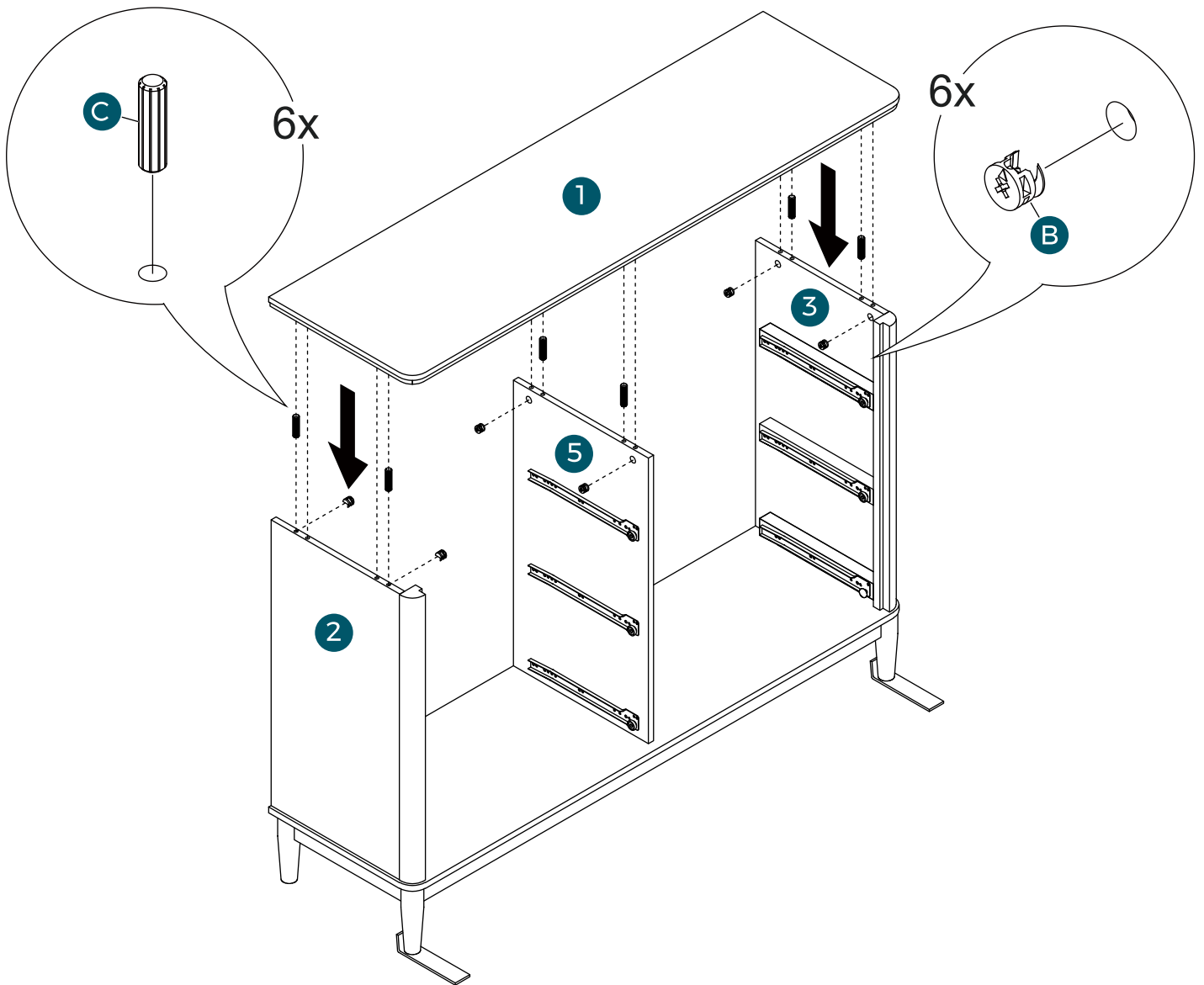
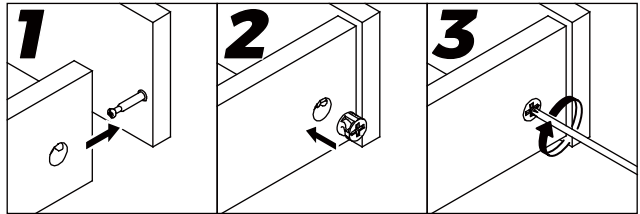


9



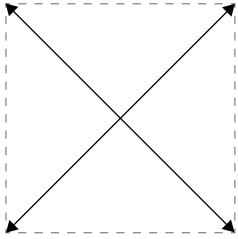
10




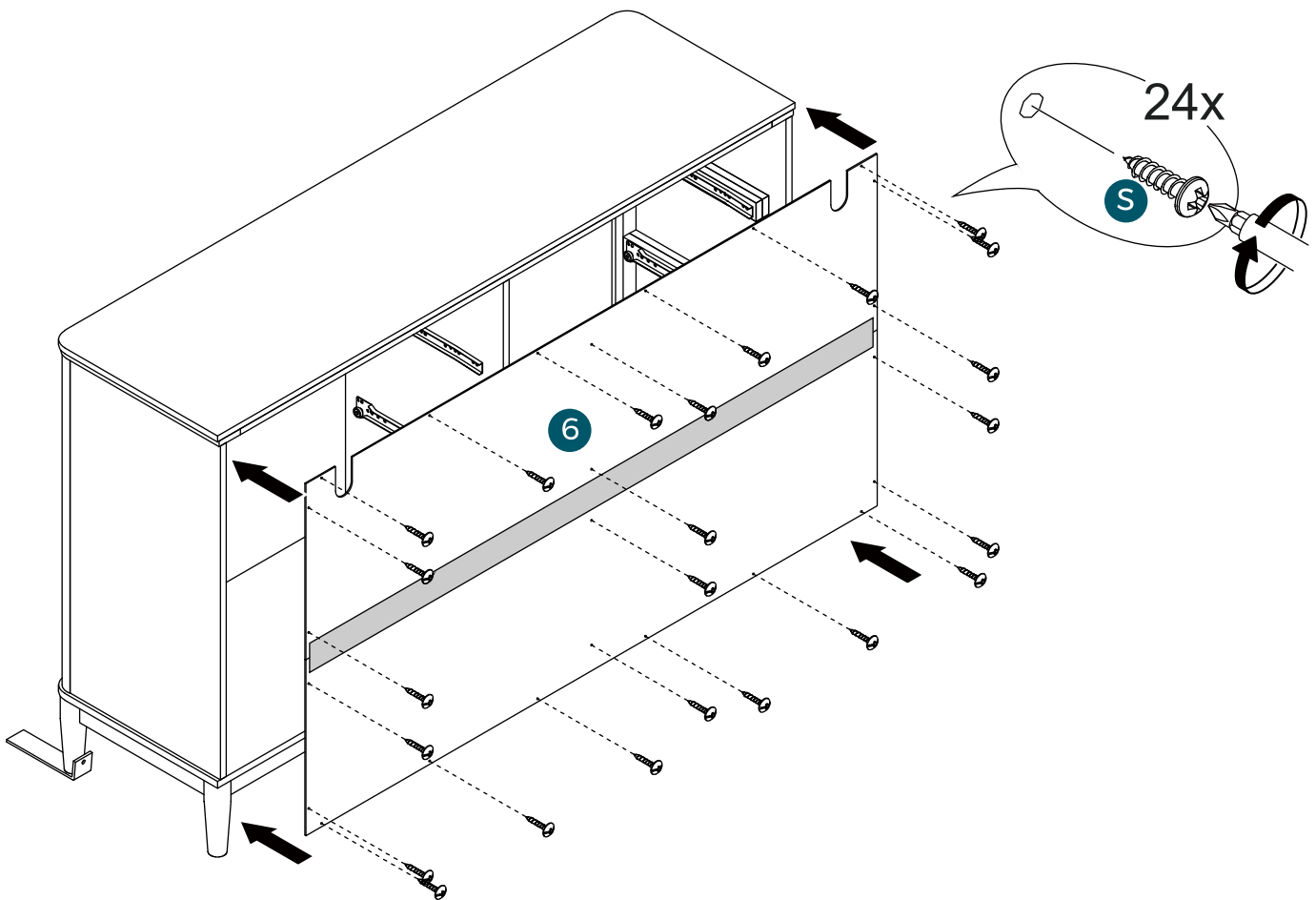


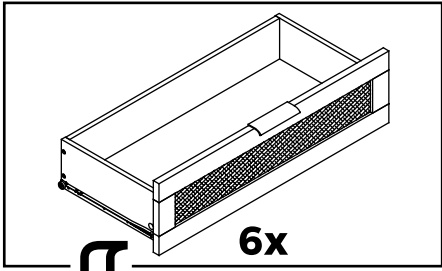
12

 **FAILURE TO FOLLOW ALL DIRECTIONS ON THIS PAGE
MAY RESULT IN UNEVEN DOOR ALIGNMENT**

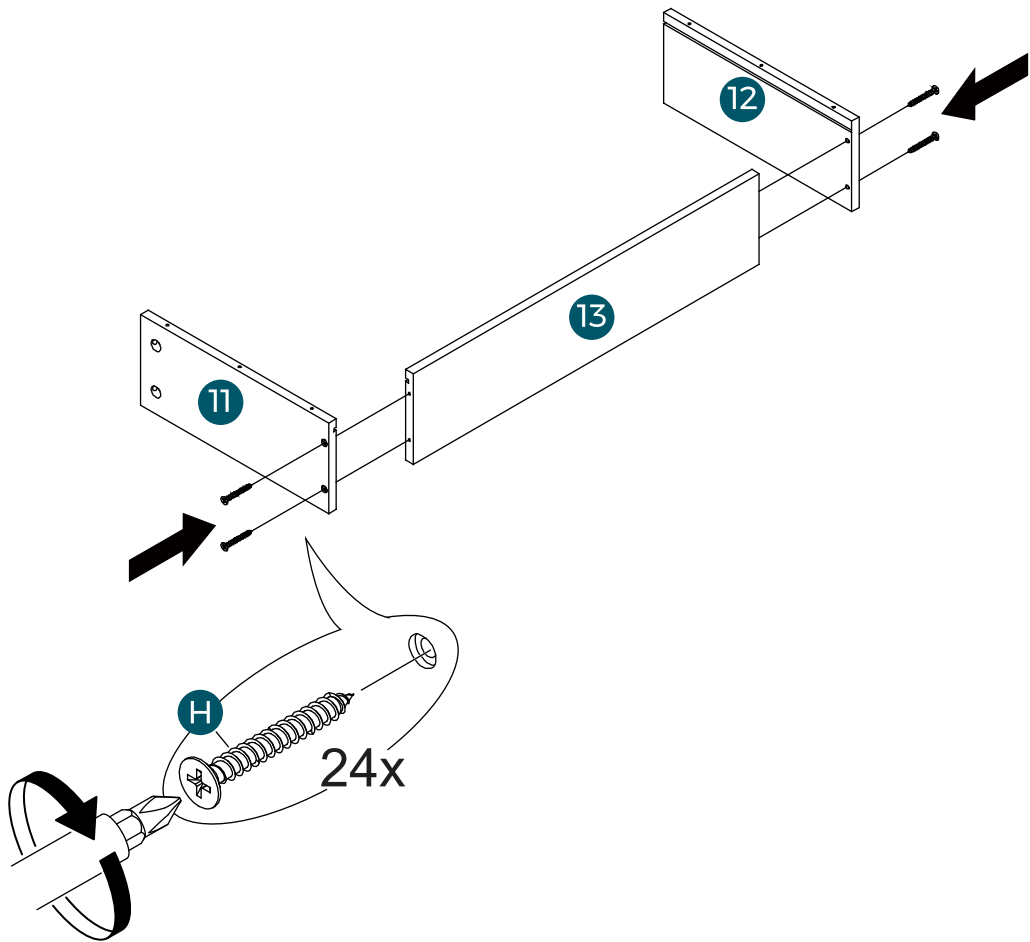


 **Begin by installing all of the screws along one edge of the back panel. Next, using a square or tape measure, make sure that the cabinet is square. (If using a tape measure, the distance from one corner, diagonally to the other corner should be the same in both directions.) If not, apply gentle pressure to the diagonally opposite corners to shift case into alignment. Re-measure to ensure equal distances. Install the remaining screws, starting with the corners.**

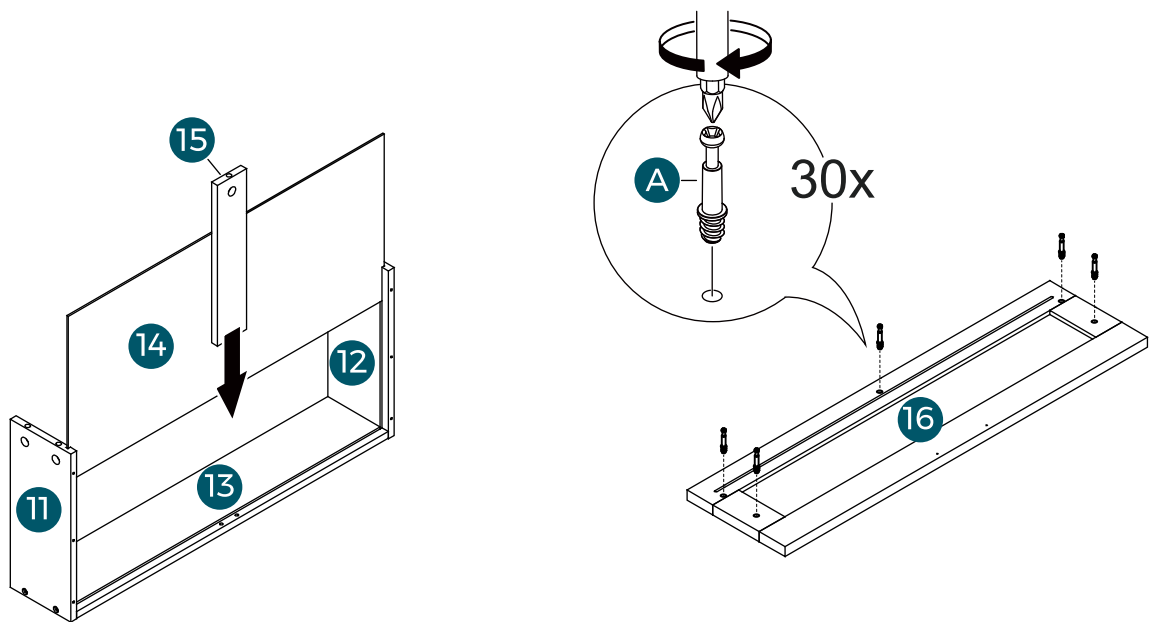




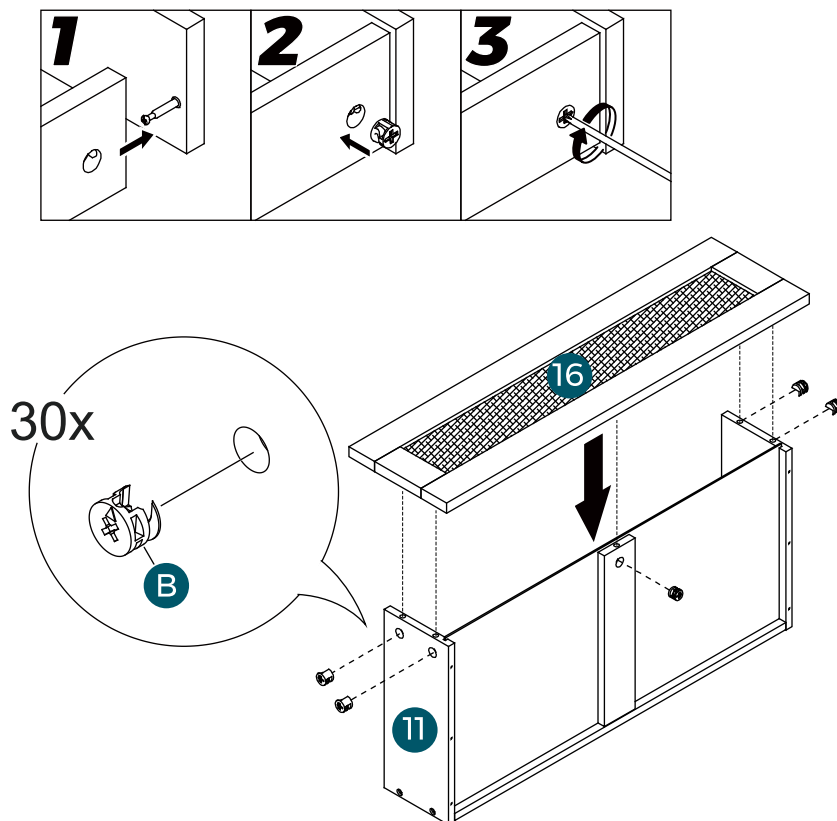
13



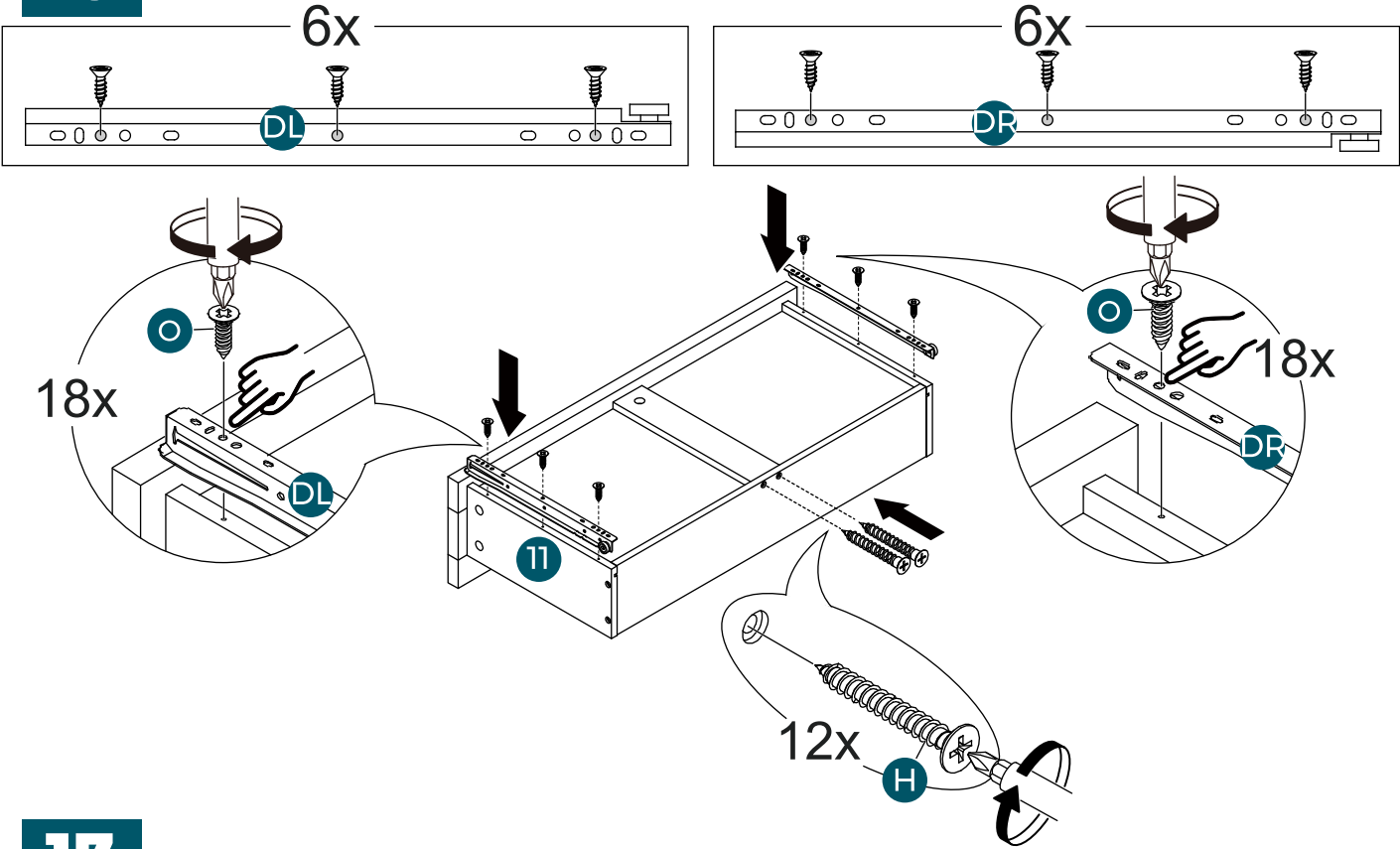
14



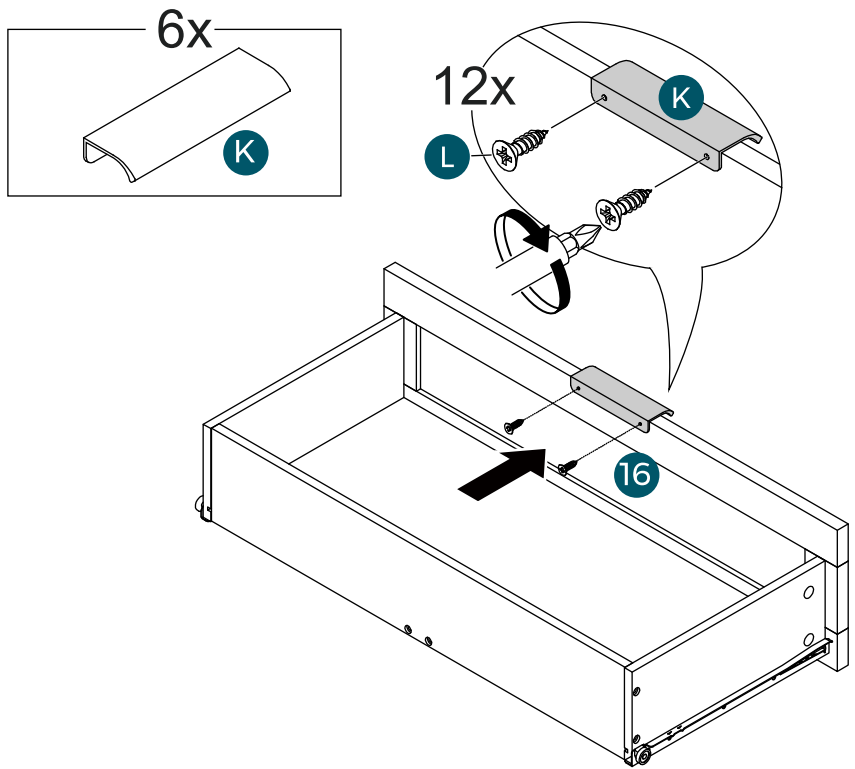
15



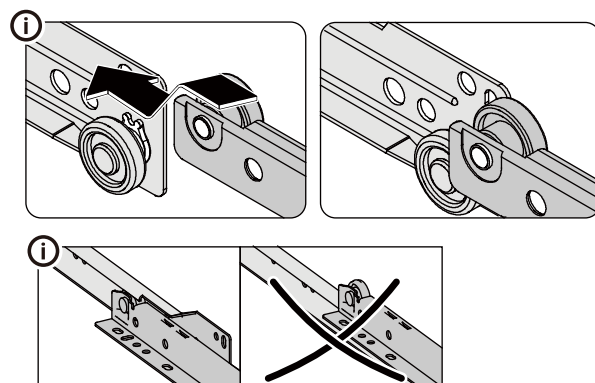
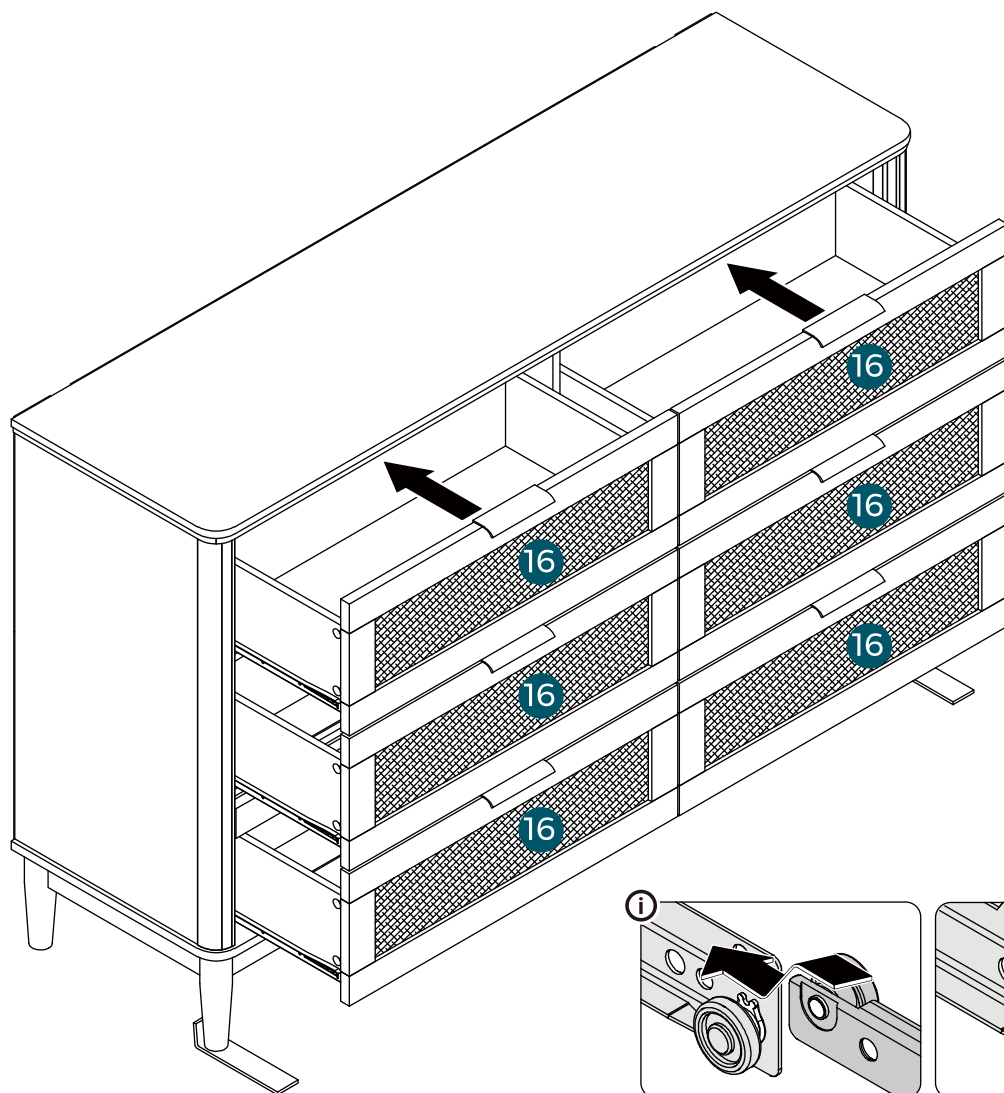
16



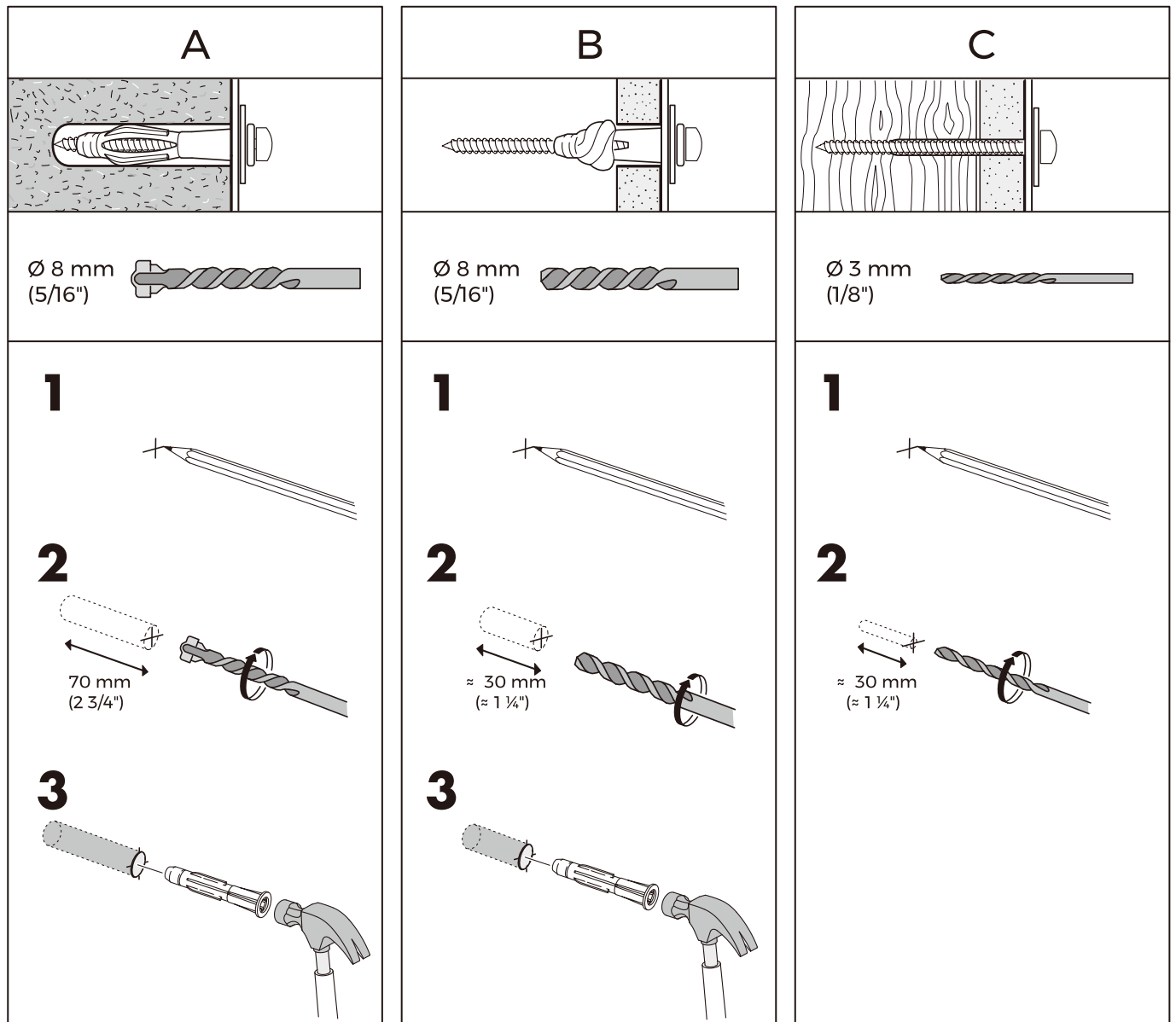
17



18



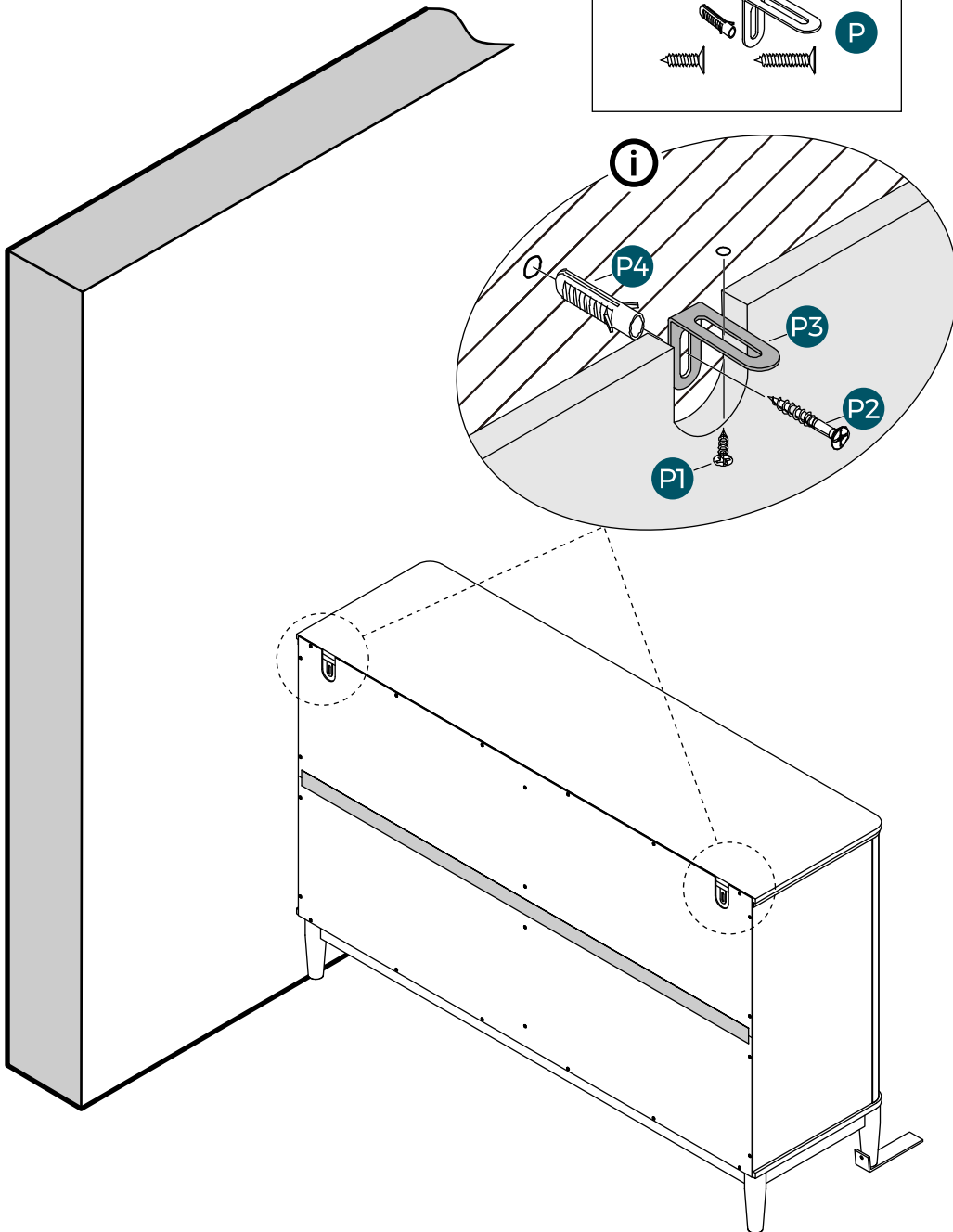
The screw and plug supplied can be used with most solid (A) and hollow(B) walls.
 For solidwood (C) use the screw without plug.
 If you are uncertain, please seek professional advice.



19

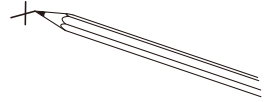


WARNING In order to prevent overturning this product must be used with the wall attachment device provided.



1

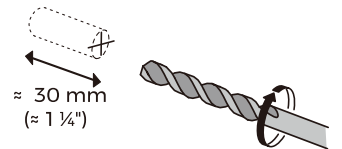
WALL



Mark the hole drilling location

2

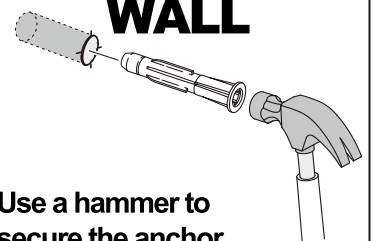
WALL



Drill hole

3

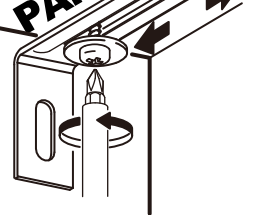
WALL



Use a hammer to secure the anchor

4

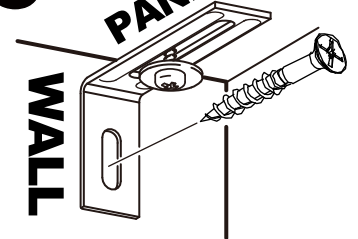
PANEL



Secure to the top panel

5

PANEL



Secure to the wall

Step 1: Determine the location of the anti-overturning on the wall and then mark the position after confirming the product has been balanced.

Step 2: Drill the hole on the wall.

Step 3: Use a hammer to fixed the anchor (P4) on the wall.

Step 4: Use screw (P1) to fix the anti-overturnig(P3) on the top panel.

Step 5: Use screw (P2) to fix the anti-overturnig(P3) on the wall.

Dear Valued Customer,

Thank you for bringing our products into your life.
Your happiness and satisfaction are at the heart of what we do.
If our products have brightened your day, we're thrilled and eager to share that light further.

Encountering an issue? We're here to help swiftly and effectively.

Share Details

Provide your order number and a photo of the issue, along with a brief description.

Await Solutions

Our team will quickly review and propose the right after-sales solution to make things right.

Your feedback propels us forward.
We're committed to ensuring your purchase experience is always positive.

Warmest thanks,
Customer Service Team