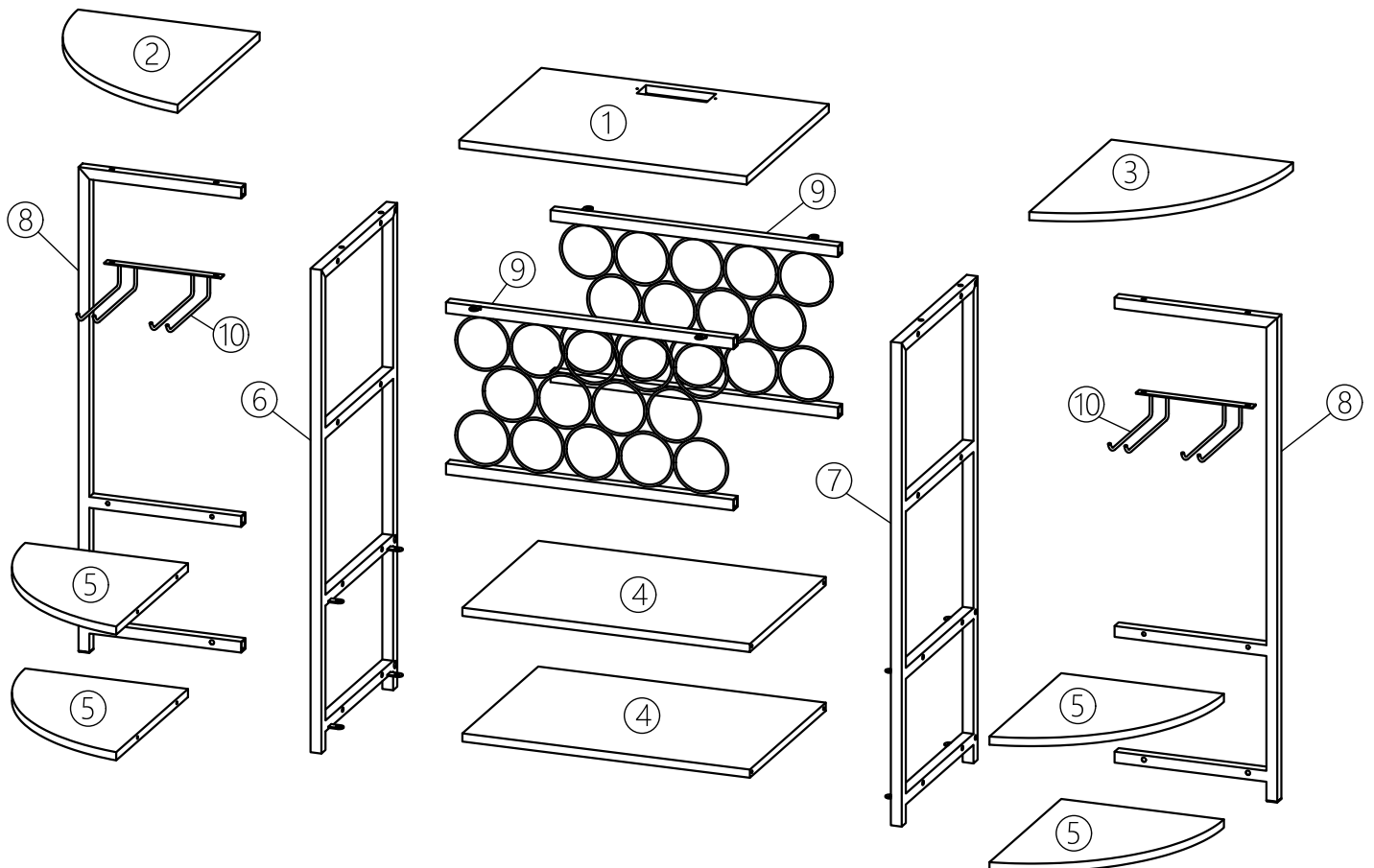
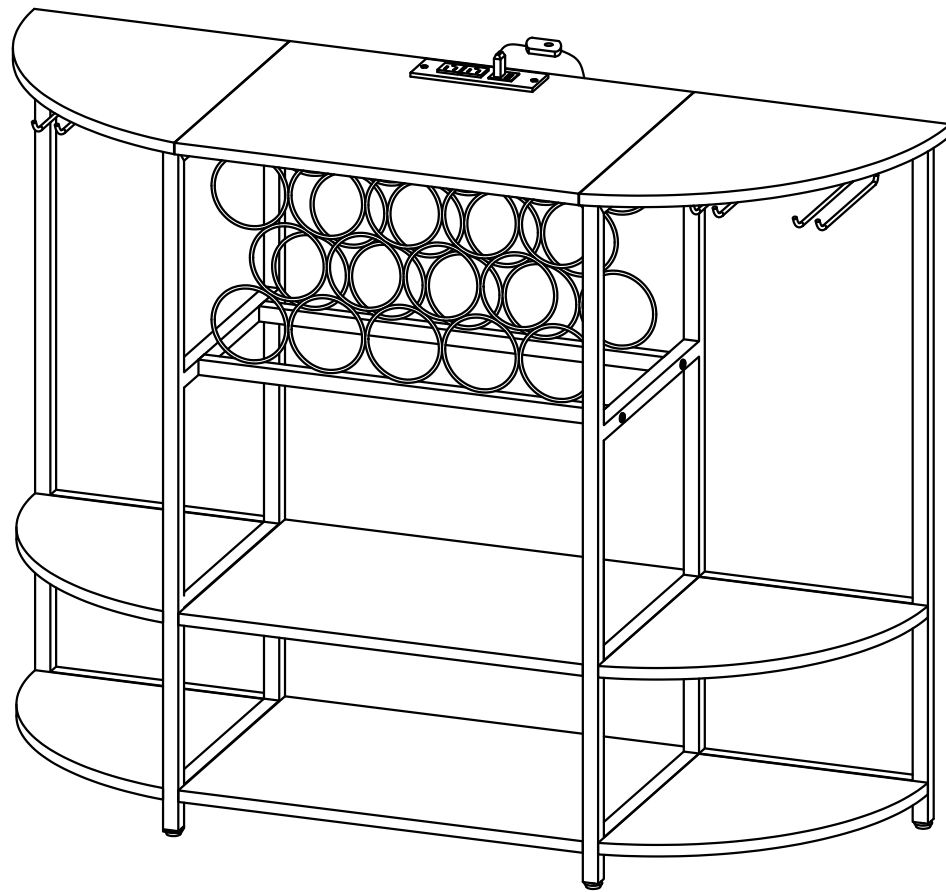
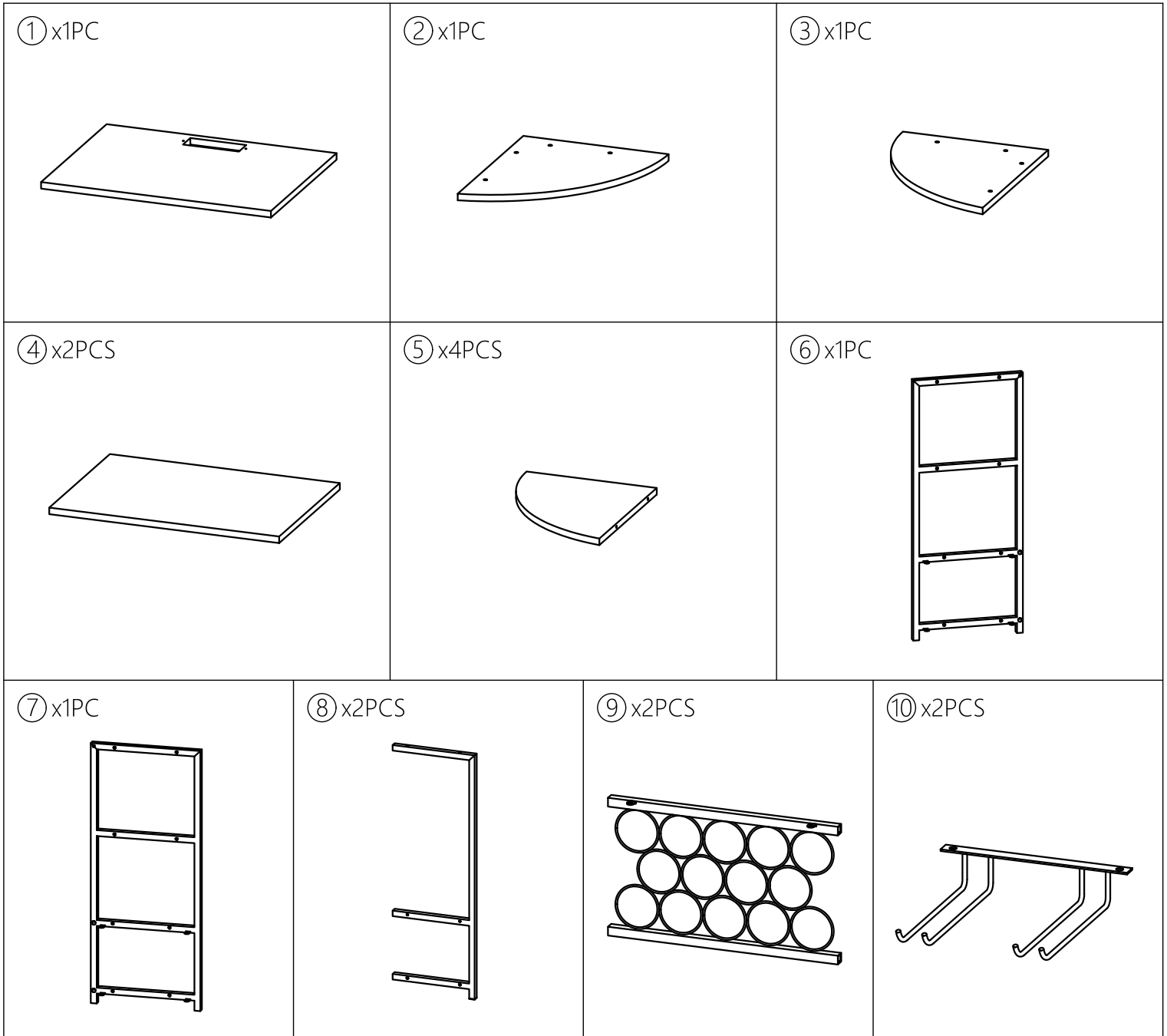
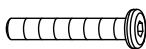
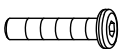
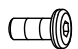
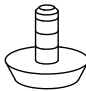
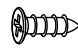

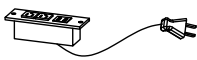
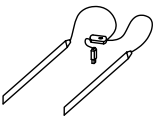

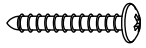




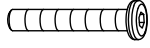
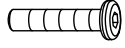

ASSEMBLY INSTRUCTION

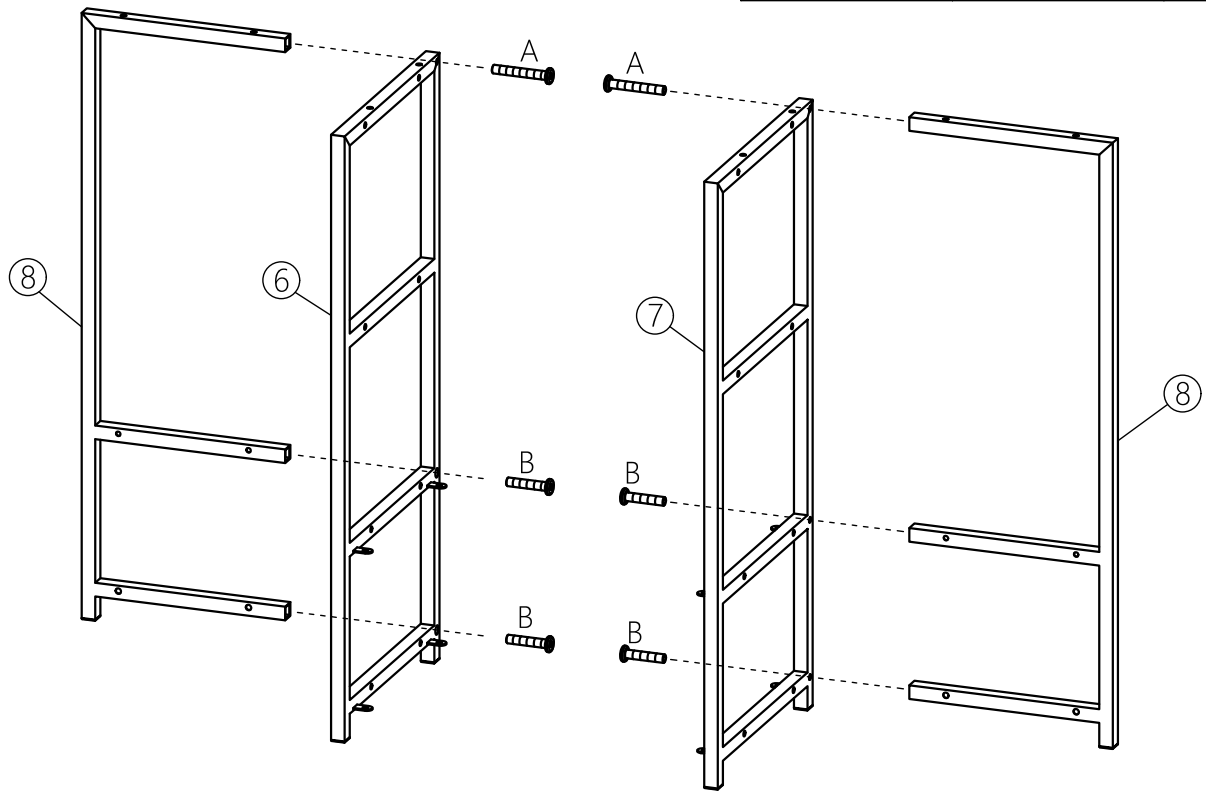




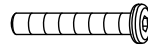

<p>A x 10+1</p>  <p>M6x40</p>	<p>B x 12+1</p>  <p>M6x30</p>	<p>C x 12+1</p>  <p>M6x12</p>	<p>D x 6</p> 	<p>E x 2</p>  <p>M4x14</p>	<p>F x 16+1</p>  <p>M5x50</p>
<p>G x 1</p> 	<p>H x 1</p> 	<p>I x 1</p>  <p>M4</p>	<p>J x 2</p>  <p>M4x30</p>	<p>K x 2</p> 	<p>L x 2</p> 

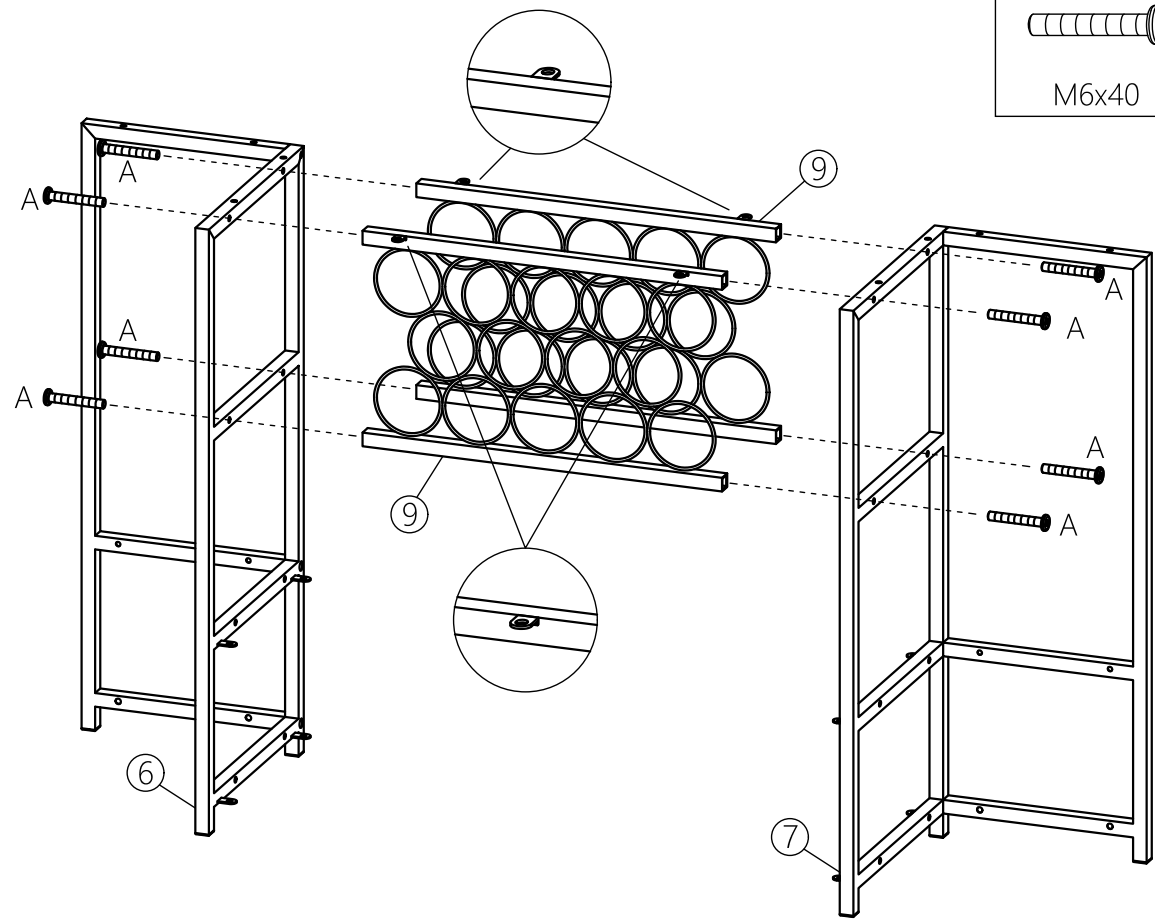
1

A	x 2	B	x 4	I	x 1
					
M6x40		M6x30		M4	

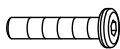
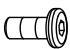



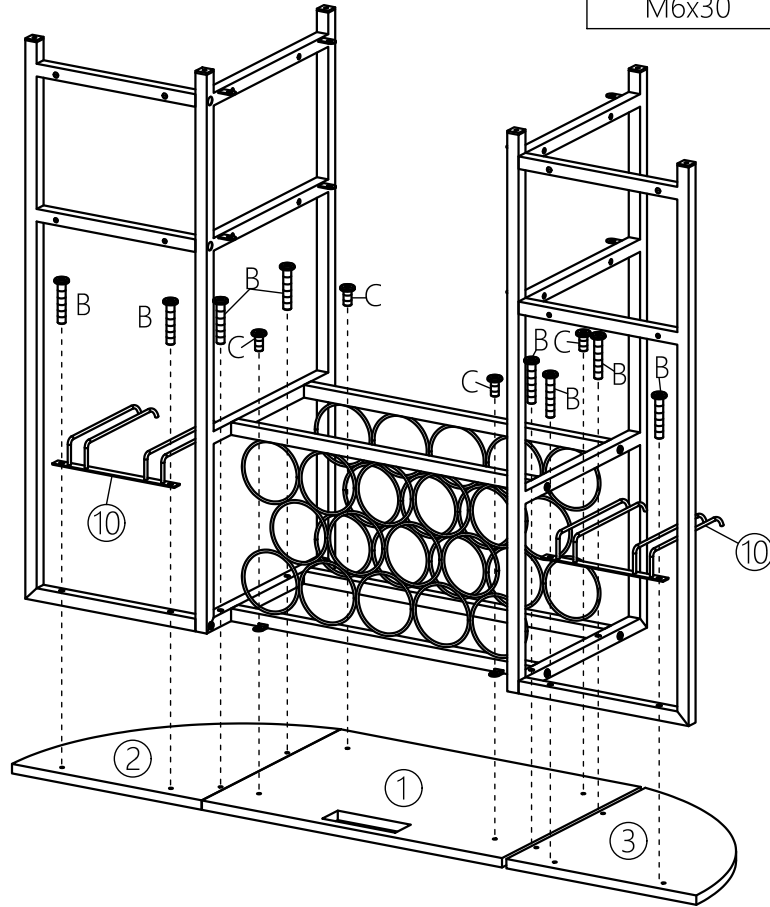
2

A	x 8	I	x 1
			
M6x40		M4	

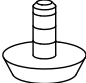
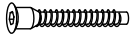



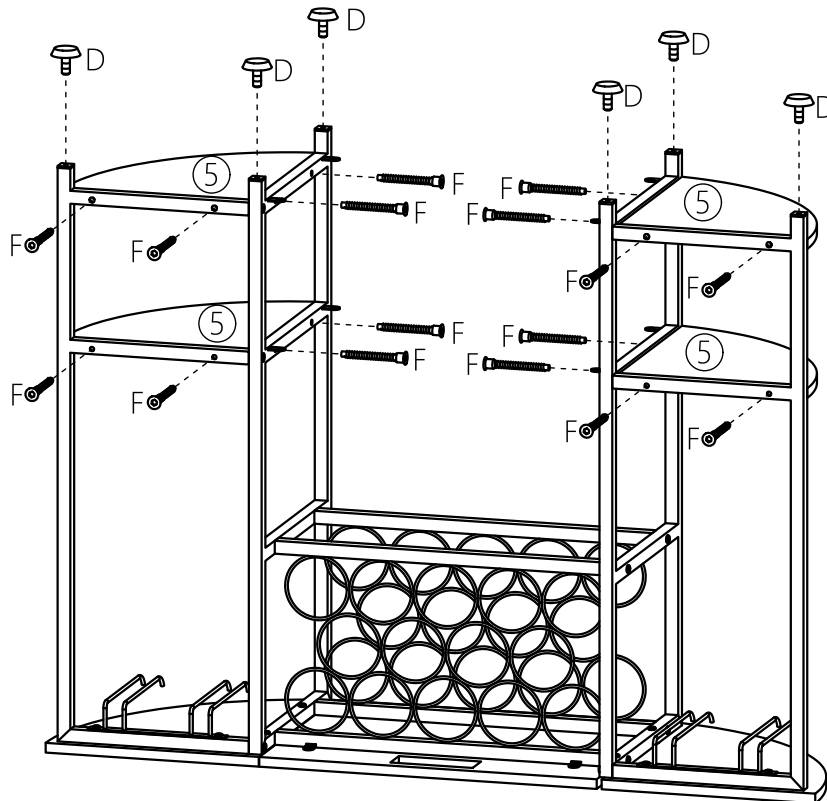
3

B	x 8	C	x 4	I	x 1
					
M6x30		M6x12		M4	

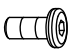



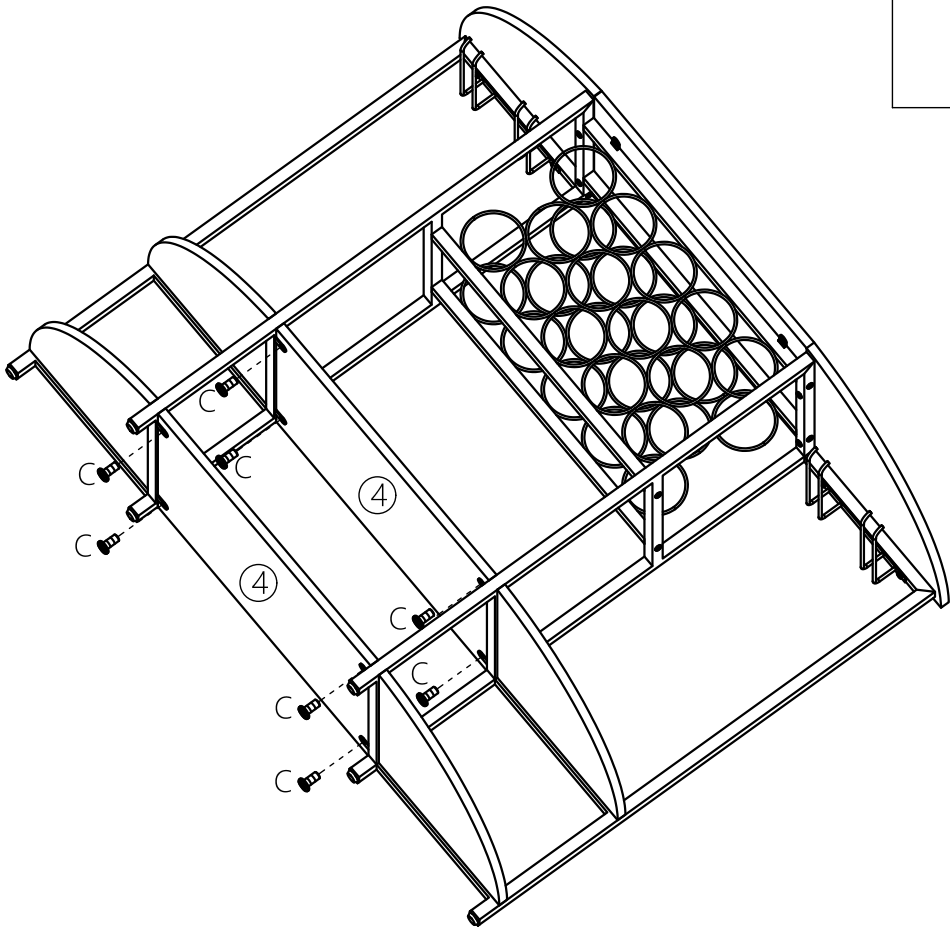
4

D	x 6	F	x 16	I	x 1
					
		M5x50		M4	





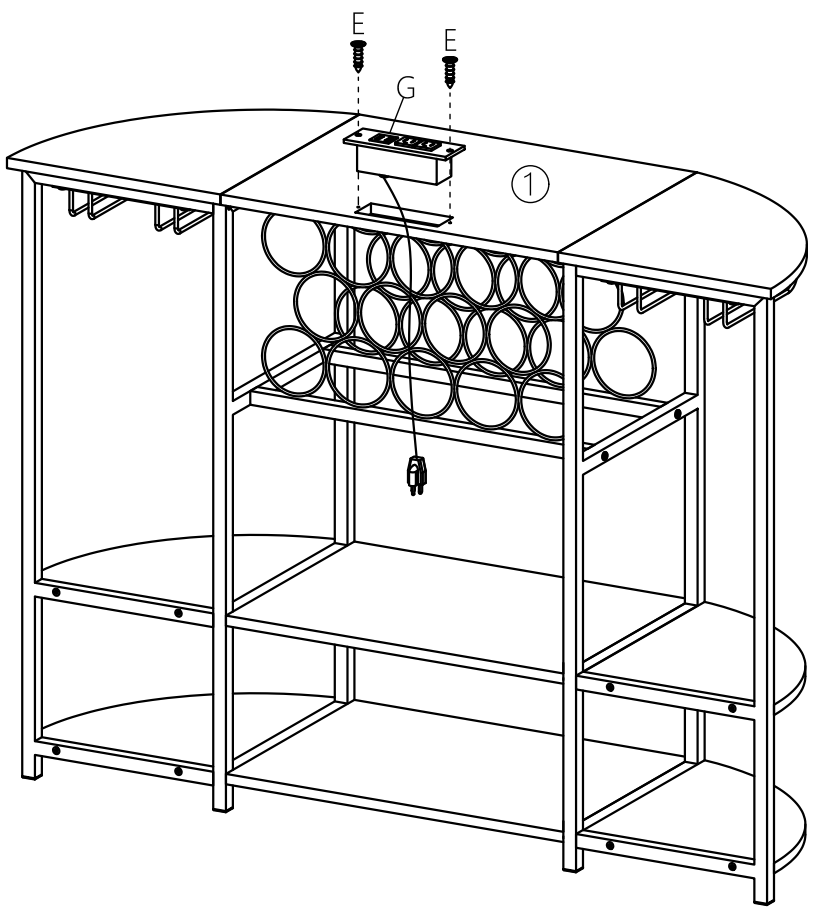
5

C	x 8	I	x 1
			
M6x12		M4	



6

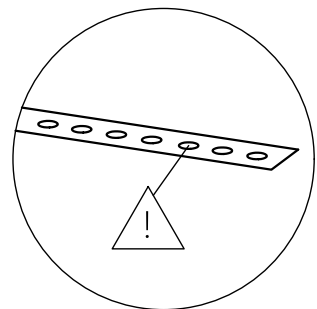
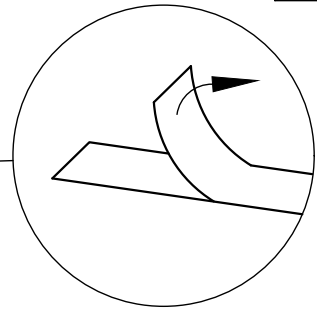
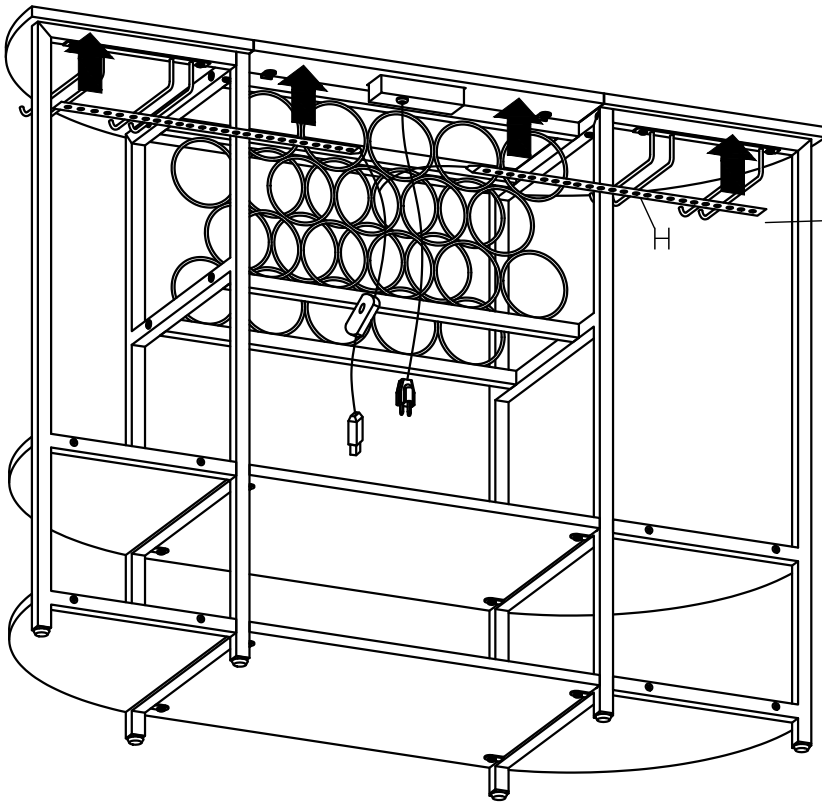
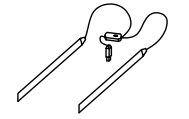
E	x 2	G	x 1
			
M4x14			



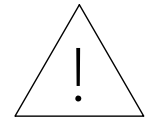
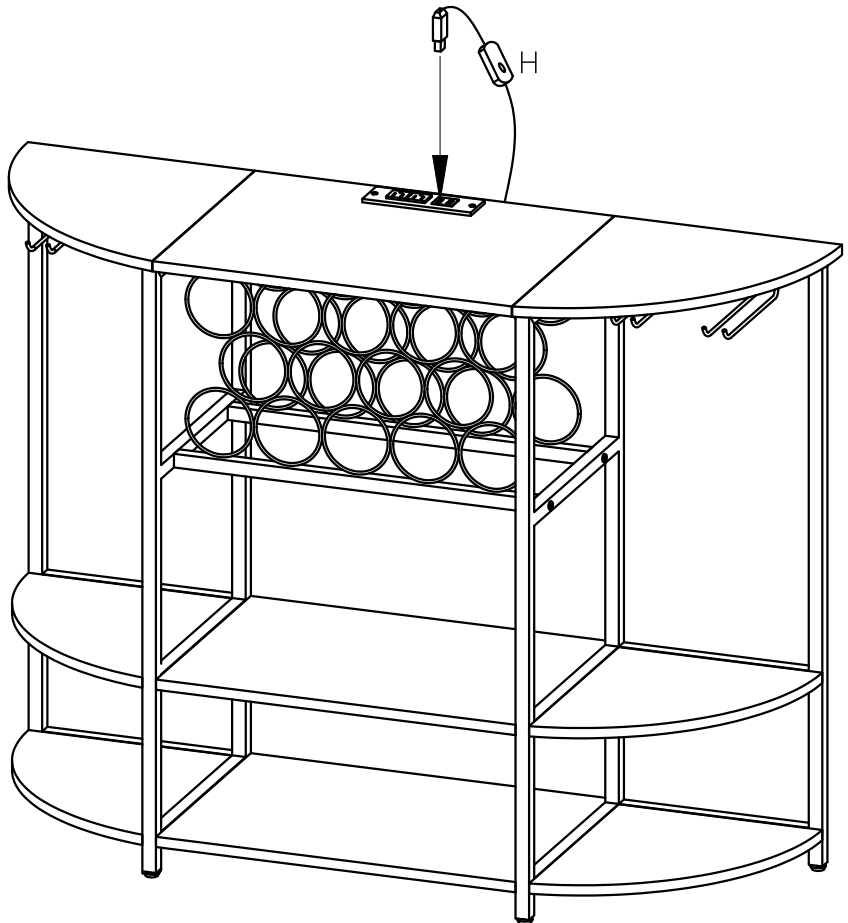
7

H

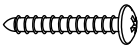


x1



8



Control the light switch and switch the light mode through the switch button, or download the APP by scanning the QR code on the switch on your phone, and connect it to Bluetooth to control the light switch and adjust the light mode. The switch button control includes 7 colors, and the APP control includes 29 colors.

J	x 2	K	x 2	L	x 2
					
M4x30					

