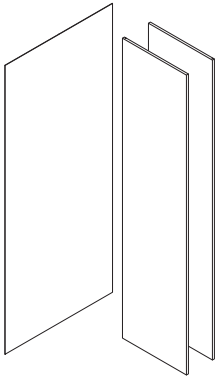
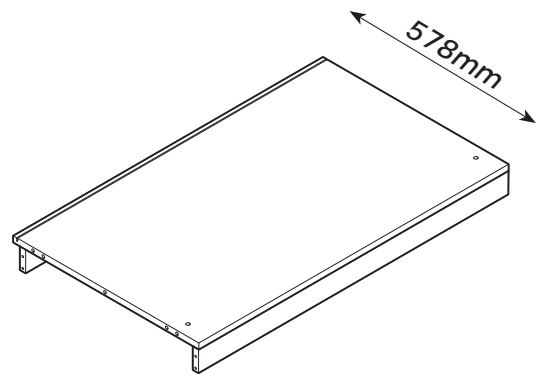
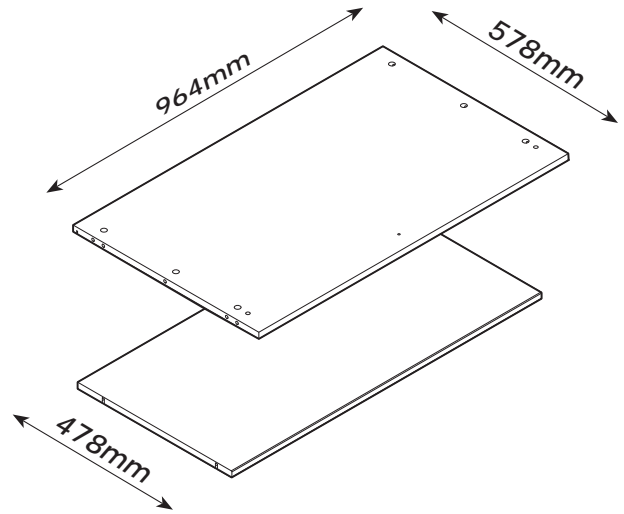
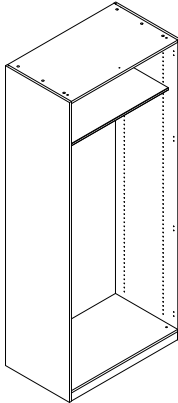
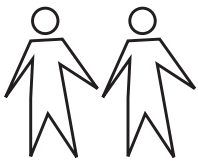


✓ **CL3376**

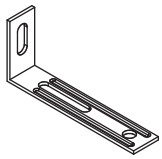
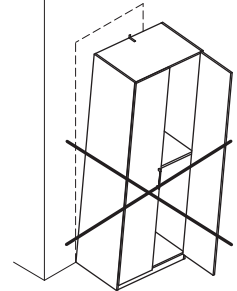
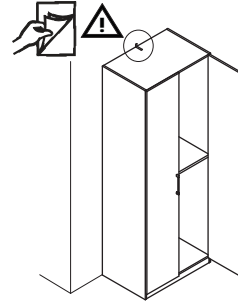
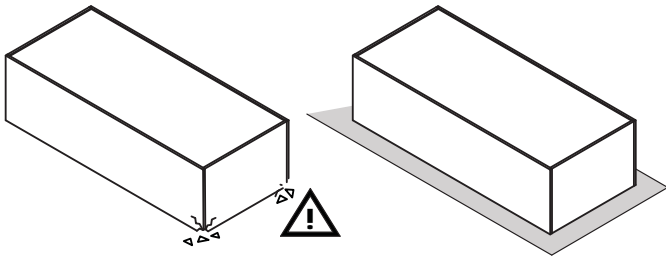
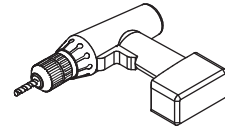
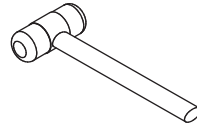
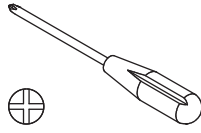


✗ **FI3341**





1,5h



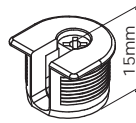
H185
x1



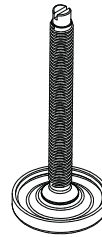
H129
x2



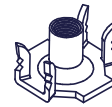
V81
x2



T70
x4



P22
x2



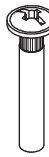
H119
x2



H2
x20



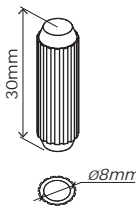
V5
x20



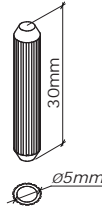
T9
x2



V32
x2



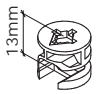
H1
x8



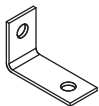
H81
x8



G182
x4



T99
x12



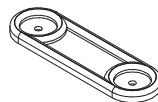
H141
x1



V10
x2



T28
x12



P16
x2



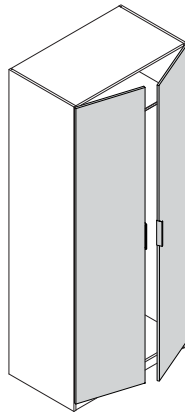
H15
x4



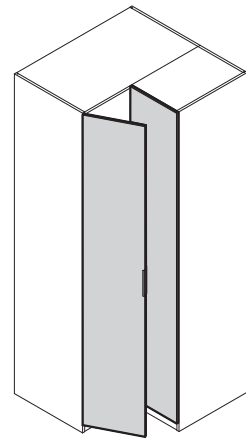
T69
x4



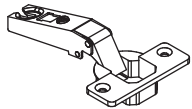
H113
x8



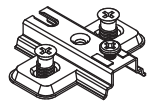
2X AN



1X AN



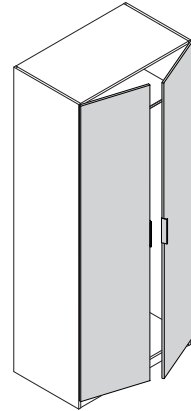
C66
x4



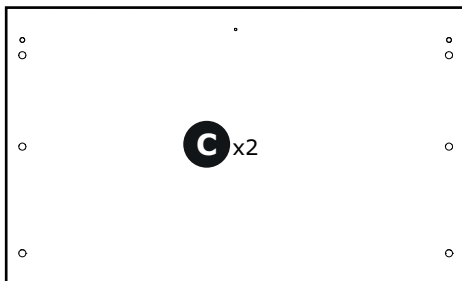
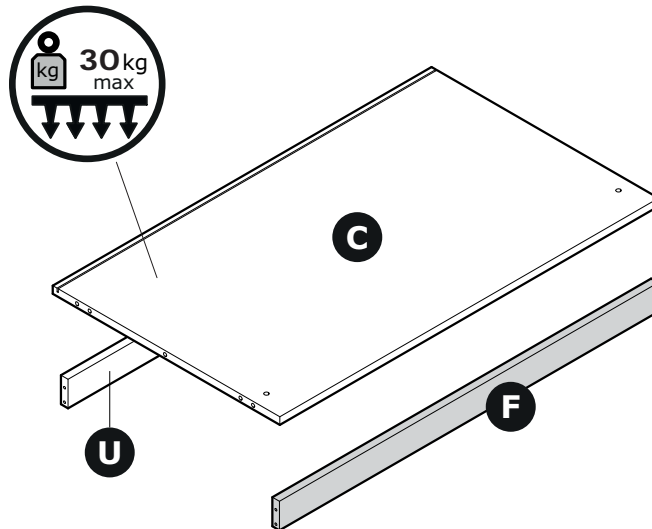
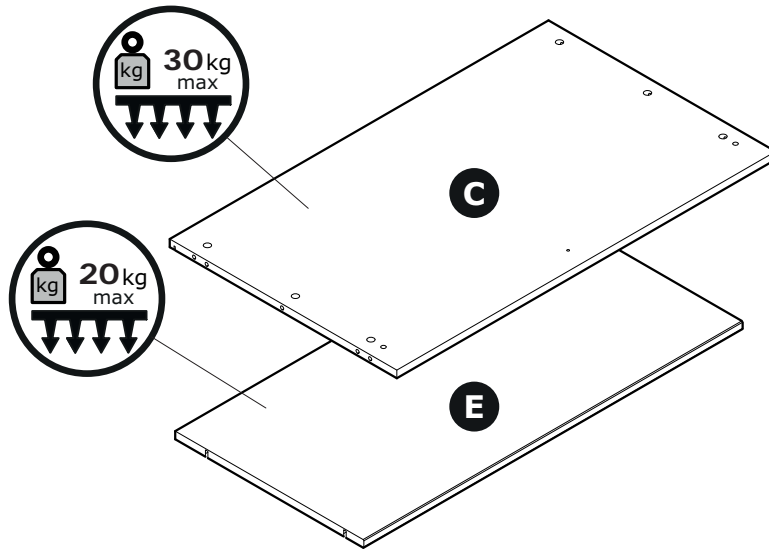
B30
x4



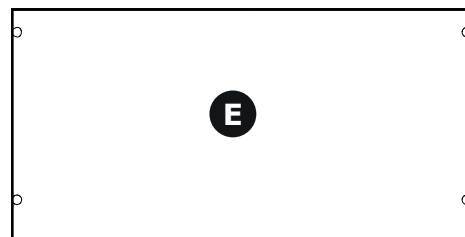
V5
x8



2X AN



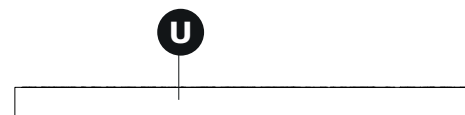
PI7111
964x578x18mm



PI7112
964x480x18mm



ZO1621
964x64x18mm



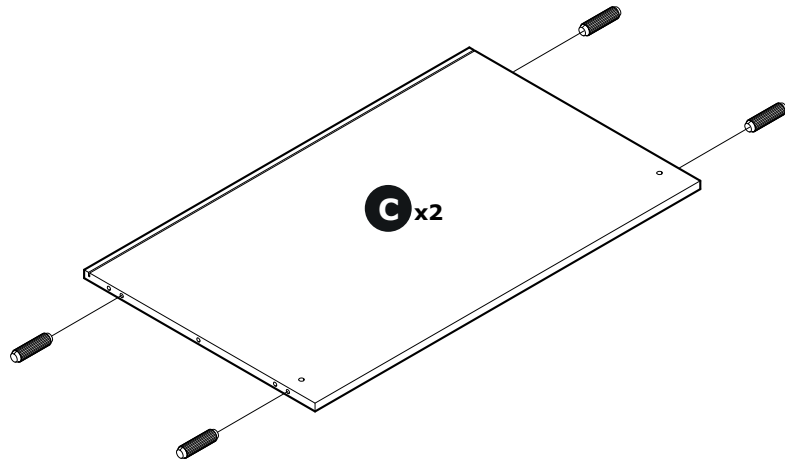
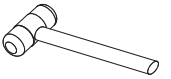
ZO1628
964x64x18mm

1

8x

H1

C x2

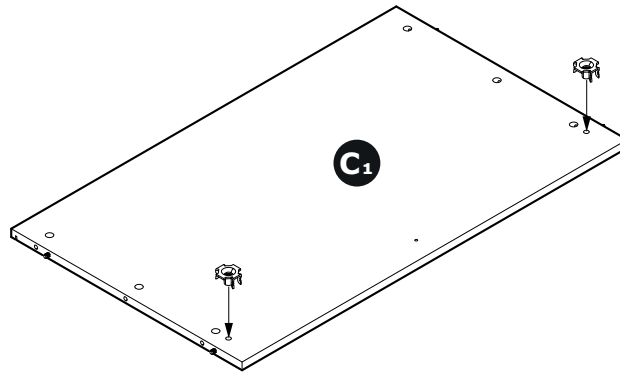
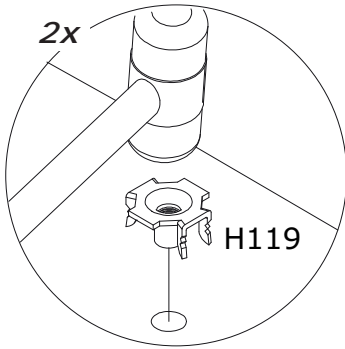
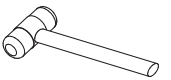


2

2x

H119

C₁



3

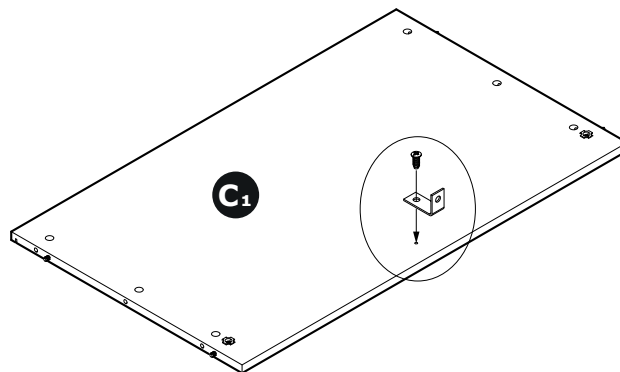
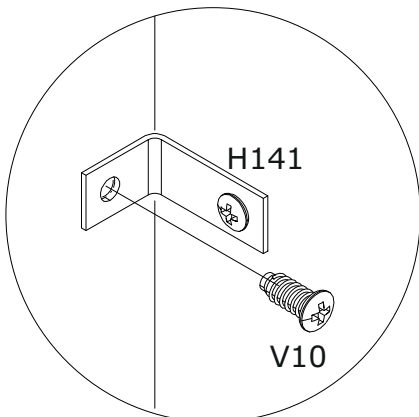
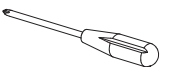
2x

V10

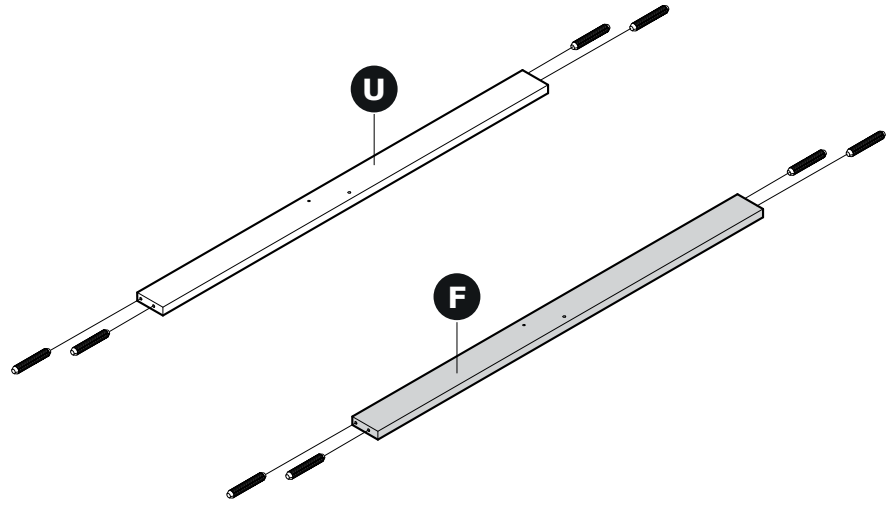
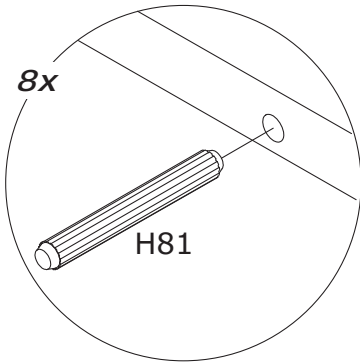
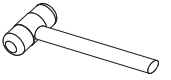
H141

V10

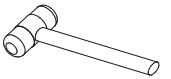
C₁



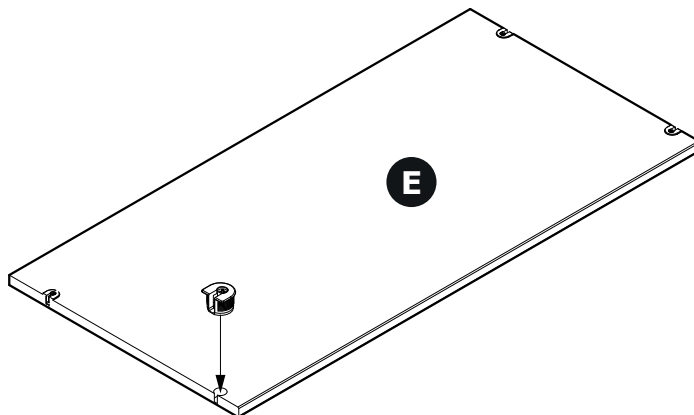
4

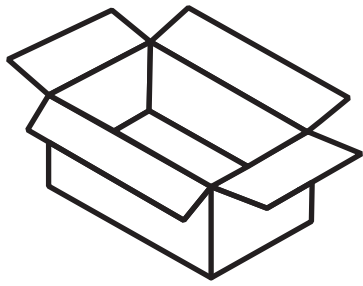


5

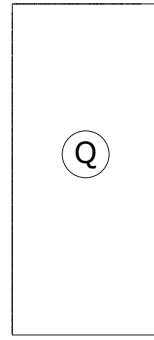
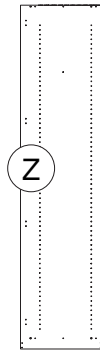
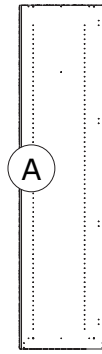


4x

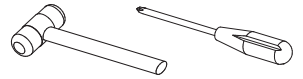




1x FI3399



6



4x

H15

12x

T28

Z

A

H15

P16

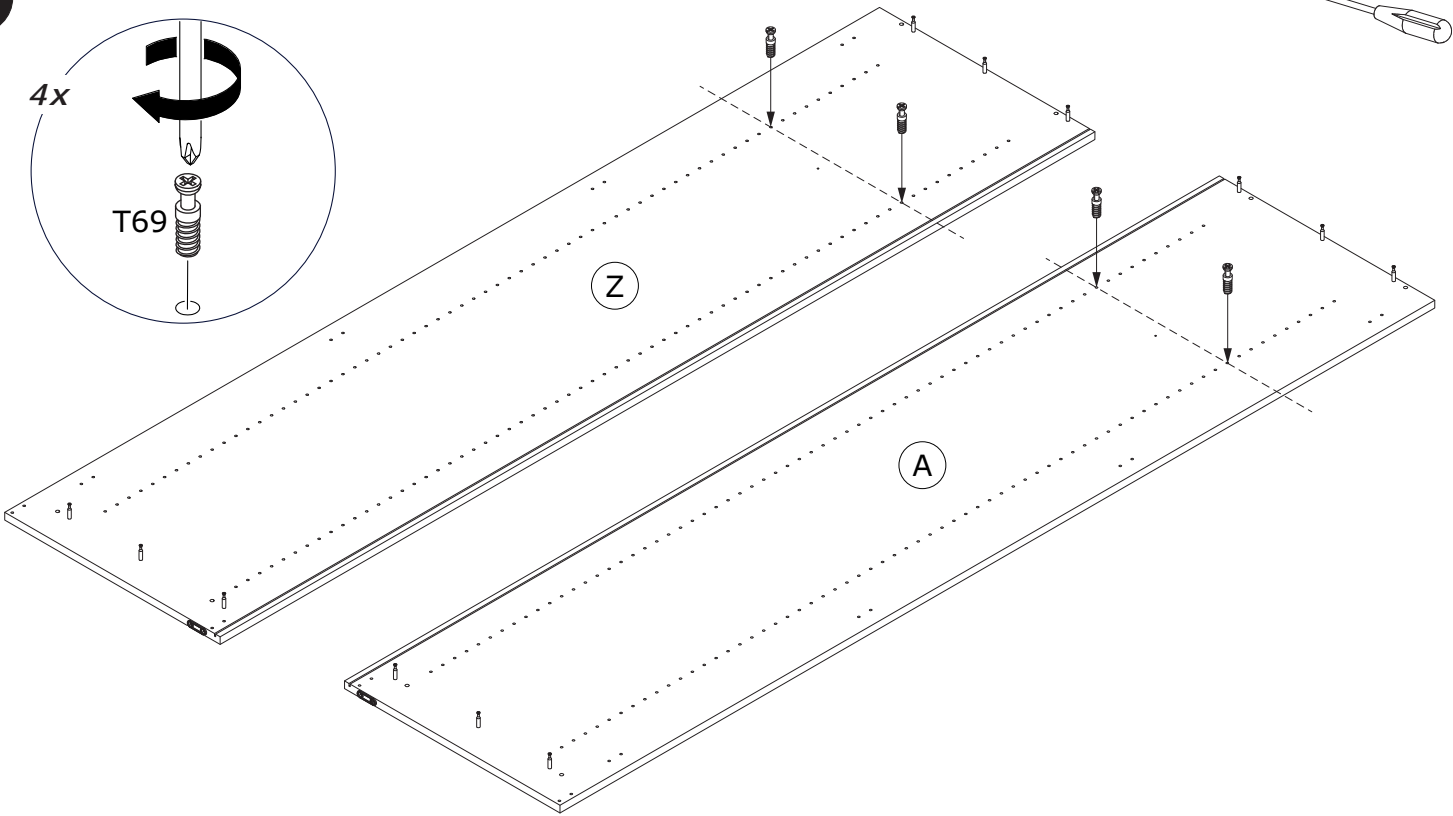
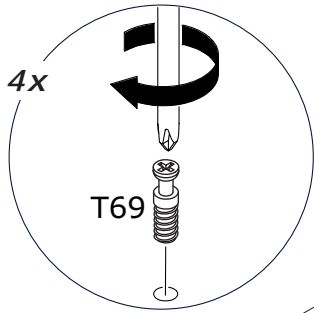
H15

H15

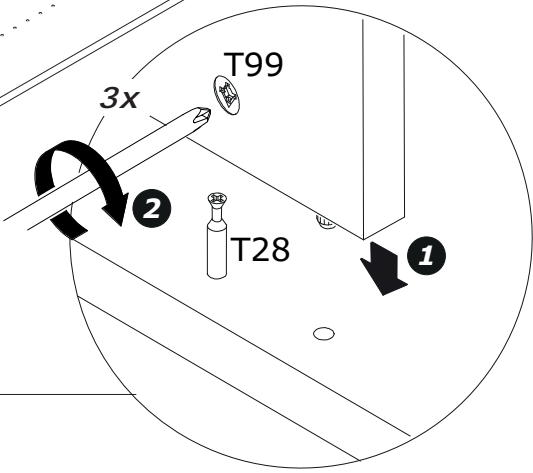
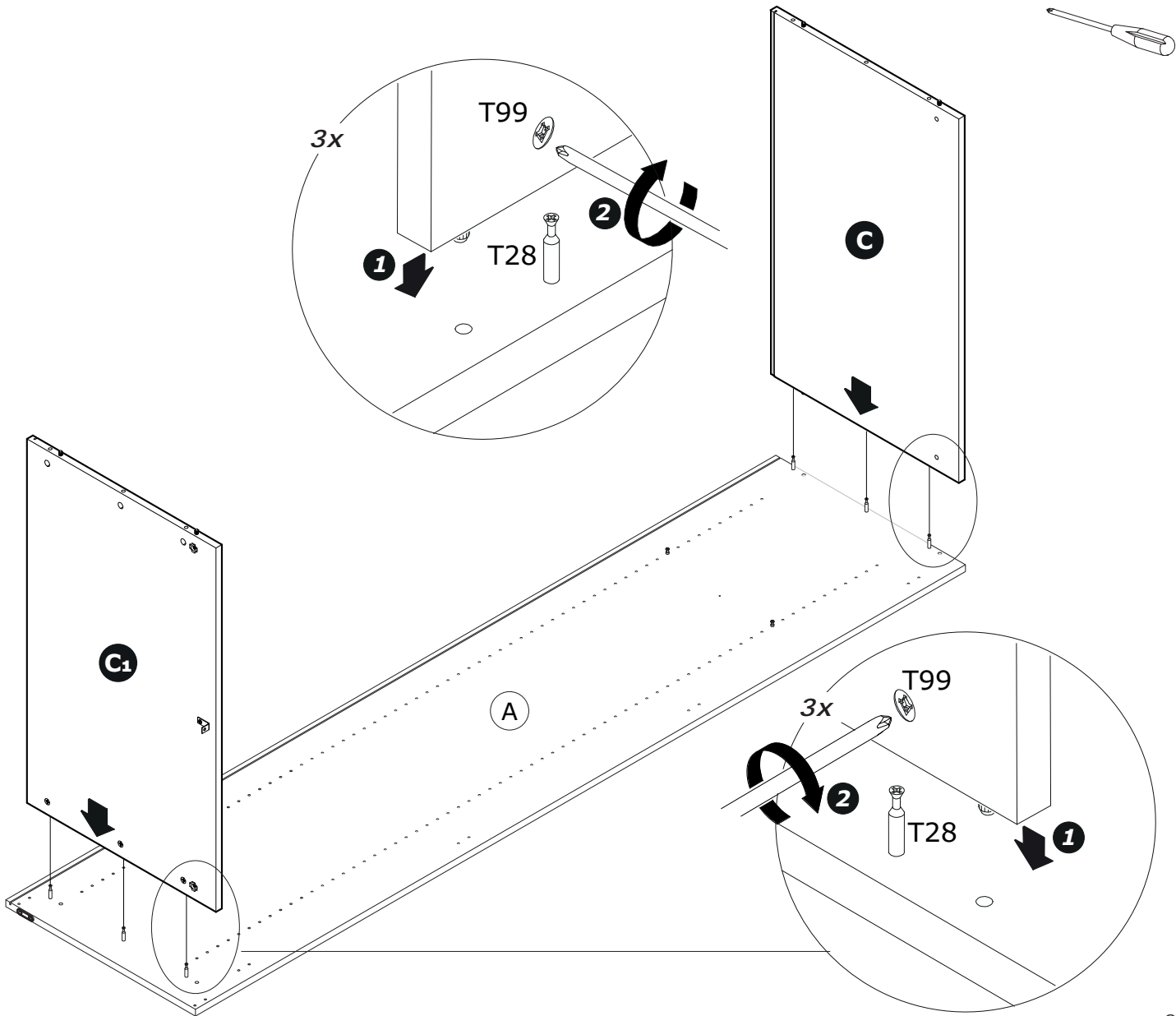
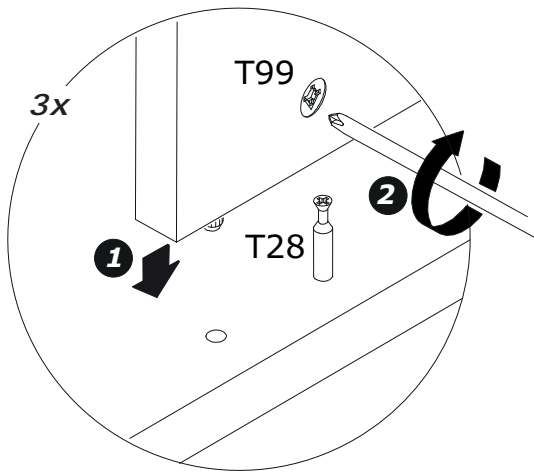
P16

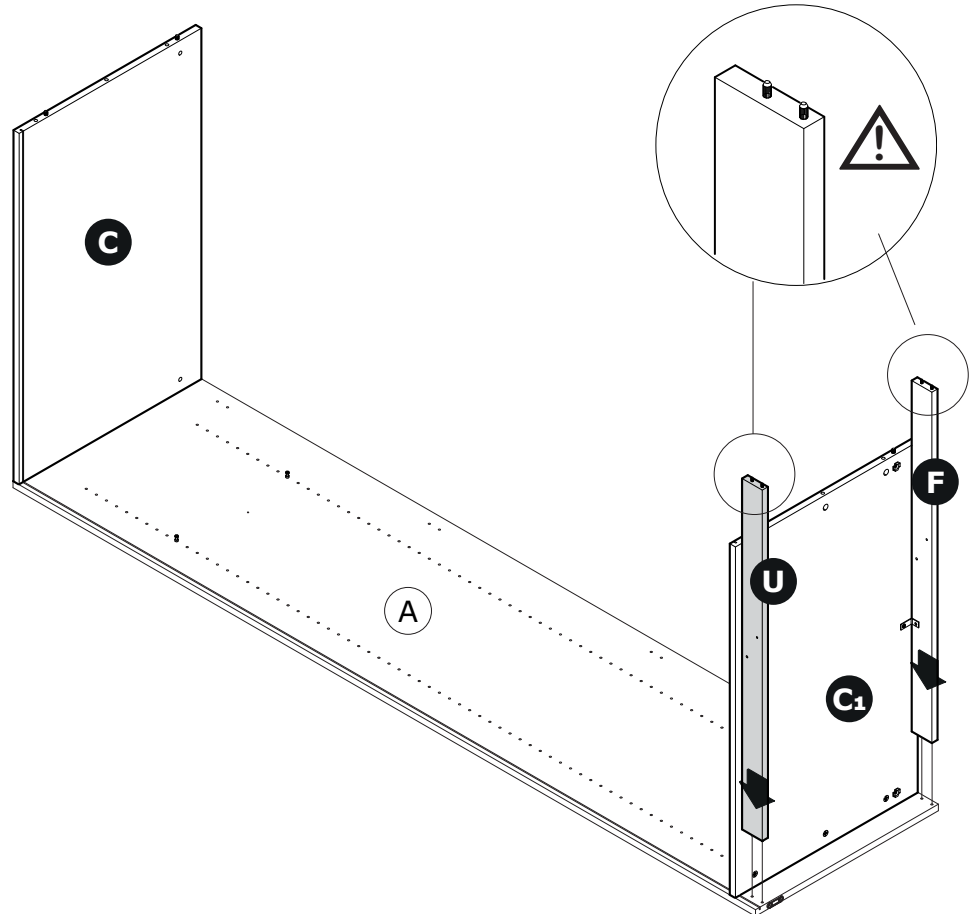
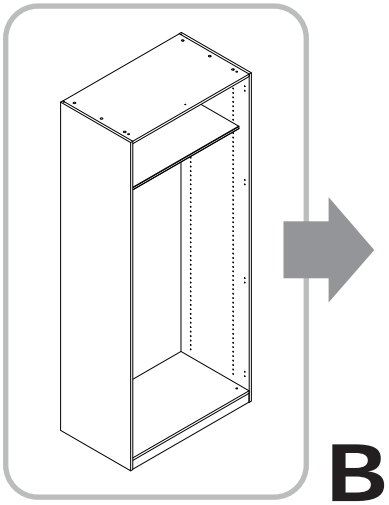
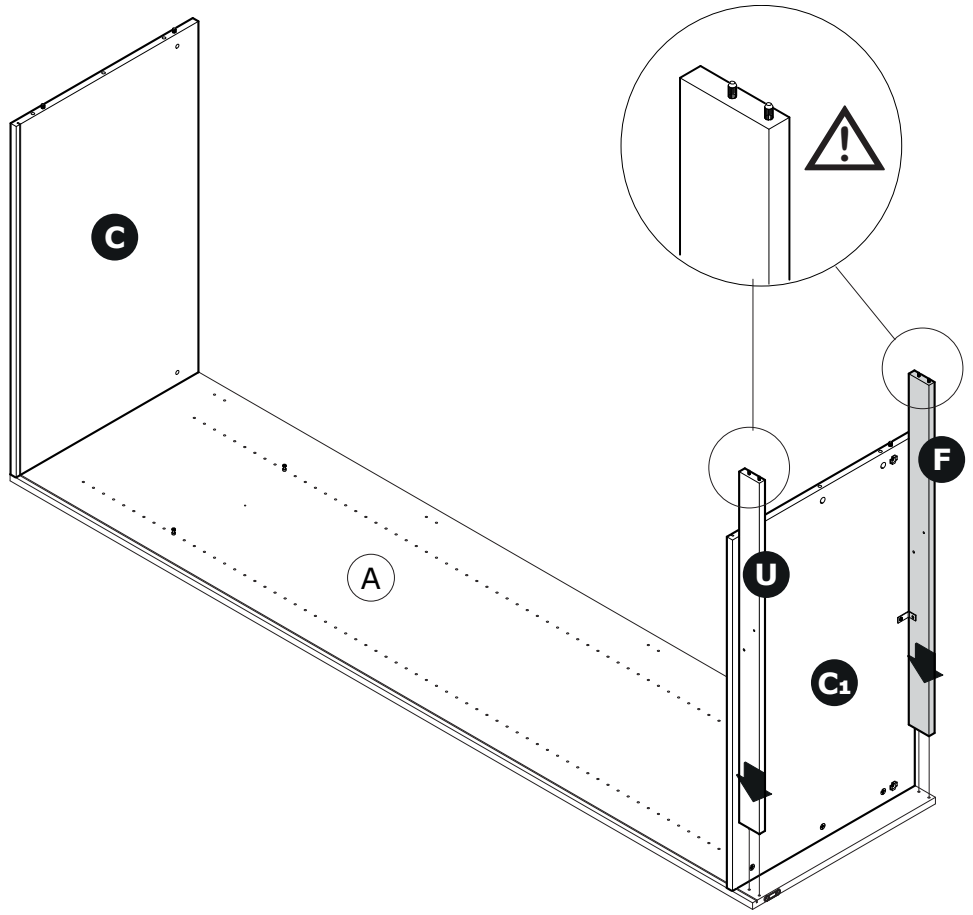
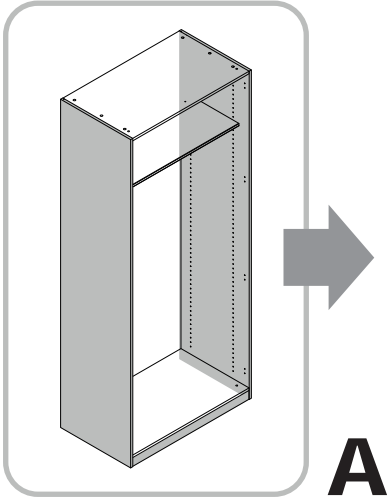
H15

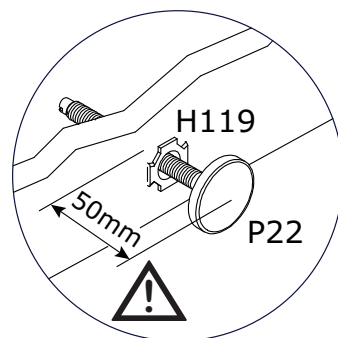
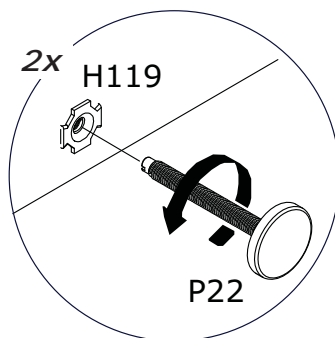
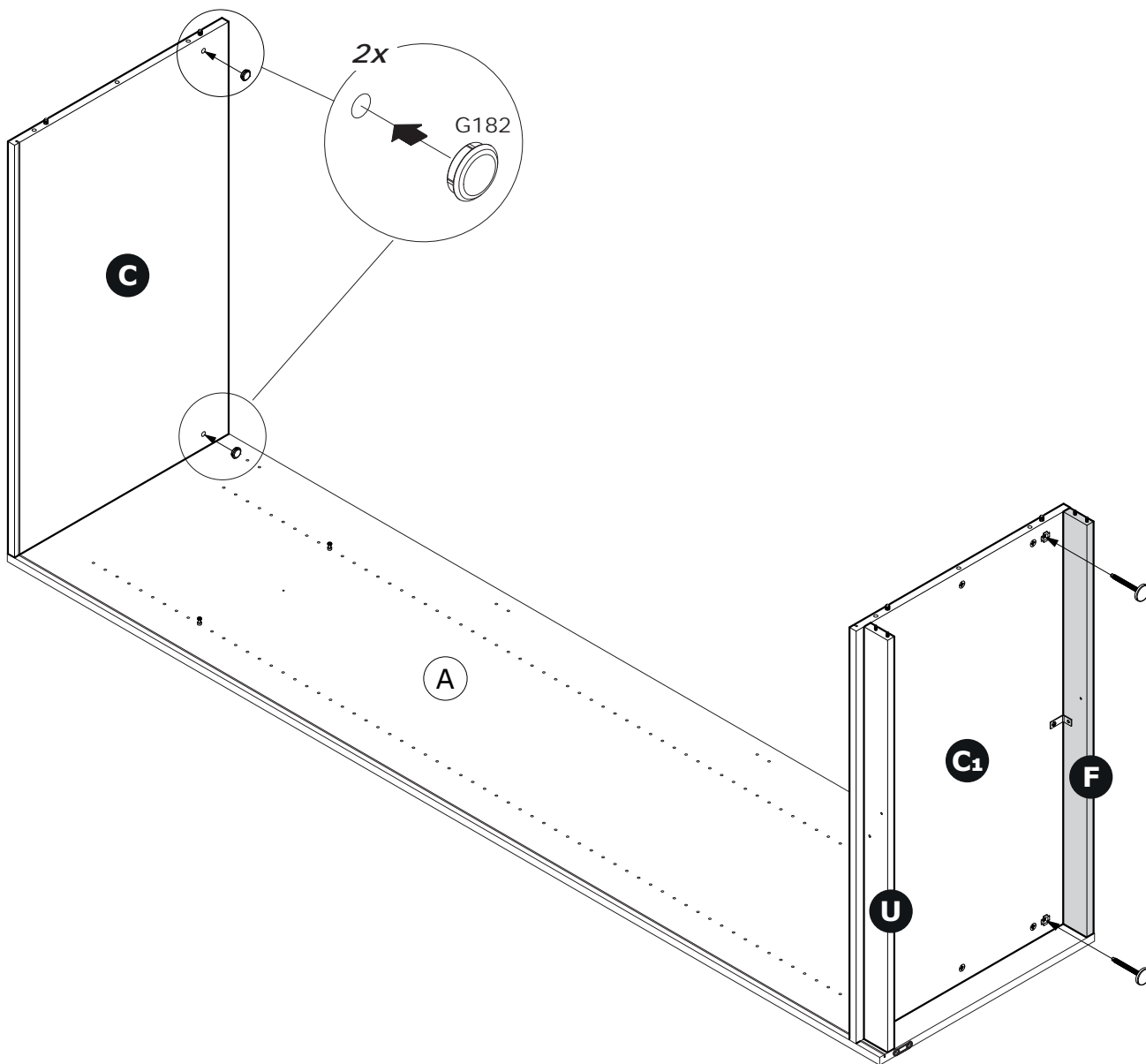
7

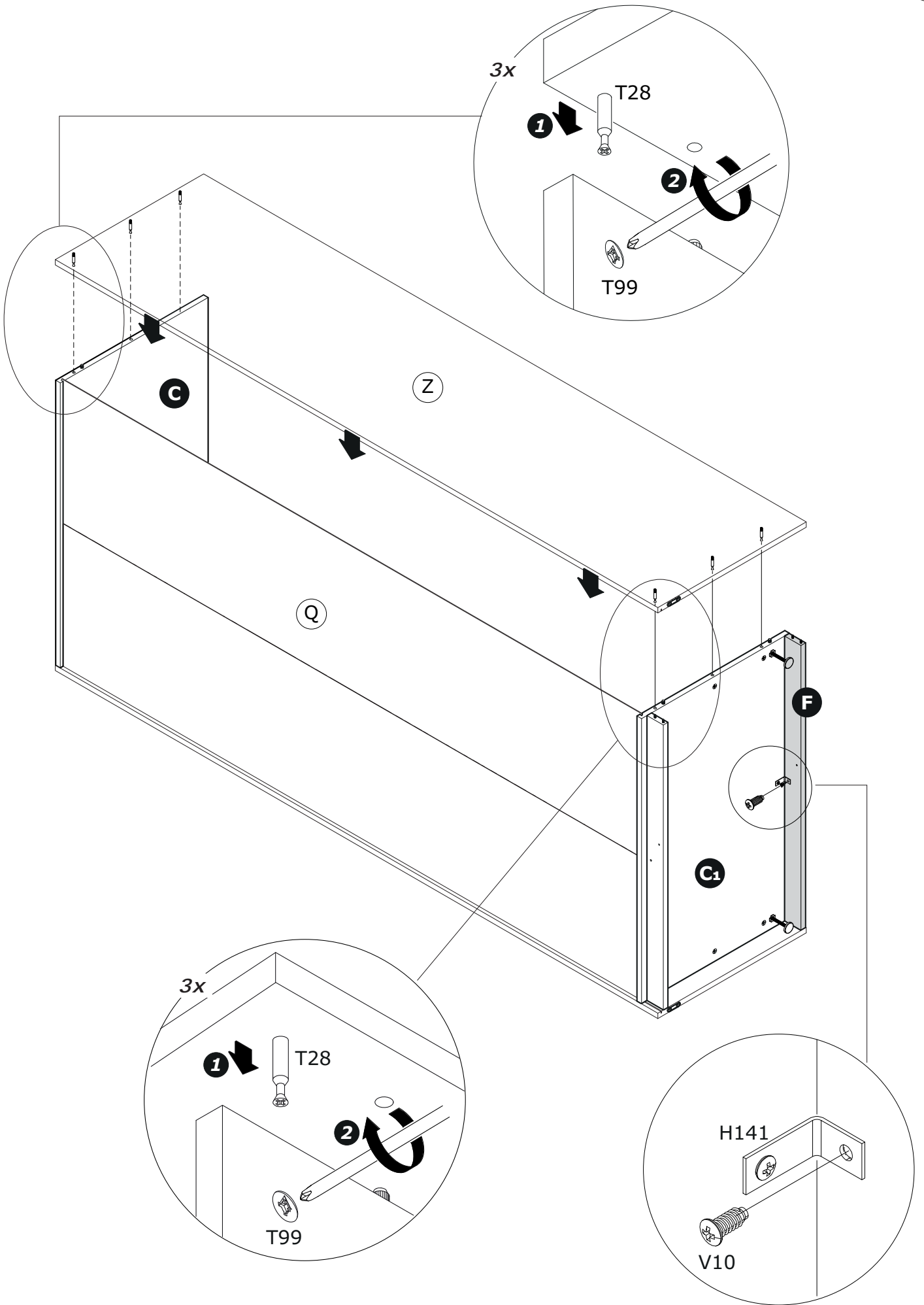
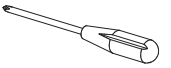


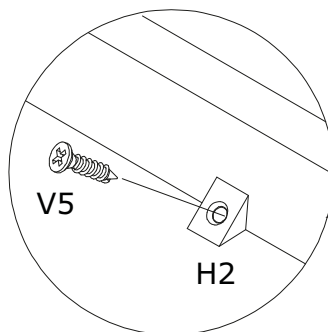
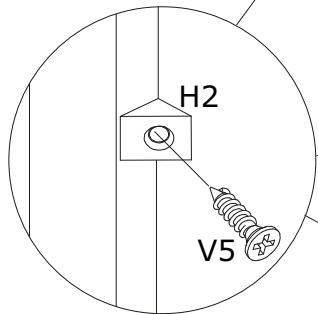
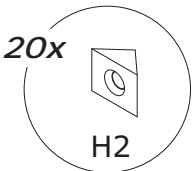
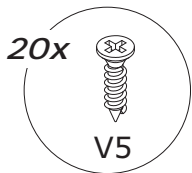
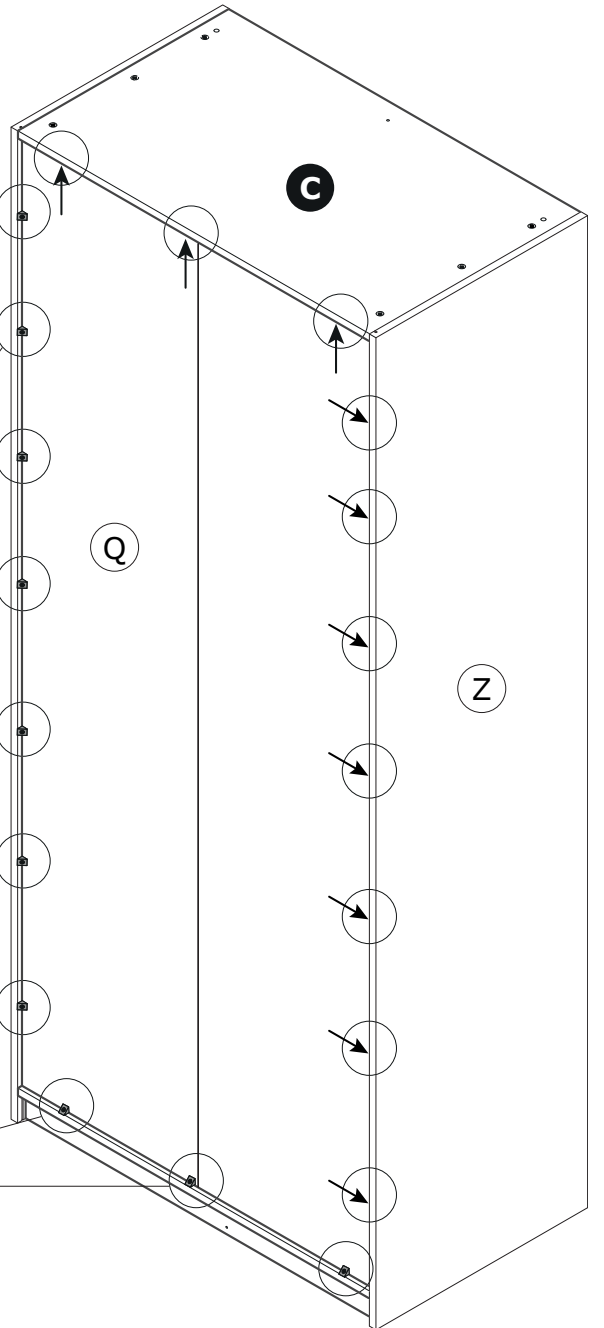
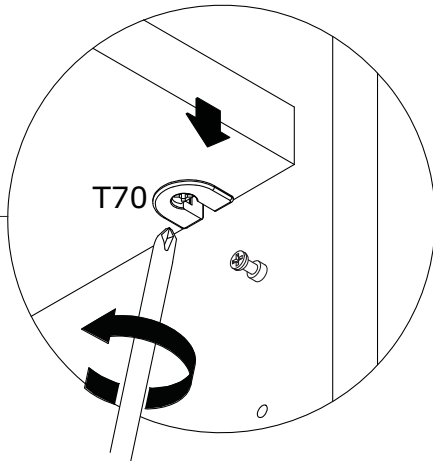
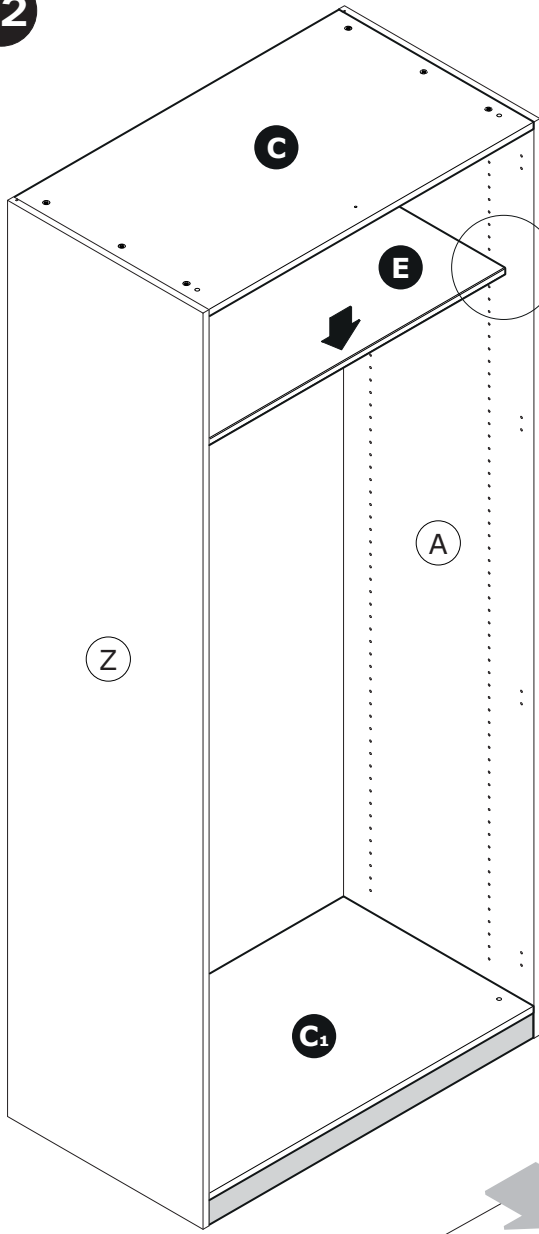
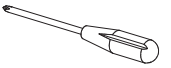
8











13

