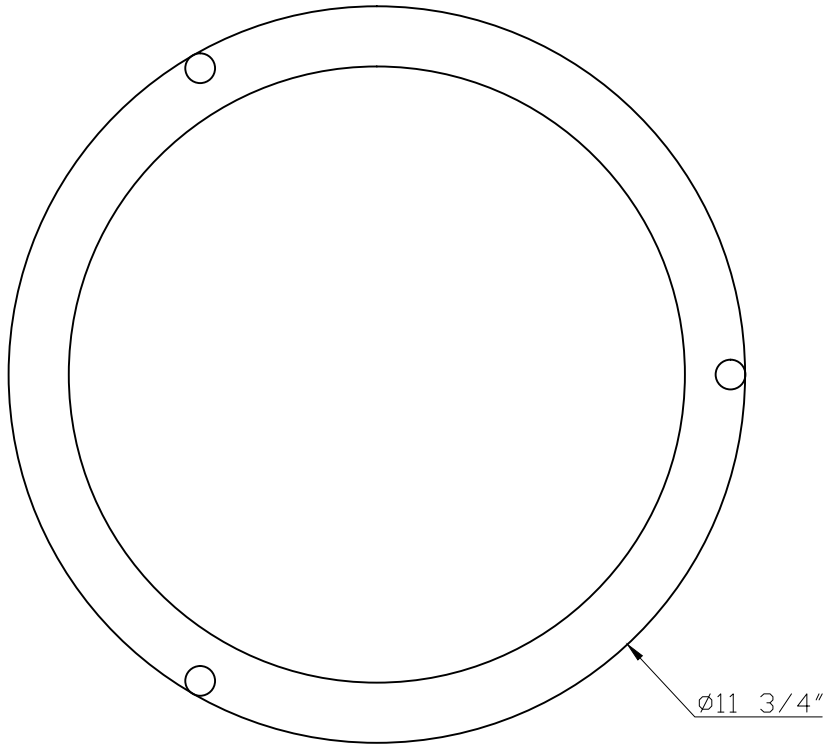
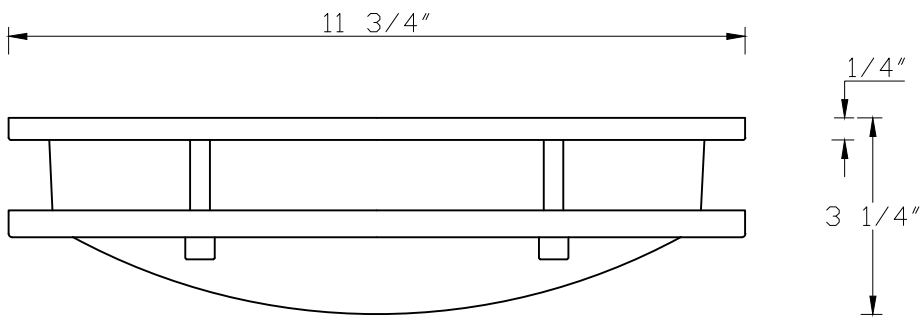


Dimensions



FRONT VIEW



TOP VIEW