

**Model: WF-SH013BN  
WF-SH013MB  
WF-SH013BG**

Brushed Nickel (BN)  
Matte Black (MB)  
Brushed Gold (BG)



# Luxury Shower System

## Thermostatic Mixing Valve 4-Function Shower

- Rainfall shower head
- Valve included
- Hand shower
- Round body jets

Max 2.5 gmp 9.5L/min @ 80psi  
Meets ASME A112.18.1



**LIMITED LIFETIME WARRANTY**

**BUILD WITH CONFIDENCE**

**STANDARDS:**

Meets ASME A112.18.1/CSA B125.1-18 and all applicable requirements referenced therein, as well as California Proposition 65.

**INSTALLATION:**

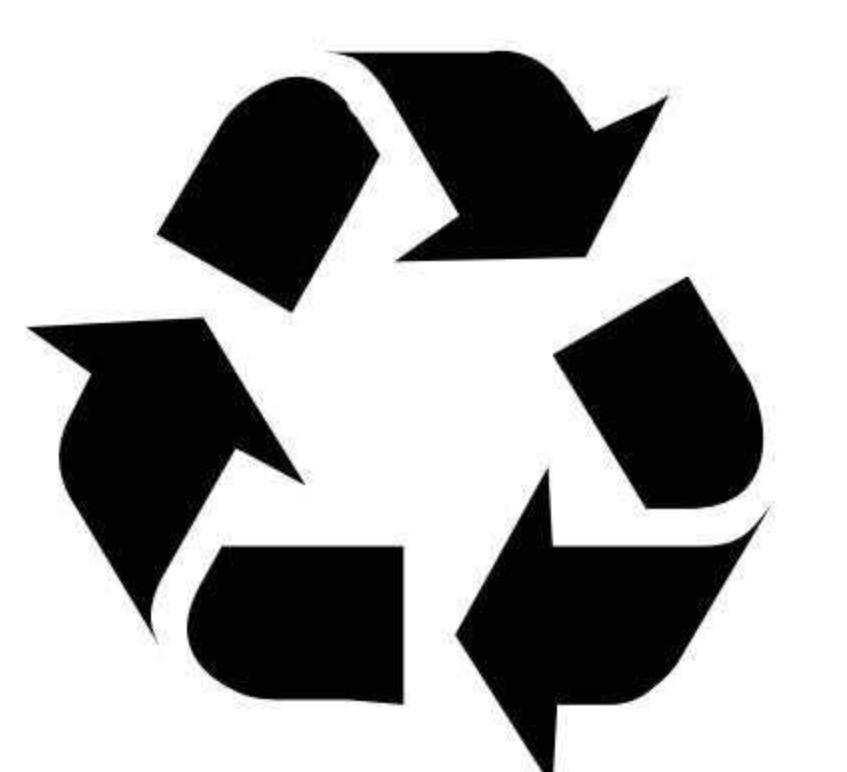
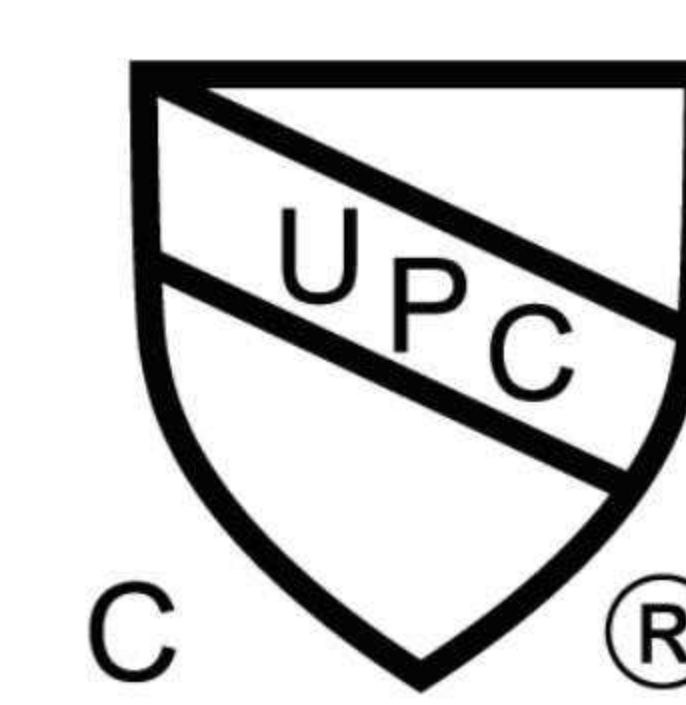
For proper installation and to ensure compliance with applicable standards, this product must be installed by a qualified plumber.

**DESCRIPTION:**

- Rainfall shower head
- Valve included.
- Hand shower.
- Round body jets.

**FINISH:**

Matte Black. Brushed Nickel. Brushed Gold.



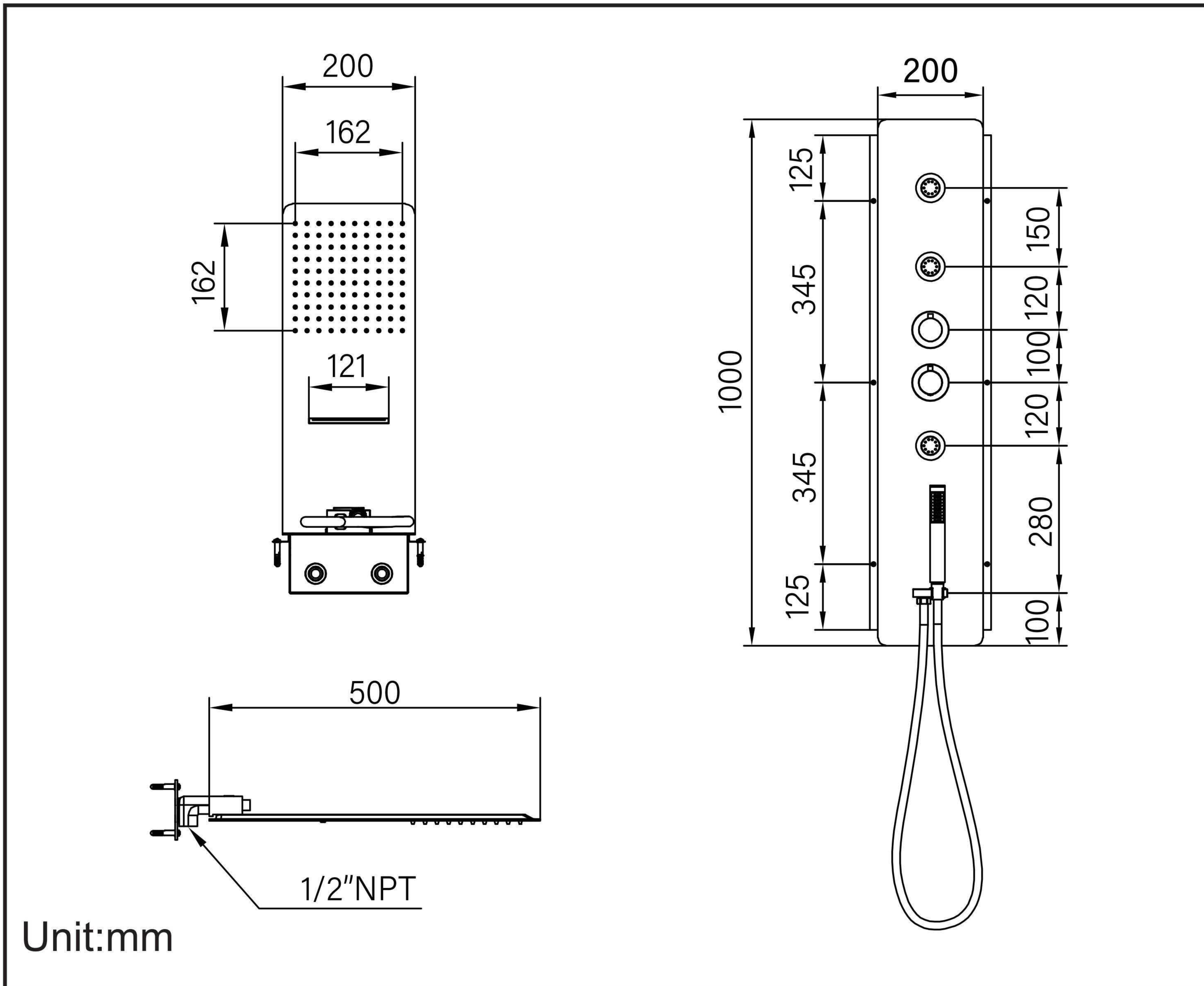
Limited Lifetime Warranty

[www.wellfor.com](http://www.wellfor.com)

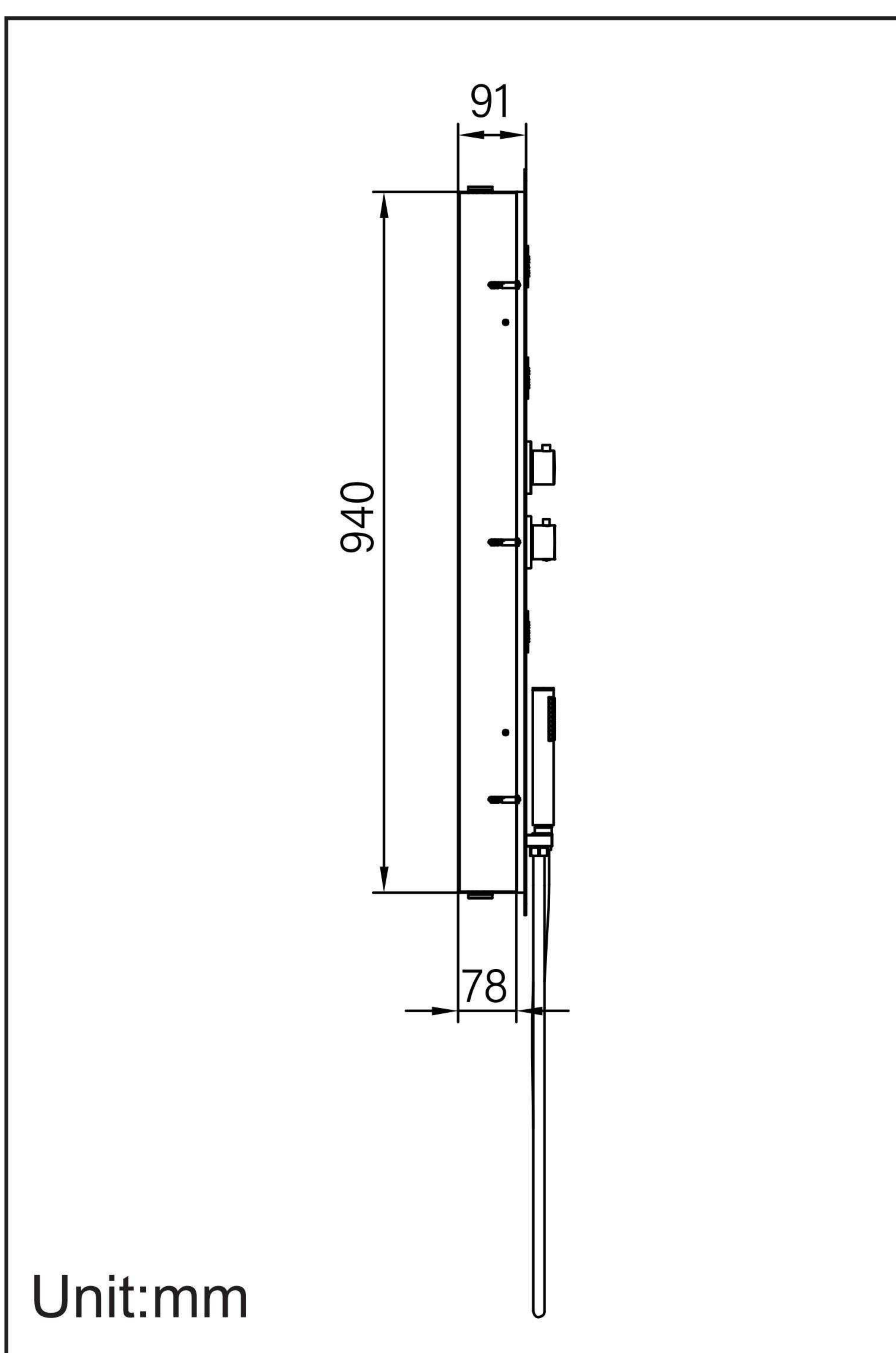
[service@wellfor.com](mailto:service@wellfor.com)

Product Designed in the USA

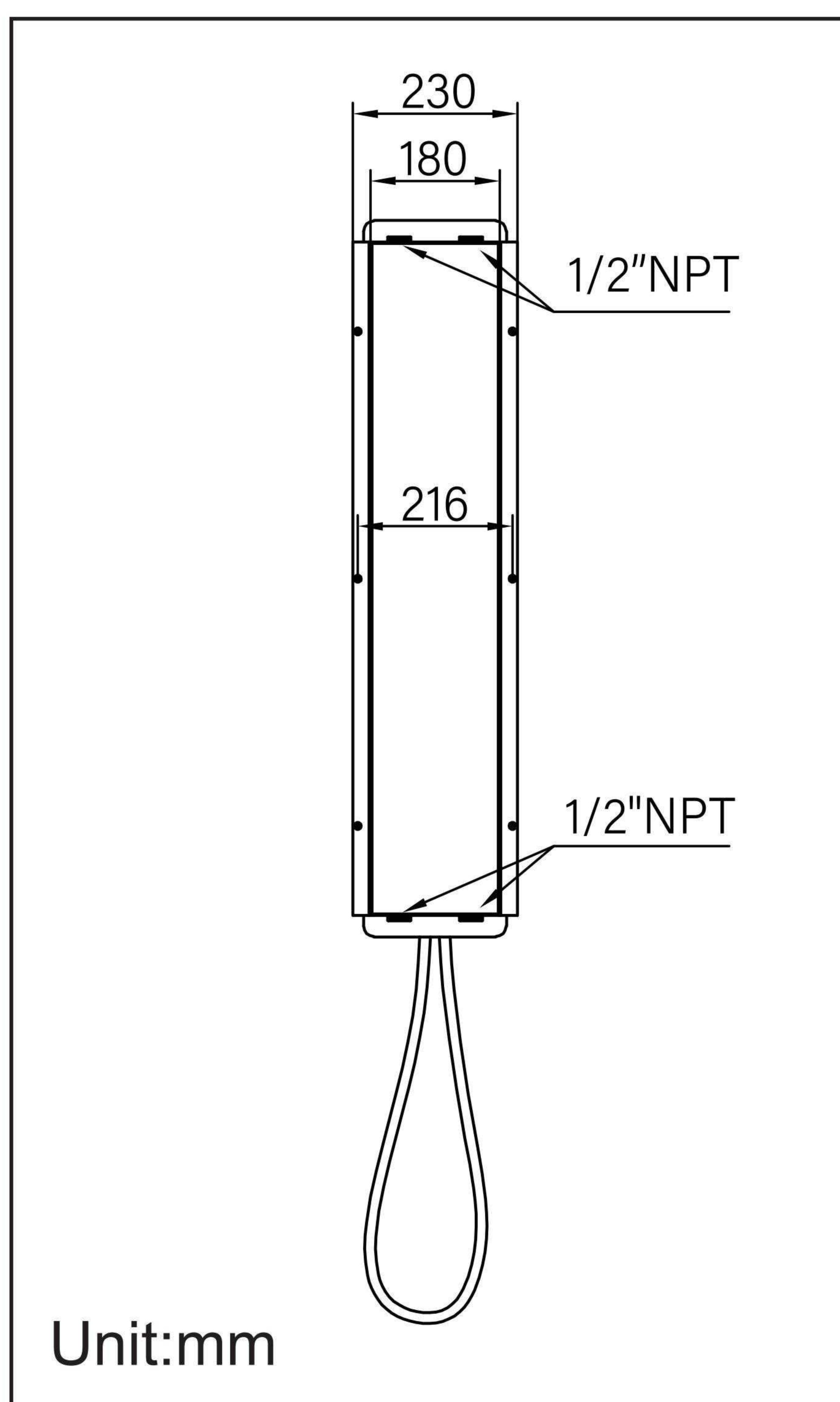
MADE IN CHINA



Unit:mm



Unit:mm



Unit:mm

# 4-FUNCTION SHOWER SYSTEM

## BEFORE YOU BEGIN

We recommend consulting a professional if you are unfamiliar with installing plumbing fixtures. Wellfor accepts no liability for any damage to the plumbing, floor, walls, tub, or for personal injury during installation.

Observe all local plumbing and building codes.

Unpack and inspect the item for shipping damage. If any damage is found, contact our Customer Relations team at 206.809.0093.

---

## GETTING STARTED

Ensure that you have gathered all the required materials that are needed for the installation.

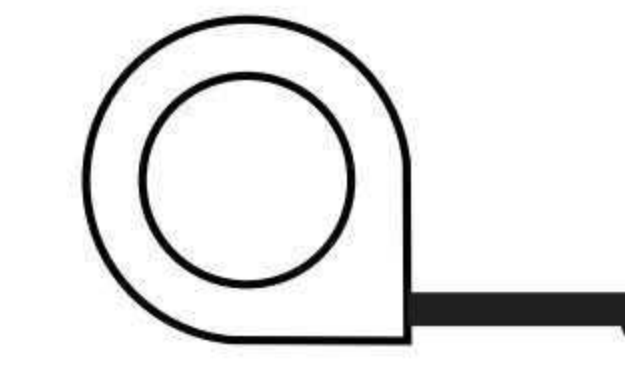
For the following installation instructions, it is assumed that the wall has been opened and that the existing shower set has been removed.

Before you begin, the main water supply to your home should be shut off.

## TOOLS AND MATERIALS:



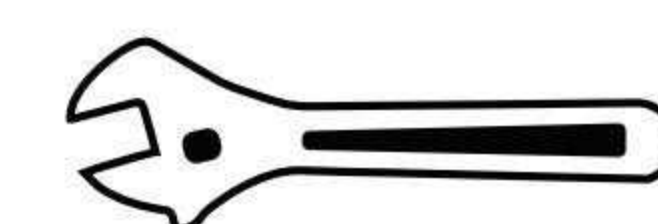
Plumbers Tape



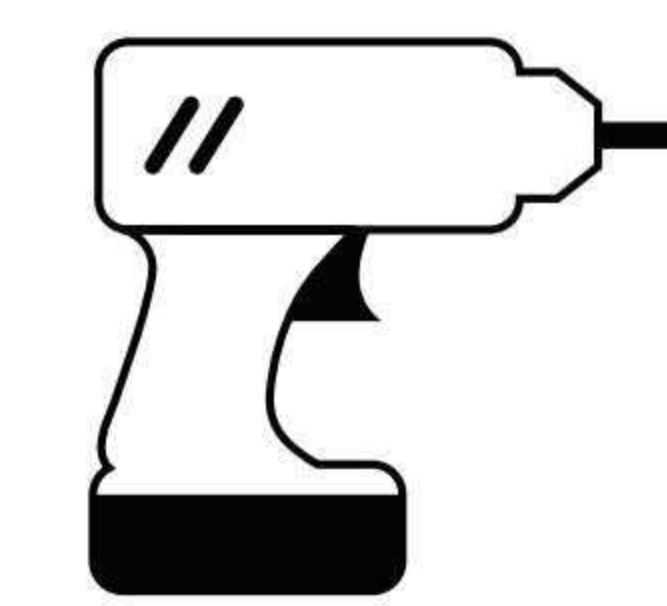
Tape Measure



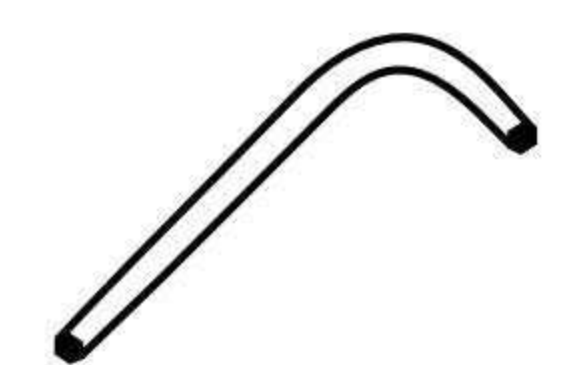
Phillips Screwdriver



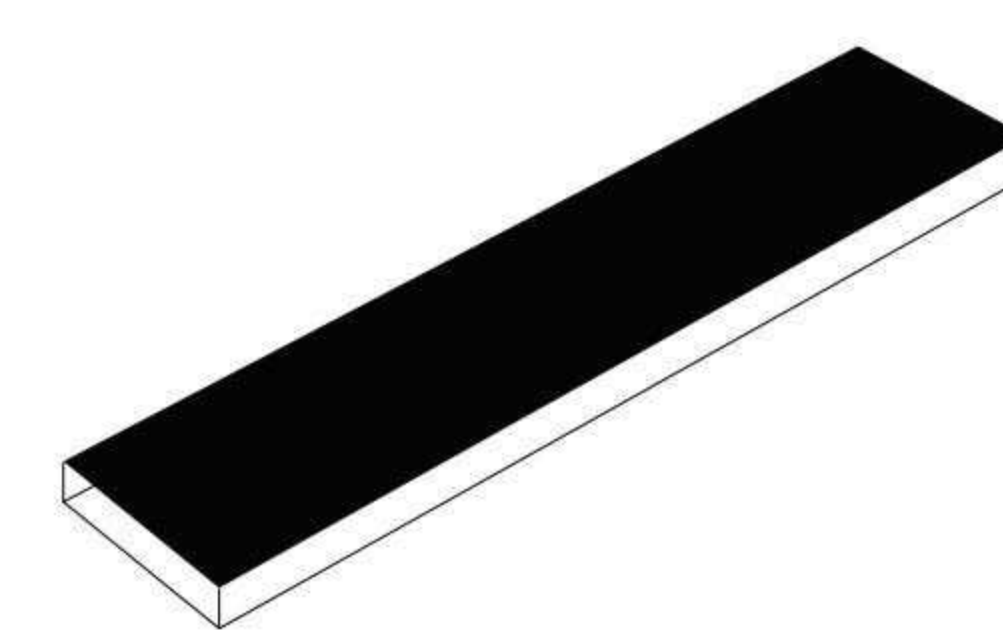
Adjustable Wrench



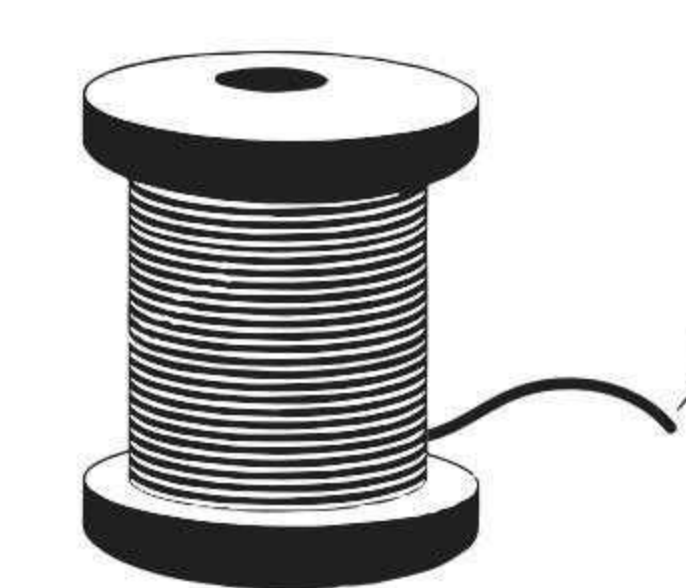
Drill



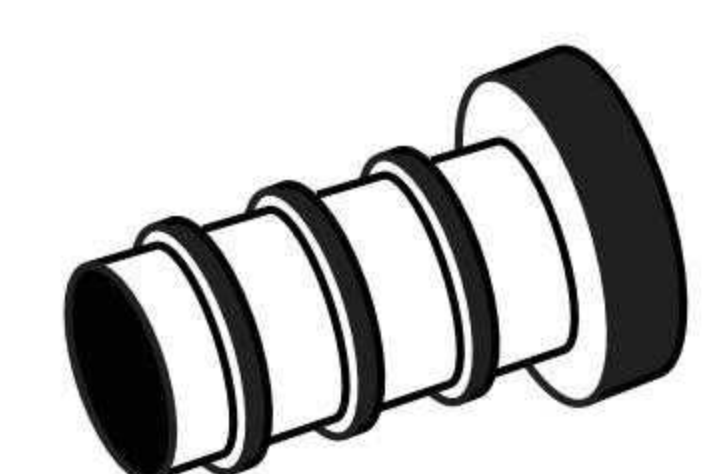
Hex Wrench



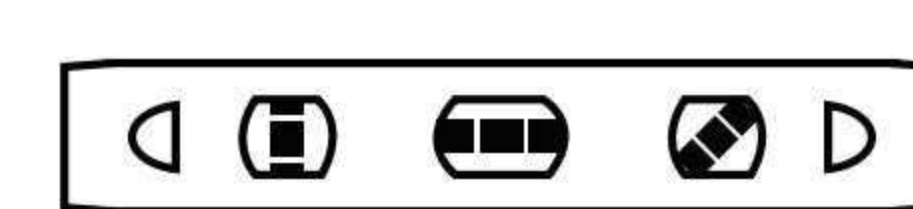
Wood Blocking



Soldering Kit  
(for copper pipe)



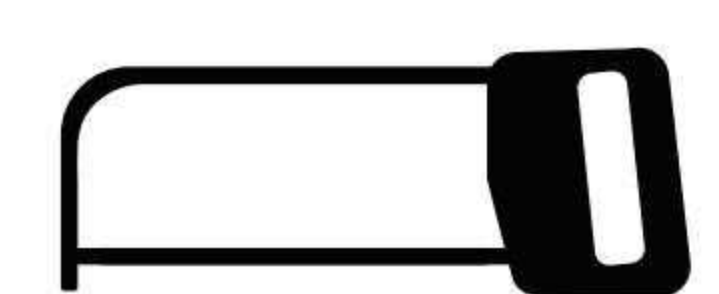
1/2" Test Plug



Level



Pencil or  
Marker



Hacksaw



**\*All dimensions and specifications are nominal and may vary. Use actual products for accuracy in critical situations.\***

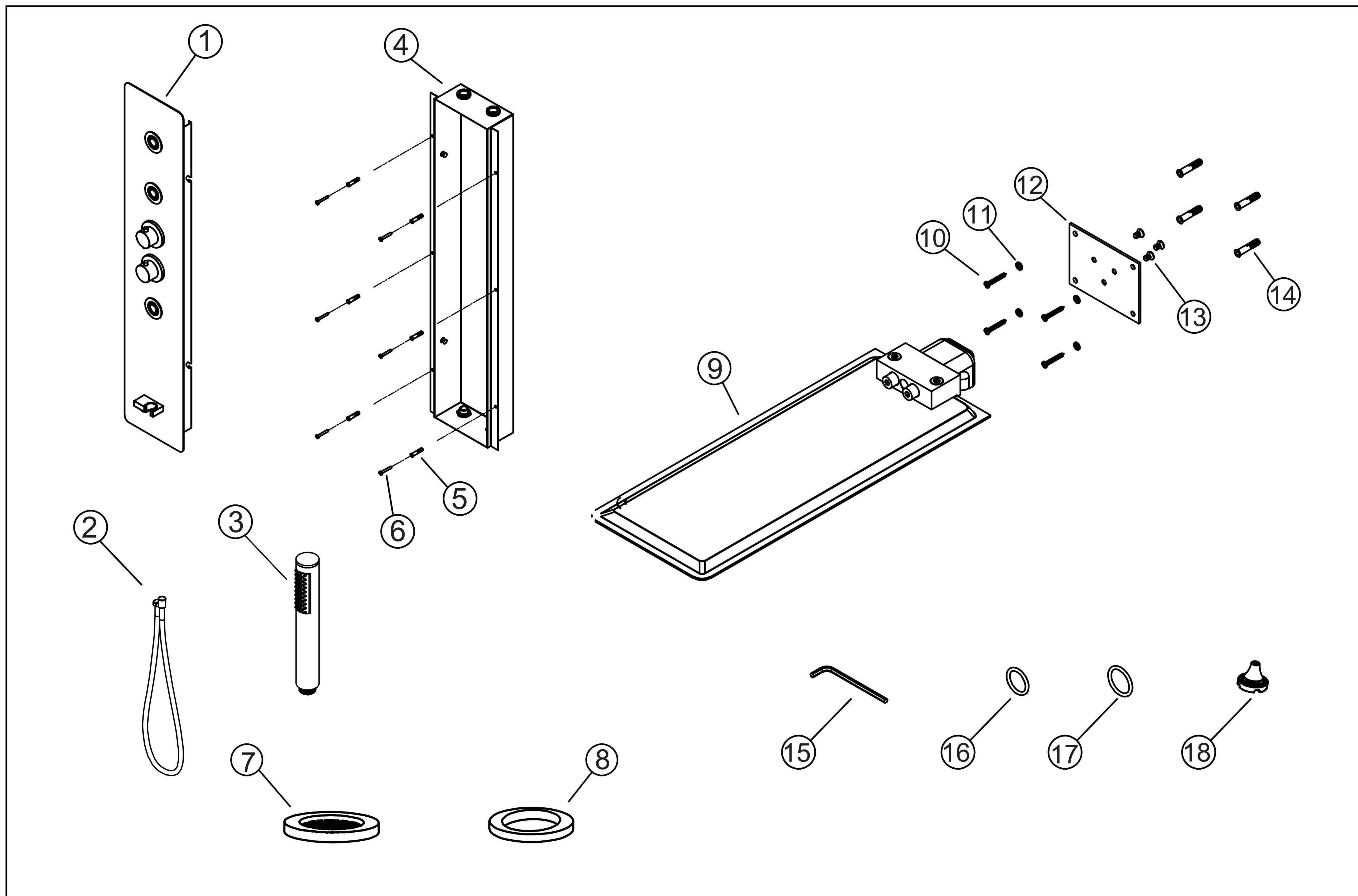


**\*Accessories size, style and shape may vary from the picture above. Instruction purpose only.\***

# 4-Function Thermostatic Shower

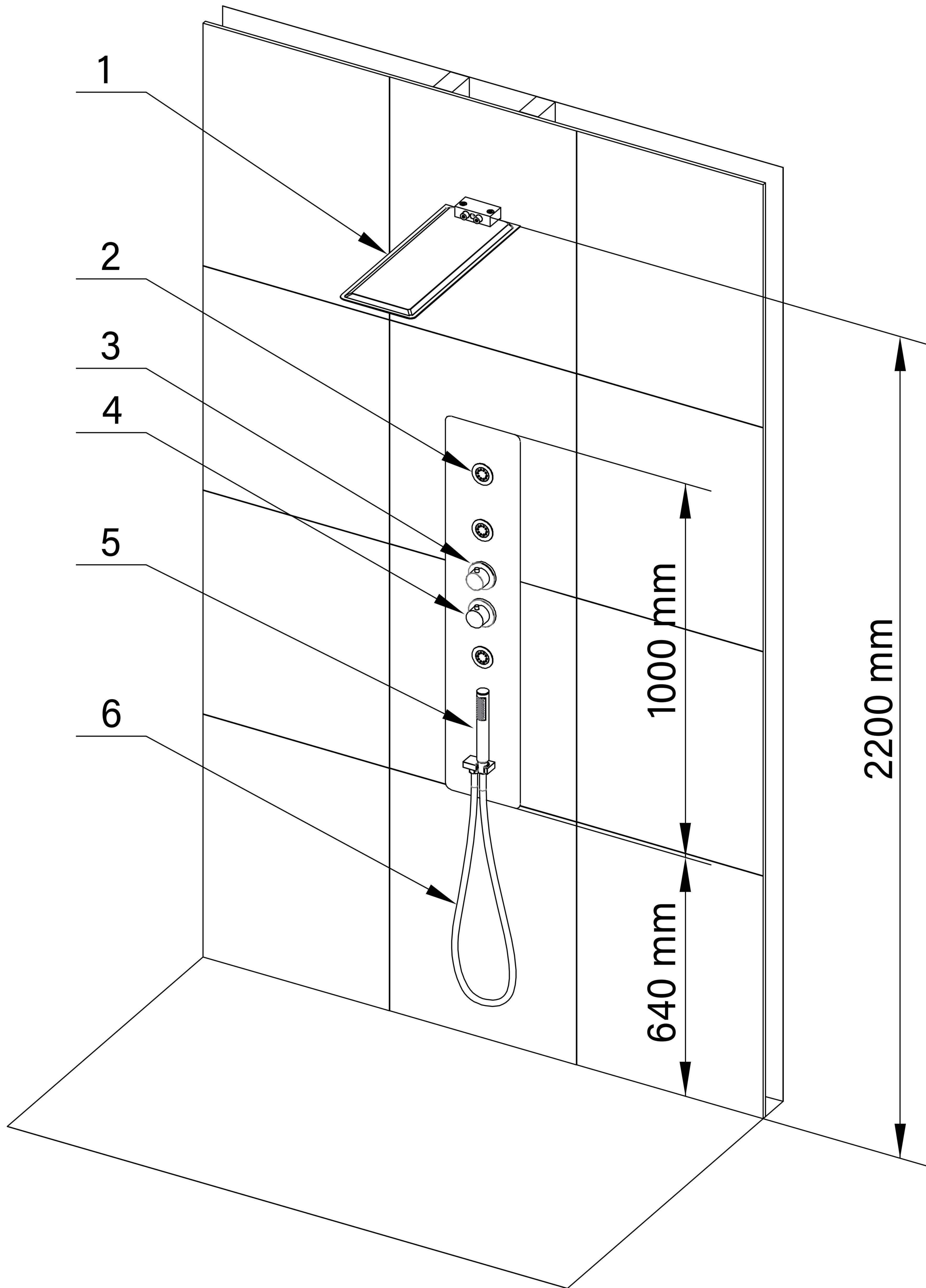
Model:WF-SH013BN/WF-SH013MB/WF-SH013BG

## ACCESSORIES LIST



| S/N | MODELS                                  | QTY | S/N | MODELS                                     | QTY |
|-----|---|-----|-----|--|-----|
| 1   | Shower panel                            | 1   | 10  | Self tapping screws M5*40                  | 4   |
| 2   | Shower hose                             | 1   | 11  | Stainless Steel Washers                    | 4   |
| 3   | Hand shower                             | 1   | 12  | Fixed plate                                | 1   |
| 4   | Concealed box                           | 1   | 13  | Cross groove countersunk head screws M6*10 | 3   |
| 5   | Wall plugs                              | 6   | 14  | Wall plugs                                 | 4   |
| 6   | Self tapping screws M5*40               | 6   | 15  | Hexagonal wrench                           | 1   |
| 7   | Filter washers 19*3 (additional spares) | 2   | 16  | O-rings 18*2.0 (additional spares)         | 4   |
| 8   | Rubber washers 19*3 (additional spares) | 2   | 17  | O-rings 20*2.0 (additional spares)         | 4   |
| 9   | Rainfall head shower                    | 1   | 18  | Rubber nozzles (additional spares)         | 5   |

# INSTALLATION FEATURE

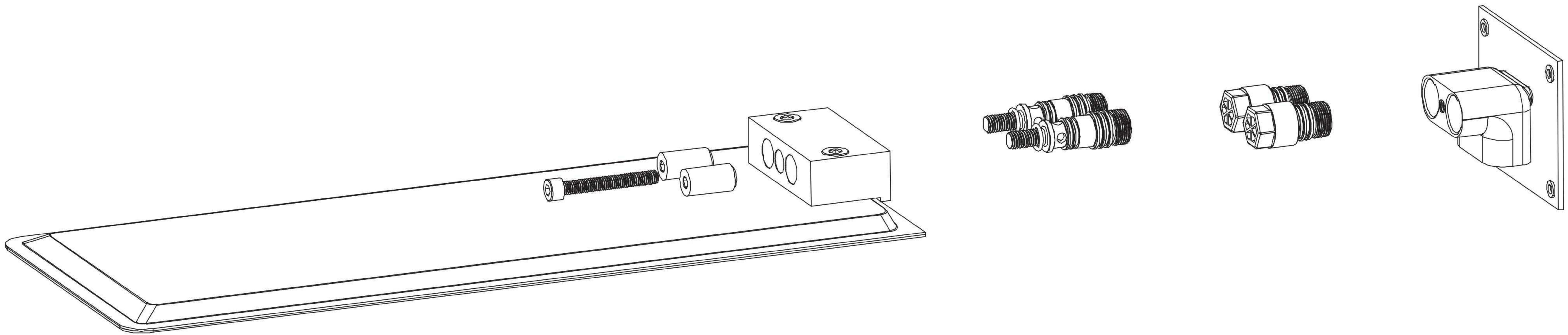


1.shower head  
2.body jet  
3.function control handle

4.temperature control handle  
5.hand shower  
6.shower hose

# SHOWER HEAD INSTALLATION

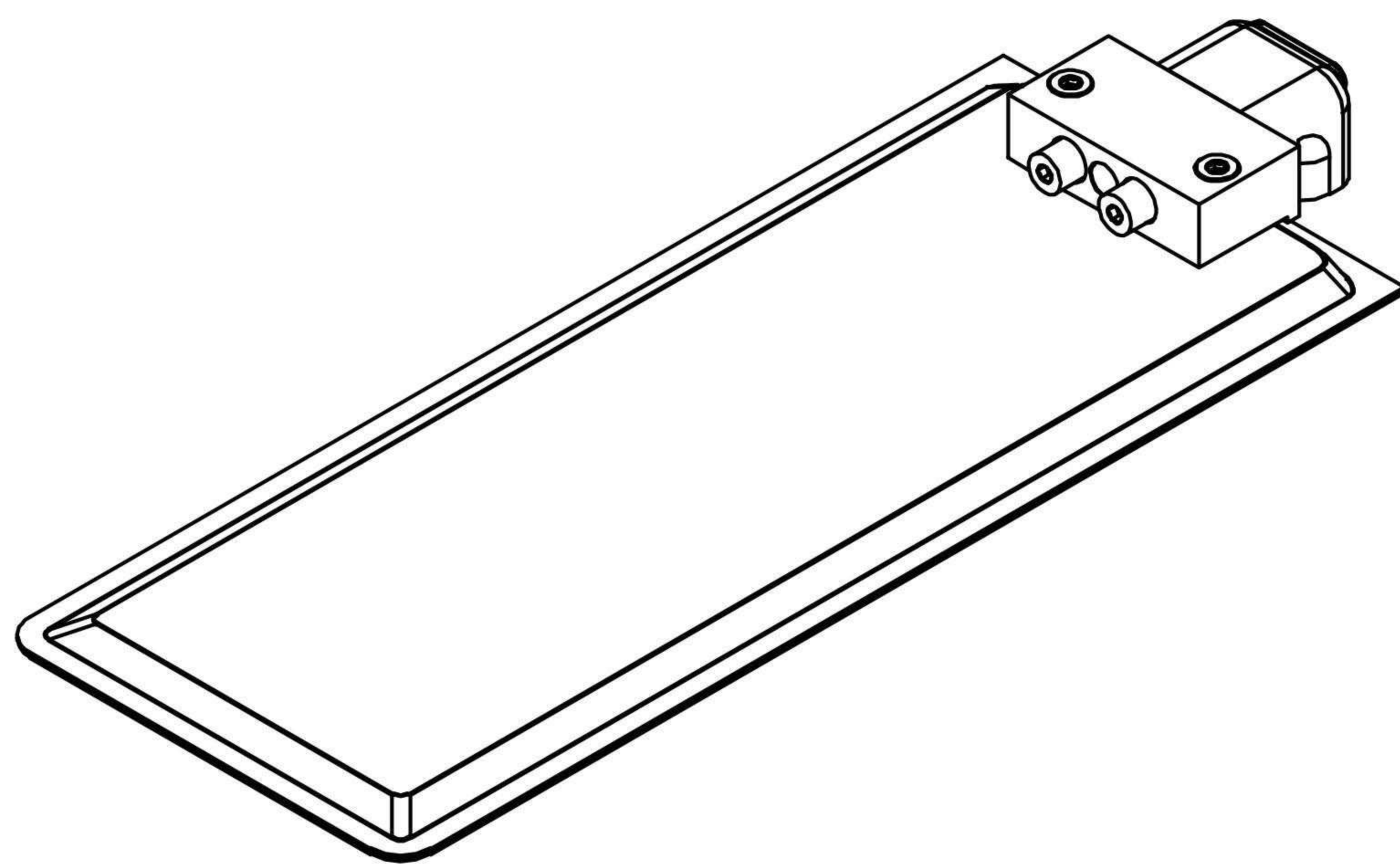
---



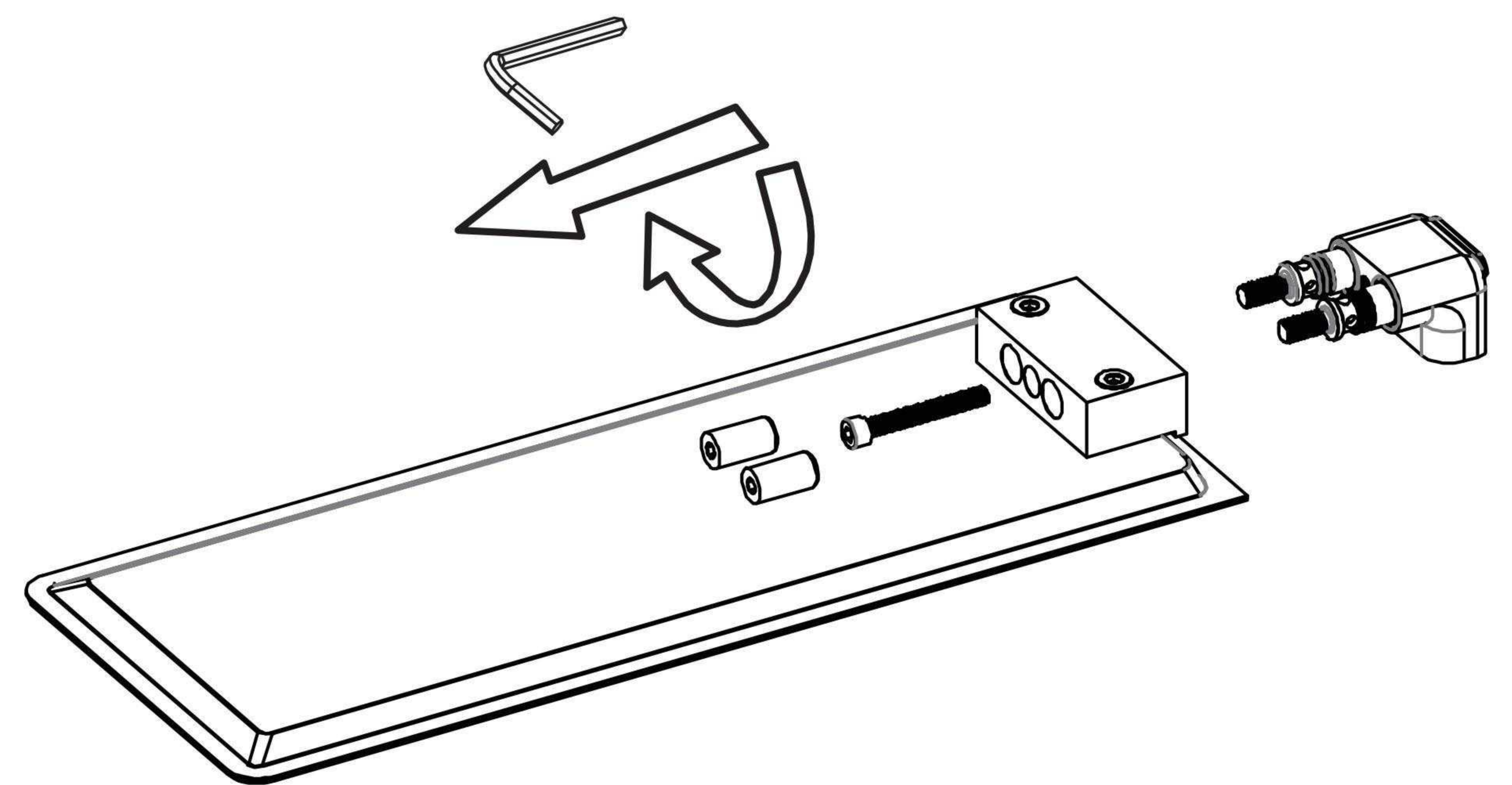
**Note:** Wrap the threaded pipe of NPT1/2 with Teflon tape and screw it into the wall.  
Test the functionality of the head shower. Check for any leaks.

---

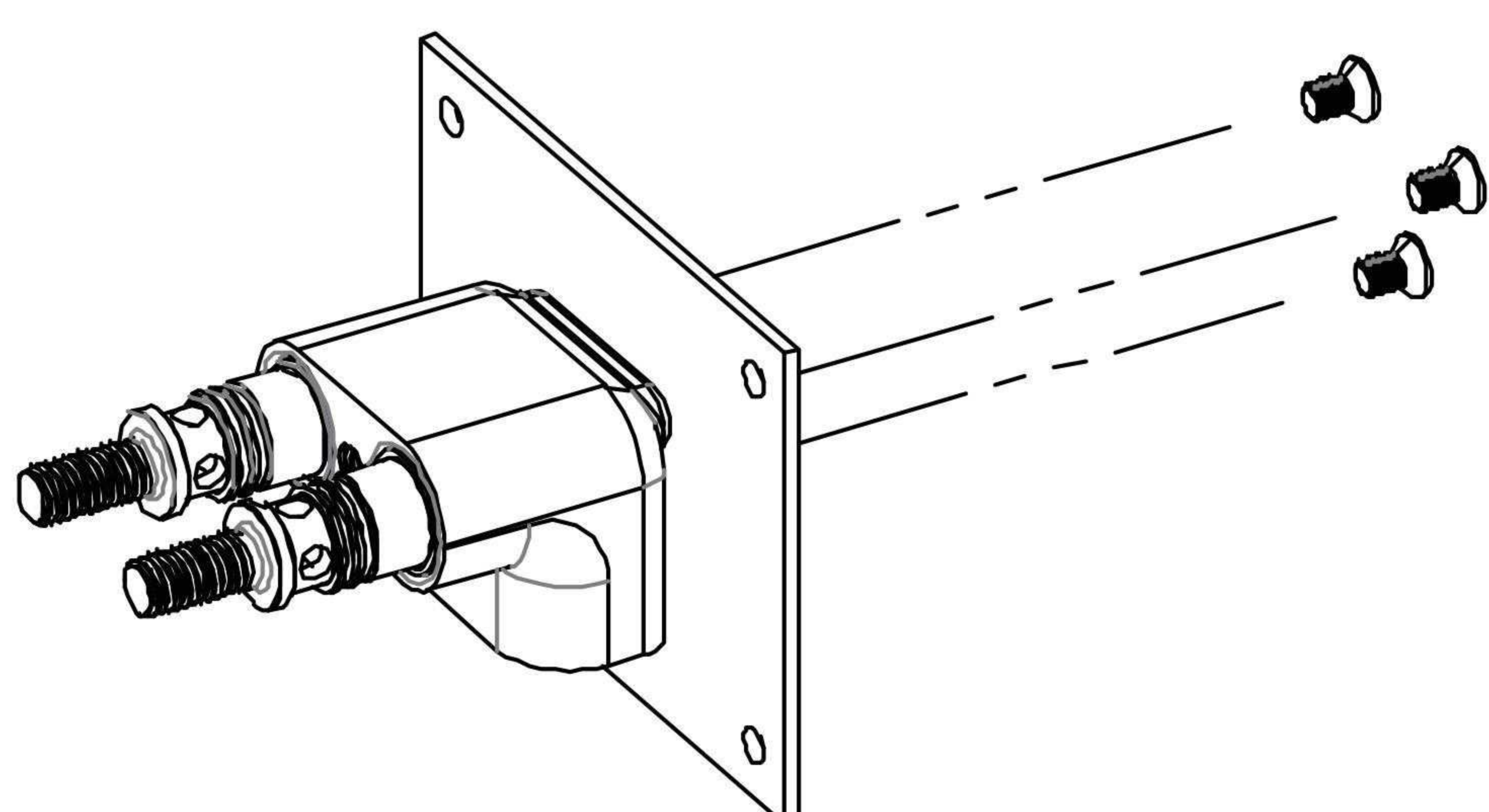
**Step1.** Take out rainfall head shower.



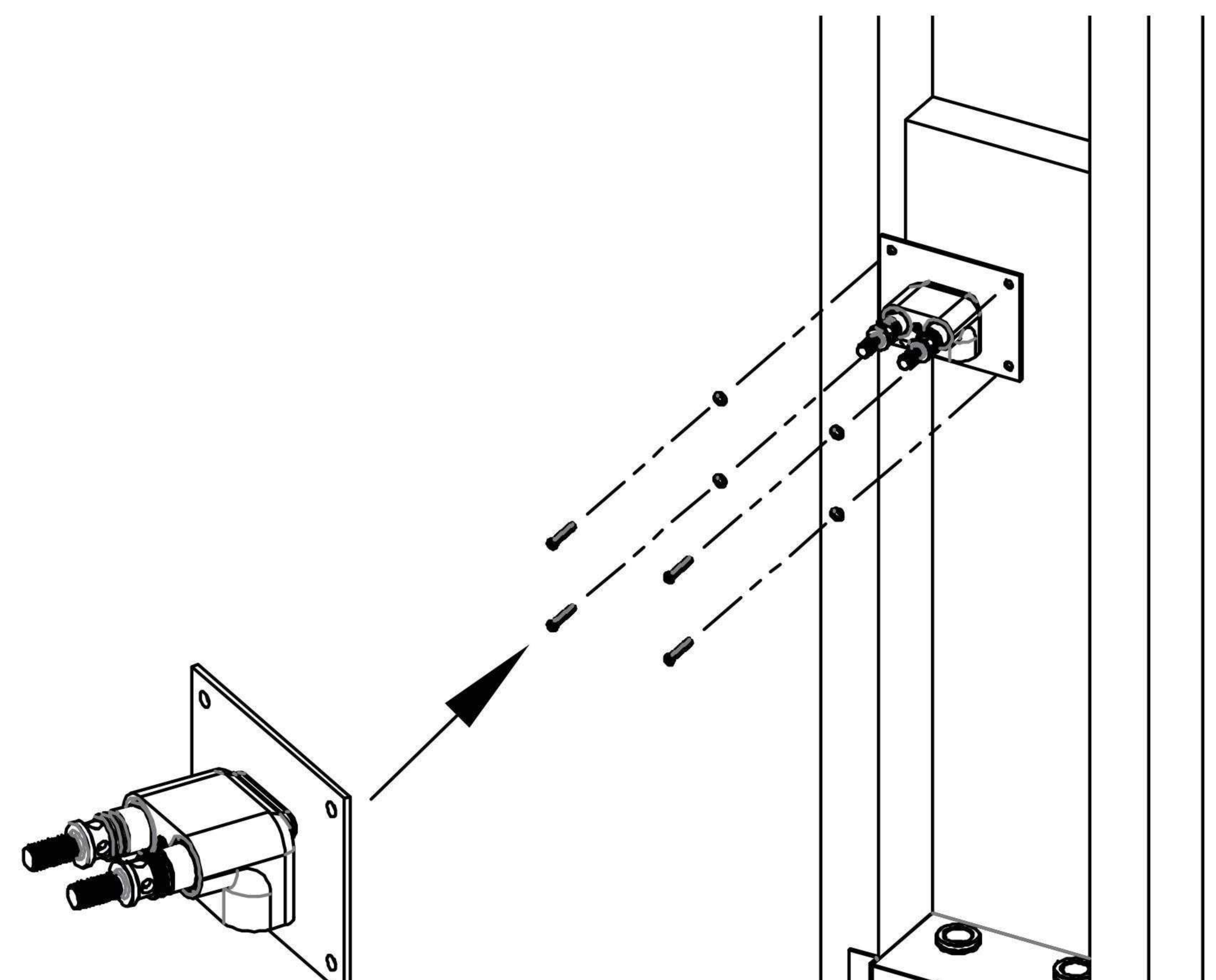
**Step2.** Unscrew the screws and thread connector.



**Step3.** Remove the brass pipe fitting from the shower head and install it on the fixed plate.

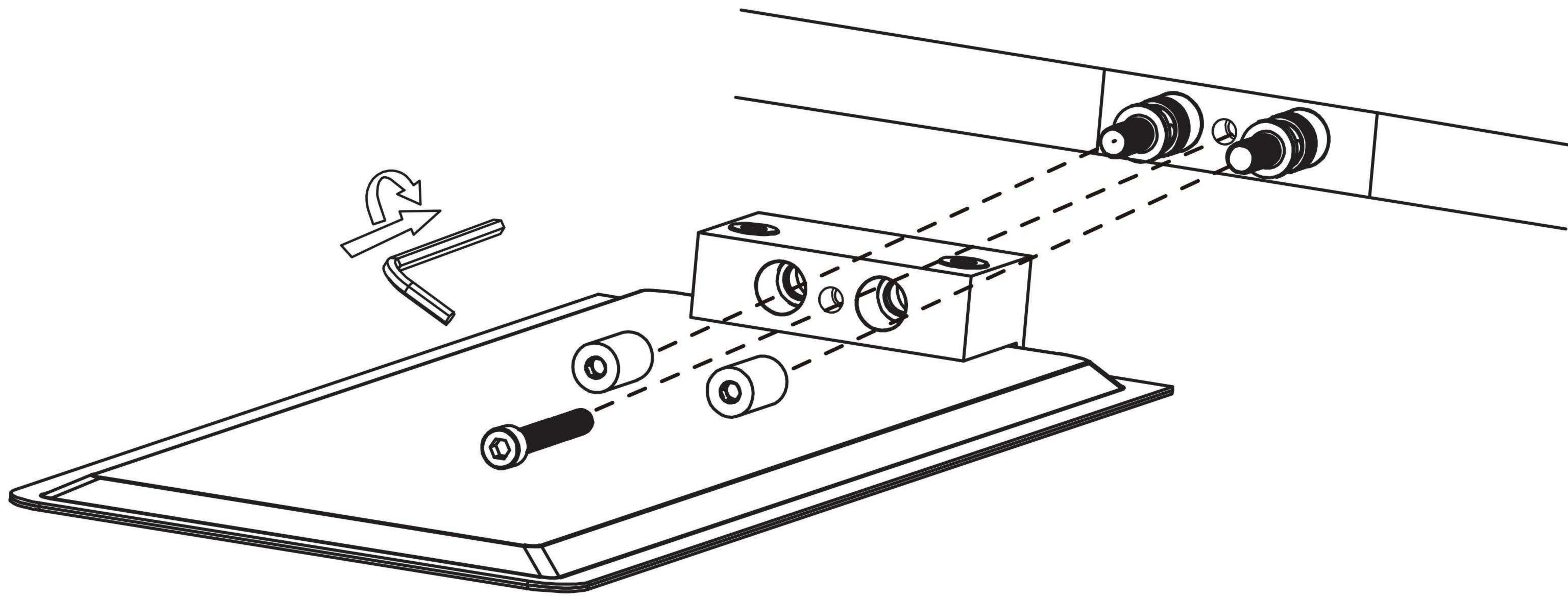


**Step4.** Install the concealed pipe fitting.

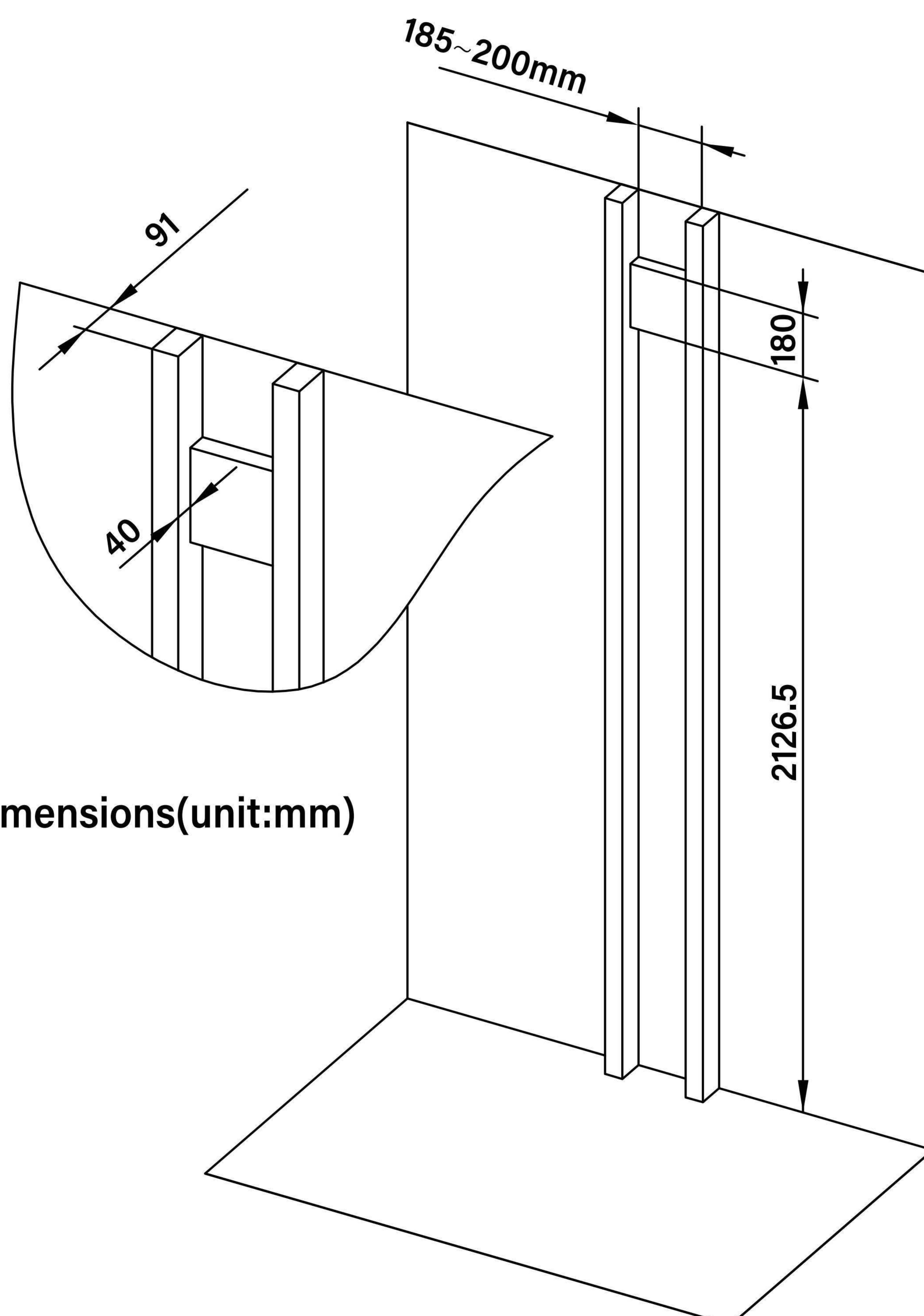


# SHOWER HEAD INSTALLATION

Step5. Connect the pipe nipple with thread connector.



# SHOWER PANEL INSTALLATION



Reference dimensions(unit:mm)

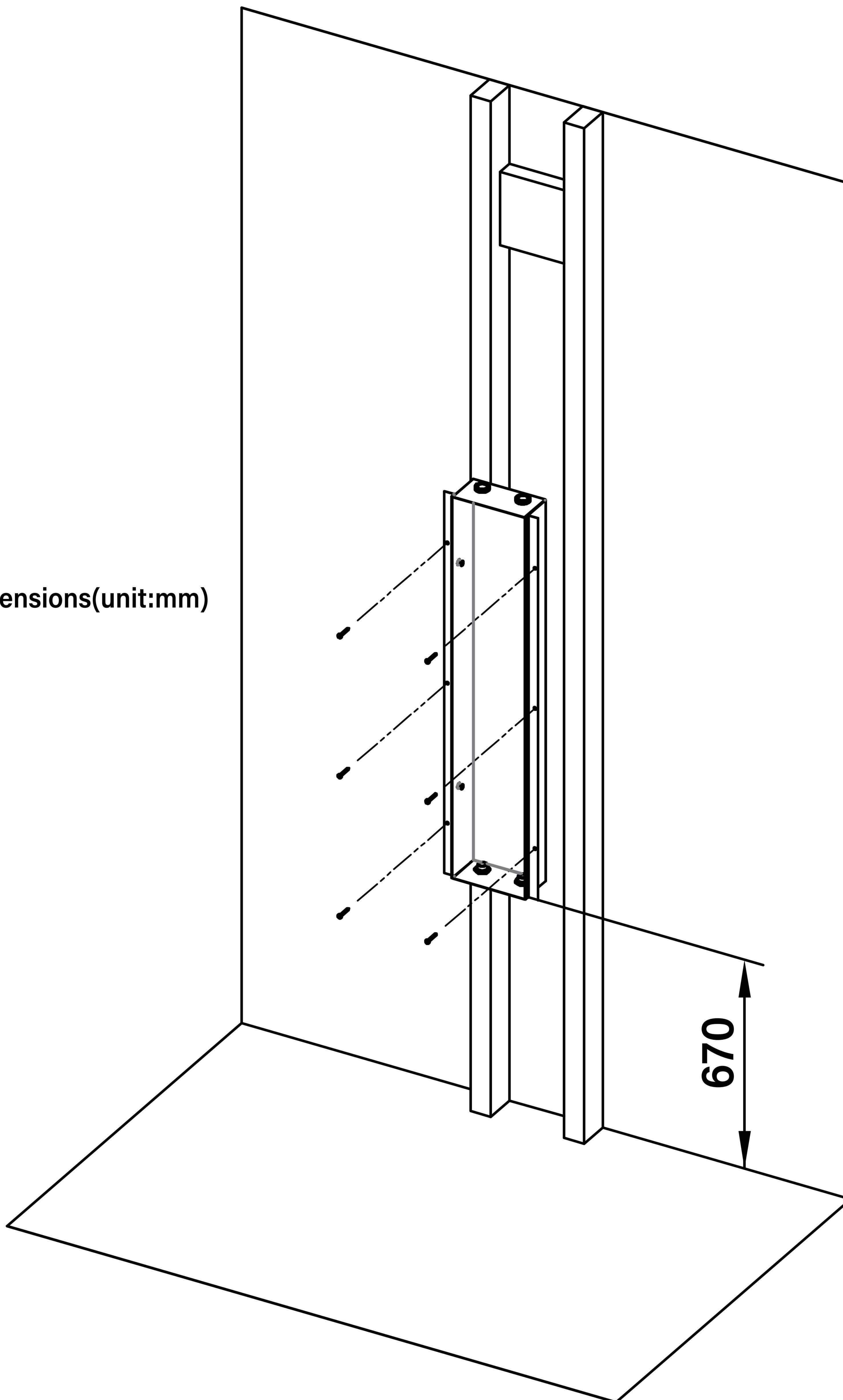


Note: Construct a wood frame against the wall.

# SHOWER PANEL INSTALLATION

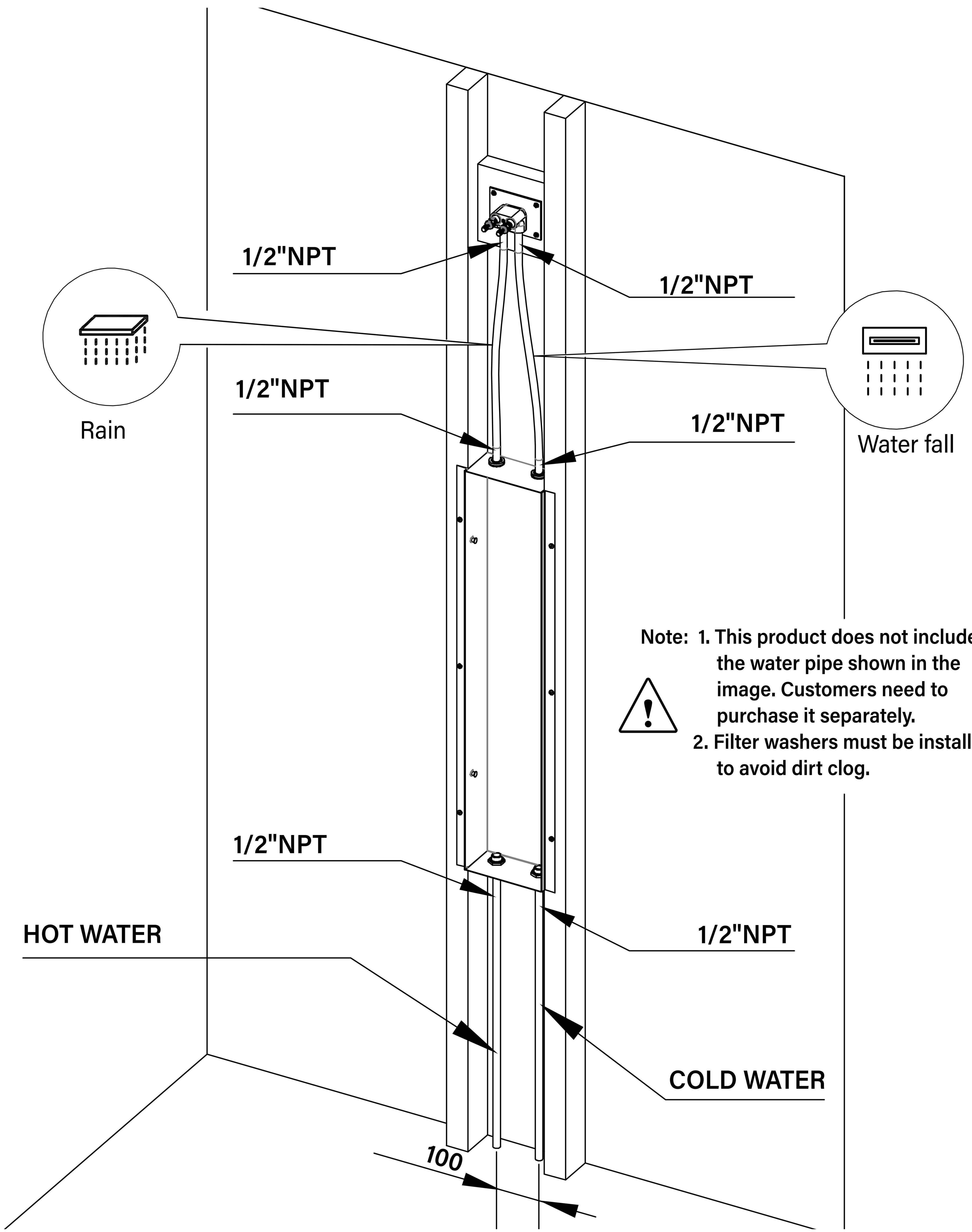
---

Reference dimensions(unit:mm)



Note: Put the concealed box into the wall studs, and fixed with screws.

# SHOWER PANEL INSTALLATION

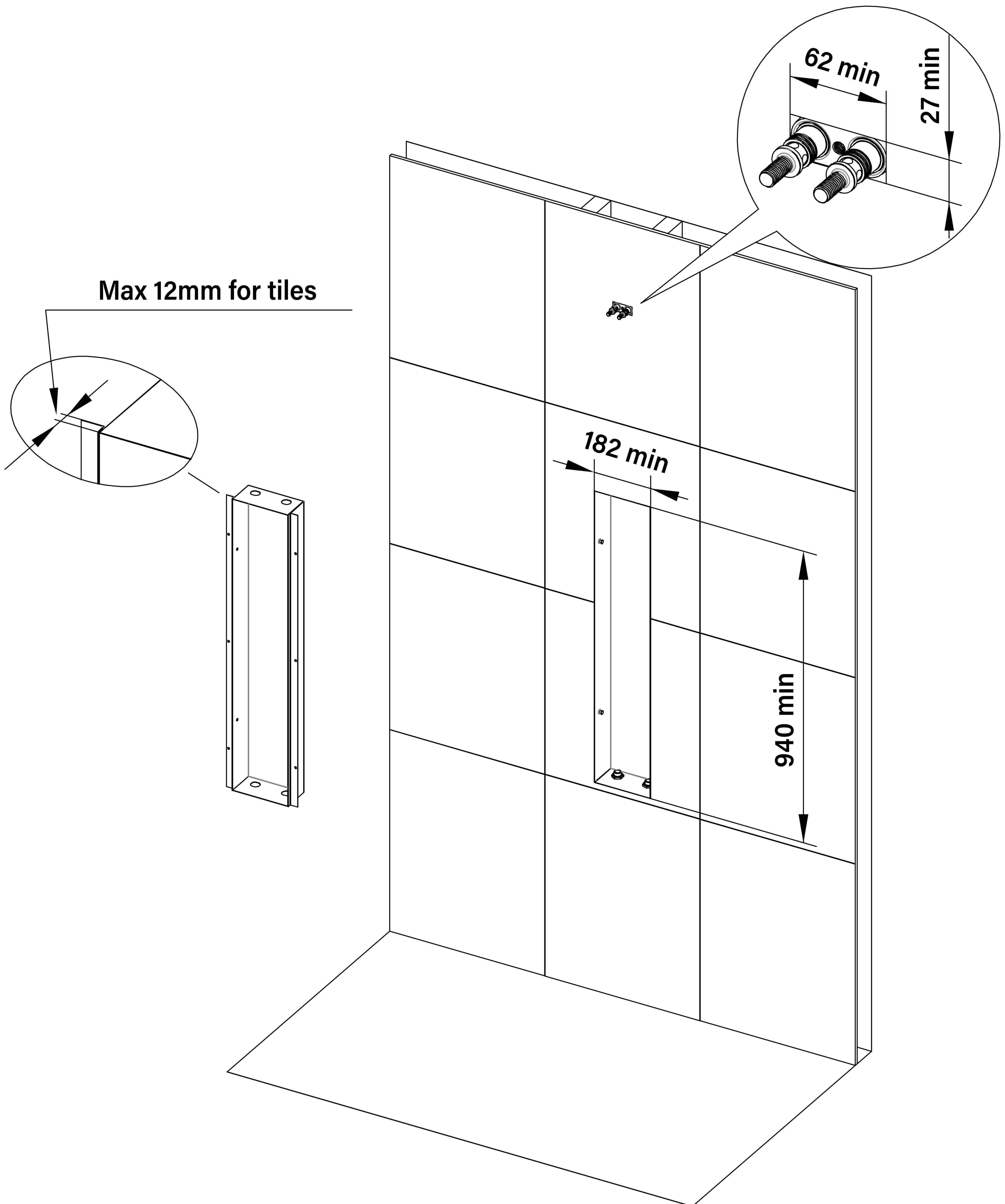


Note: 1. This product does not include the water pipe shown in the image. Customers need to purchase it separately.  
2. Filter washers must be installed to avoid dirt clog.



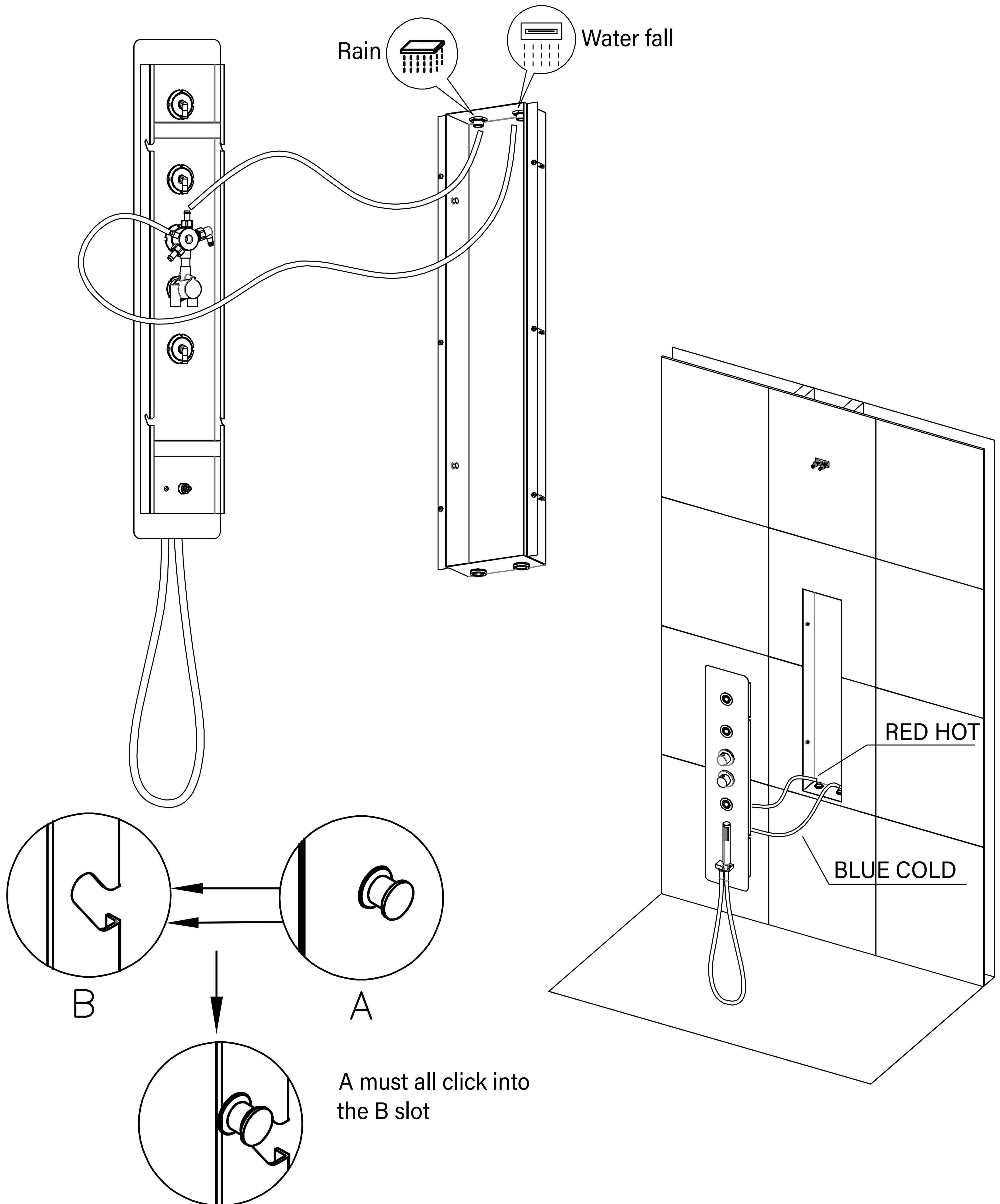
# SHOWER PANEL INSTALLATION

---



**Note:** Apply the tiles to the wall surface, There is a narrow groove where the concealed box fits the tiles together, the groove depth is 12mm.

# SHOWER PANEL INSTALLATION



- Note:** 1. Link the hot and cold inlet water pipes, then connect the top rain and waterfall pipelines.  
2. There are teardrop slots on the pre-assembled shower panel. Hang or slide the teardrop onto the mounted brackets on the concealed box.

