





ASSEMBLY INSTRUCTIONS

ASSEMBLY ON A FLAT, PROTECTED SURFACE.

PARTS LIST

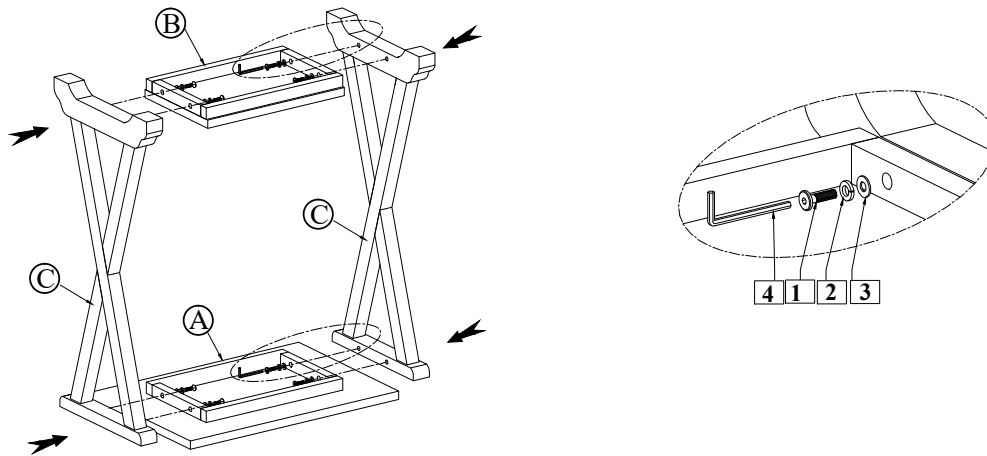
NO	DESCRIPTION	QTY
A	Table Top	1
B	Shelf	1
C	Leg Frame	2

HARDWARE LIST

NO	DESCRIPTION	QTY
1	 Bolt Ø1/4"*40mm	8
2	 Spring Washer Ø1/4"	8
3	 Flat Washer Ø1/4"*16mm*1.5mm	8
4	 Allen Wrench 4mm	1

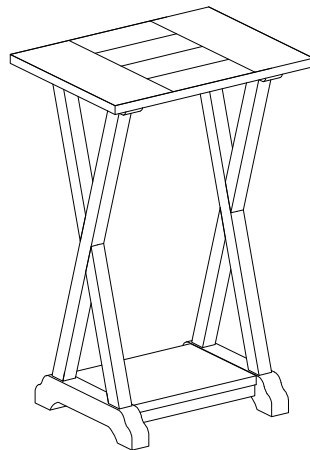
Step 1

- Position and align Leg Frame (C) onto the corresponding side of the Table Top (A) and Shelf (B).
- Ensure the Leg Frame (C) no splays outward.
- Secure using Flat Washers (3), Spring Washers (2) and Bolts (1). Then do tighten bolt by Allen Wrench (4).



Step 2

Assembly is complete.



IMPORTANT NOTE:

- PLACE ALL WOODEN PARTS ON A CLEAN AND SMOOTH SURFACE TO AVOID SCRATCHING.
- KINDLY FOLLOW THE ASSEMBLY INSTRUCTION STEP BY STEP.
- WE RECOMMEND THAT YOU PERIODICALLY TIGHTEN ALL BOTLS / SCREWS. PLEASE MAKE SURE ALL BOLTS / SCREWS ARE PLACED IN THEIR PROPER POSITION AND ARE TIGHTENED SECURELY TO ENSURE YOUR SAFETY.
- WEIGHT RESTRICTION: 40 LBS.
- DO NOT STAND OR CLIMB ON THE TABLE.
- NOT FOR COMMERCIAL USE.

*In case you need any extra parts, please feel free to contact us directly instead of returning your order, we will be more than happy to help you within a business day.