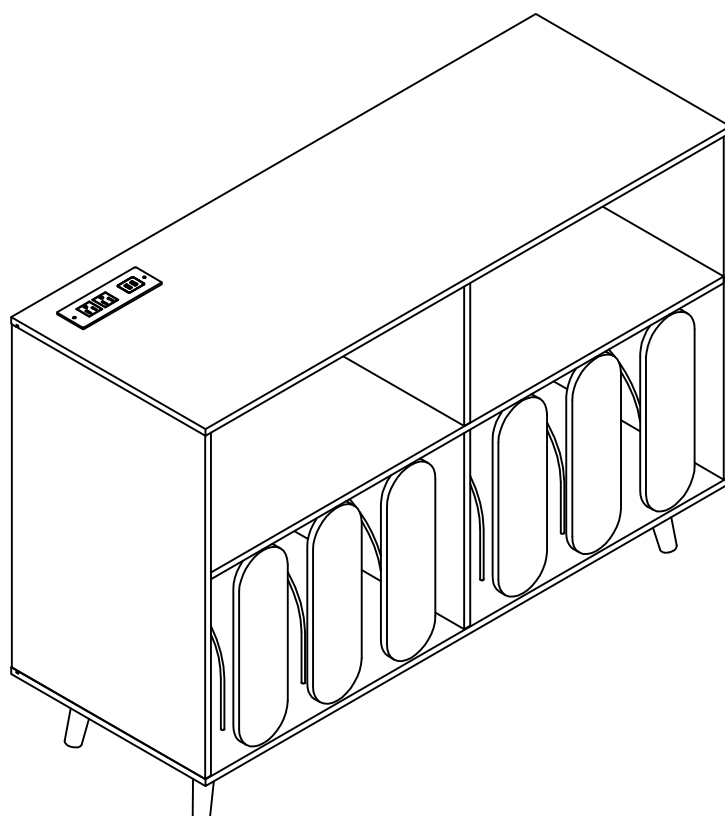


Installation Instruction



Assembling

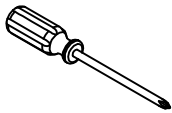
Estimated time for assembly



45 : 00

What you need

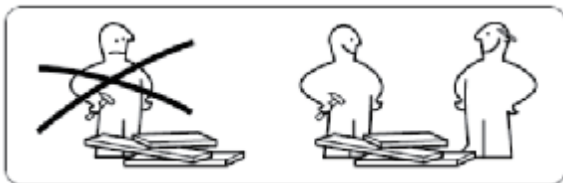
- Use the packaging carton as a working surface to prevent product damage during assembly
- Phillips head screwdriver



Weight Limitation



100 | **35**
lbs table top lbs per

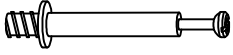


What' included

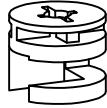
Code	Description	Qty
A	Cam Bolt M6X35MM	12
B	Cam Lock 15X10MM	12
C	Wooden Dowel M6X30MM	20
D	Screw M4X40MM	10
E	Screw M3.5X12MM	26
F	The bolt	12
G	Metal connector	2
H	Hole position sticker	12
I	Adjustable foot pads	1
J	Mats	4
K	Anchor	2
L	Extension cord	1
M	The metal plate	4
N	The metal plate	1
O	Plastic Angle code	18
P	Screw M3.0X12MM	20

The Hardwares

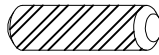
(A)



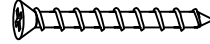
(B)



(C)



(D)



(E)



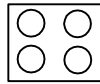
(F)



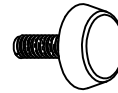
(G)



(H)



(I)



(J)



(K)



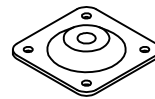
(L)



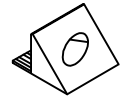
(M)



(N)



(O)



(P)



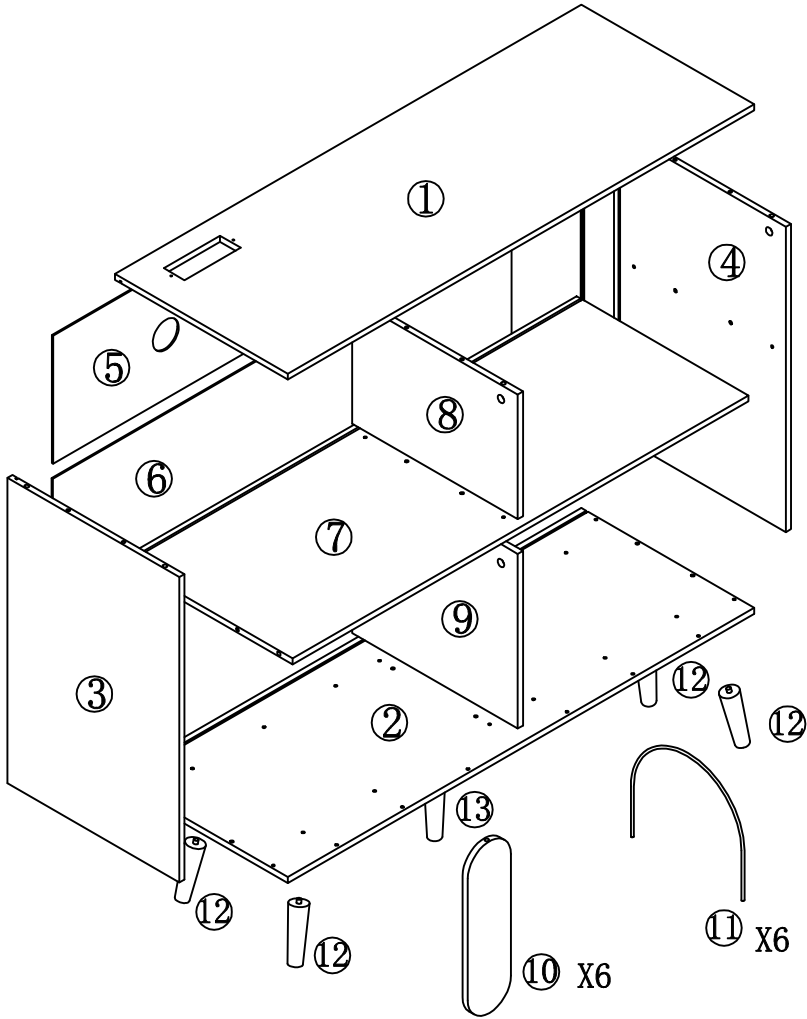
IMPORTANT:

1. Do not tighten bolts / screws completely until all bolts / screws are lined up and inserted into holes.
2. Do not over tighten screws and bolts to avoid stripping
3. Please use hand tools to assemble this product. Do not use power tools.

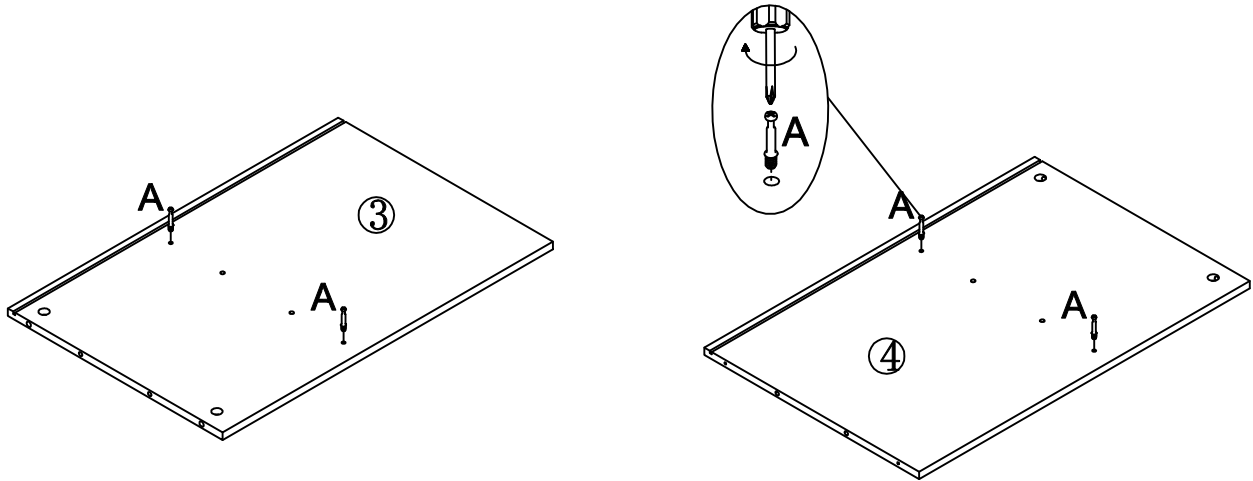
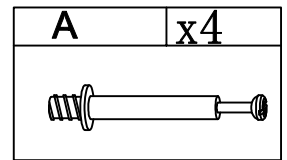
Included Accessories

Code	Description	Qty
1	Cabinet Top	1
2	Bottom Panel	1
3	Left lateral plate	1
4	Right lateral plate	1
5	Back plate	1
6	Back plate	1
7	Laminate	1
8	Neutral plate	1
9	Lower Neutral plate	1
10	Swivel plate	6
11	Circular steel bar	6
12	Solid wood feet	4
13	Medium solid wood feet	1

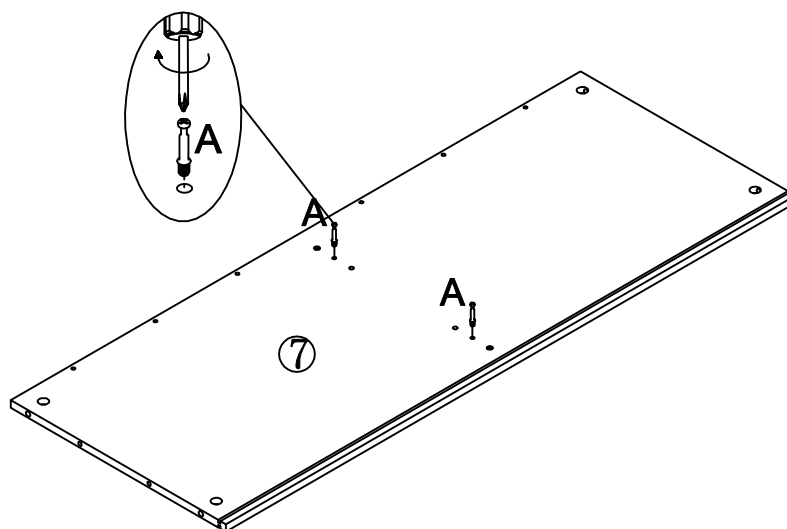
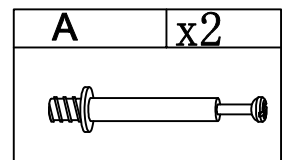
The Accessoriess




Step 1

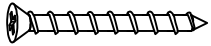


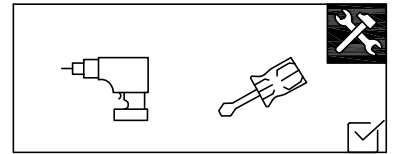
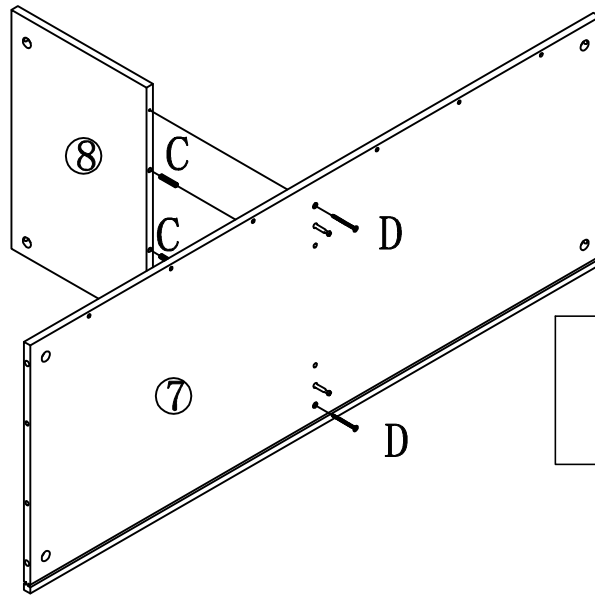
Step 2




Step 3


C	x 2
	

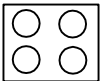
D	x 2
	

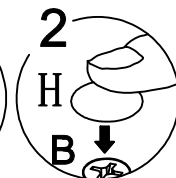
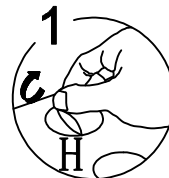
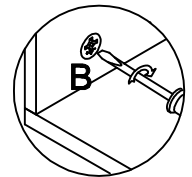
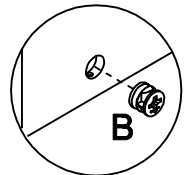
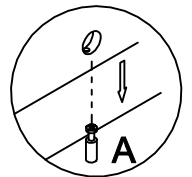
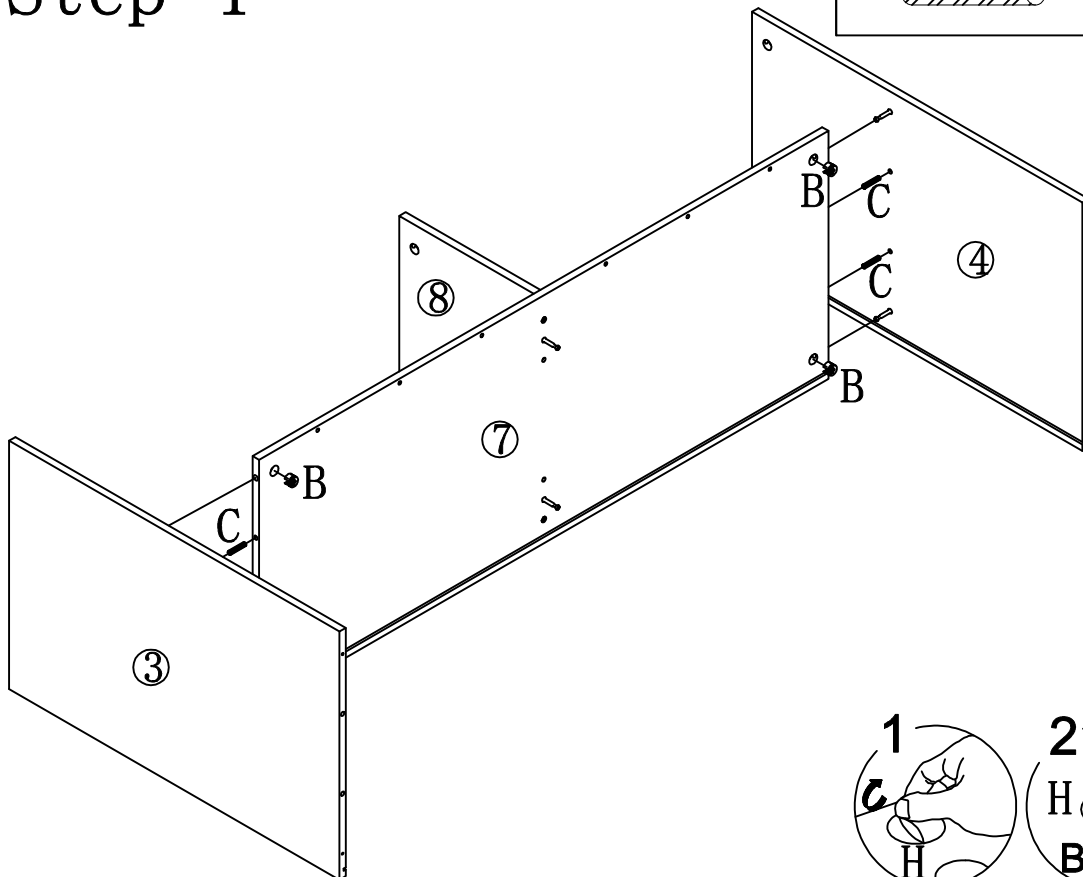


Step 4

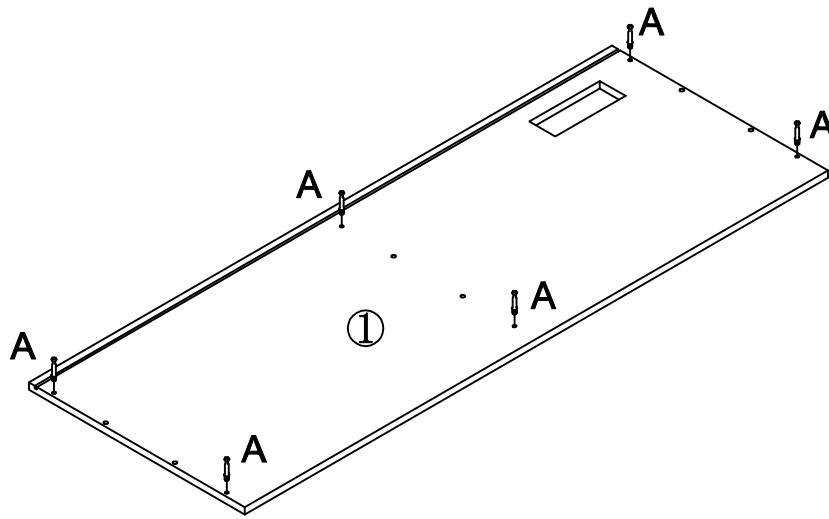
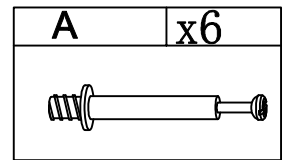
C	x 4
	

B	x 4
	

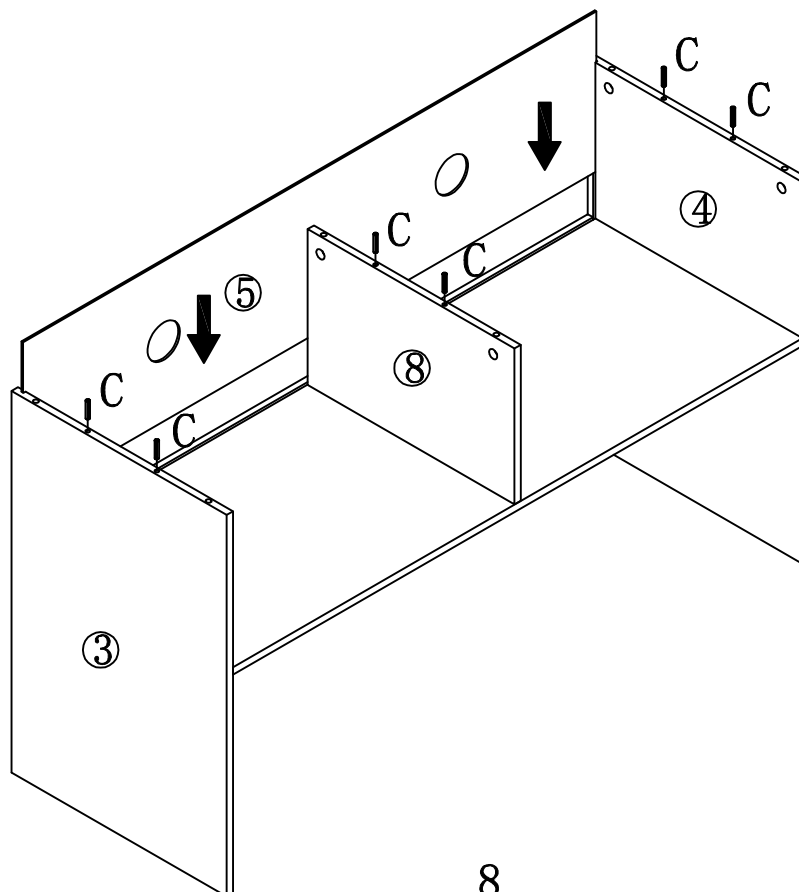
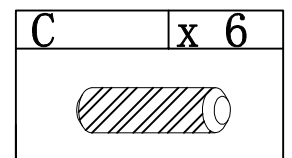
H	x 4
	



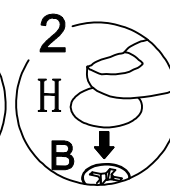
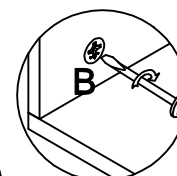
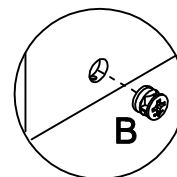
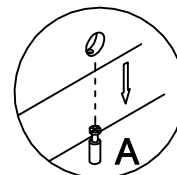
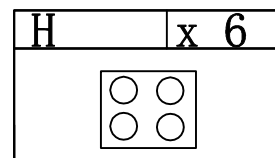
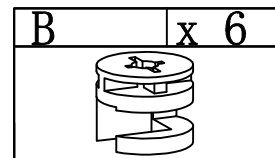
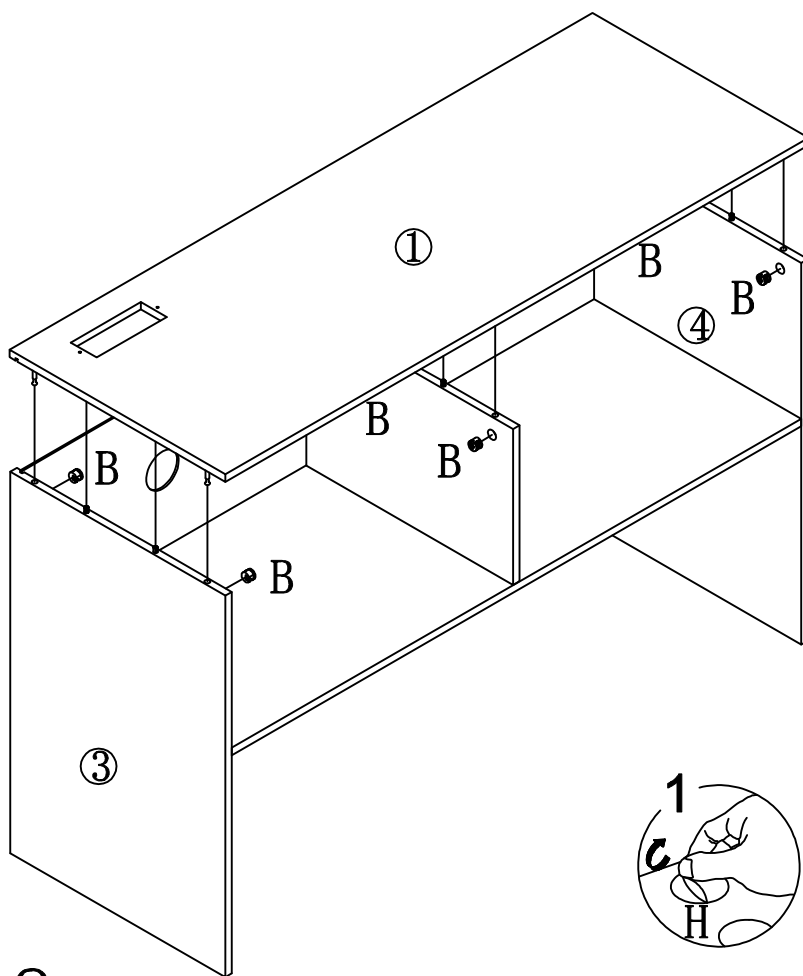
Step 5



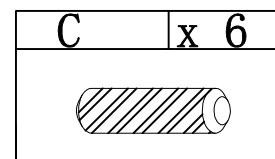
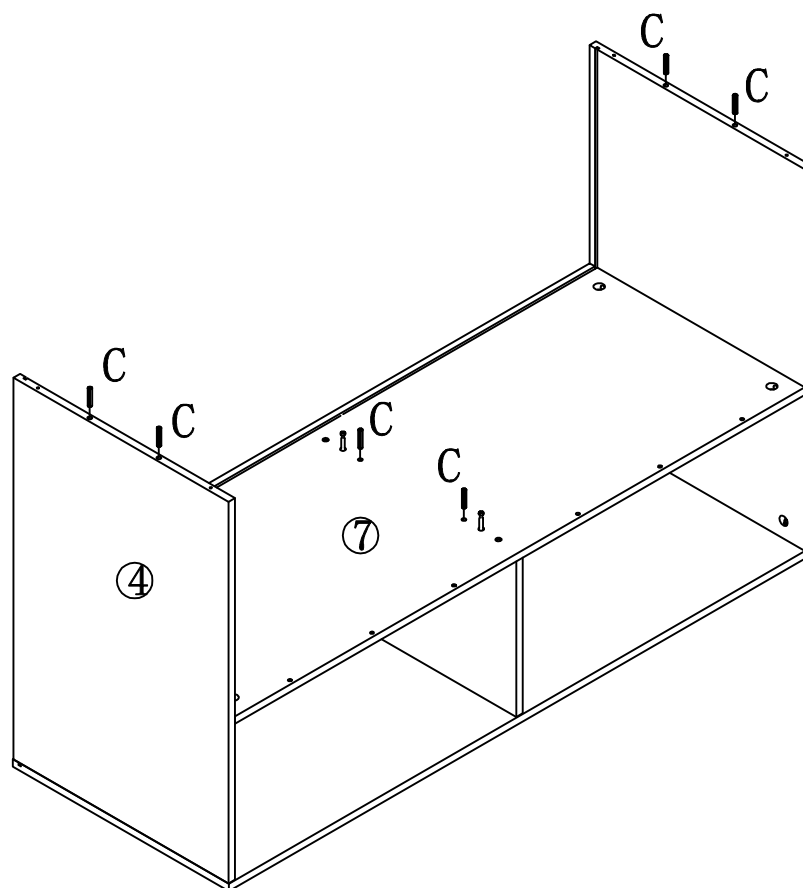
Step 6



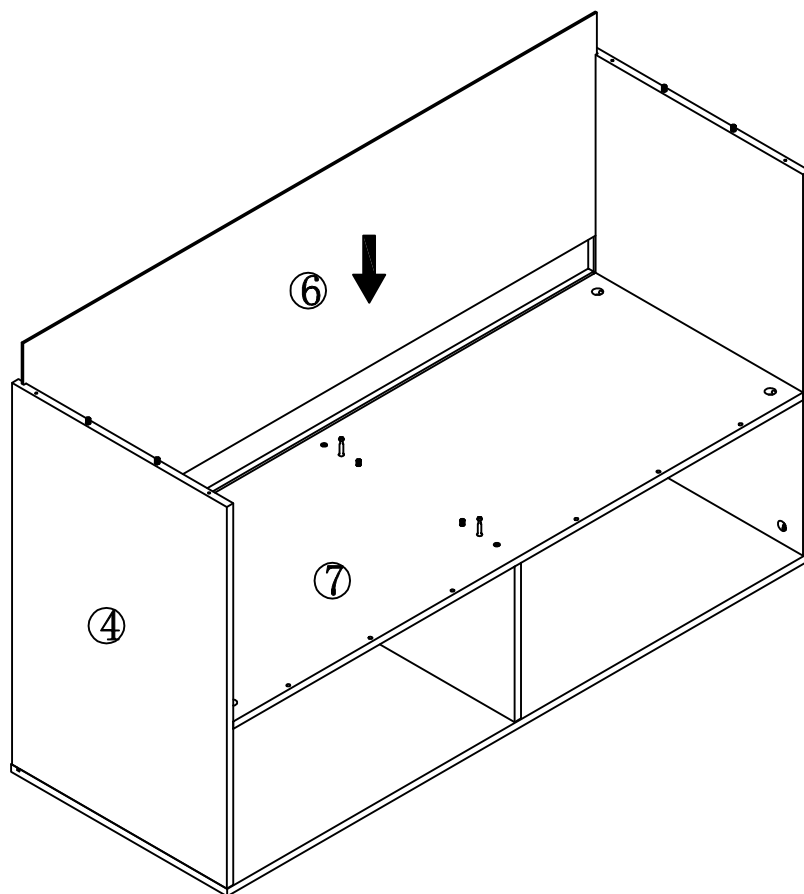
Step 7



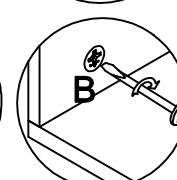
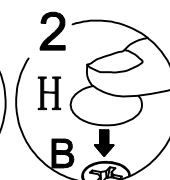
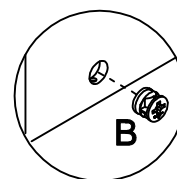
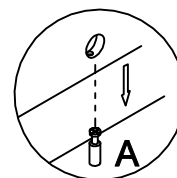
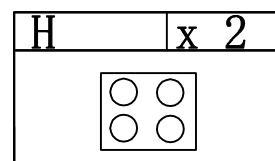
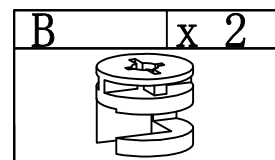
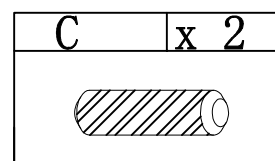
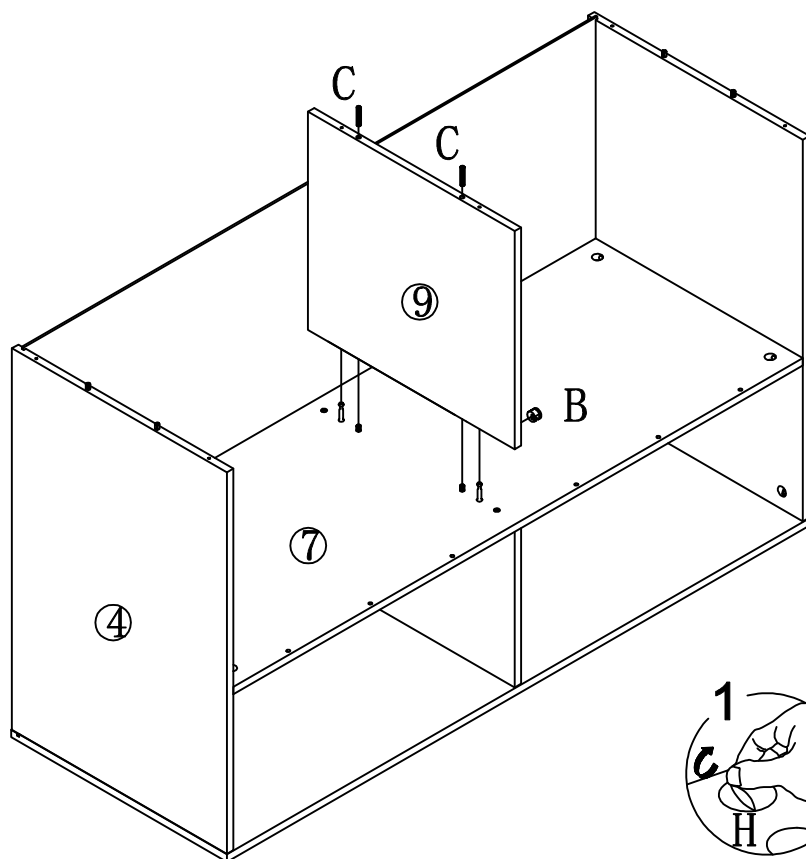
Step 8



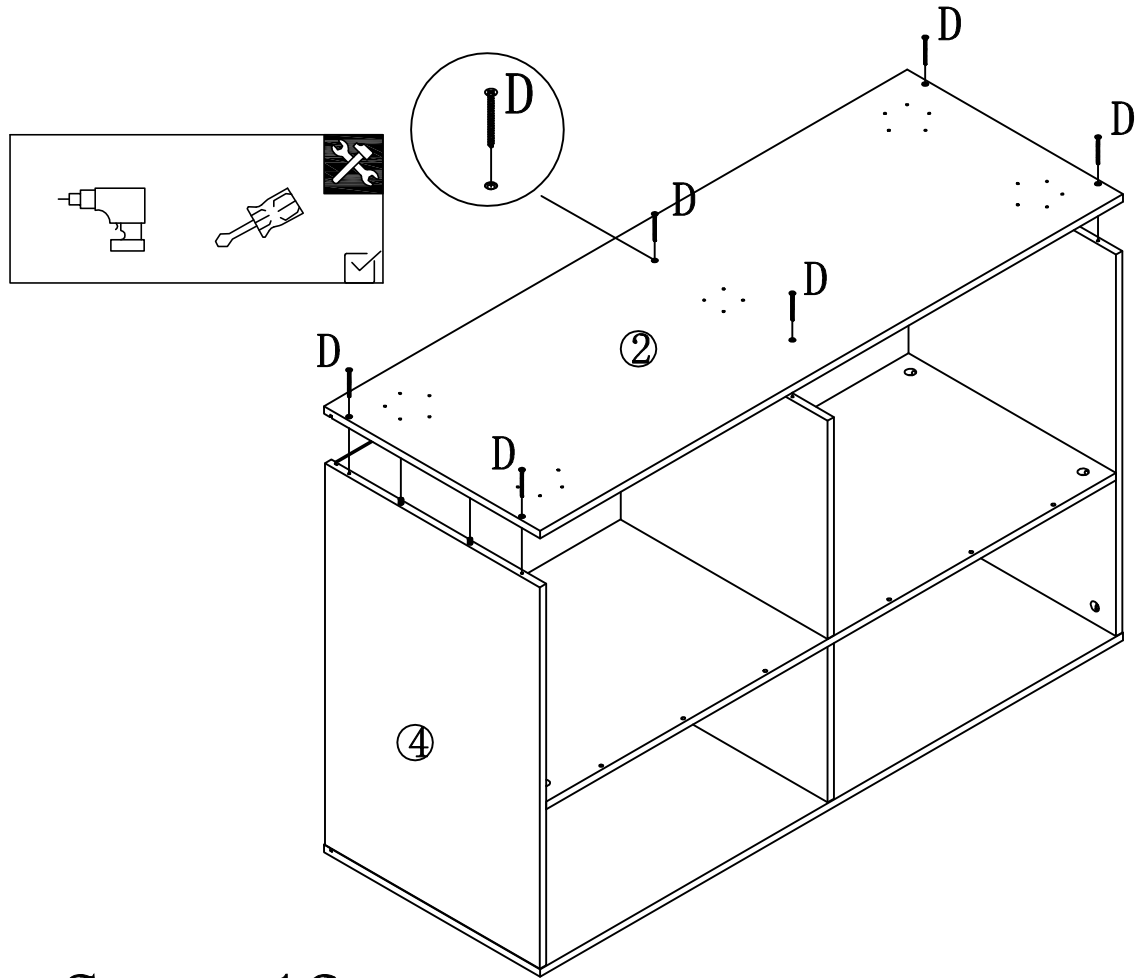
Step 9

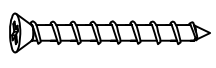


Step 10

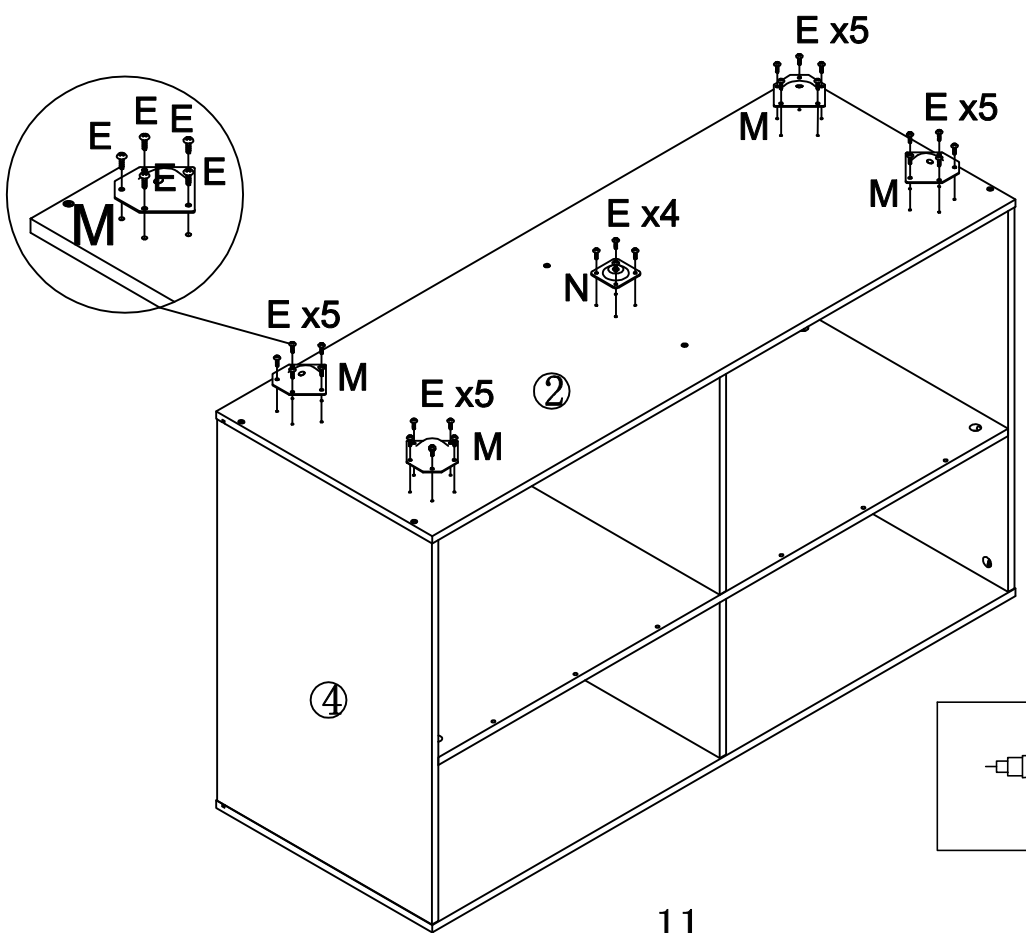


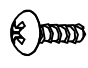
Step 11

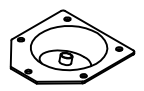


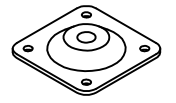
D	x 6
	

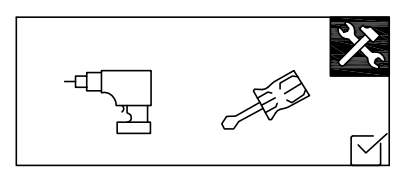
Step 12



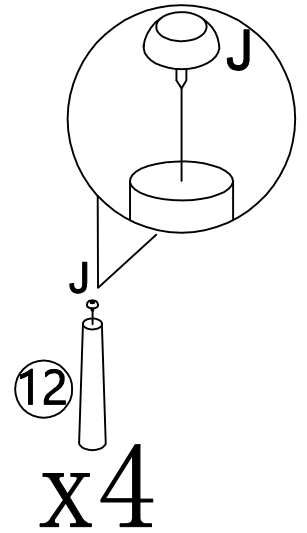
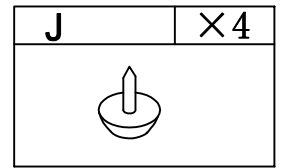
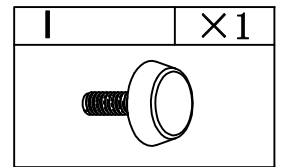
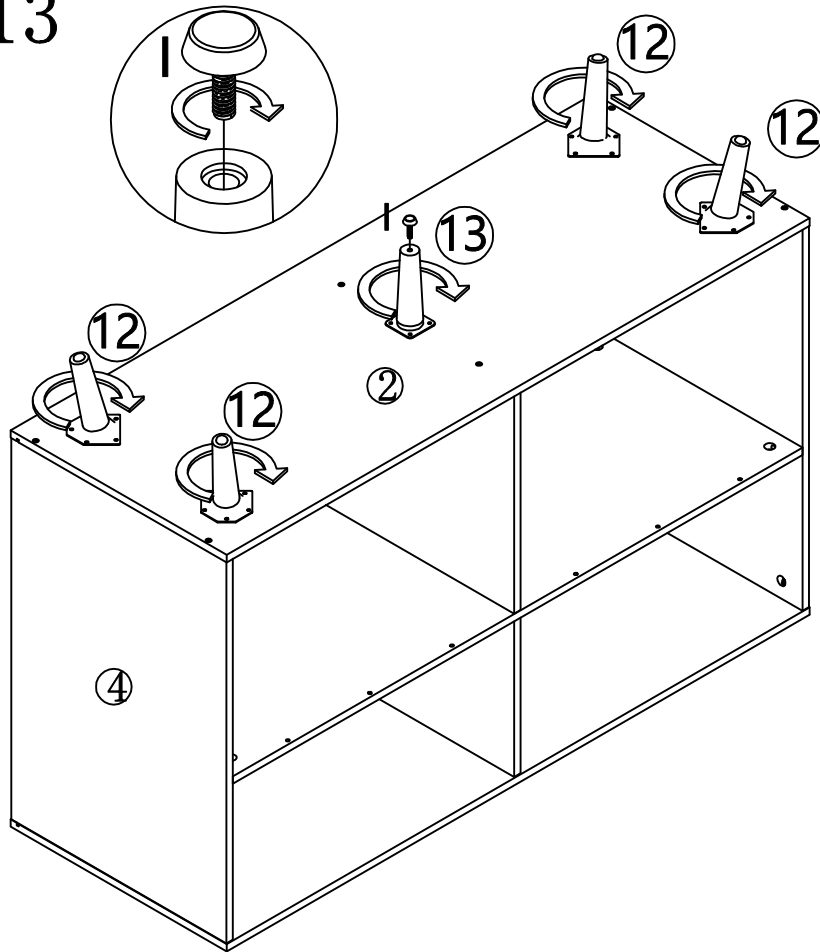
E	x 24
	

M	x 4
	

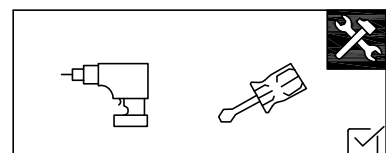
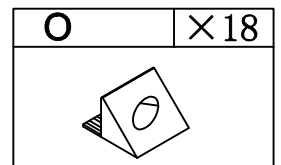
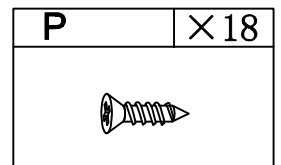
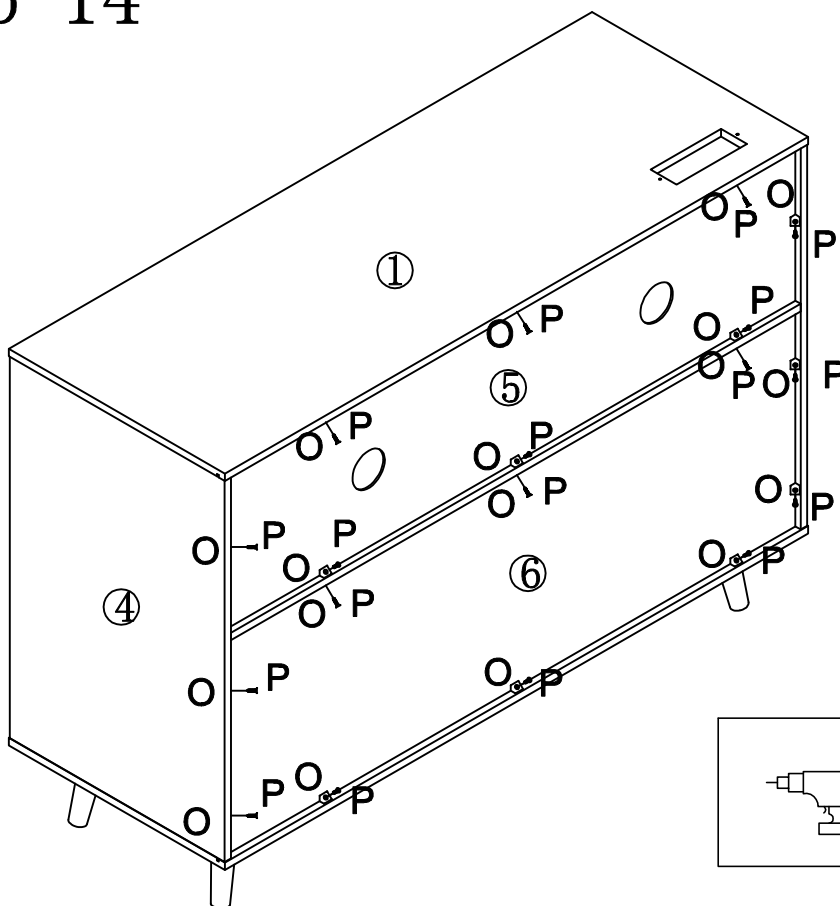
N	x 1
	



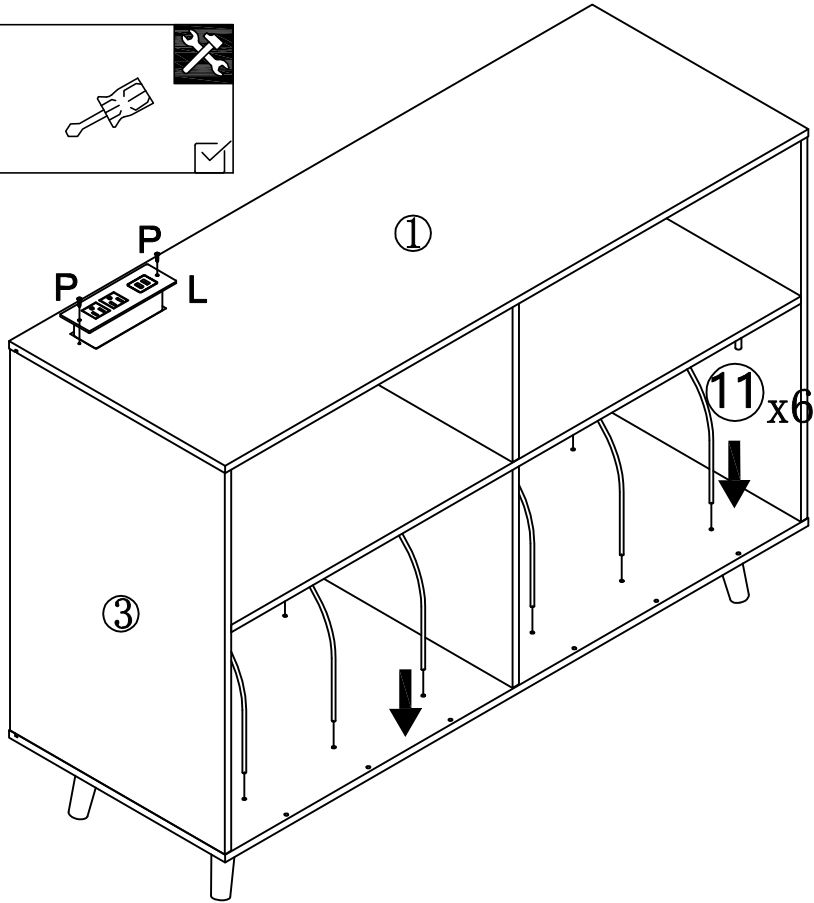
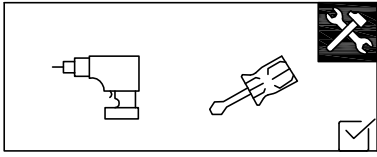
Step 13



Step 14



Step 15

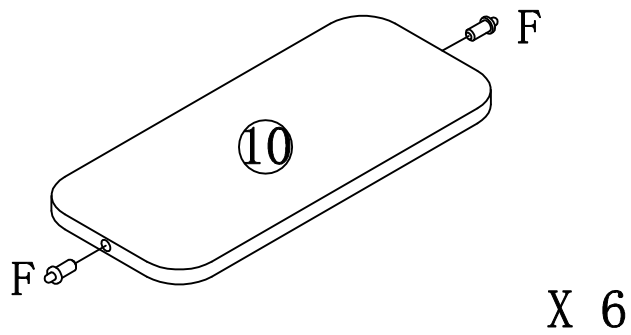


P	x2

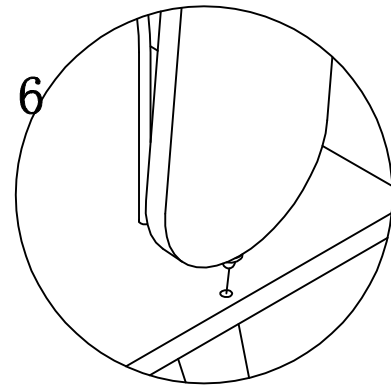
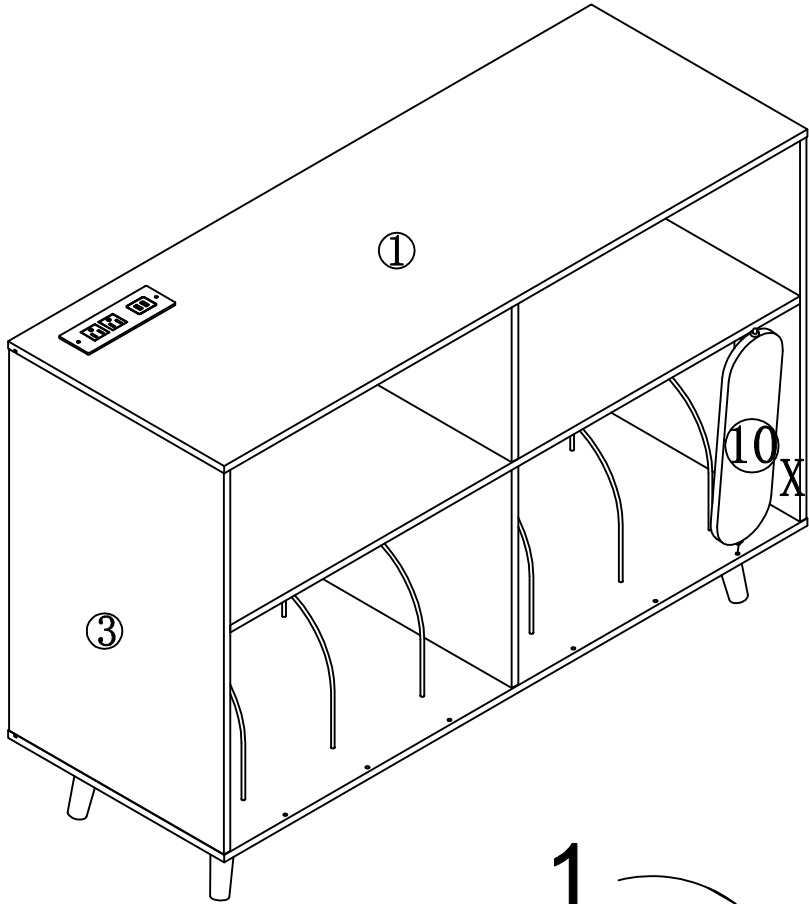
L	x1

Step 16

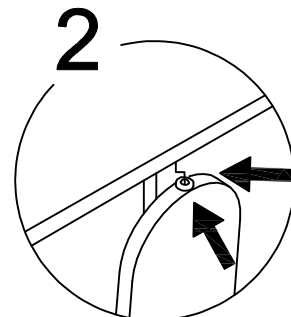
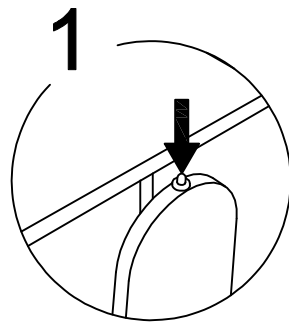
F	x 12



Step 17

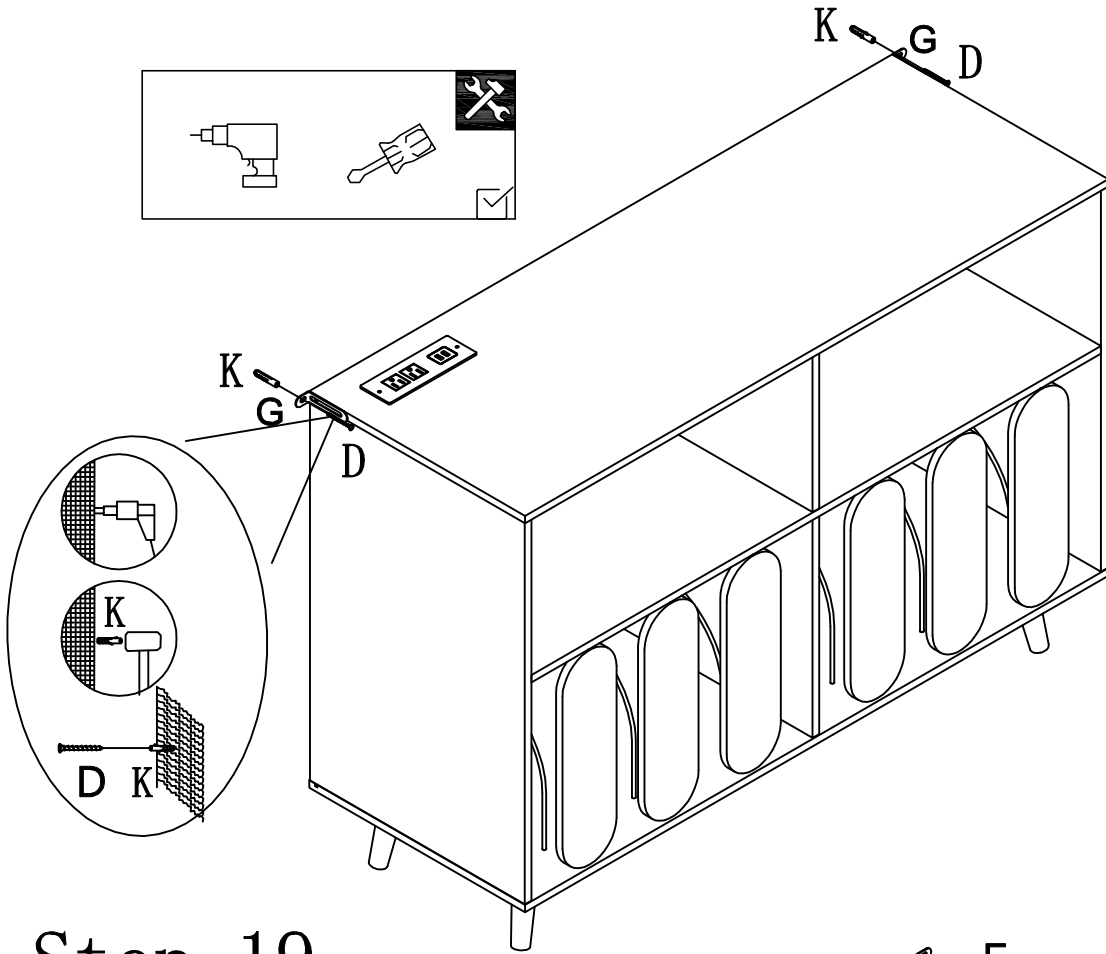


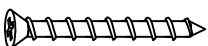
First Step





The second Step

Step 18

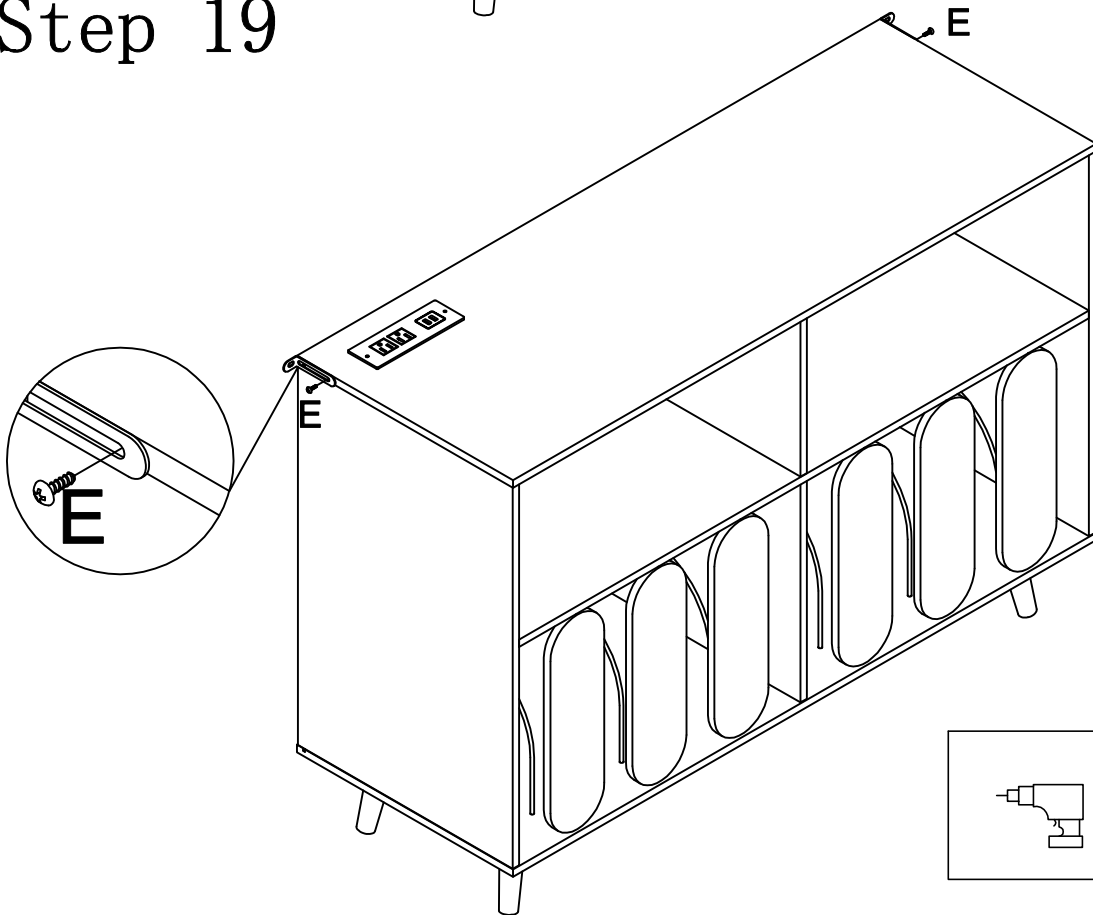


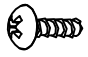
D	x 2
	

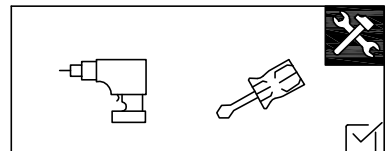
K	x 2
	

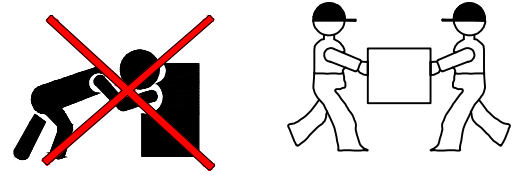
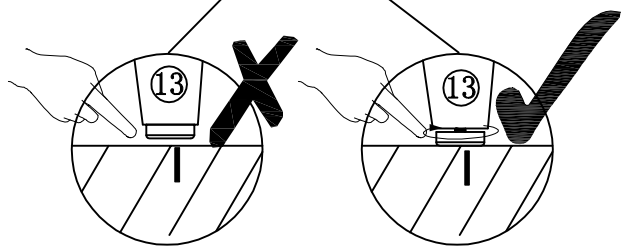
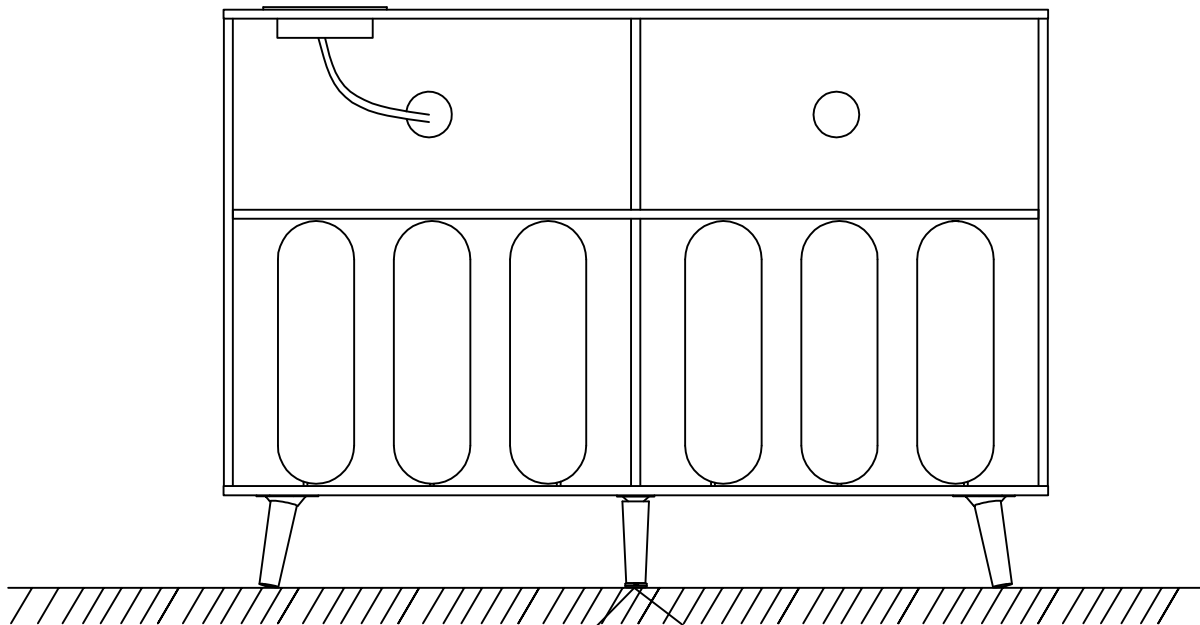
G	x 2
	

Step 19



E	x 2
	





Two people work together to move the table.
Make sure you lift it off the ground.
Don't push and pull.