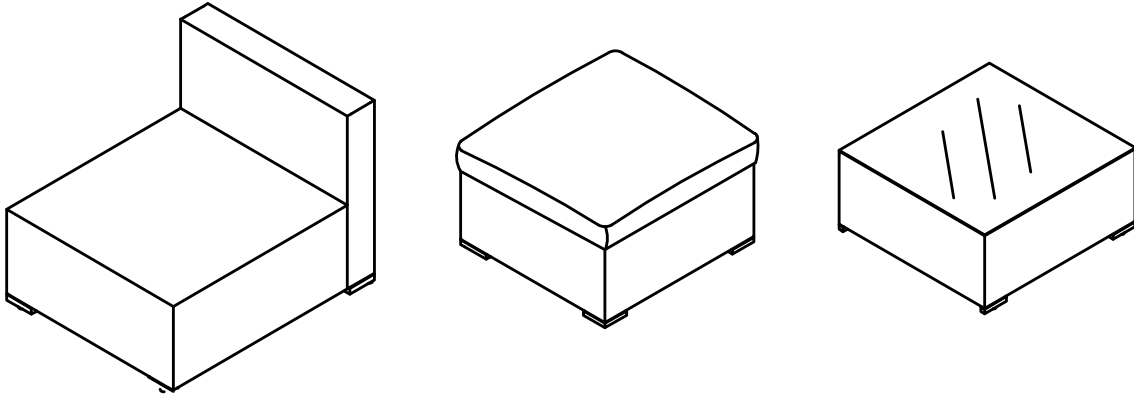


## Armless Chair & Ottoman & Coffee Table



### **Thank You for Choosing us!**

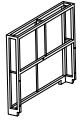
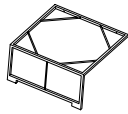
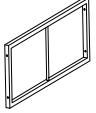

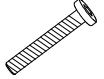


Our goal is to provide high quality outdoor furniture with outstanding customer service-all at an affordable price.

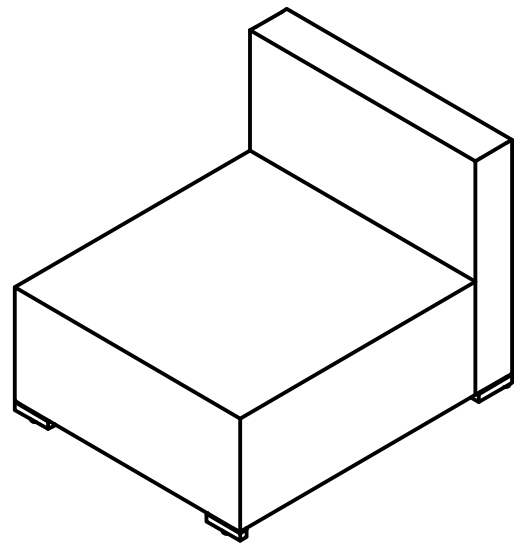
Please let us know how we are doing!

### **Problems?**

We will fix it immediately.

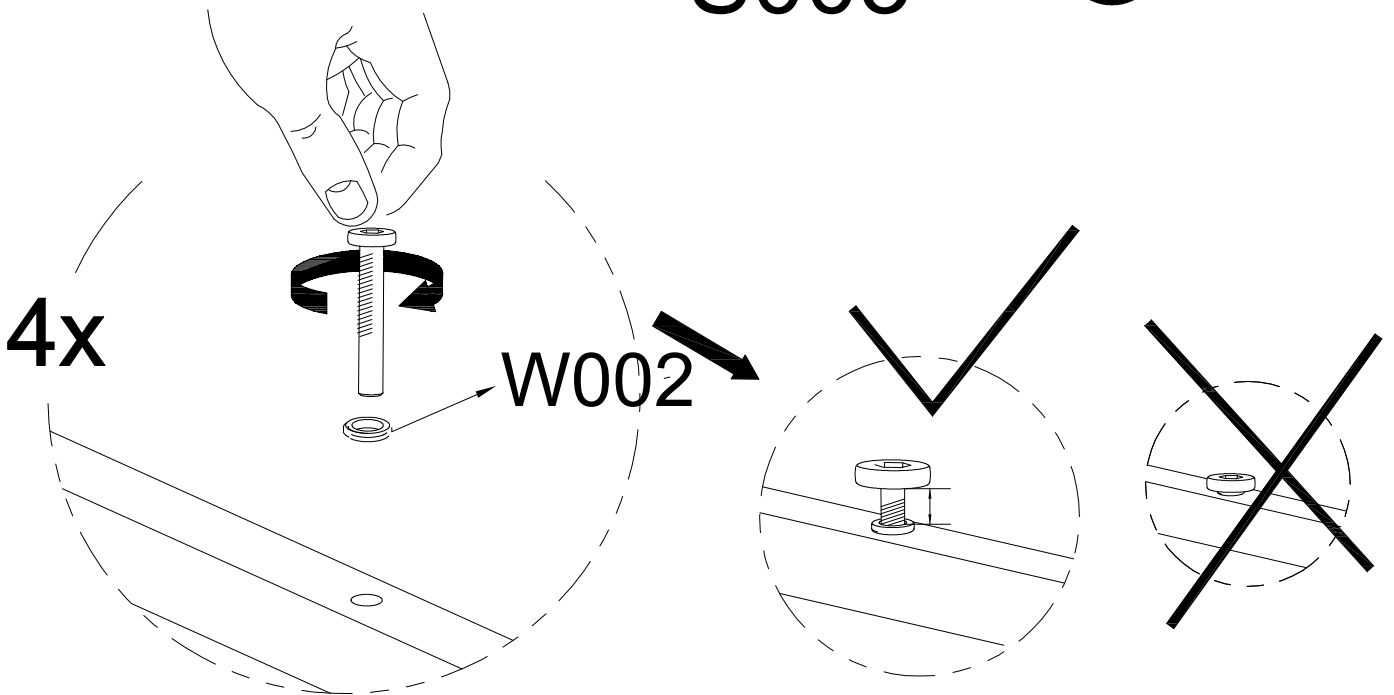
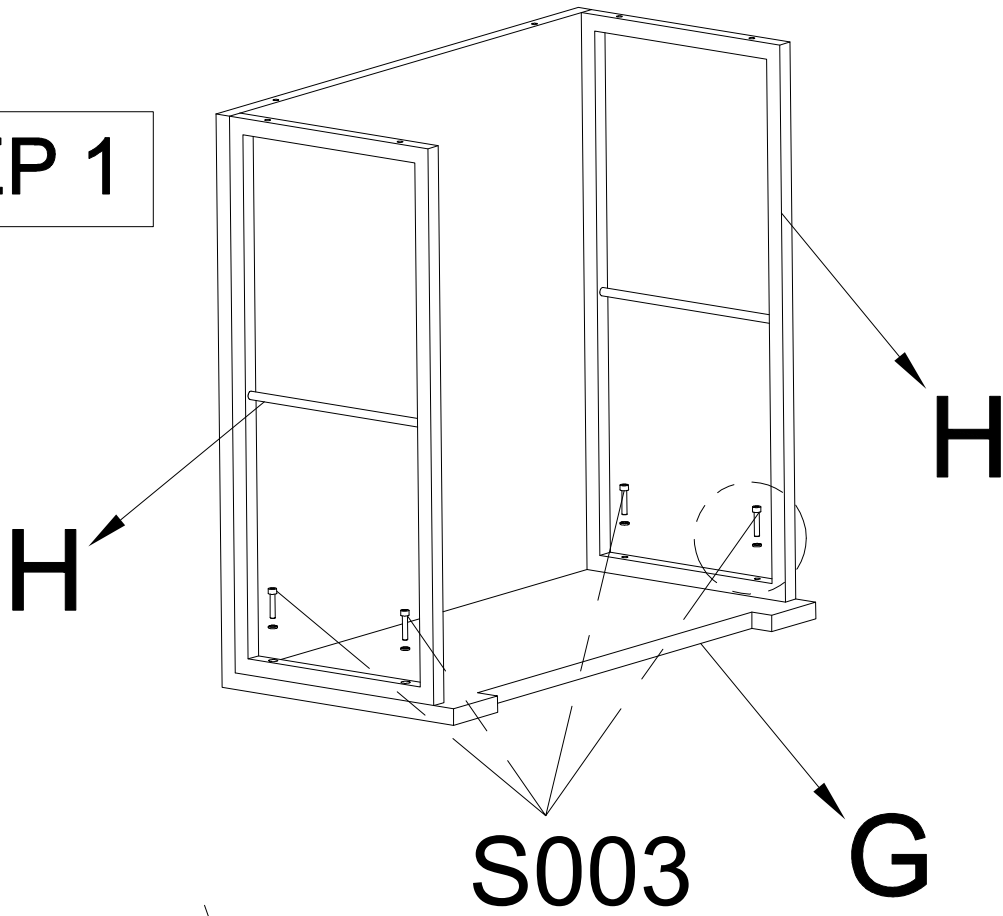
# Armless Chair

Item no.	Reference Image	Description	Qty
F		Seat Back	1
G		Seat Base	1
H		Side Panel	2
S003		M6x35 Hex Socket Head Screw	8
S004		M6x40 Hex Socket Head Screw	2
W002		Flat Washer	10
T001		S4 Allen Key	1



# Armless Chair

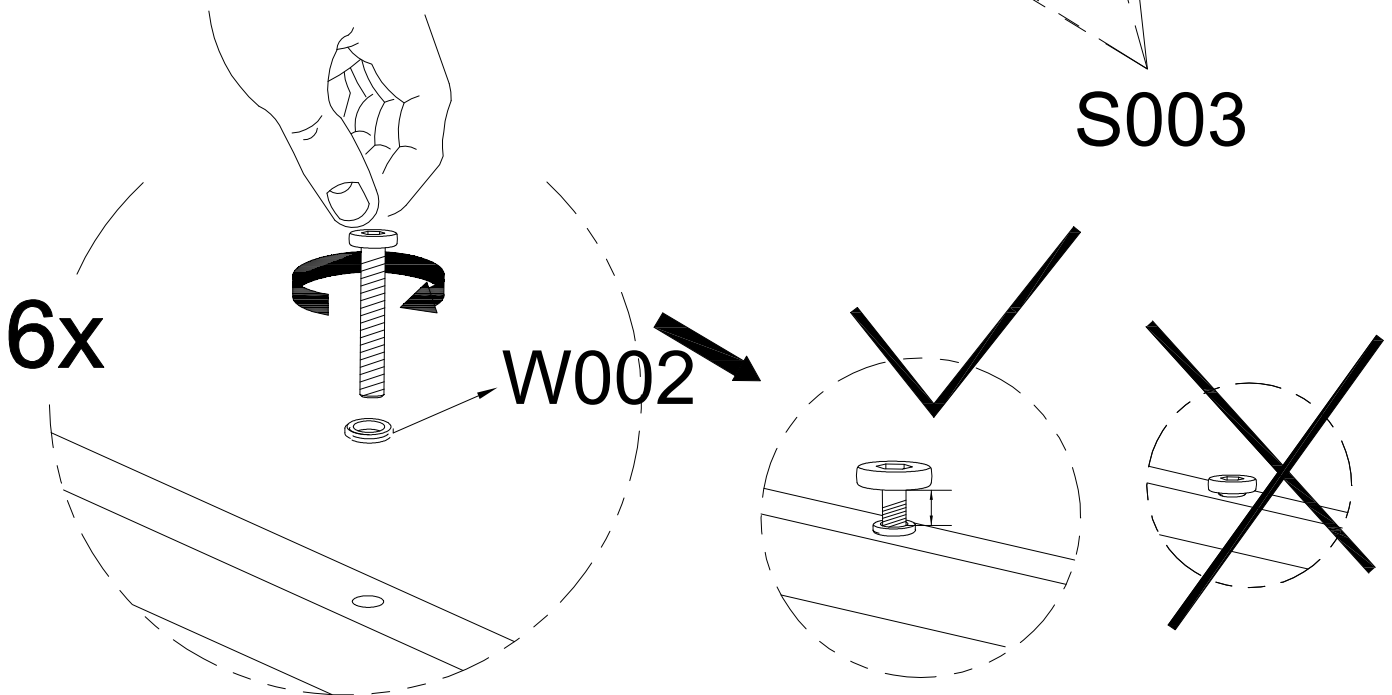
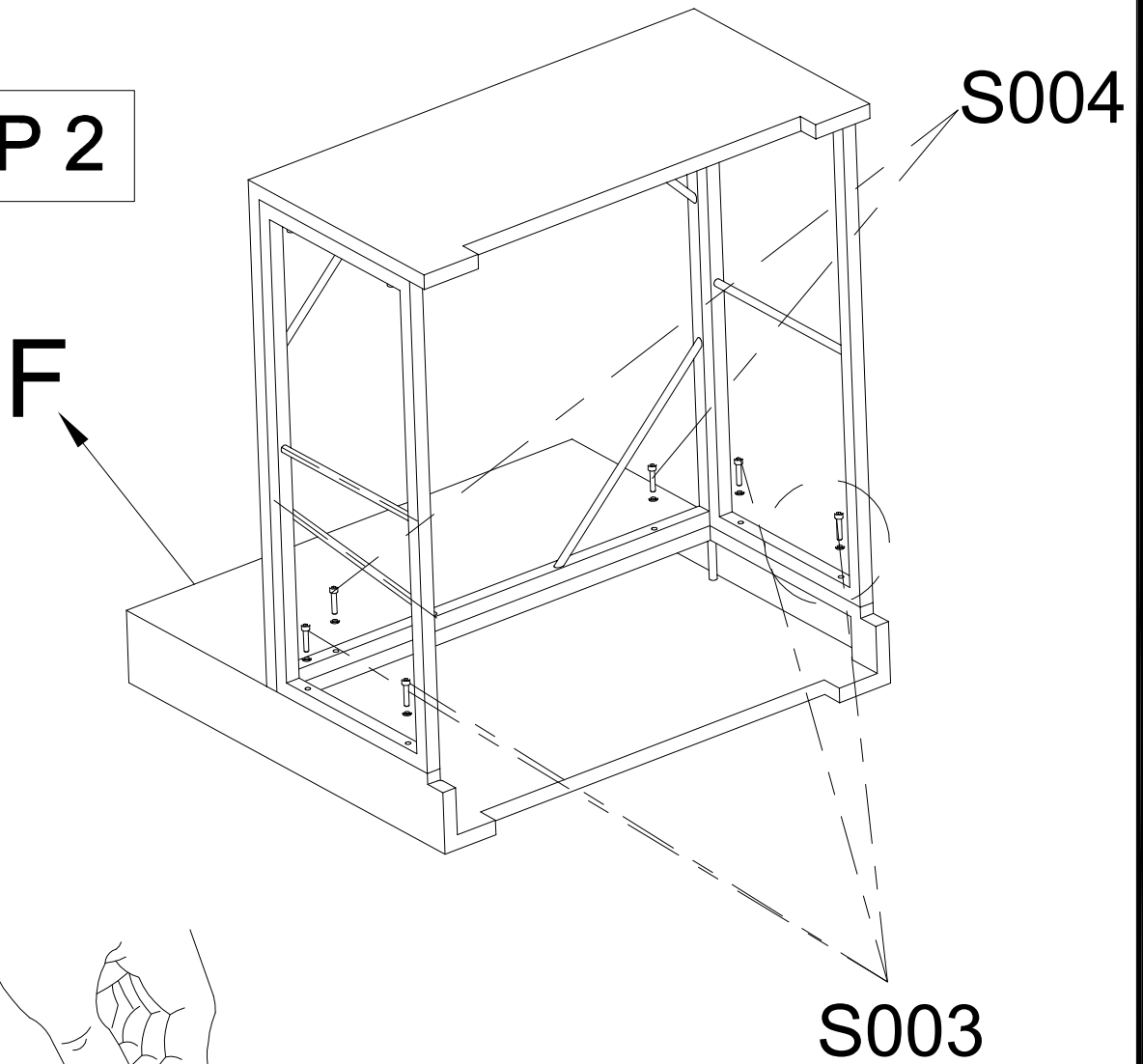
**STEP 1**



**Do Not Tighten The Screws Completely!**

# Armless Chair

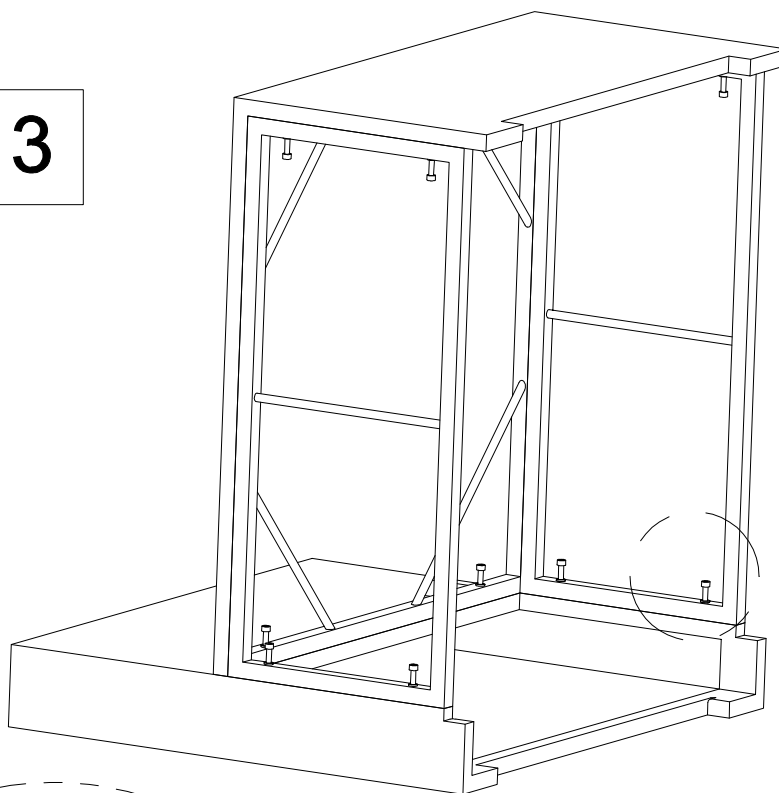
**STEP 2**



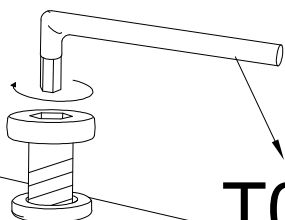
**Do Not Tighten The Screws Completely!**

# Armless Chair

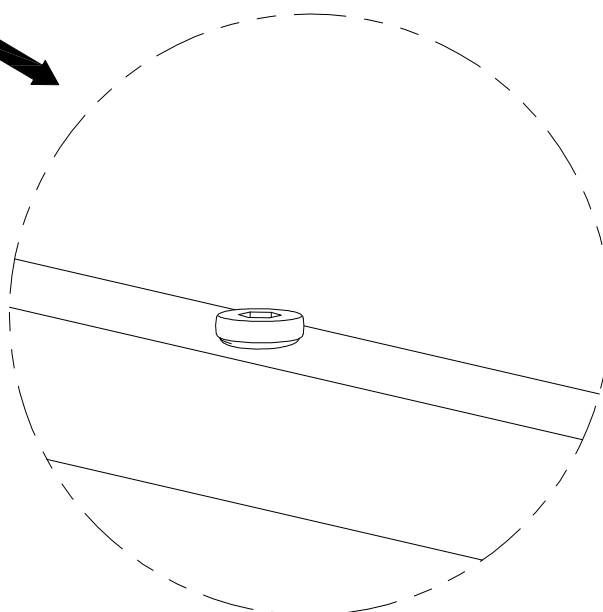
**STEP 3**



**10x**



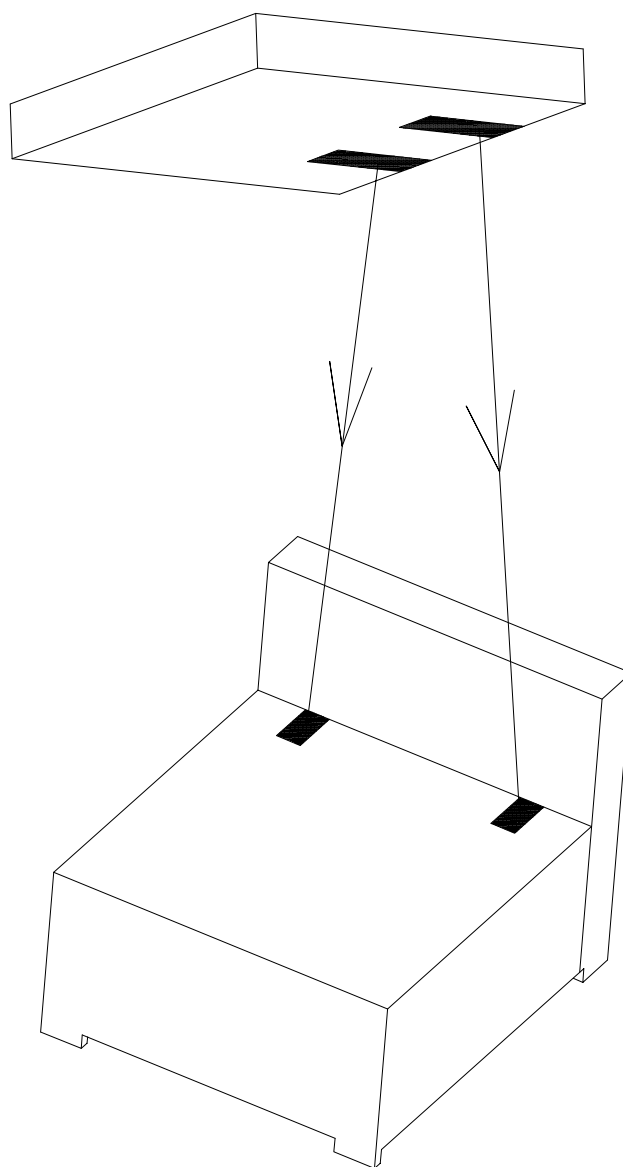
**T001**



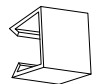
**Tighten The Screws Completely Now!**

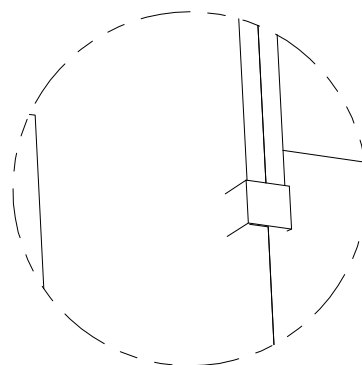
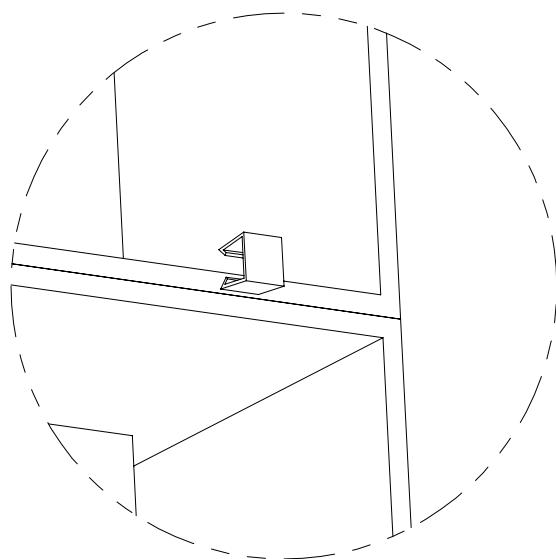
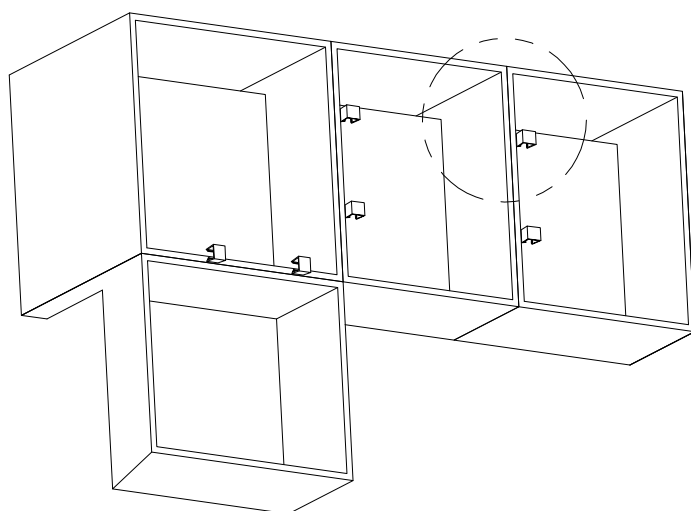
# Armless Chair

**STEP 4**


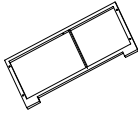
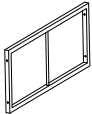





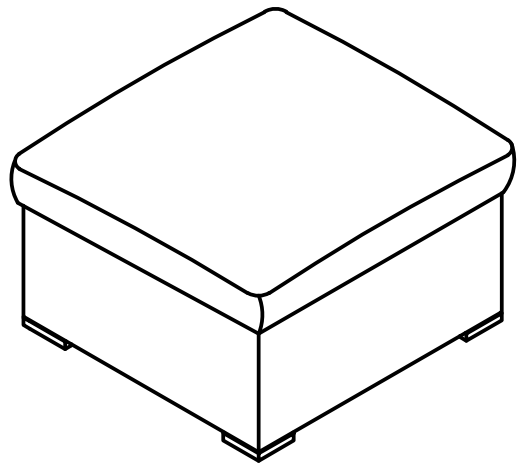
# Armless Chair & Ottoman & Coffee Table

 You might need plastic clips to connect each sofa after all assembling.



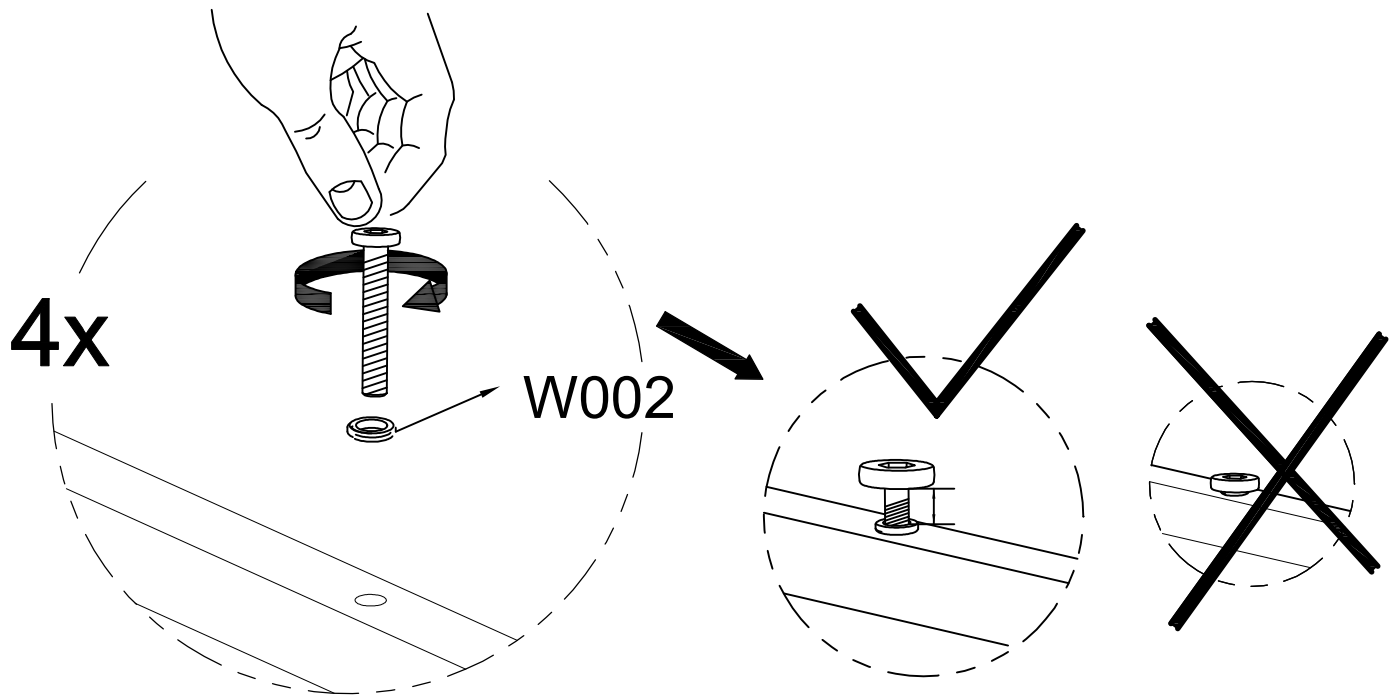
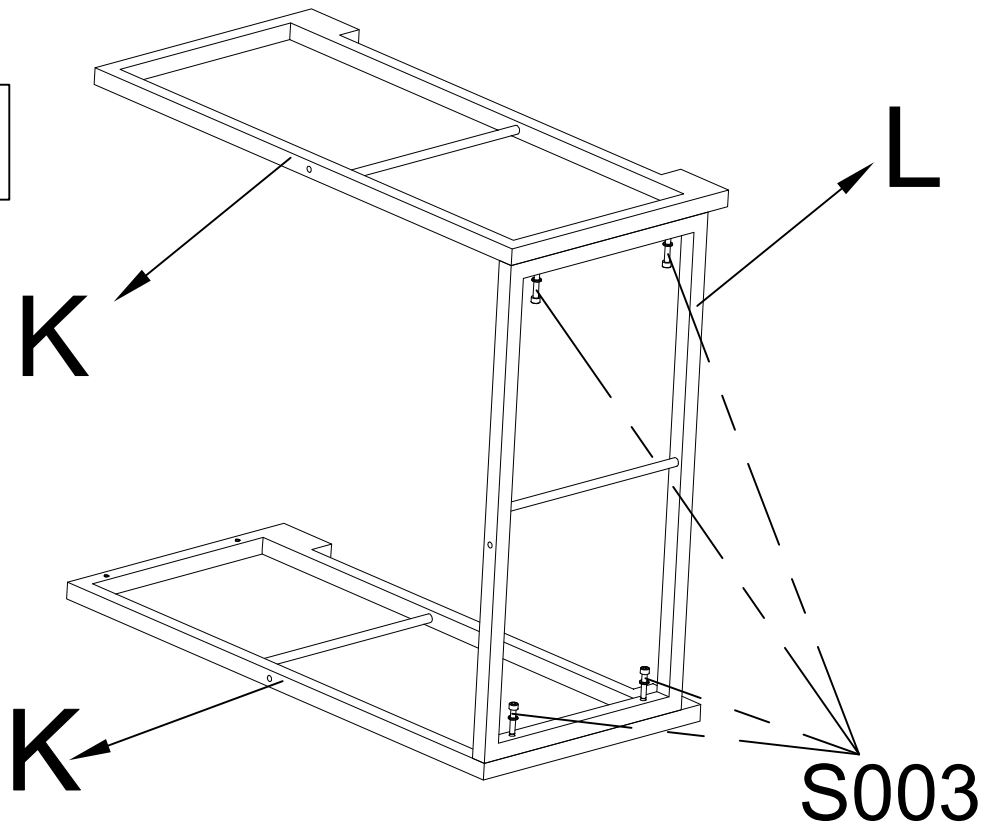
# Ottoman

Item no.	Reference Image	Description	Qty
O		Seat Base	1
K		Side Panel	2
L		Front & Back Panel	2
S003		M6x35 Hex Socket Head Screw	12
W002		Flat Washer	12
T001		S4 Allen Key	1



# Ottoman

**STEP 1**

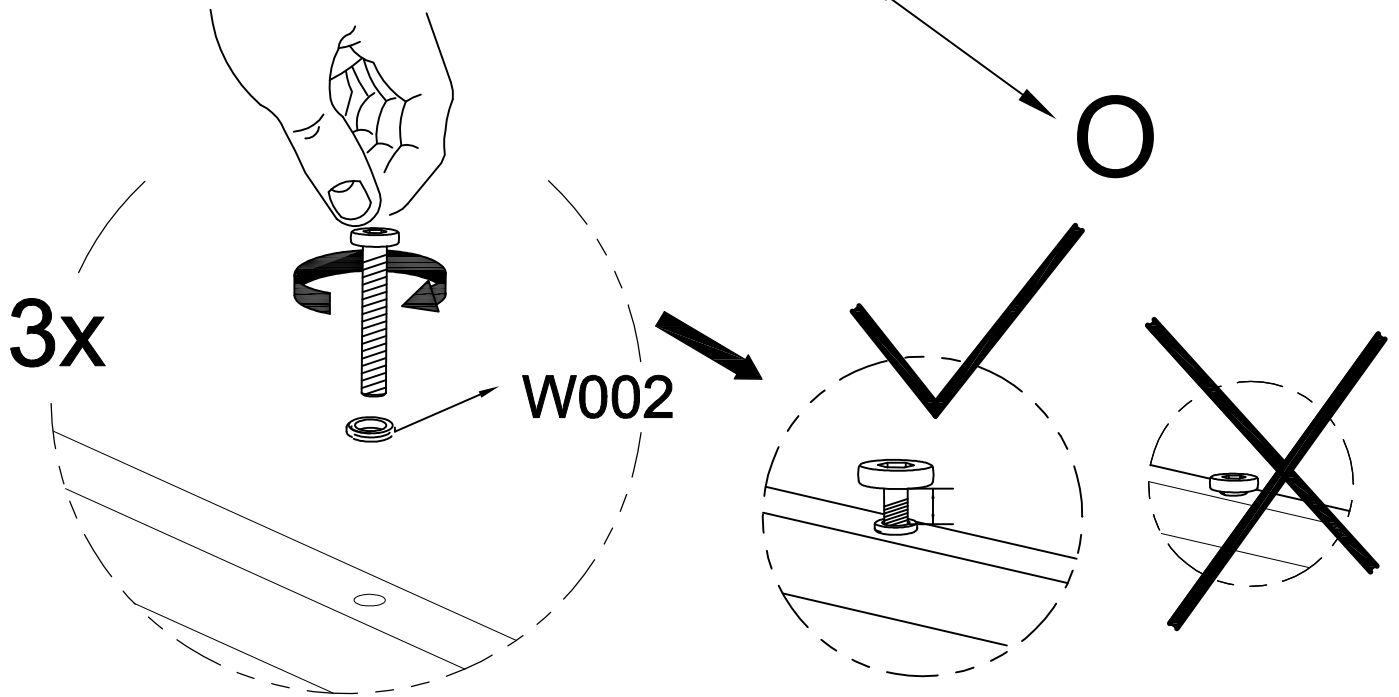
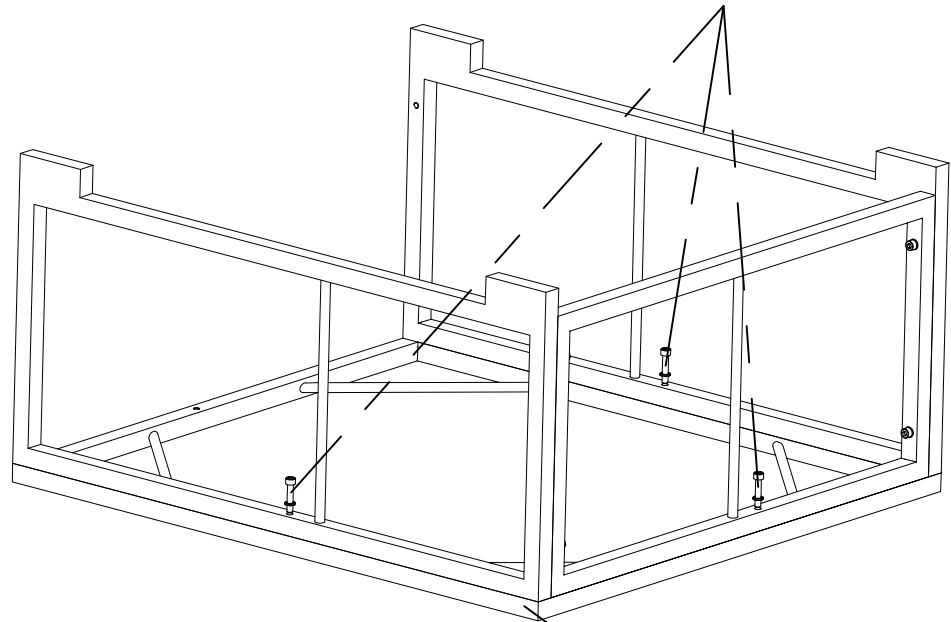


**Do Not Tighten The Screws Completely!**

# Ottoman

**STEP 2**

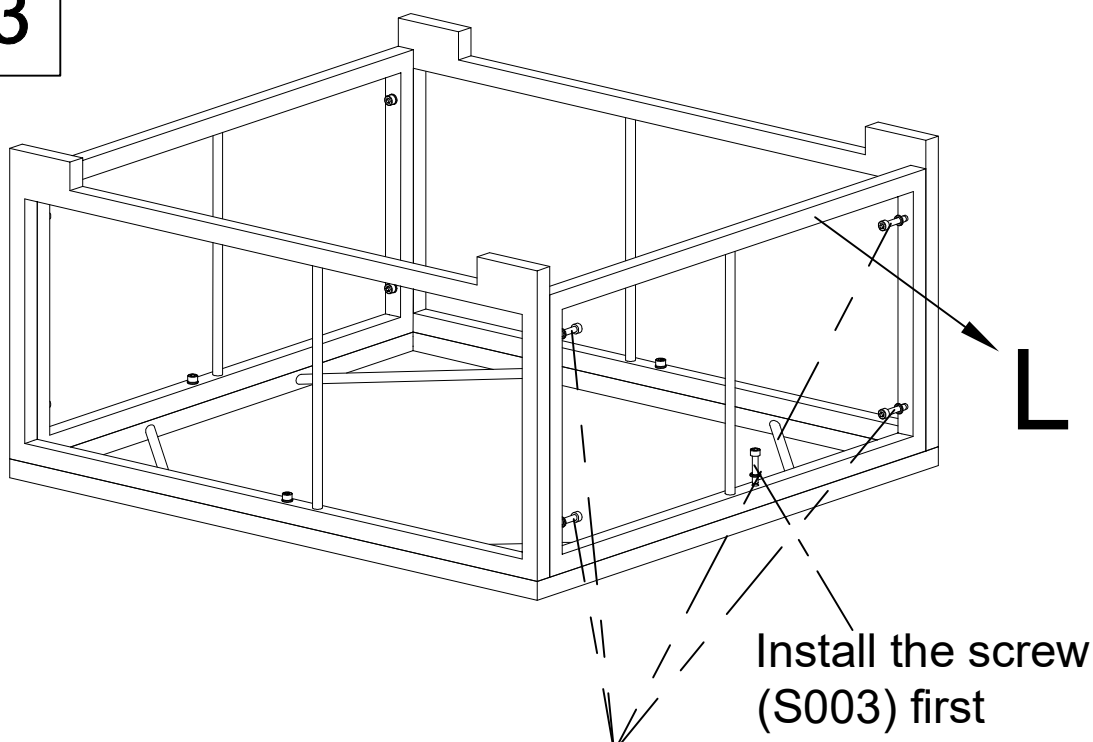
**S003**



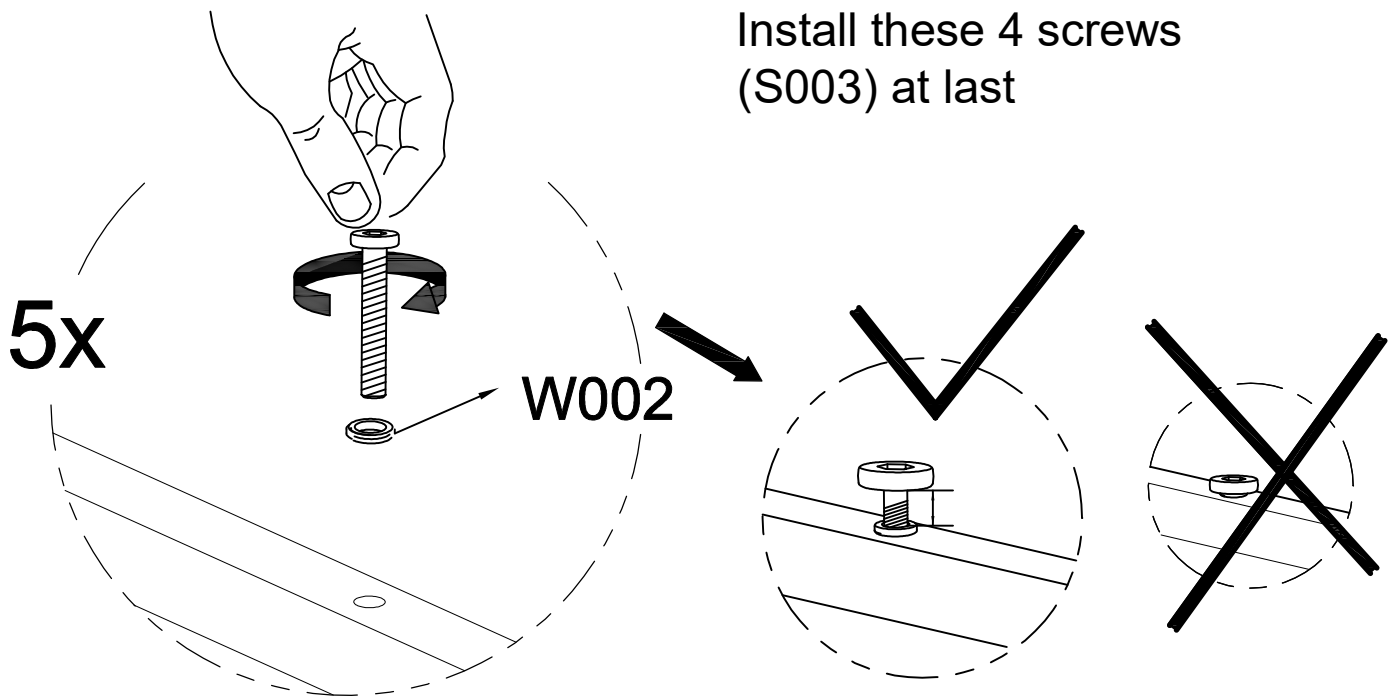
**Do Not Tighten The Screws Completely!**

# Ottoman

## STEP 3



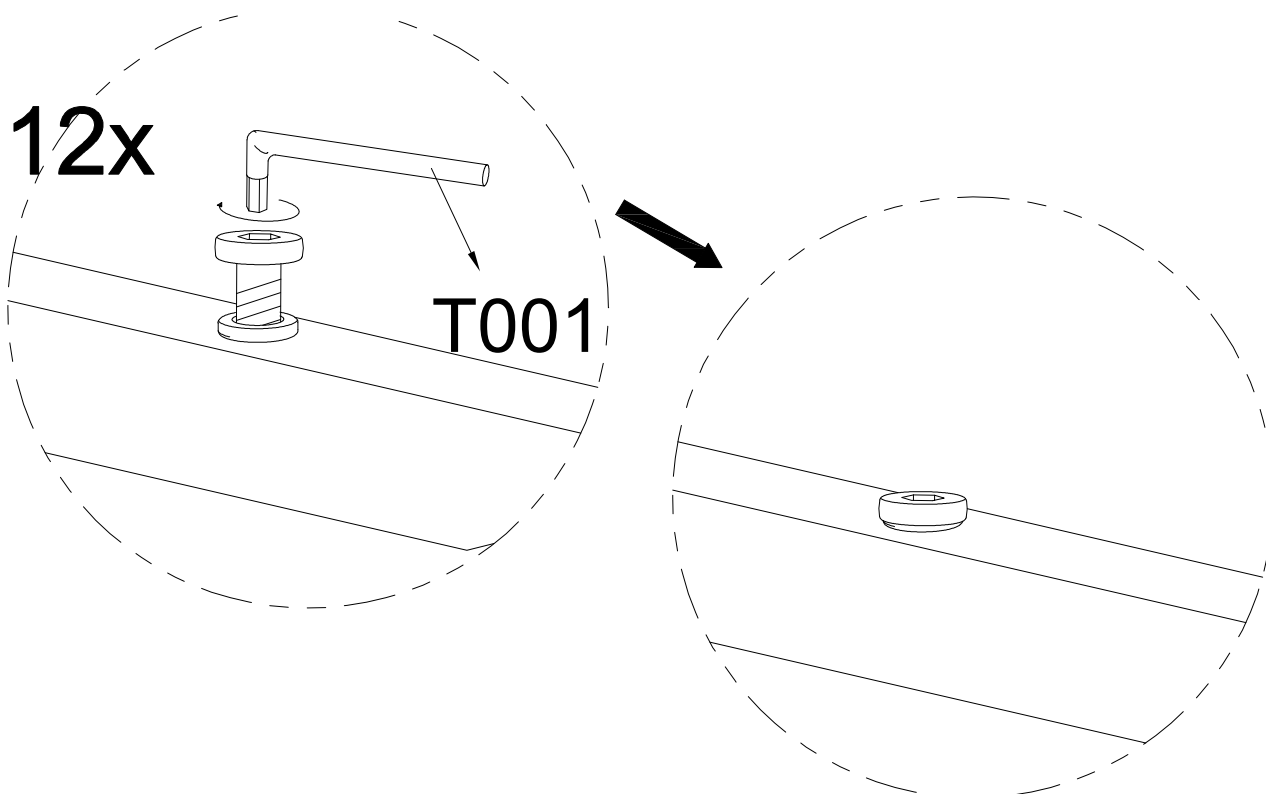
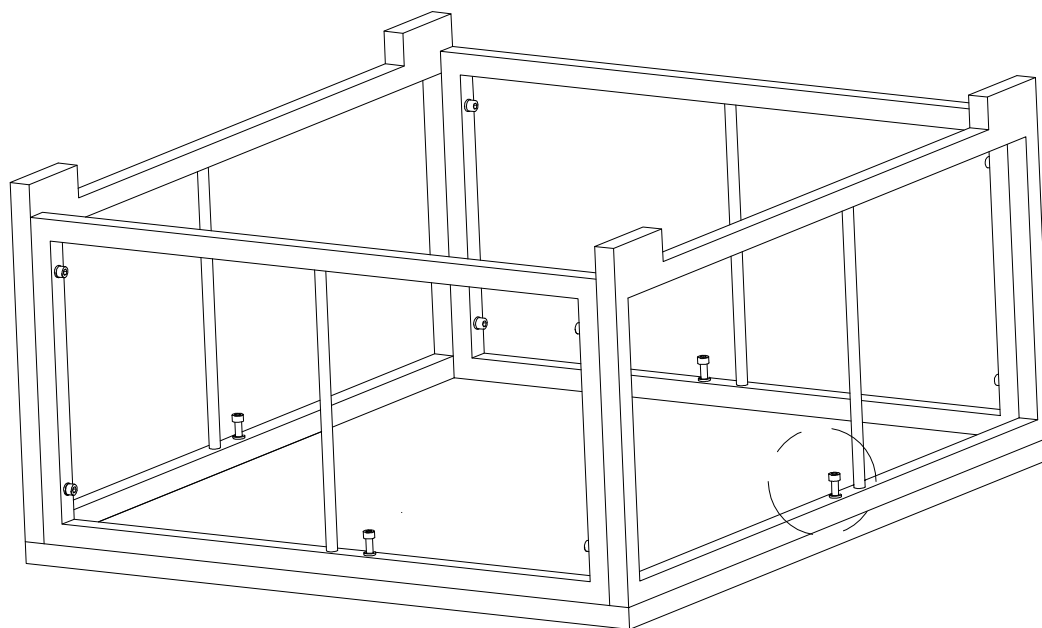
Install these 4 screws (S003) at last



**Do Not Tighten The Screws Completely!**

# Ottoman

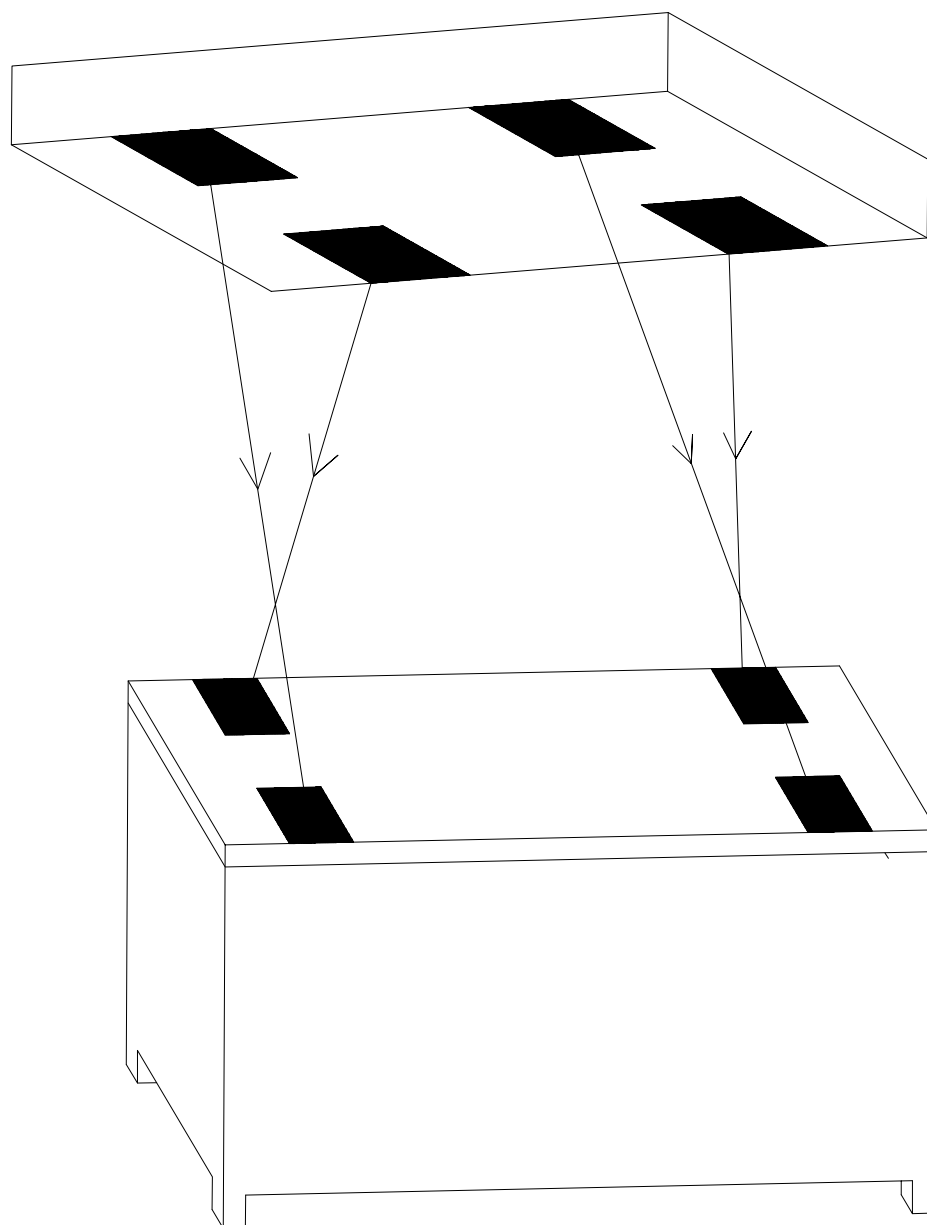
## STEP 4




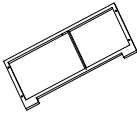
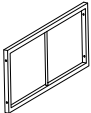
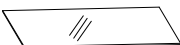



**Tighten The Screws Completely Now!**

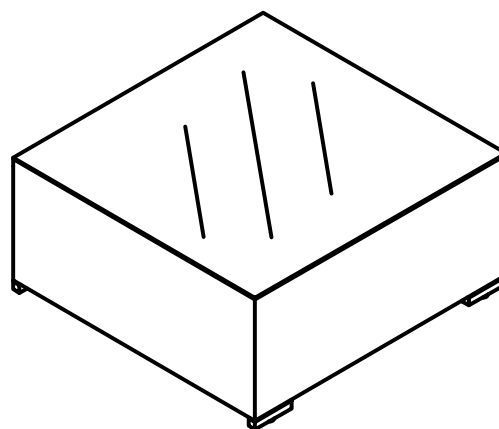
# Ottoman

## STEP 5



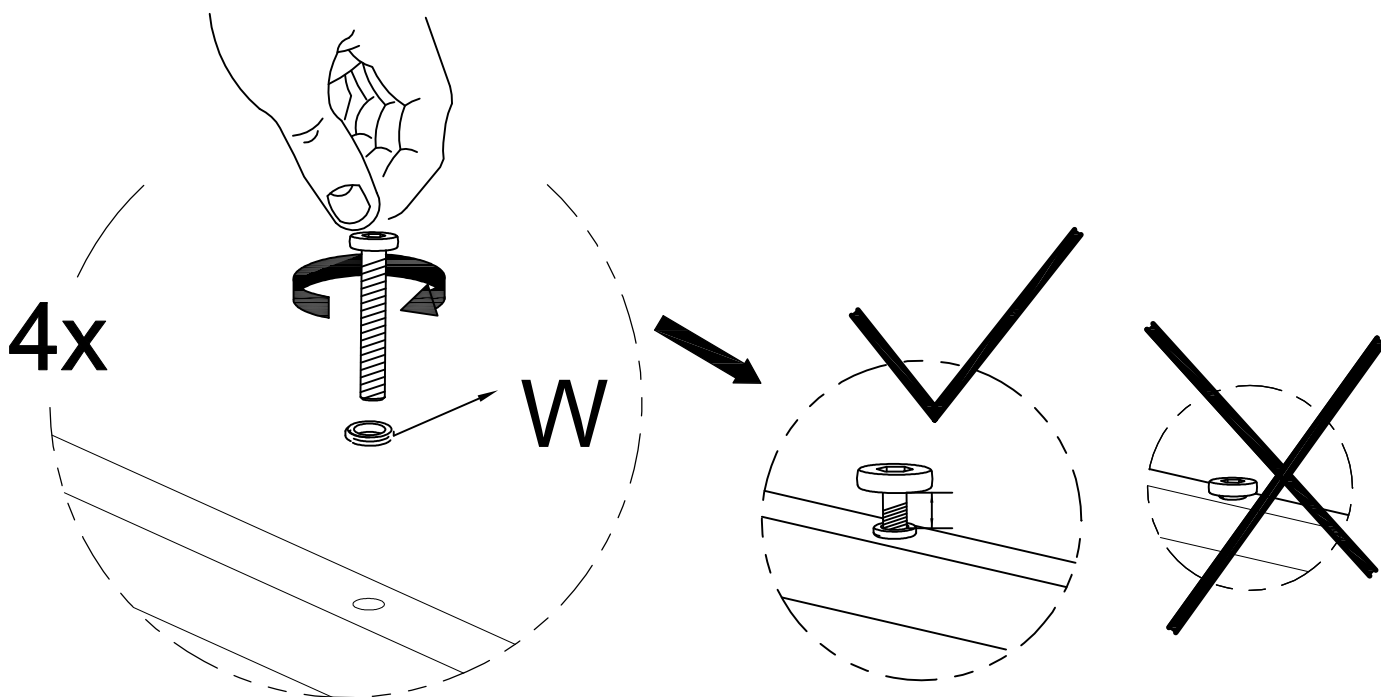
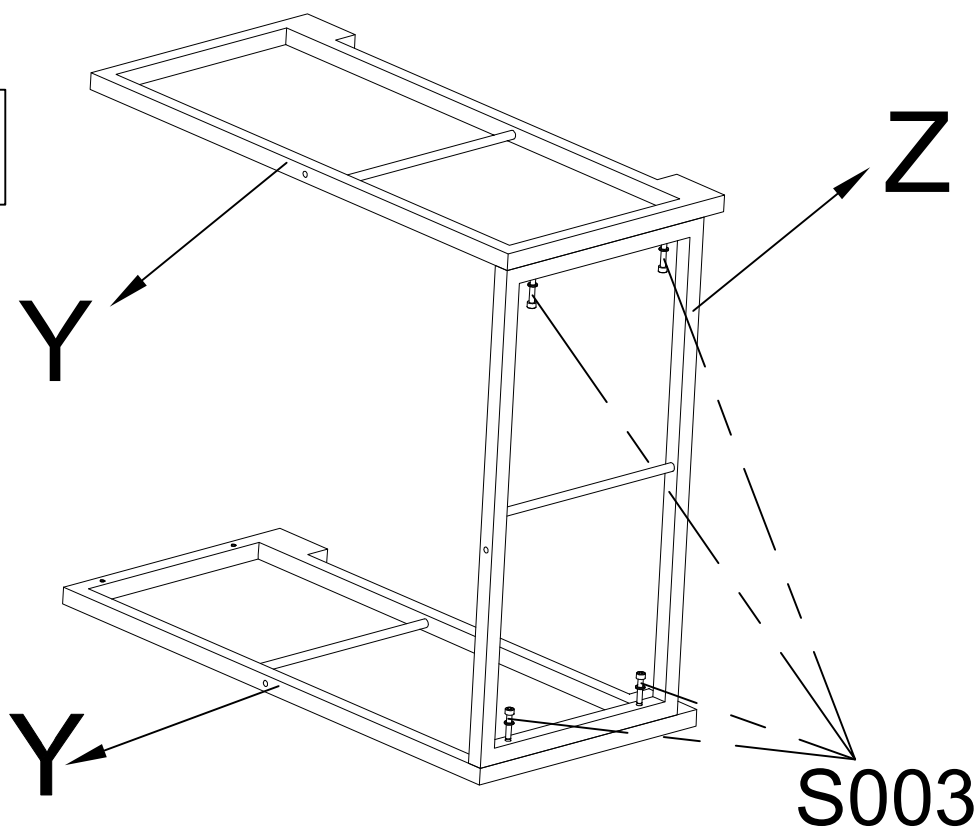
# Coffee Table

Item no.	Reference Image	Description	Qty
J		Table Top	1
Y		Side Panel	2
Z		Front & Back Panel	2
S		Glass Top	1
S003		M6x35 Hex Socket Head Screw	12
W002		Flat Washer	12
T001		S4 Allen Key	1



# Coffee Table

**STEP 1**

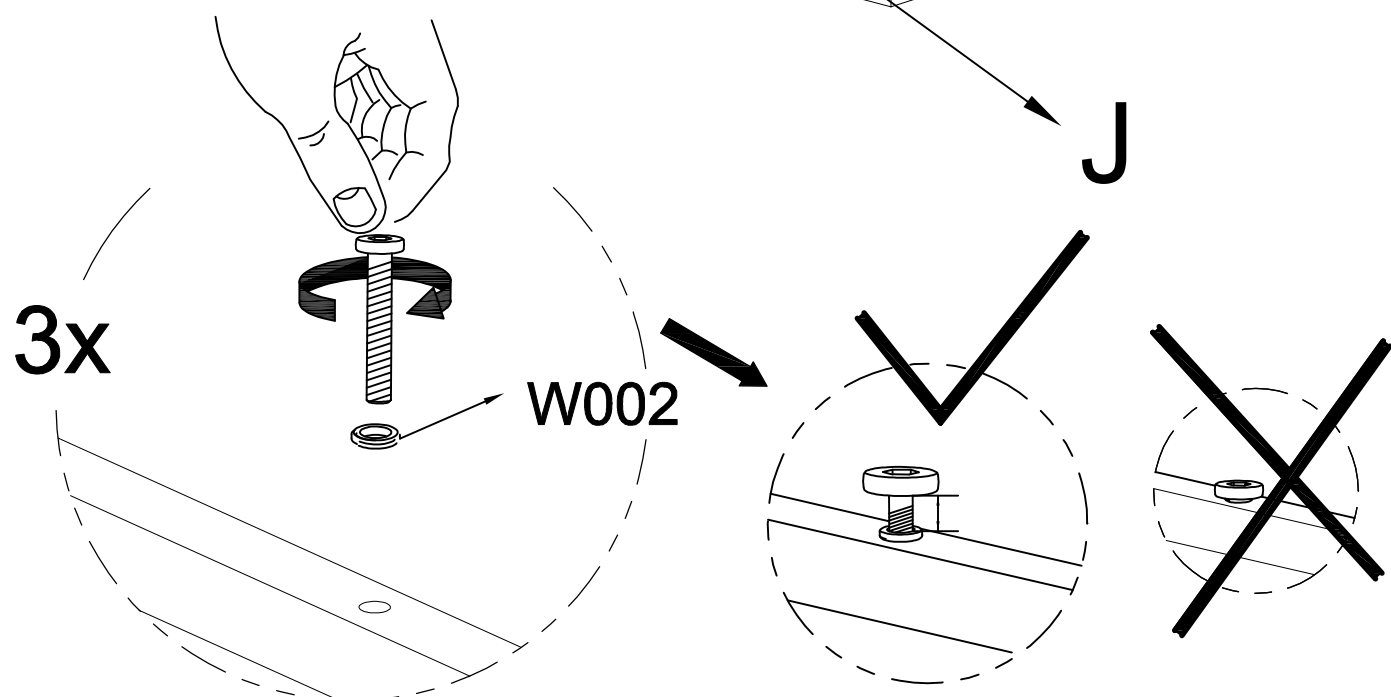
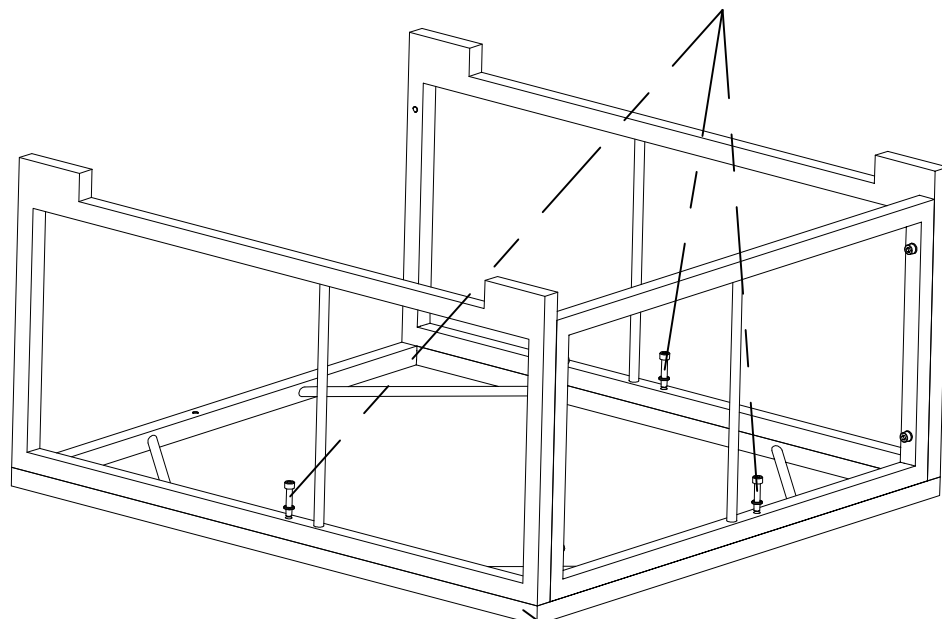


**Do Not Tighten The Screws Completely!**

# Coffee Table

**STEP 2**

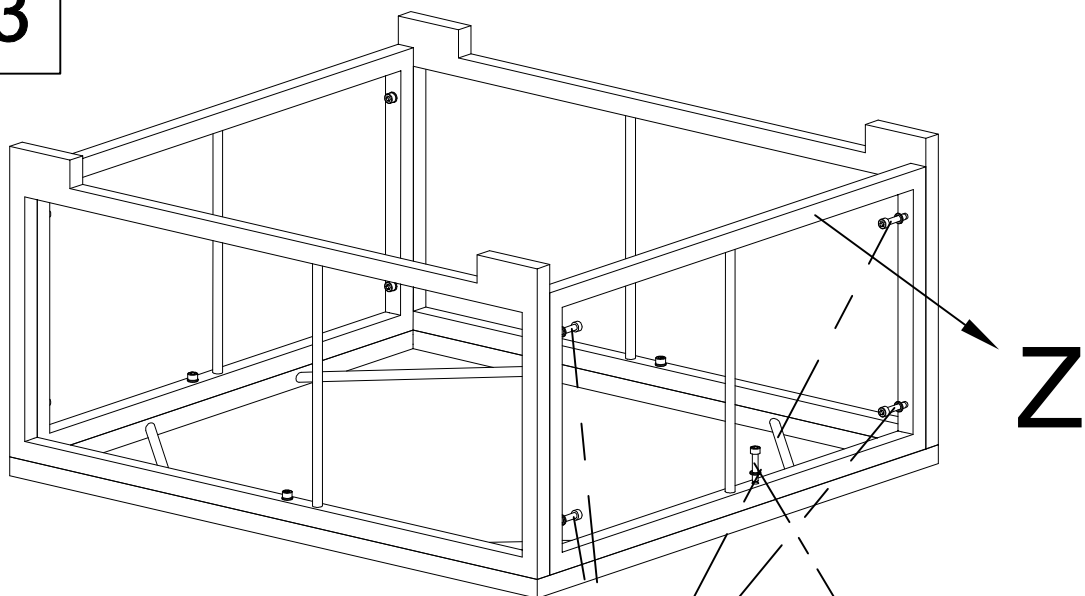
**S003**



**Do Not Tighten The Screws Completely!**

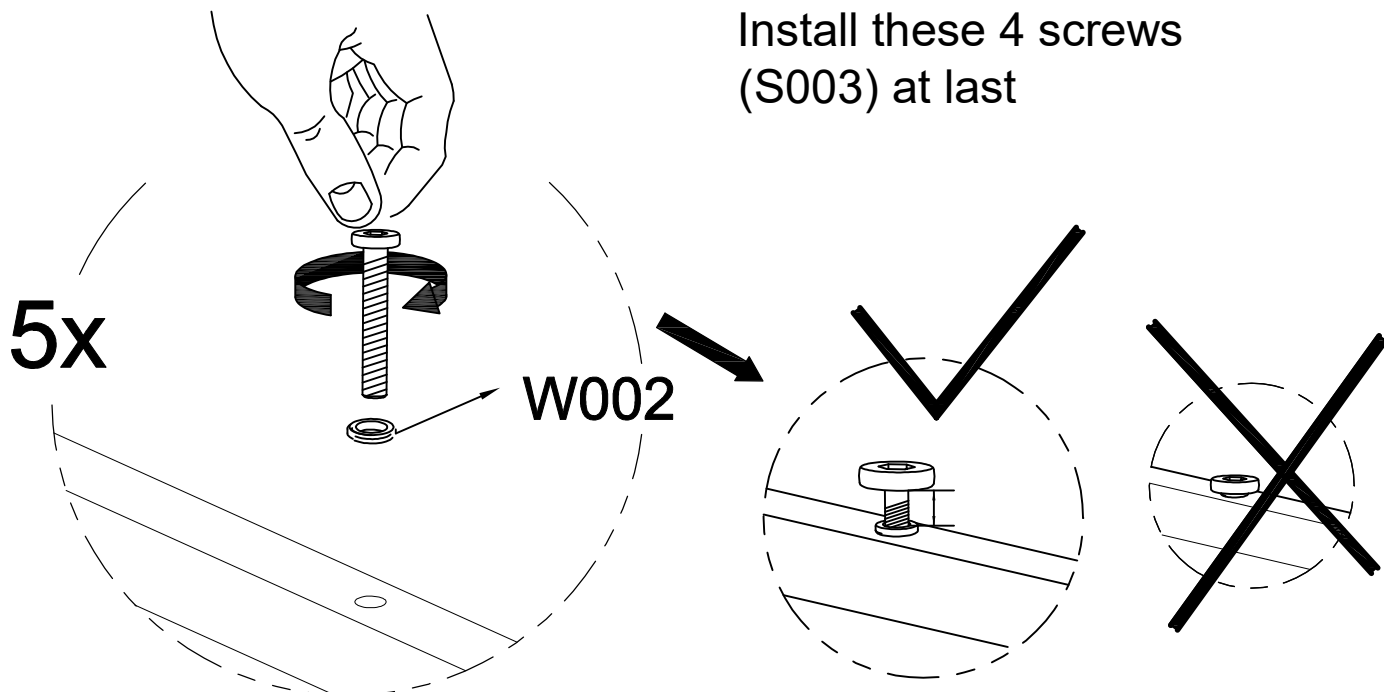
# Coffee Table

## STEP 3



Install the screw (S003) first

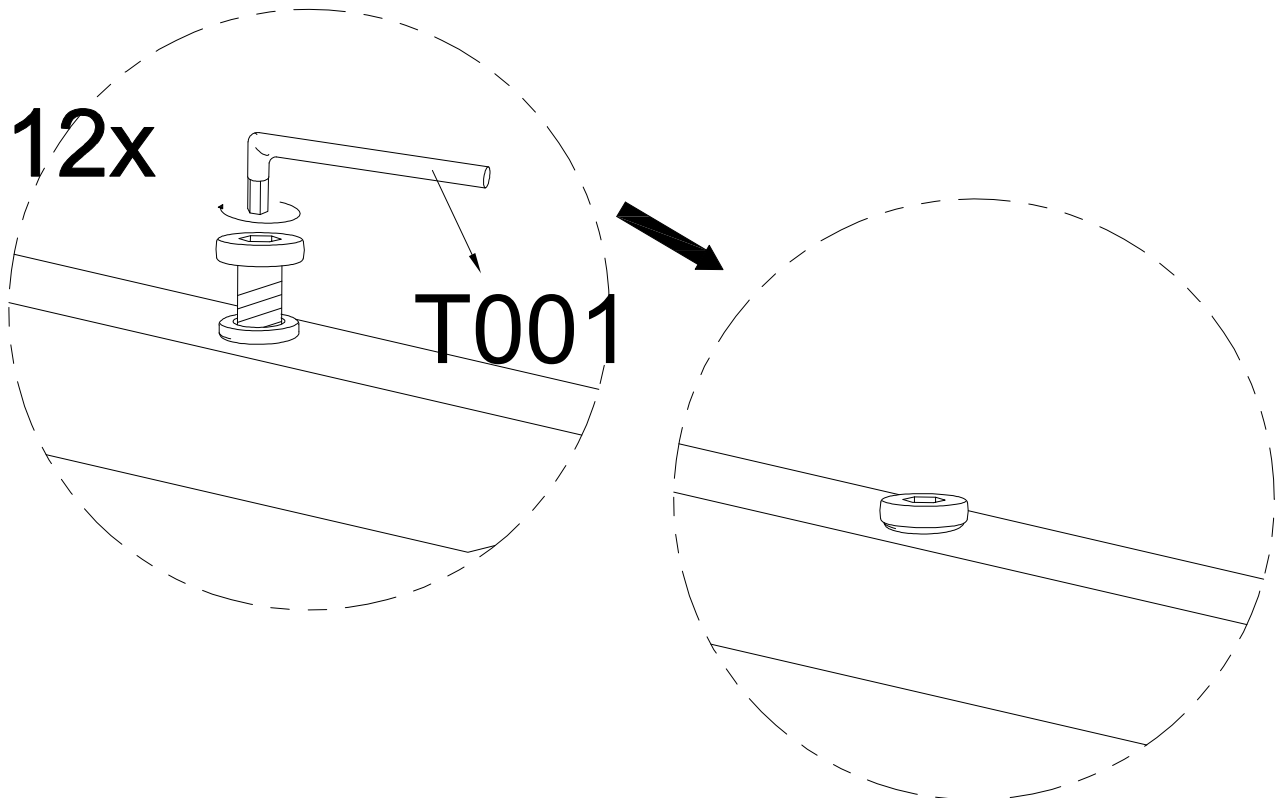
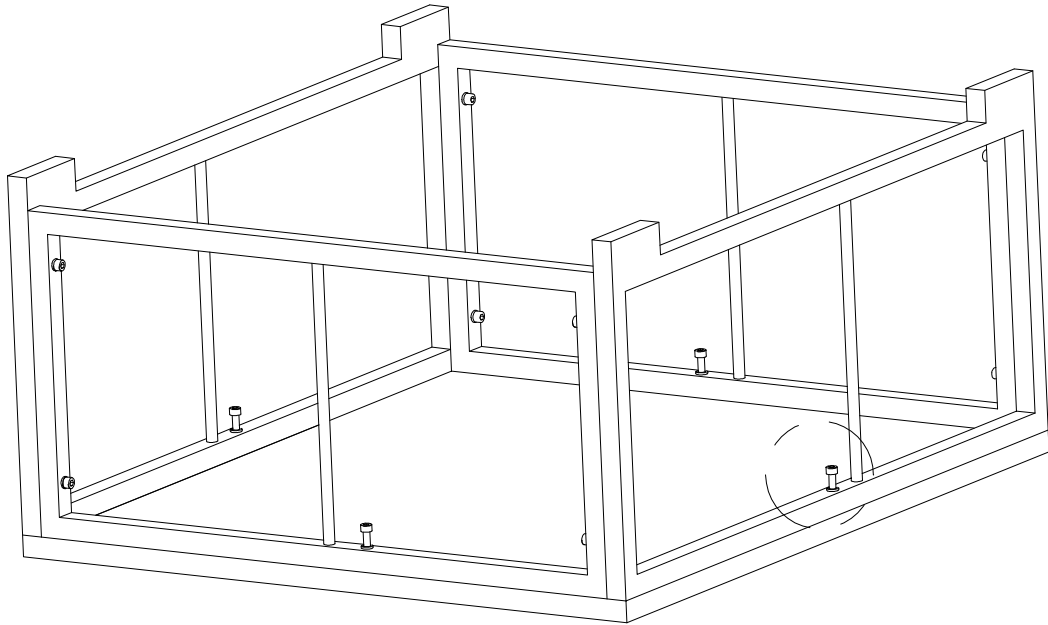
Install these 4 screws (S003) at last



**Do Not Tighten The Screws Completely!**

# Coffee Table

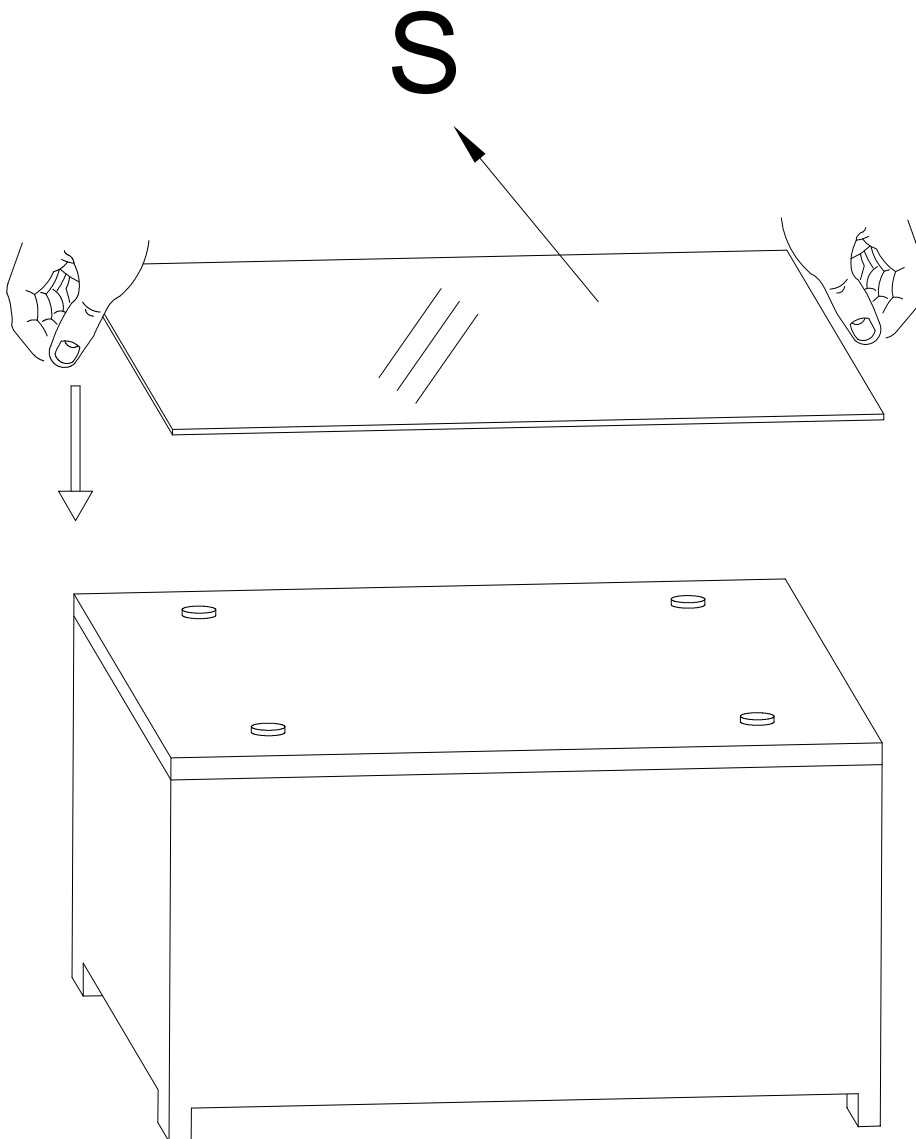
## STEP 4



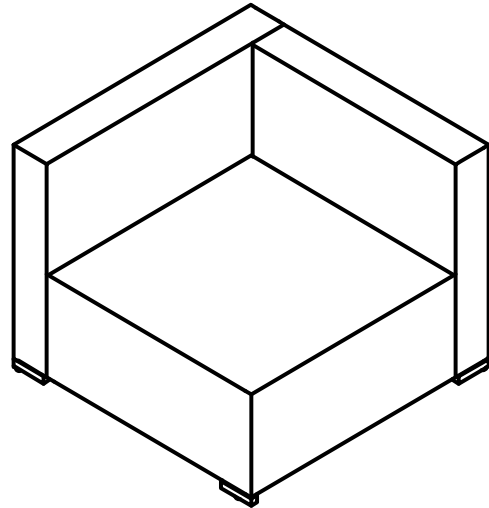
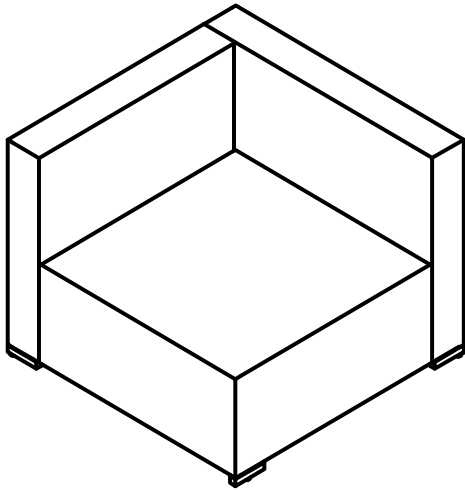
Tighten The Screws Completely Now!

# Coffee Table

## STEP 5



# Right & Left Corner Seat



## **Thank You for Choosing us!**

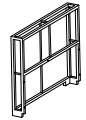

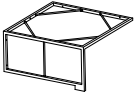
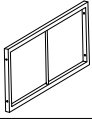

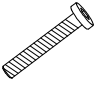



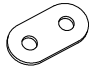
Our goal is to provide high quality outdoor furniture with outstanding customer service-all at an affordable price.

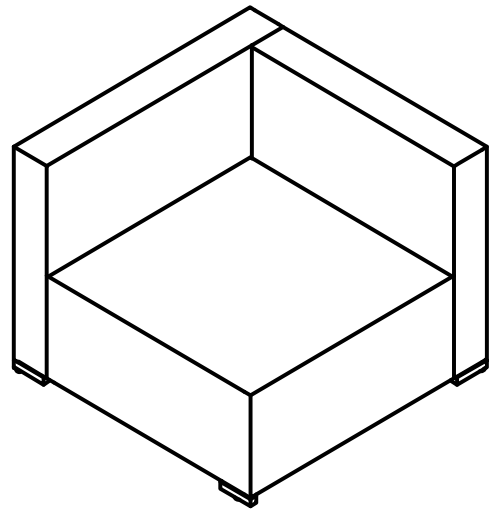
Please let us know how we are doing!

## **Problems?**

We will fix it immediately.

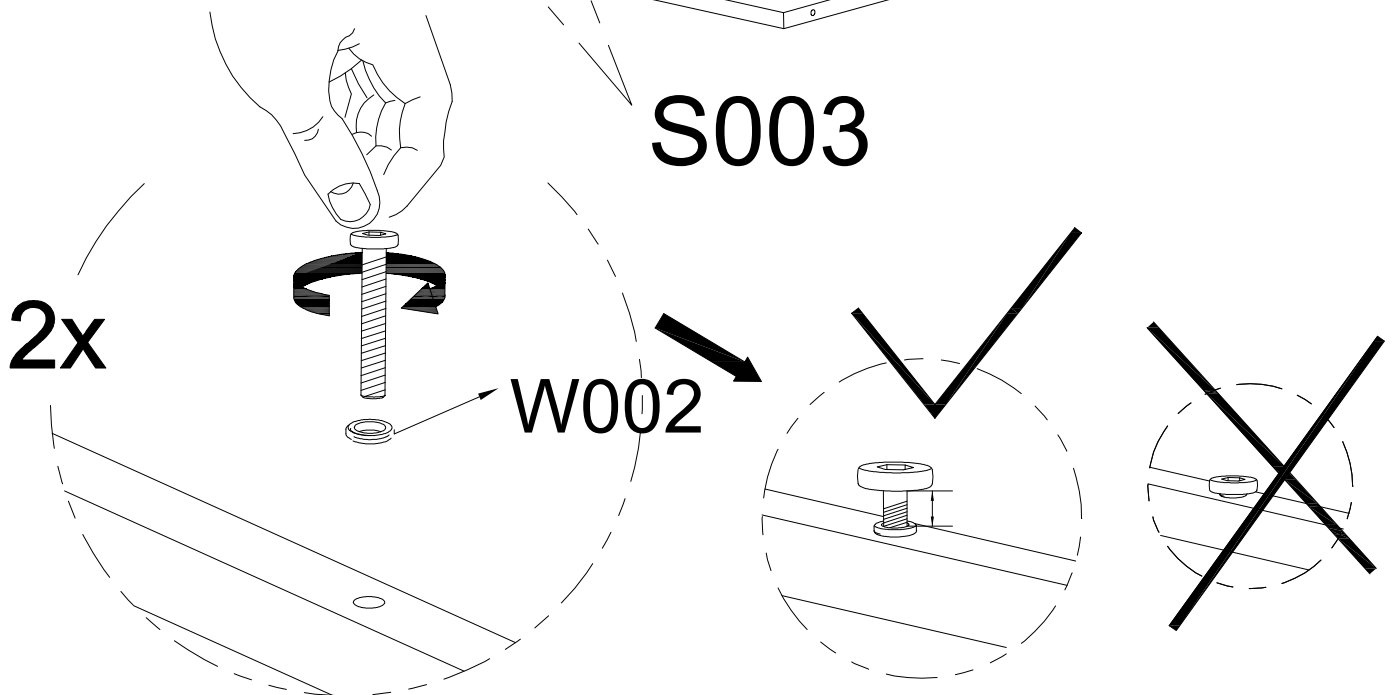
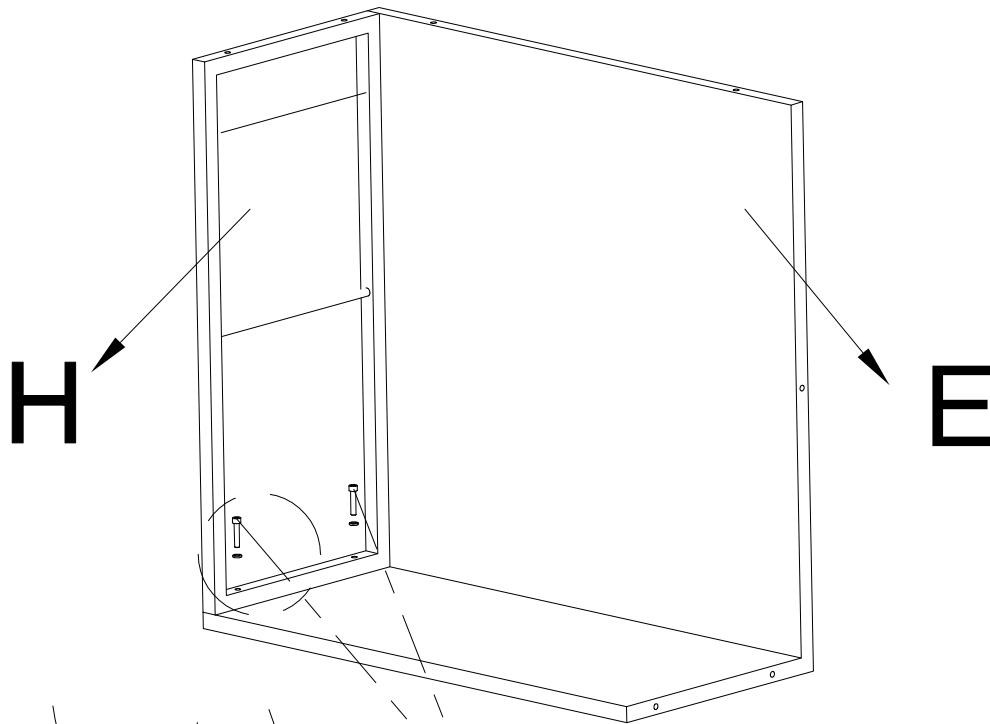
# Right Corner Seat

Item no.	Reference Image	Description	Qty
A		Right Arm Rest	1
B		Seat Back	1
E		Seat Base	1
H		Side Panel	1
S003		M6x35 Hex Socket Head Screw	8
S004		M6x40 Hex Socket Head Screw	3
W002		Flat Washer	13
T001		S4 Allen Key	1
S001		M6x15 Hex Socket Head Screw	2
W001		Connector	1



# Right Corner Seat

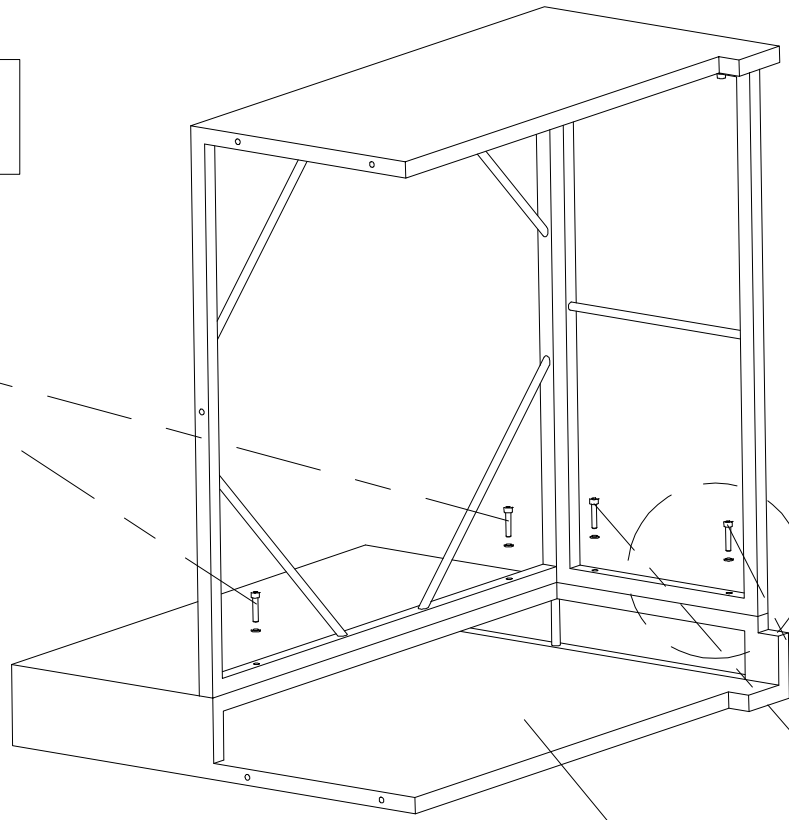
## STEP 1



# Right Corner Seat

**STEP 2**

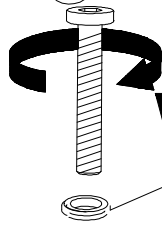
**S004**



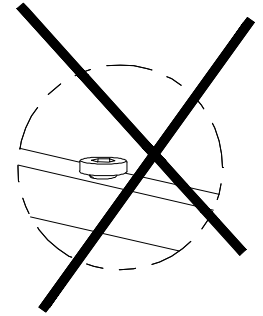
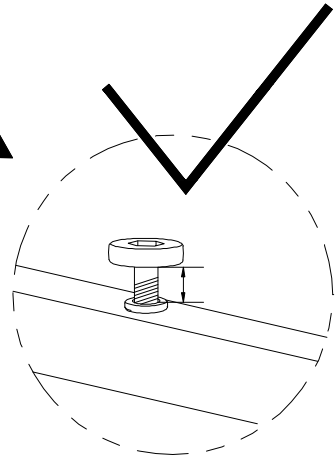
**S003**

**B**

**4x**



**W002**

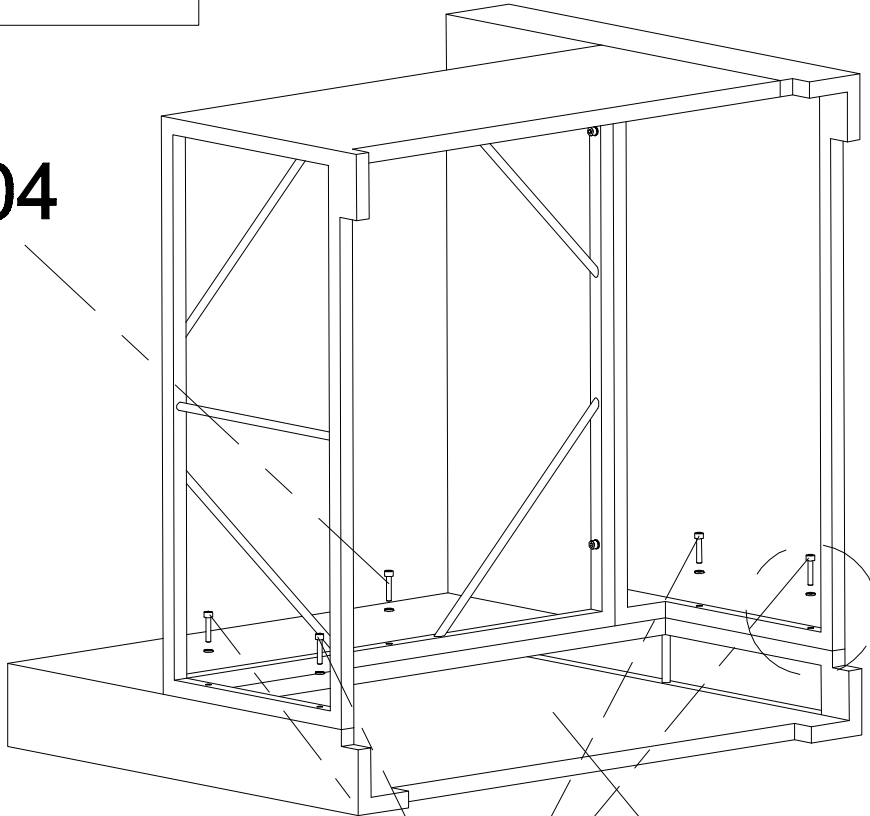


**Do Not Tighten The Screws Completely!**

# Right Corner Seat

## STEP 3

S004

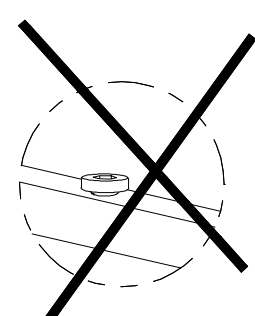
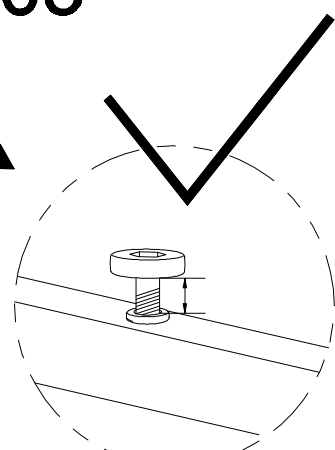
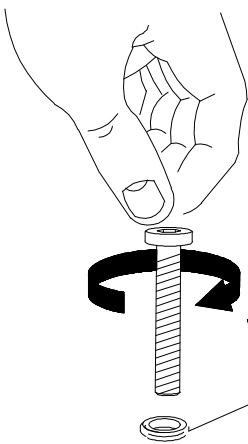


A

S003

5x

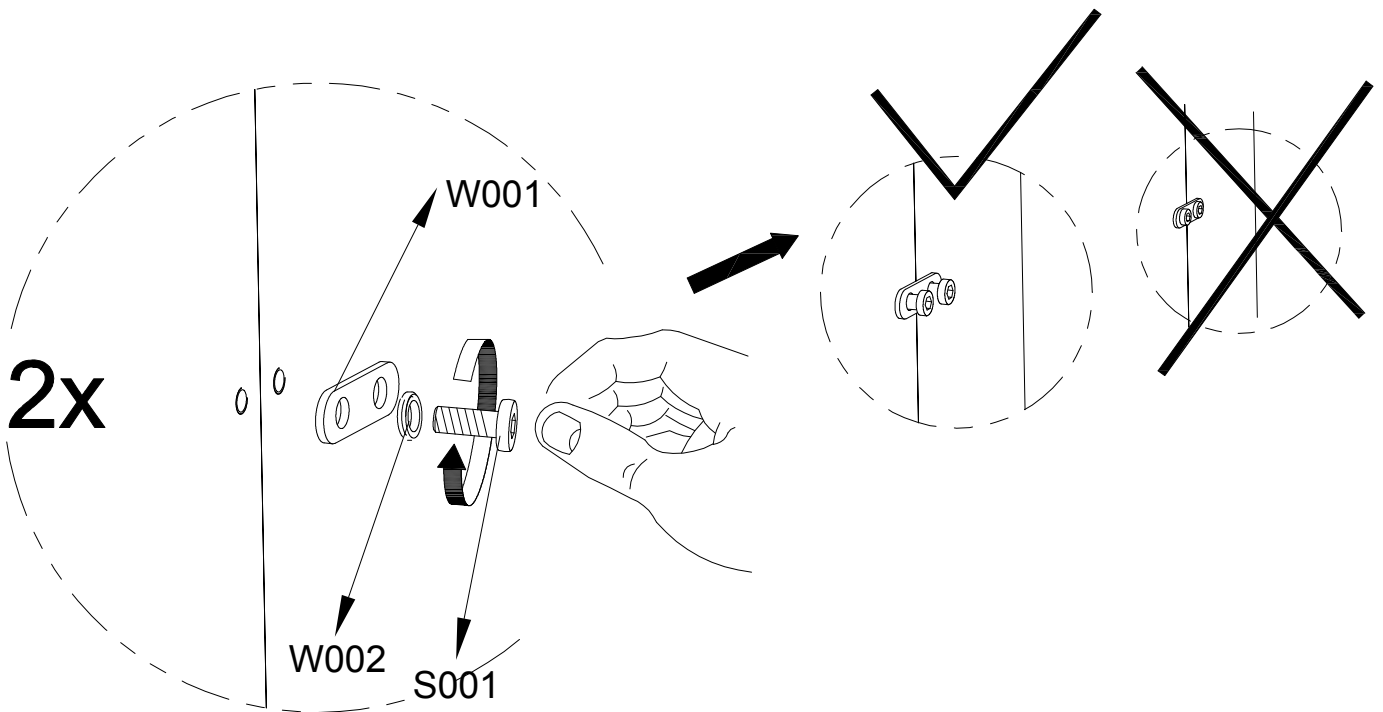
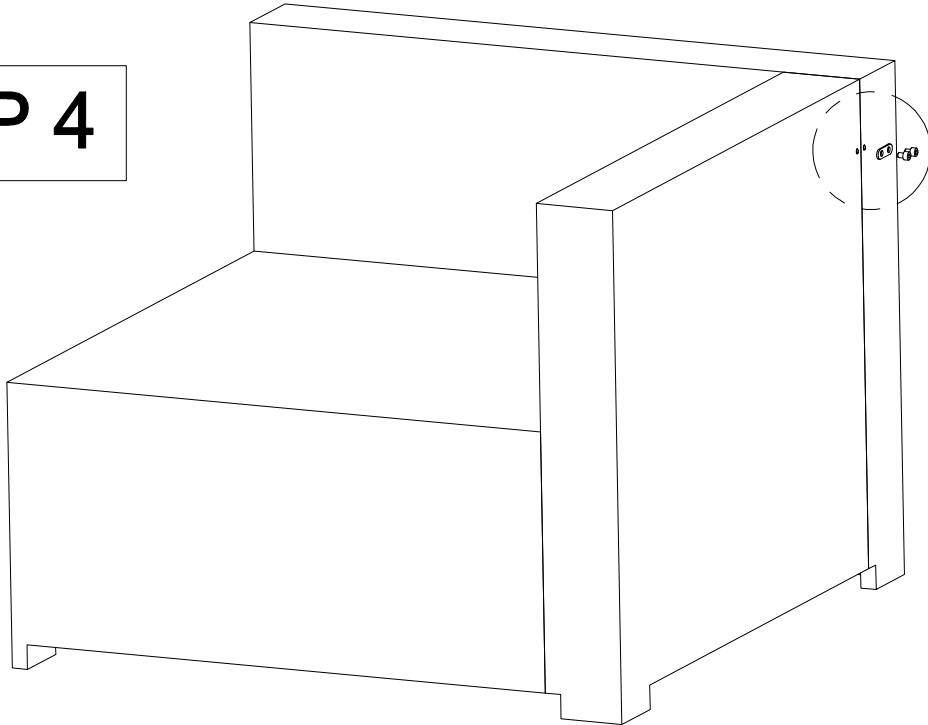
W002



**Do Not Tighten The Screws Completely!**

# Right Corner Seat

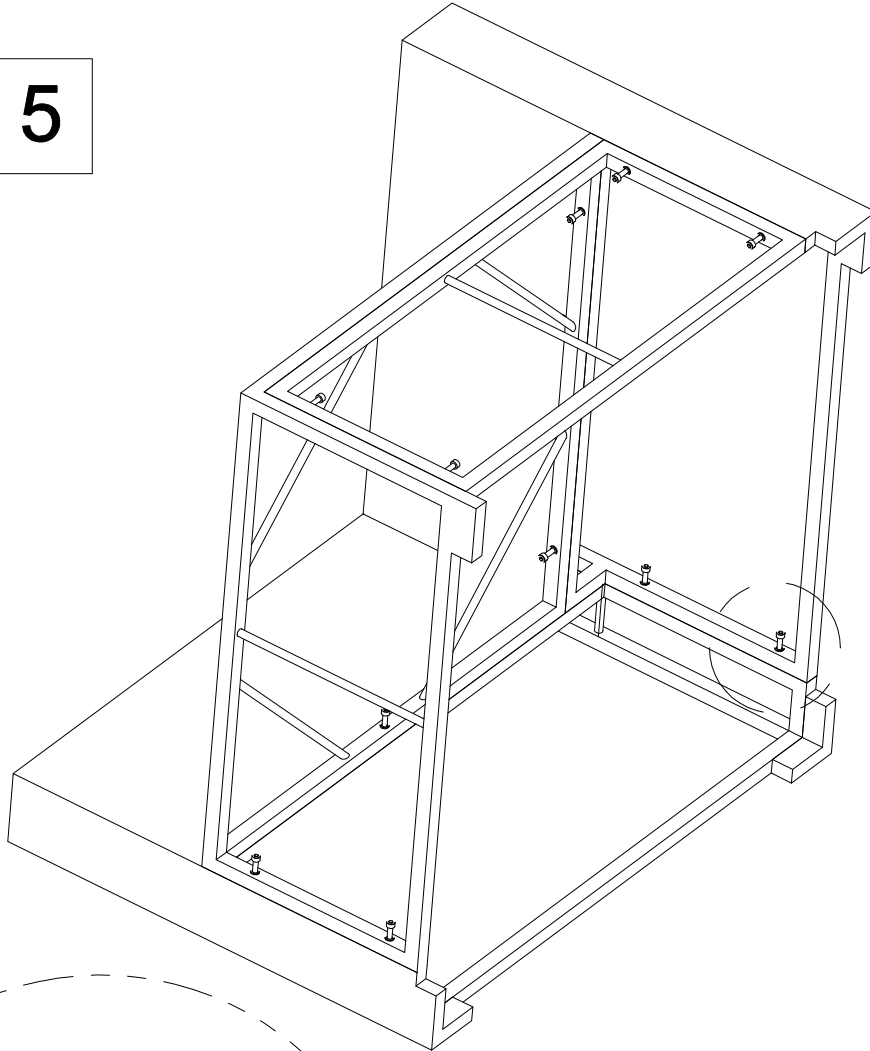
**STEP 4**



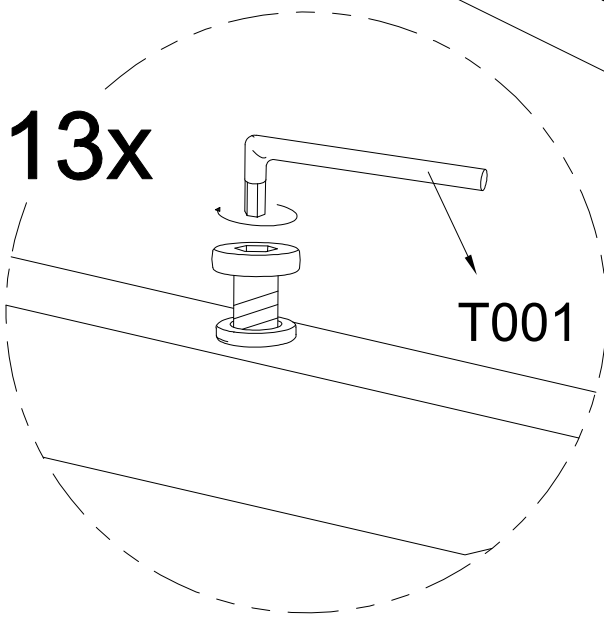
**Do Not Tighten The Screws Completely!**

# Right Corner Seat

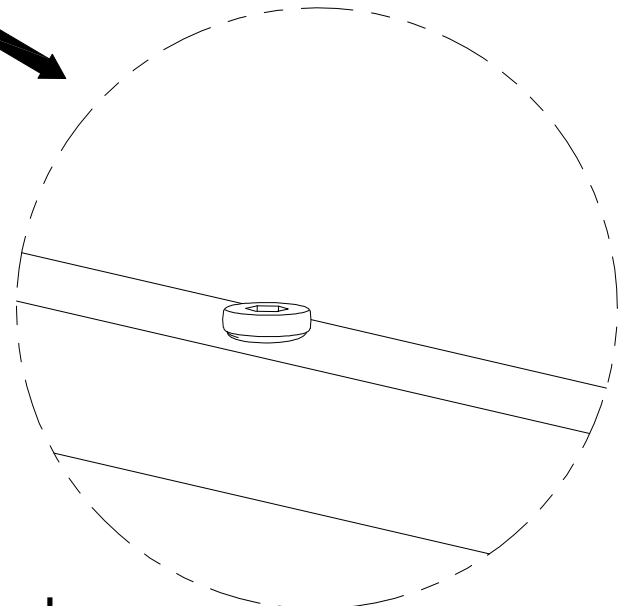
**STEP 5**



**13x**



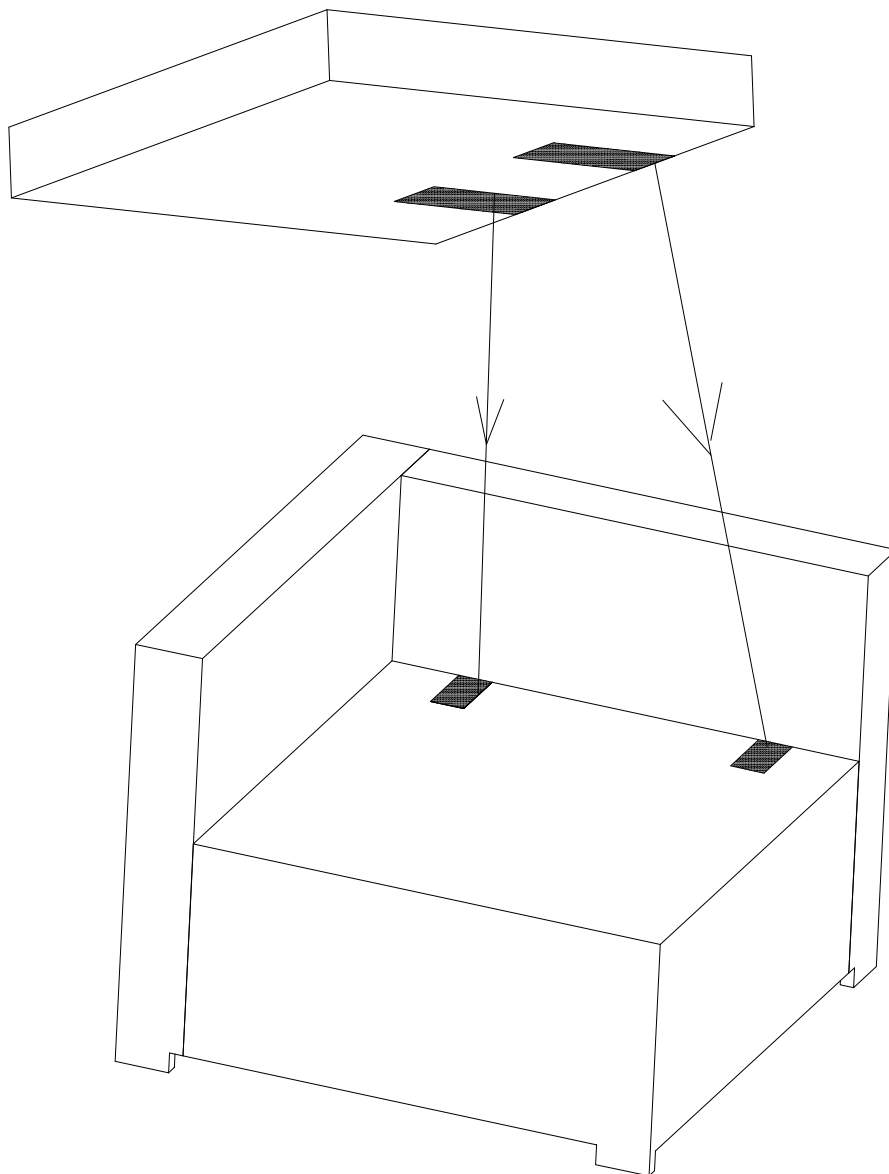
T001



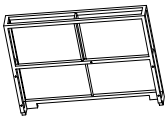
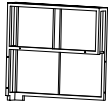
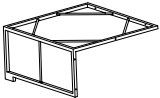
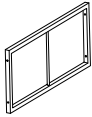

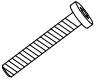



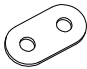
**Tighten The Screws Completely Now!**

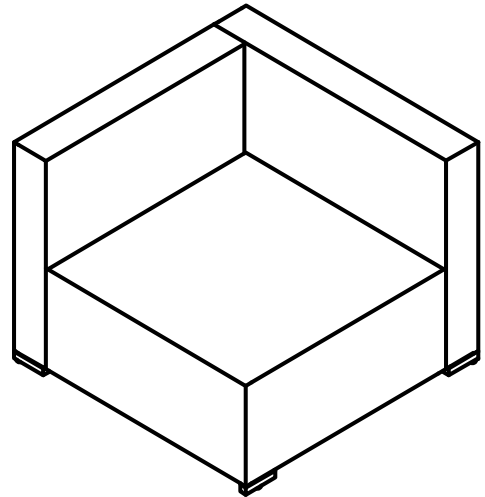
# Right Corner Seat

**STEP 6**



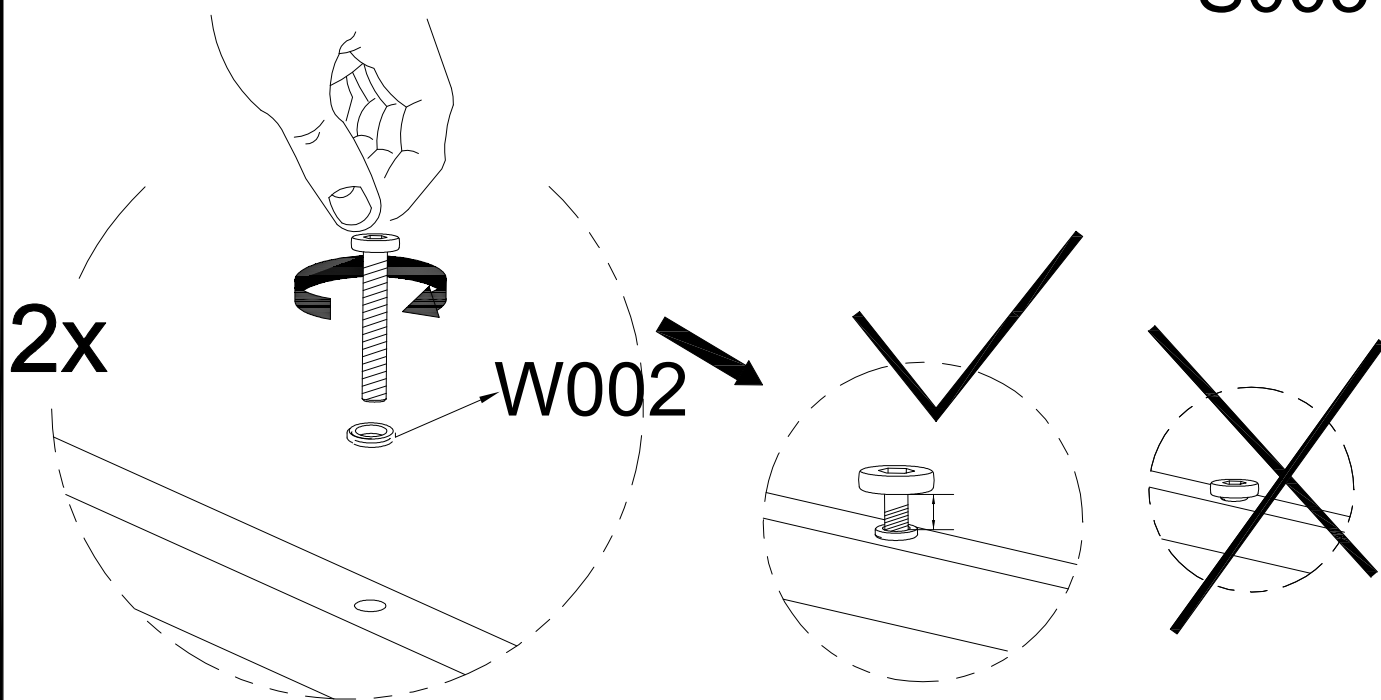
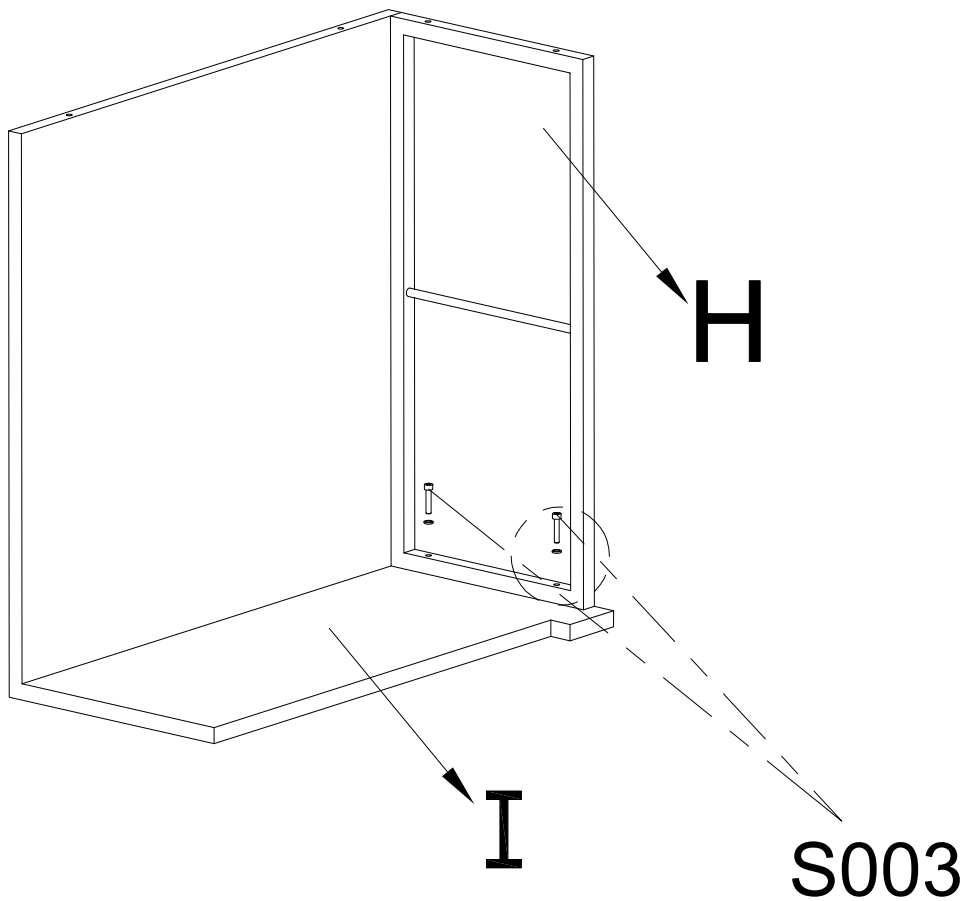
# Left Corner Seat

Item no.	Reference Image	Description	Qty
D		Left Arm Rest	1
C		Seat Back	1
I		Seat Base	1
H		Side Panel	1
S003		M6x35 Hex Socket Head Screw	8
S004		M6*40 Hex Socket Head Screw	3
W002		Flat Washer	13
T001		S4 Allen Key	1
S001		M6x15 Hex Socket Head Screw	2
W001		Connector	1



# Left Corner Seat

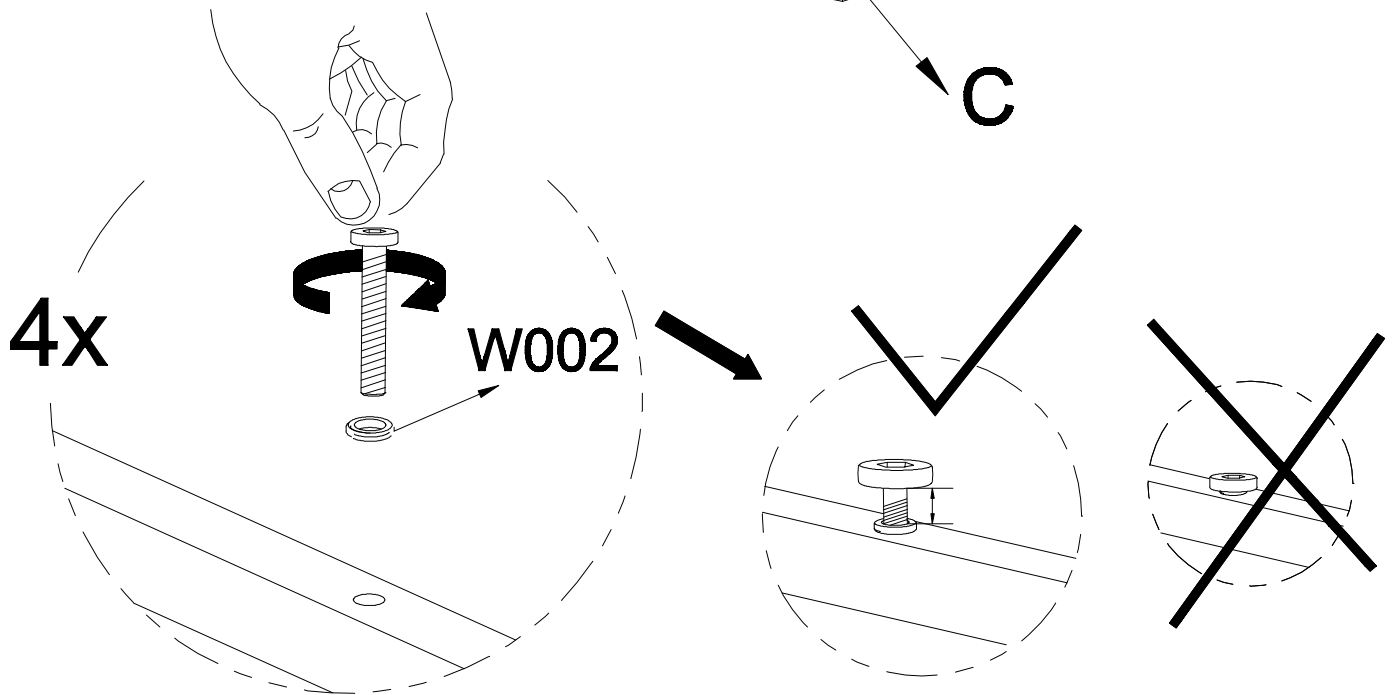
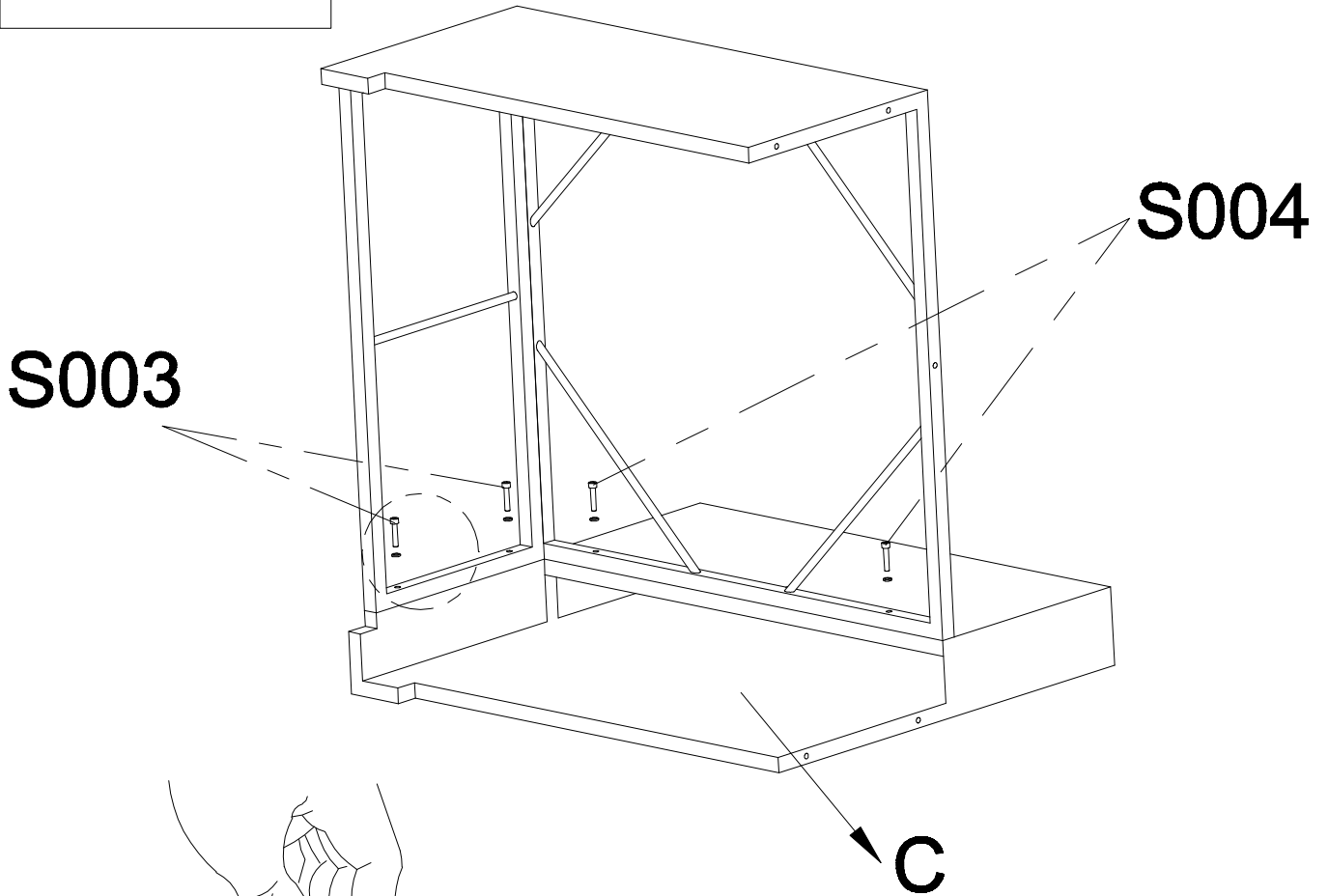
**STEP 1**



**Do Not Tighten The Screws Completely!**

# Left Corner Seat

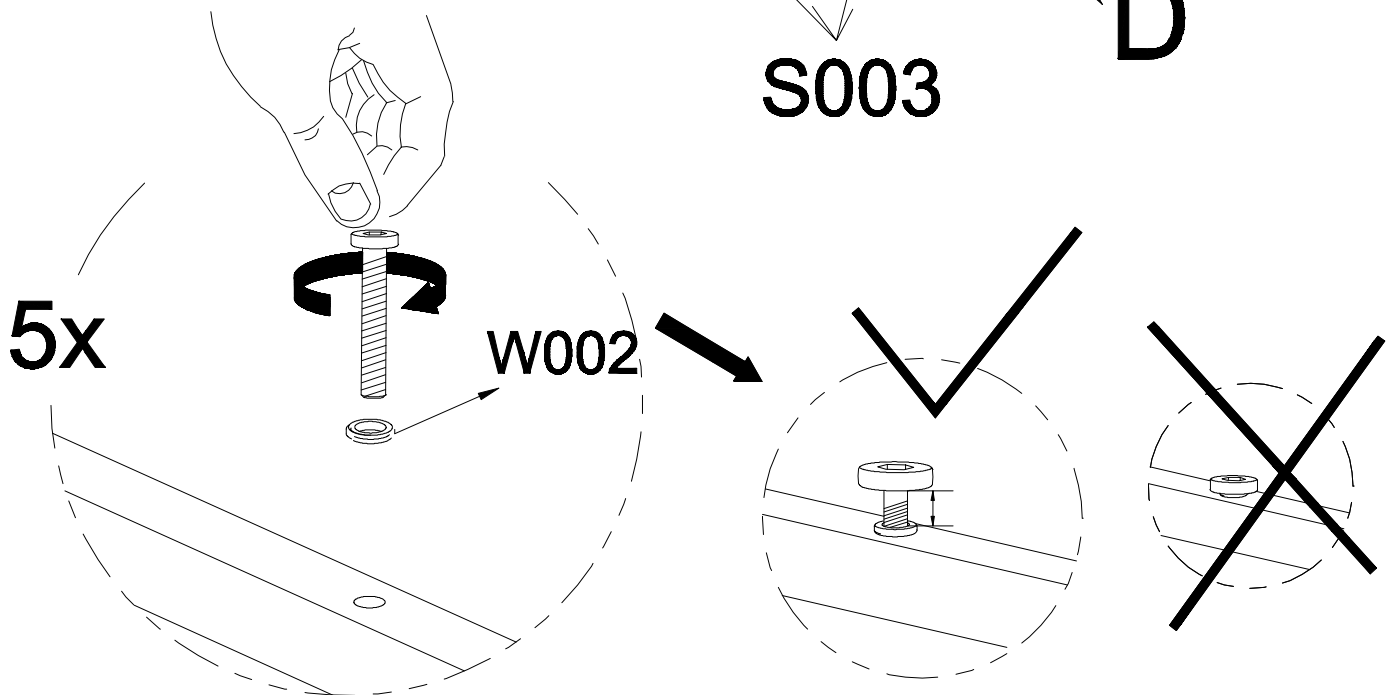
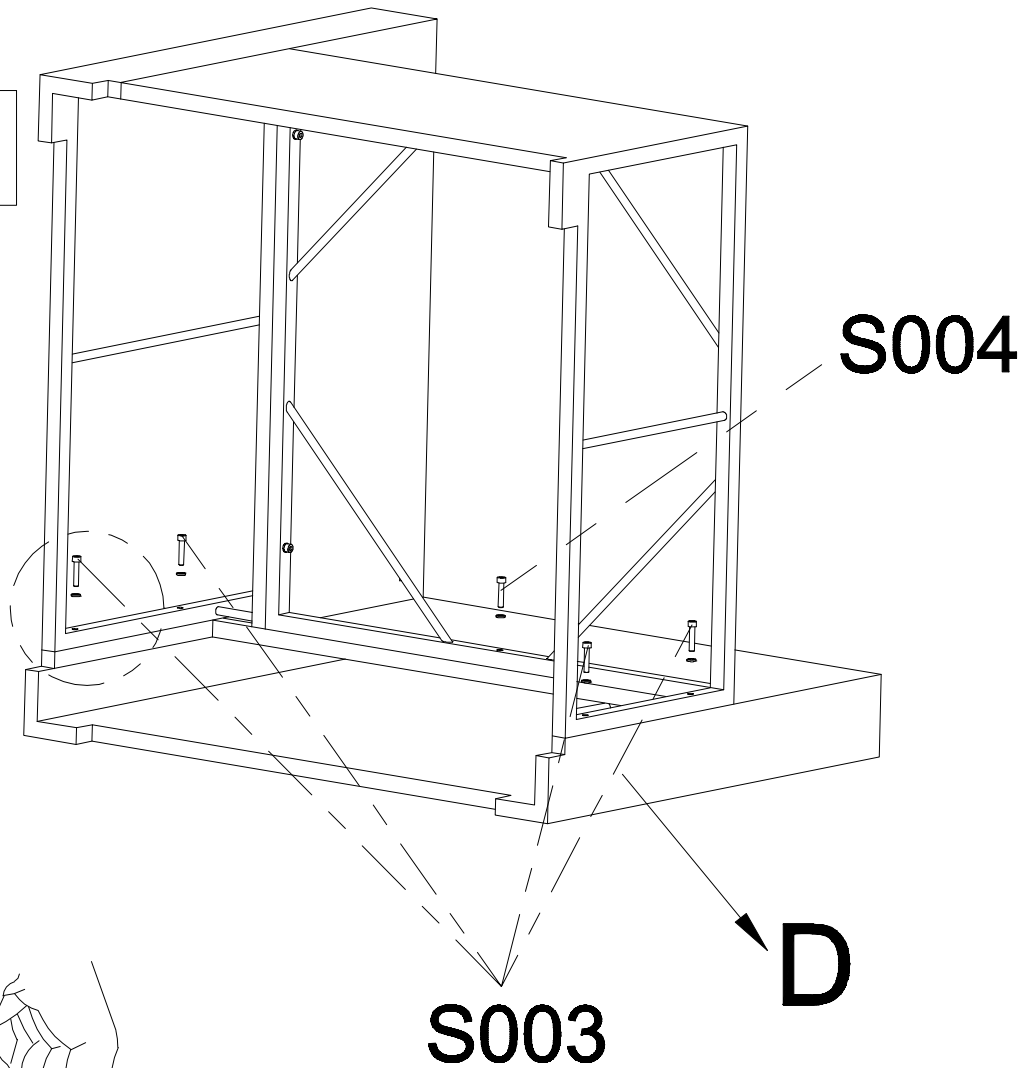
## STEP 2



**Do Not Tighten The Screws Completely!**

# Left Corner Seat

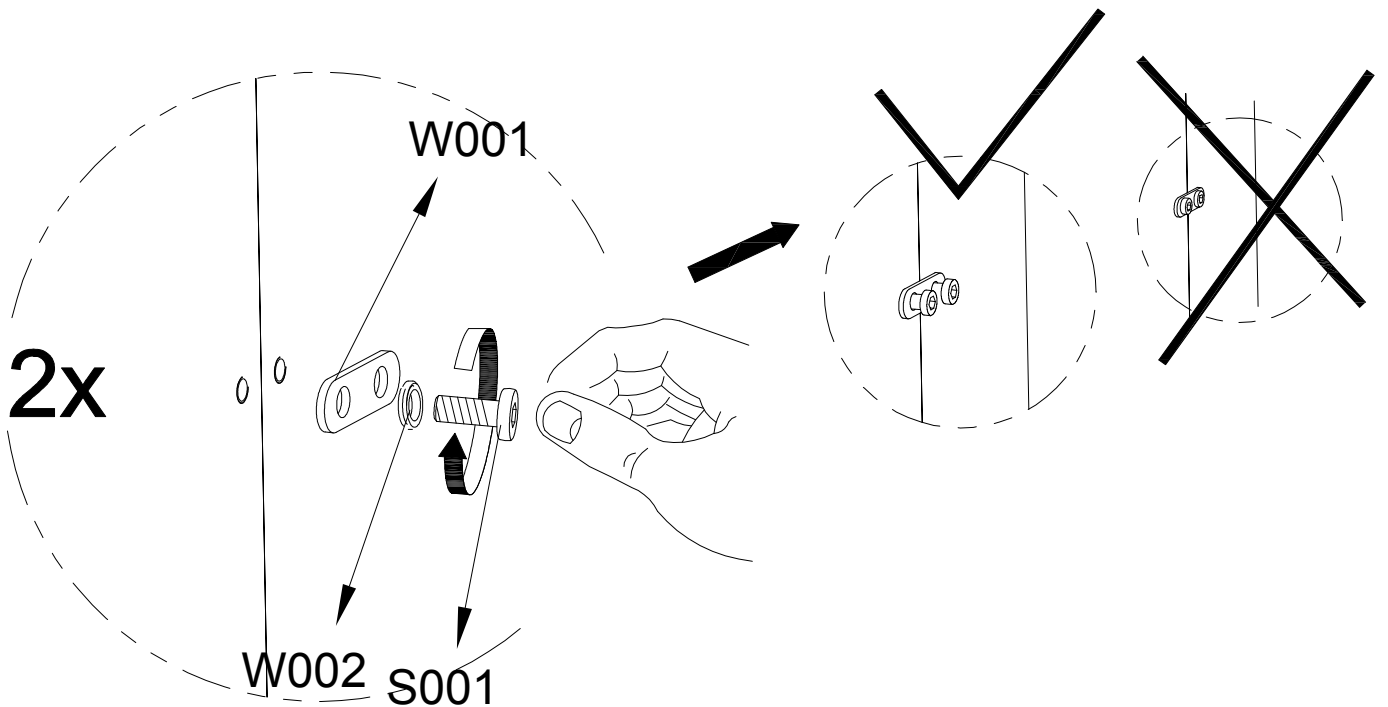
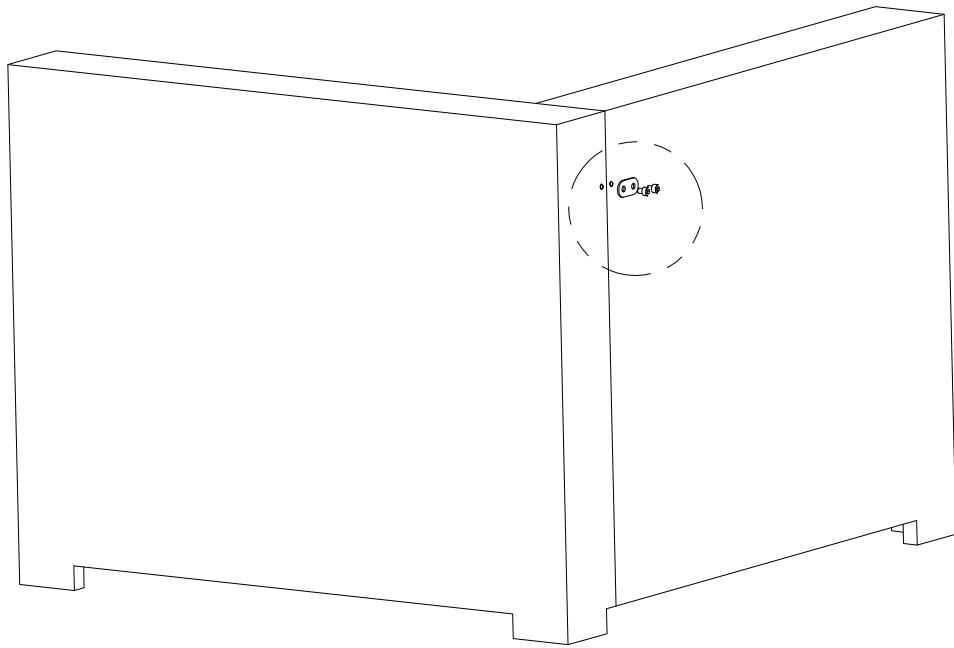
**STEP 3**



**Do Not Tighten The Screws Completely!**

# Left Corner Seat

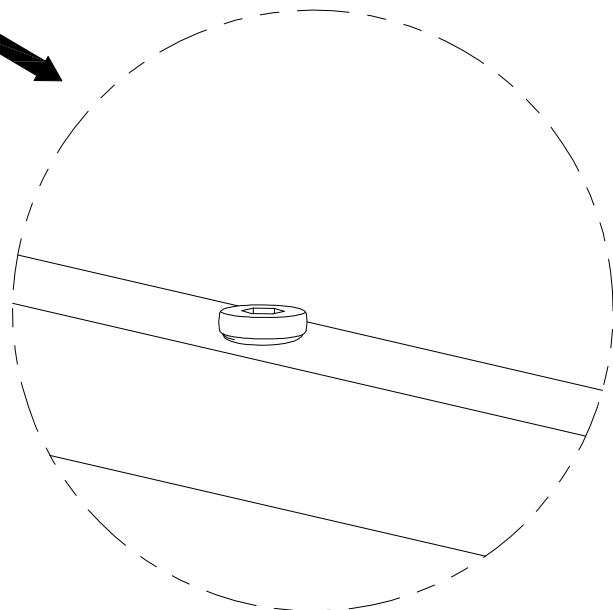
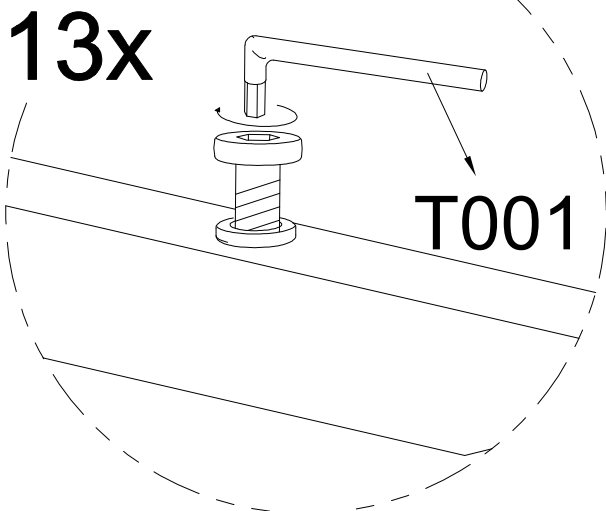
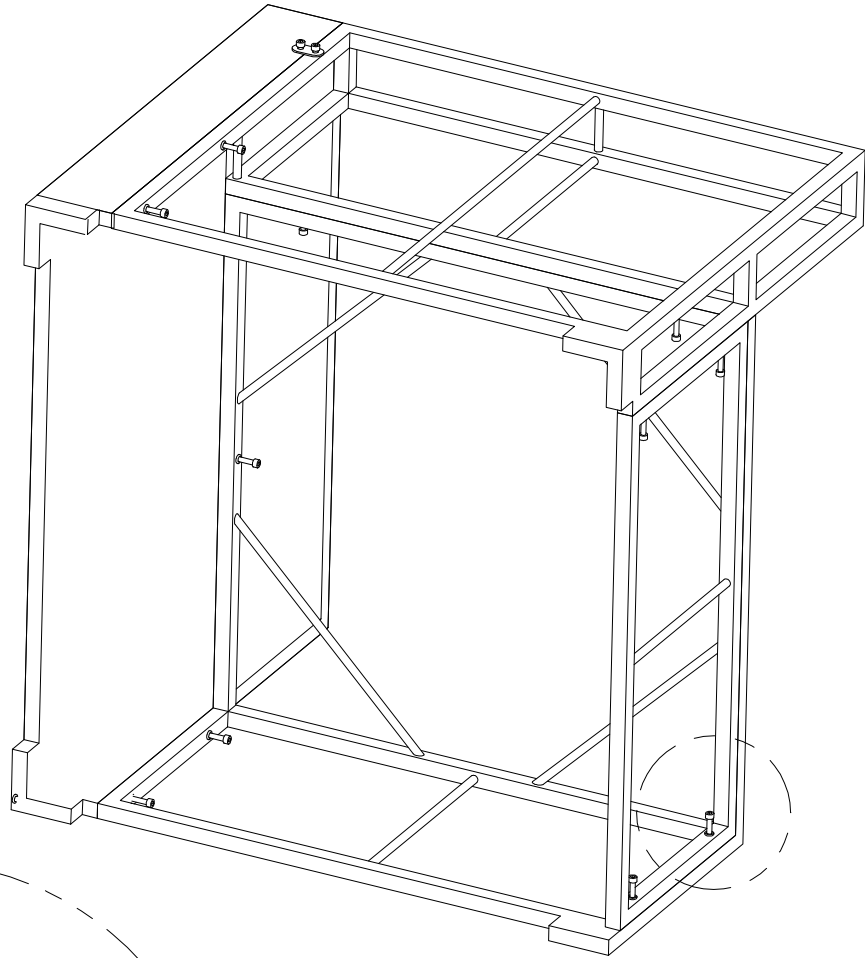
## STEP 4



**Do Not Tighten The Screws Completely!**

# Left Corner Seat

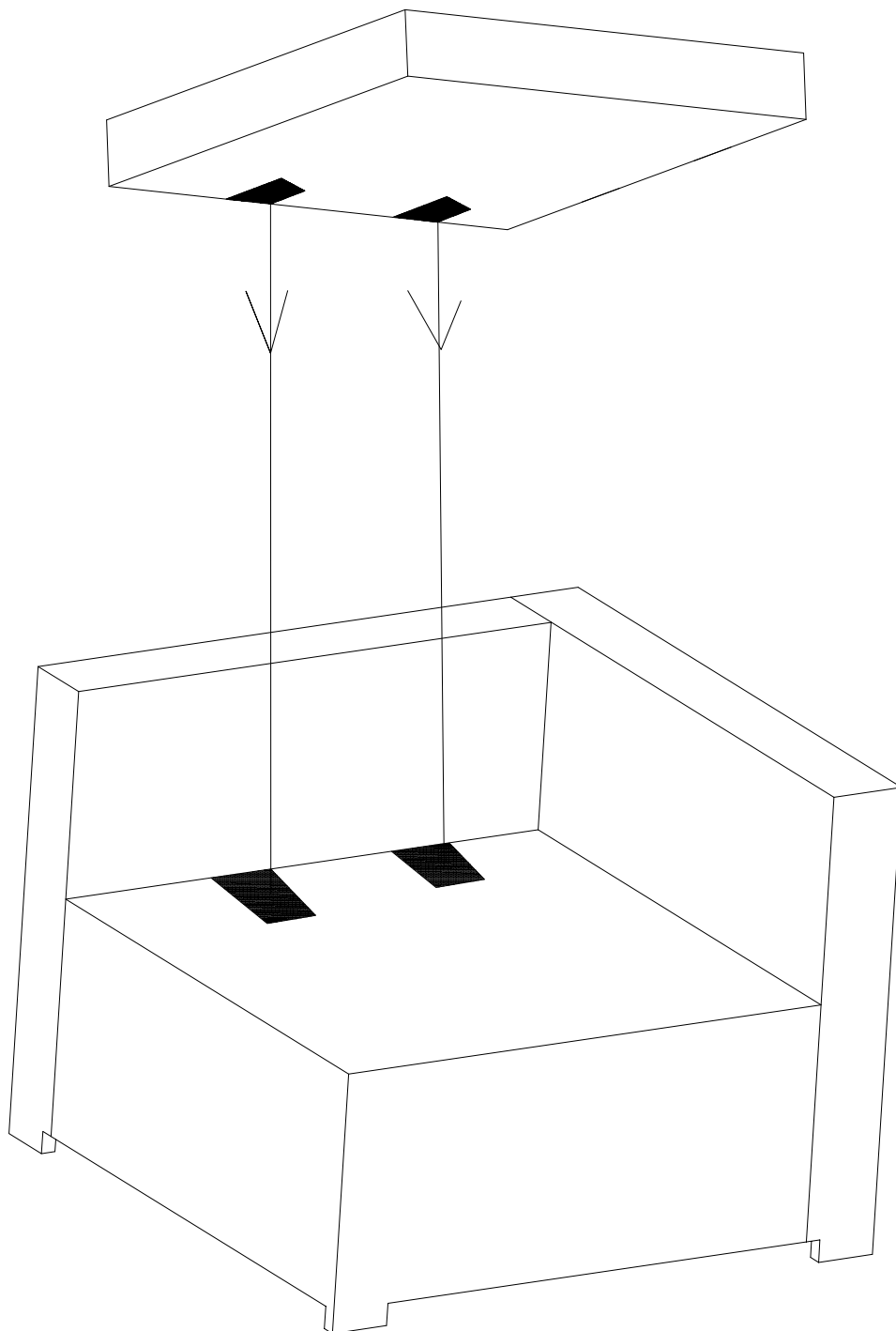
**STEP 5**



**Tighten The Screws Completely Now!**

# Left Corner Seat

**STEP 6**



## Right & Left Corner Seat



You might need plastic clips to connect each sofa after all assembling.

