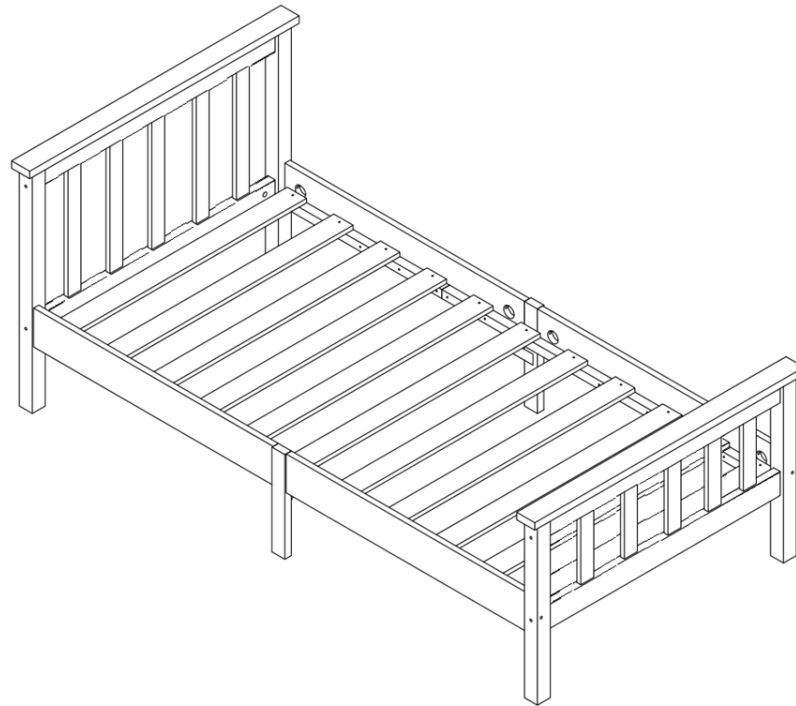









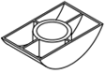


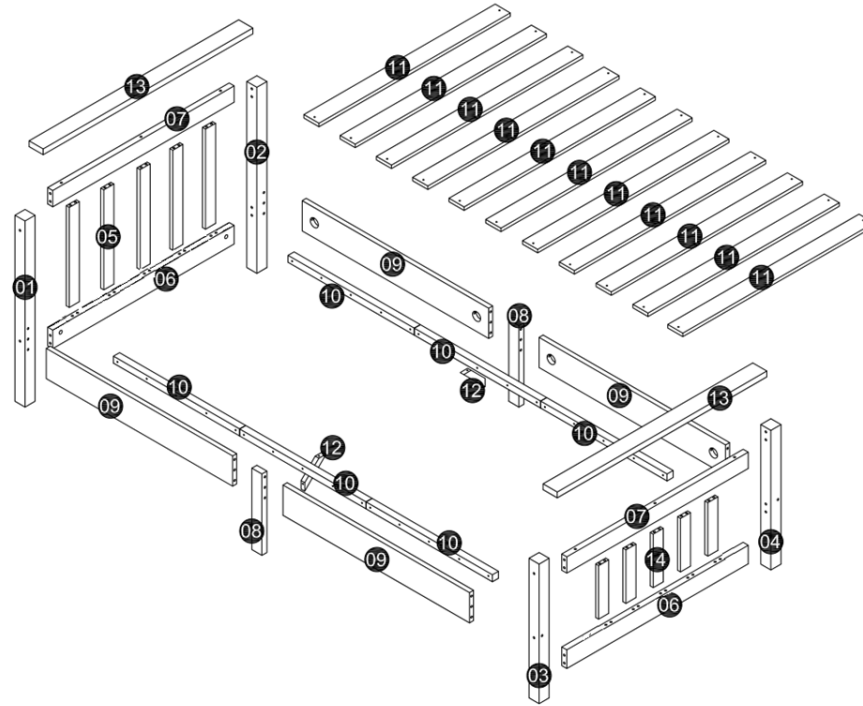


# Life Carver Single Bed



<p>A x 64</p> 	<p>B x56</p> 	<p>C x4</p>  <p>M6 x90</p>	<p>D x 10</p>  <p>M6 x70</p>	<p>E x4</p>  <p>M6 x90</p>
<p>F x4</p> 	<p>G x1</p> 	<p>H x2</p> 	<p>I x8</p> 	<p>J x8</p> 
<p>K x1</p> 	<p>L x8</p> 			

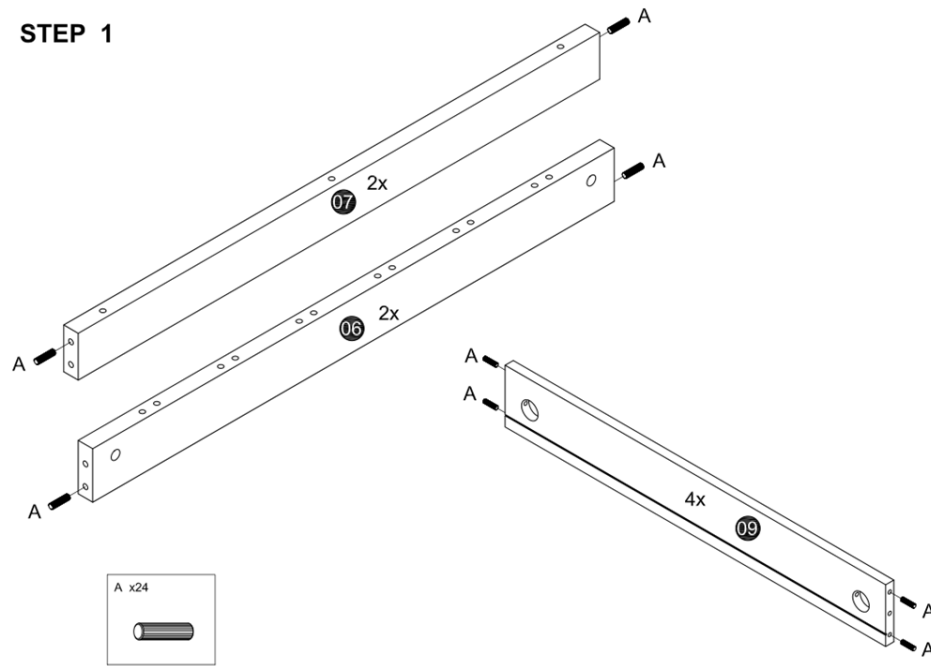
# PARTS LIST



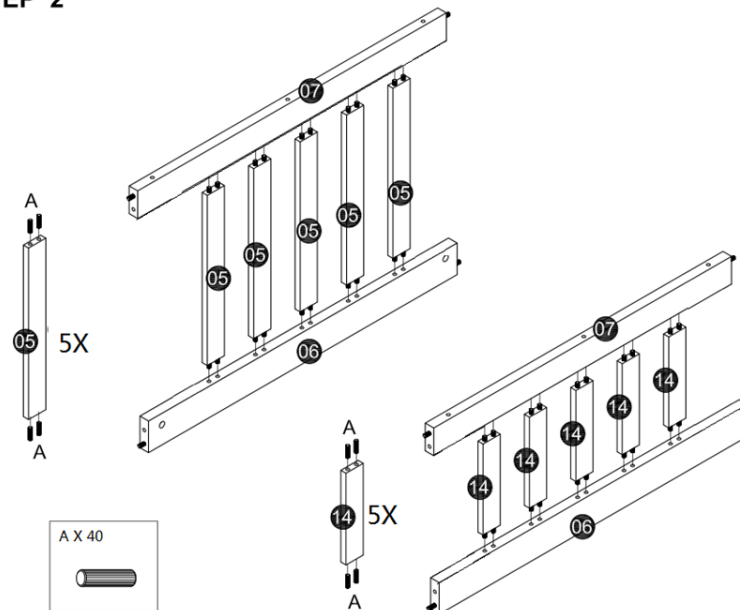
NO.	QTY	DESCRIPTION
01	1	Bed leg
02	1	Bed leg
03	1	Bed leg
04	1	Bed leg
05	5	Head support
06	2	Lower cross-brace
07	2	Upper cross-brace
08	2	Side Leg

NO.	QTY	DESCRIPTION
09	4	Bed side
10	6	Bedside support
11	11	Bed slat
12	2	Side support
13	2	Head board
14	5	Tail support

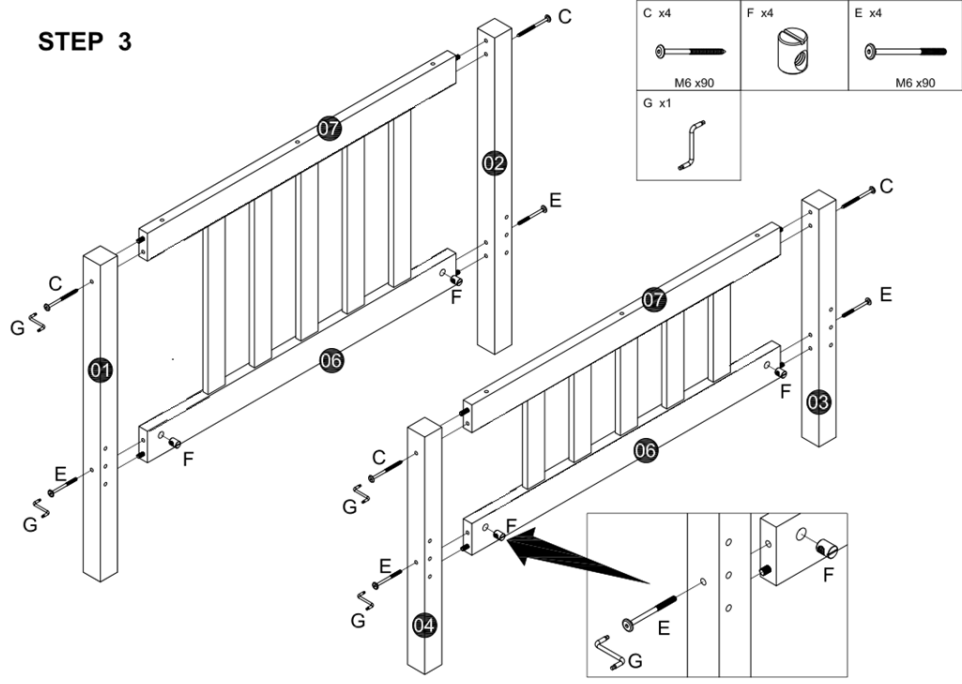
### STEP 1



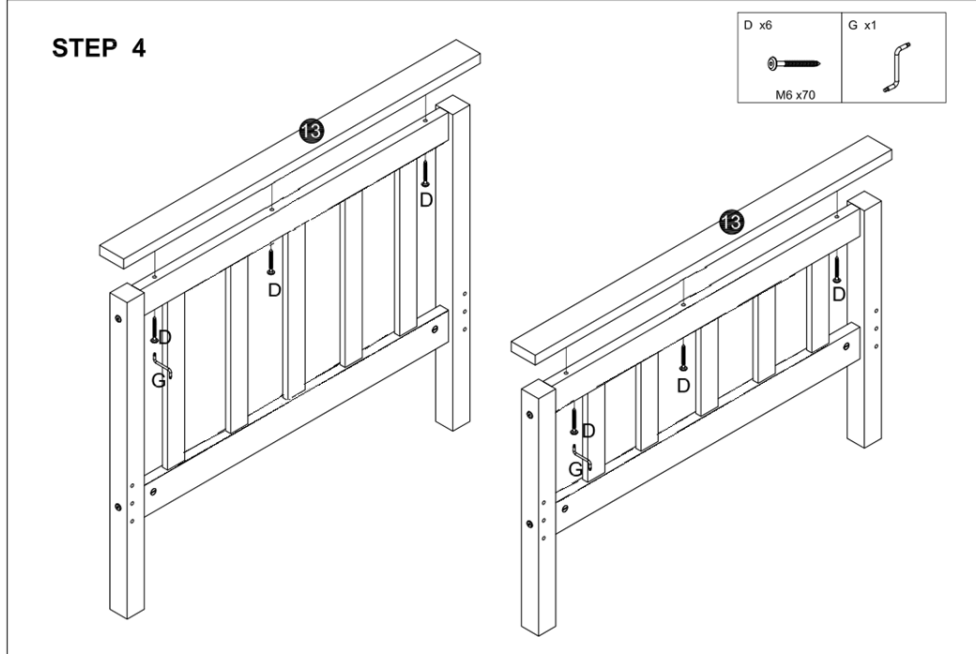
### STEP 2



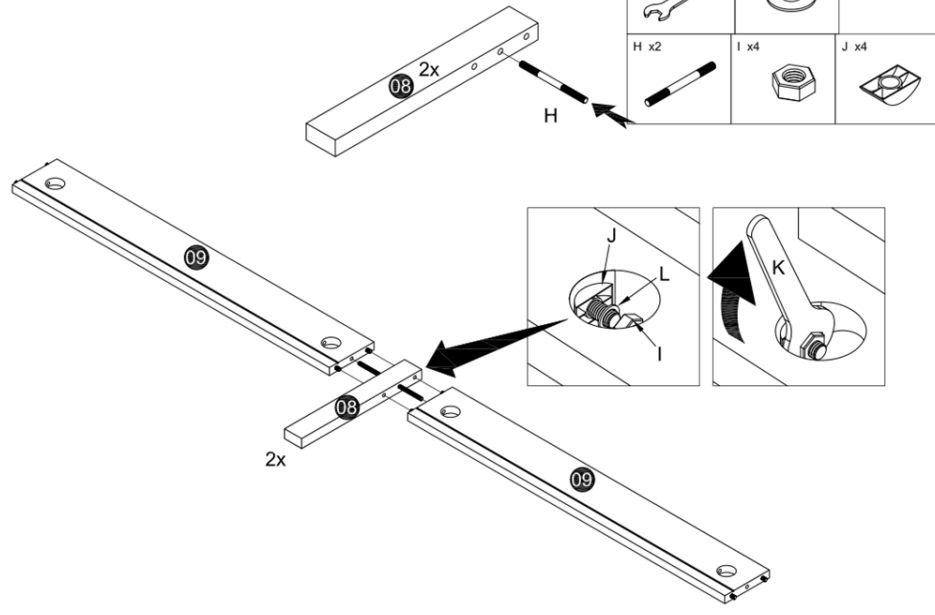
### STEP 3



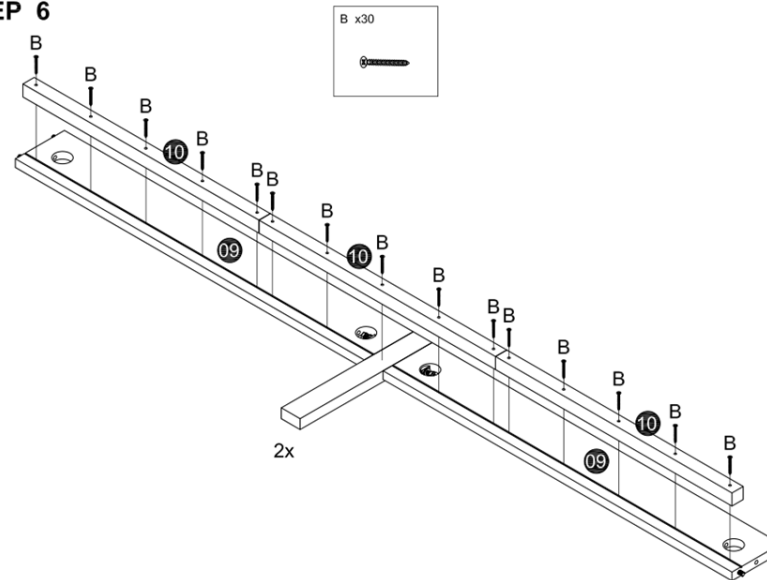
### STEP 4



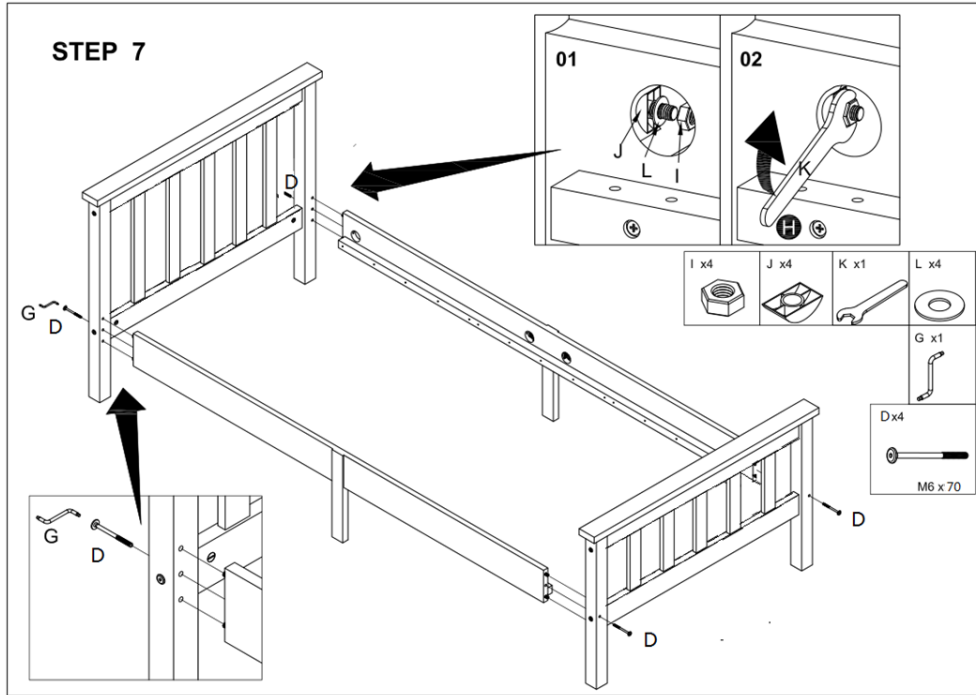
### STEP 5



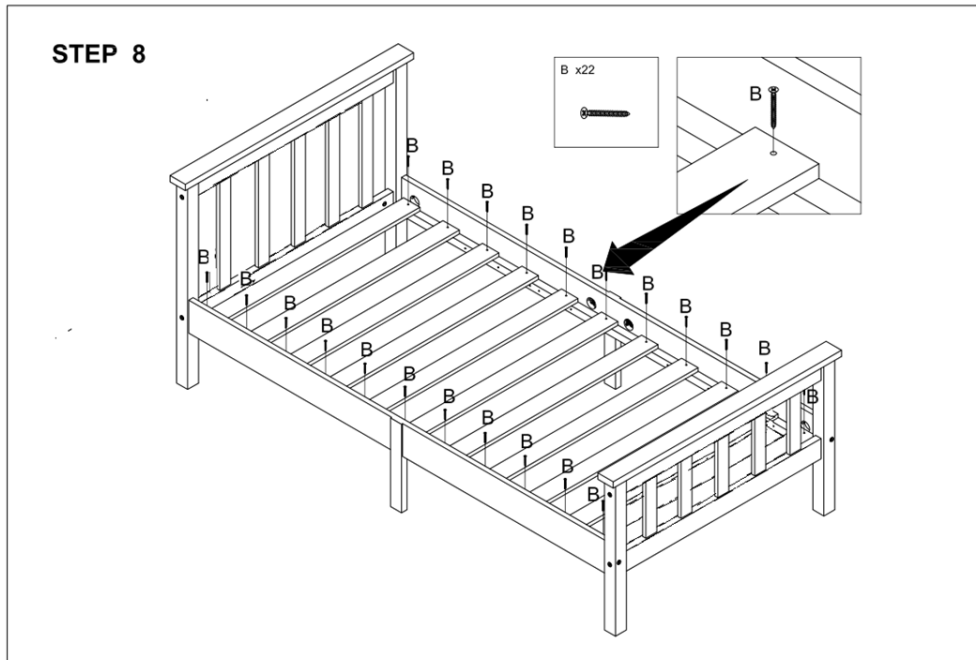
### STEP 6



### STEP 7



### STEP 8



STEP 9

