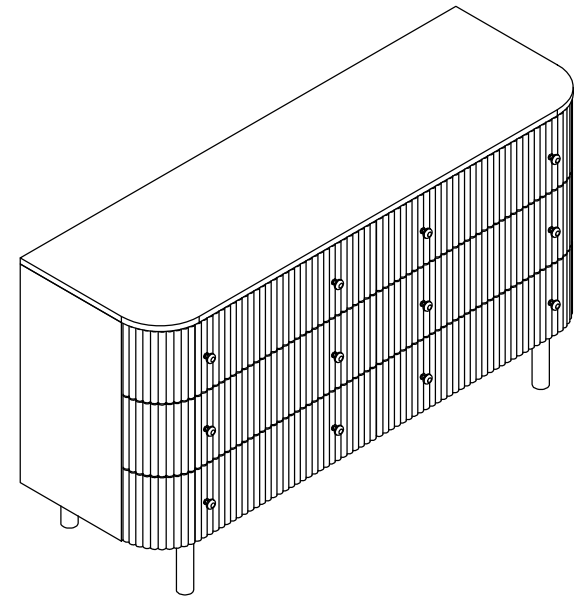


# SHELBIE 6 DRAWER REEDED DRESSER

DESIGN# SFV2207

Assembly Instructions



Need help?

Feel free to contact us via email or call  
if you have any specific questions!

**contact us:**

[cs@safavieh.com](mailto:cs@safavieh.com)

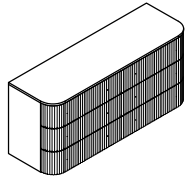
866-422-9070

**SAFAVIEH**  
C O U T U R E

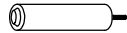
# Thanks for bringing Safavieh Couture into your home

Everything we make is incredibly simple to set up, including your new dresser. You won't need any additional tools.

Parts List  
A x 1  
Dresser



B x 5  
Leg

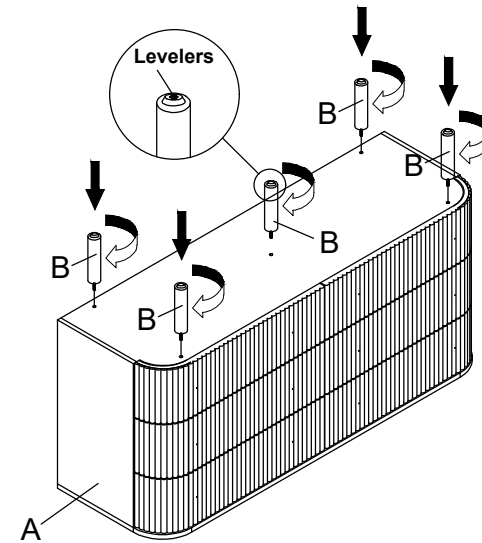


Hardware List  
HW1 x 2  
Anti-Tip Hardware



1

Place the Dresser (A) upside down on a soft surface. Screw in the five Legs (B) clockwise into the screw holes until they are secure.



2

Turn the dresser upright. Place the dresser in the place where you will use it. Use the levelers on the bottom of the legs to adjust the dresser as needed. Follow the installation instructions of the Anti-Tip Hardware (HW1) to attach the product to the wall. We'd love to see it - just tag us (we're @safavieh) and use the hashtag #safavieh on Instagram!

