

BLANCO ETAGON 500-U

Item No. BL468099

Pros



Taking functionality to another level

- Generous staggered bowl with the functionality of a sink centre
- Integrated step creates an additional functions level
- Innovative system concept with versatile ETAGON rails
- High-quality features with the covered C-overflow™ and InFino™ drain system – elegantly integrated and extremely hygienic
- Available in three different installation versions: for undermount installation, IF flat rim for installation from above, IF/A-version with integrated tap ledge

Surfaces

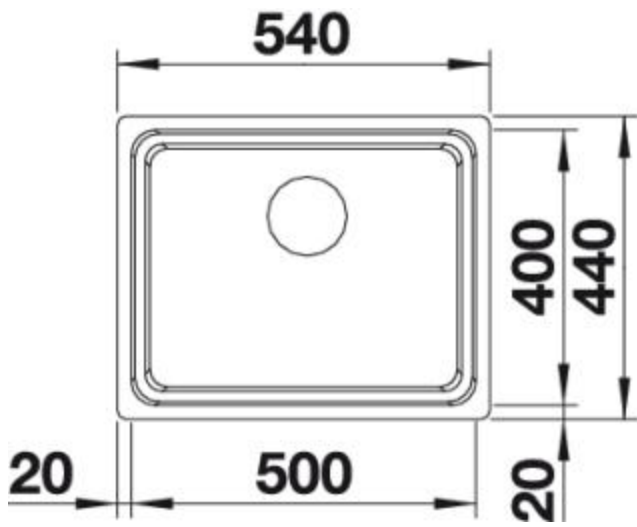


Stainless steel
18/10

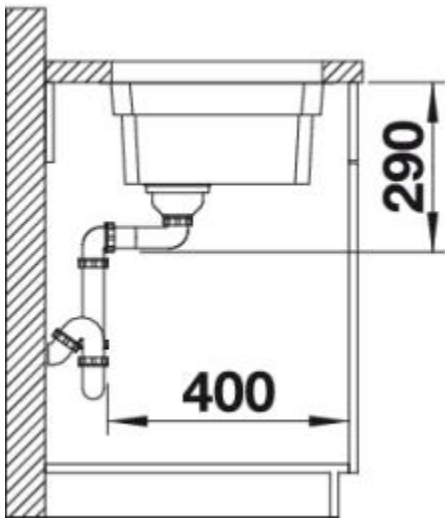
Stainless steel 18/10

Item No. BL468099

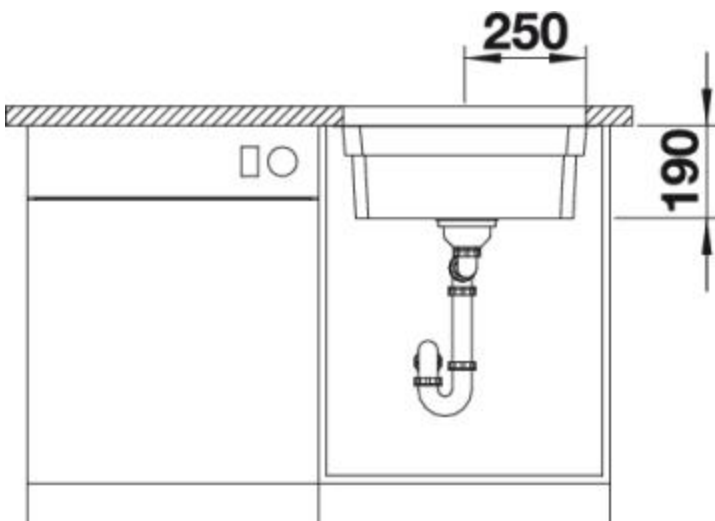
Details



Top View



Side View



Front View

Scope of supply

two ETAGON rails in stainless steel, waste fitting with space-saving pipe, 3 1/2" InFino™ basket strainer

Design tips

Cabinet Width: 60 cm

Bowl depth: 190 mm

Taps



BLANCO PANERA-S
brushed steel
BM3142SS



BLANCO CULINA-S Mini
chrome
BM4600CH



BLANCO CARENA-S Vario
chrome
BM3118CH

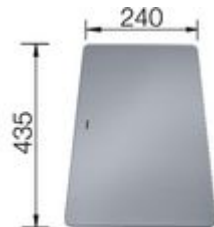


BLANCO SELECT 60/3
BL467730

Optional Accessories



Chopping board
BL230700



Cutting board
BL227697



Colander
BL468096

BLANCO UK Limited

Tel: 01923 635200

Fax: 0800 0911608

➤ www.blanco.co.uk