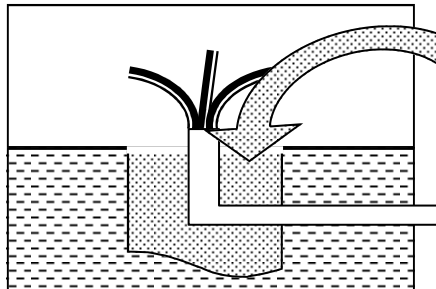
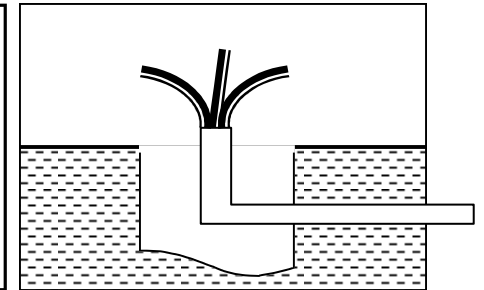


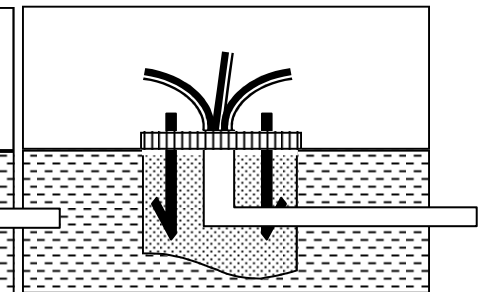
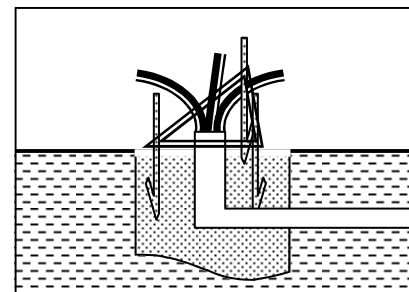
**WHEN PREPARING THE FOUNDATION YOU NEED TO DIG A HOLE ABOUT 12" WIDE BY 15" DEEP. AVOID LOCATING THE POLE TOO CLOSE TO HOUSE TO HELP SPREAD LIGHT MORE EVENLY. DO NOT LOCATE POLES WITHIN 10' FROM THE INSIDE WALL OF A SWIMMING POOL.**

**RUN UNDERGROUND WIRE (INSIDE CONDUIT REQUIRED) TO POWER SOURCE. ALWAYS RUN WIRE THROUGH CONDUIT IN AREAS SUCH AS FLOWER BEDS, GARDENS, ETC., WHERE FUTURE DIGGING COULD CUT WIRE CAUSING A FATAL ELECTRICAL SHOCK. NOTE: CONSULT YOUR LOCAL ELECTRICAL CODE FOR WHAT IS THE REQUIRED WIRING TYPE**

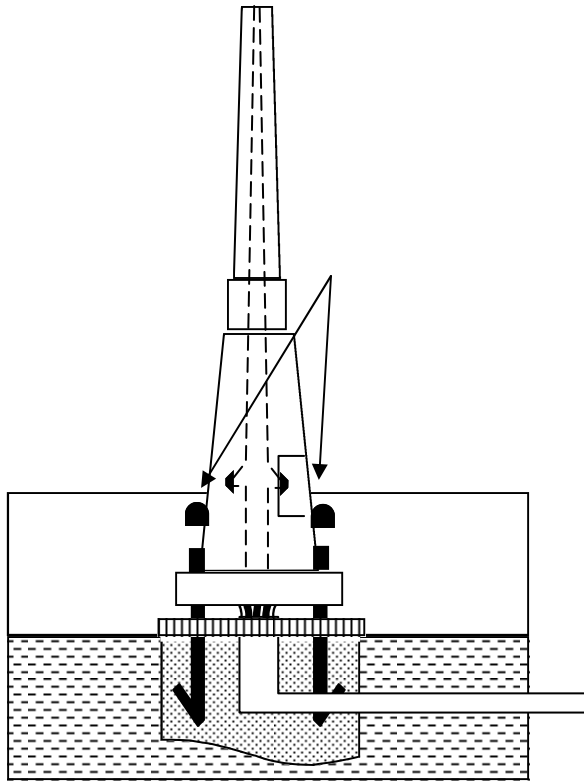


**ONCE YOUR WIRING IS COMPLETE, YOU ARE READY TO POUR THE CONCRETE. NORMALLY IT TAKES ABOUT A 50 LB. BAG OF READY-MIX. CHECK WITH YOUR LOCAL HARDWARE TO DETERMINE WHAT IS THE BEST CEMENT FOR YOUR GROUND.**

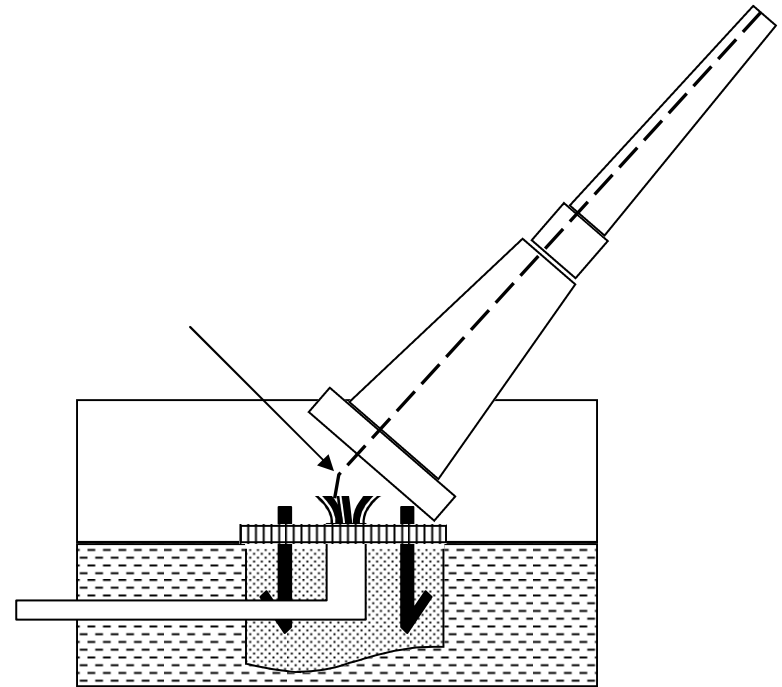
**AFTER YOU FINISH POURING THE CEMENT YOU CAN BEGIN SETTING YOUR ANCHOR BOLTS. INSERT BOLTS INTO TEMPLATE LEAVING ENOUGH THREAD TO SECURE BASE WITH CAP NUTS. MAKE SURE TEMPLATE IS LEVEL WITH THE SURFACE. CONSULT THE DIRECTIONS ON THE CEMENT BAG FOR THE AMOUNT OF TIME NEEDED FOR IT HARDEN.**



## **POLE LAMP FOUNDATION INSTRUCTIONS**



**ONCE THE CEMENT HAS HARDENED PLACE YOUR PRE-ASSEMBLED POLE OVER BOLTS AND SECURE WITH THE DECORATIVE CAP NUTS.REMOVE THE ACCESS PANEL AND MAKE YOUR NECESSARY CONNECTIONS.MAKE SURE YOU CONNECT THE GROUND WIRE TO AVOID ANY ELECTRIC SHOCK.**



**NOTE: SOME POLES DO NOT HAVE AN ACCESS PANEL.FOR THIS YOU NEED TO TILT THE POLE SIDE WAYS, JUST ENOUGH TO MAKE YOUR CONNECTIONS. THEN, PROCEED TO SECURING BASE TO GROUND.**

## **POLE LAMP FOUNDATION INSTRUCTIONS**