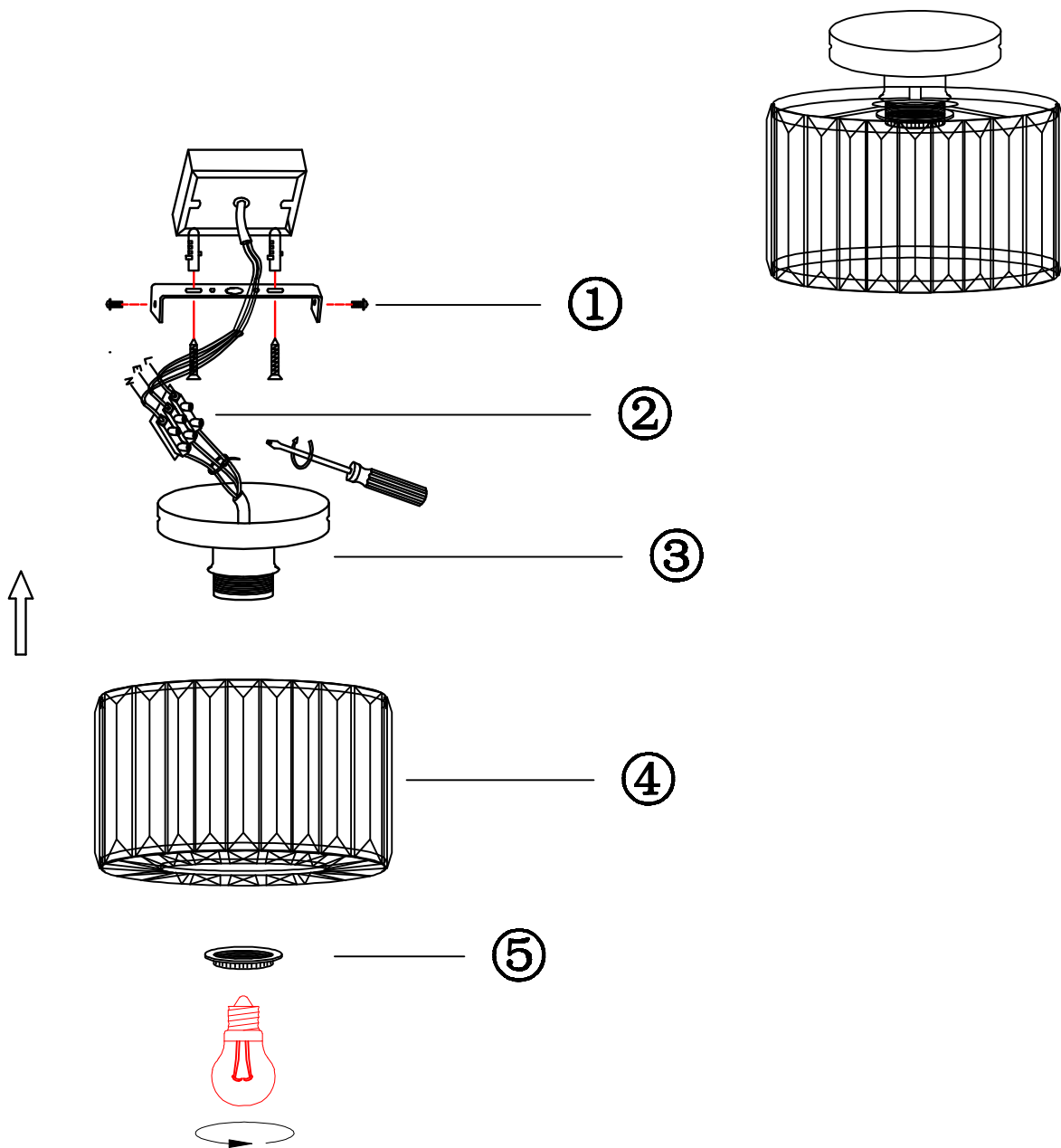


Luminaires are installed in sequence



When installing the lamp, please cut off the power supply in the room firstly.

It is strictly forbidden to wipe the surface of the lamp with a chemical solvent such as

Bananoil. It is recommended to wipe it with a clean cotton cloth.

Rated Voltage: US/CA : 110V

EU/UK : 220-240V