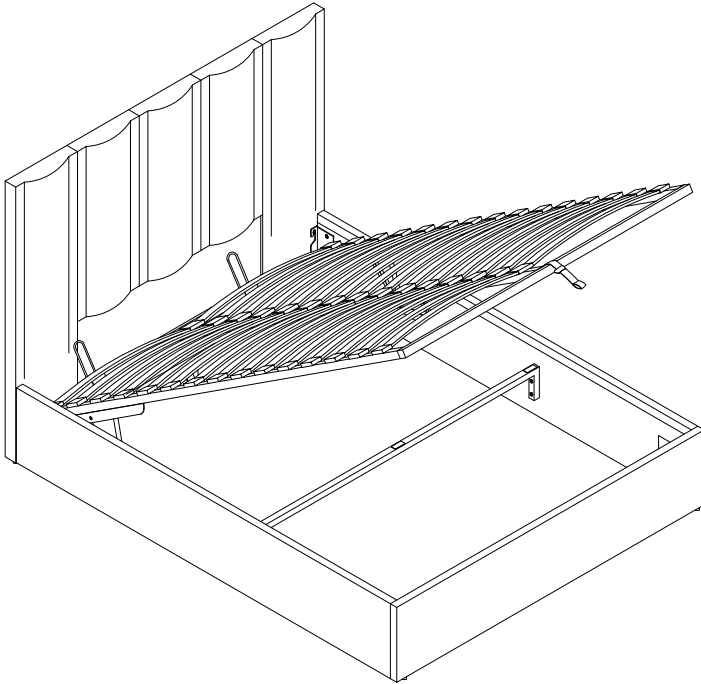


# ASSEMBLY INSTRUCTION



Please **TEAR OFF** this shrink film from side!  
**DO NOT USE CUTTER!**

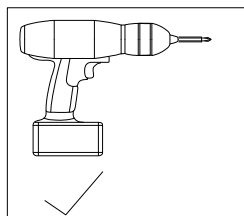
ITEM NUMBER: BH017

## IMPORTANT NOTE

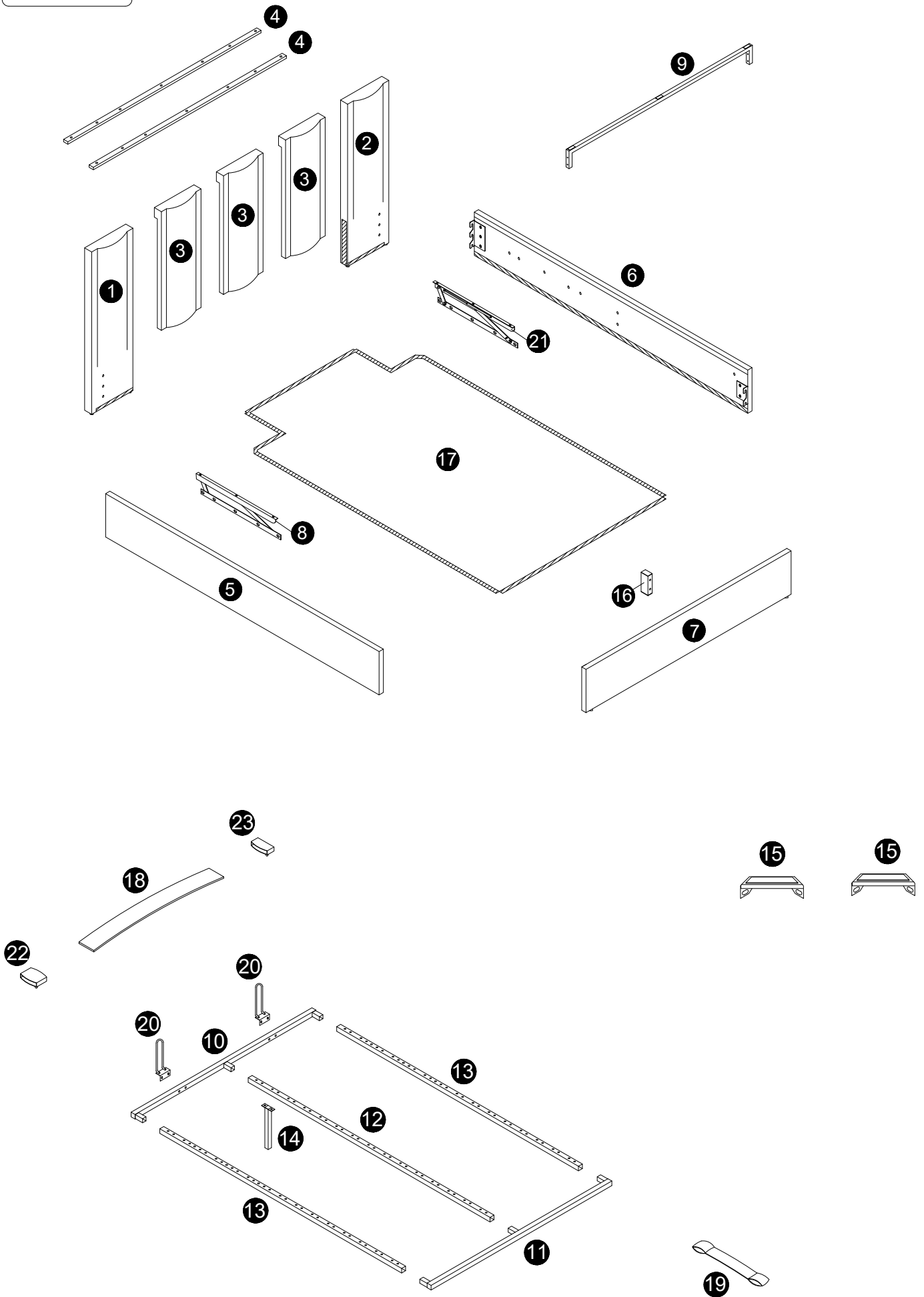
1. For the protection of your furniture, place all parts on a clean and smooth surface to prevent any damage.
2. Keep fittings out of children's reach and keep children well away from construction area.
3. When moving your assembled bed. it is best to lift the bed and never to drag it.
4. Do not use this product if parts are missing, damaged or worn.
5. This product should only be used on firm, level ground.
6. Please periodically check all fittings and re-tighten as necessary.
7. Do not use the bed unless all bolts and screws are firmly secured.
8. For further assistance, please provide a screenshot of your order and contact us via email at [support@velocavabed.com](mailto:support@velocavabed.com)



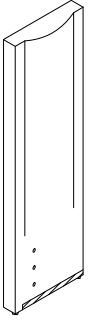
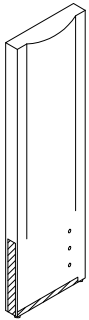
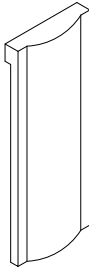
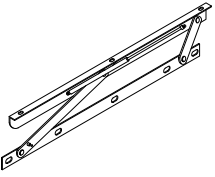
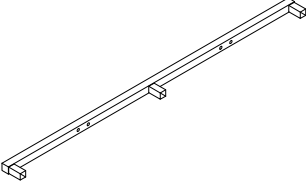
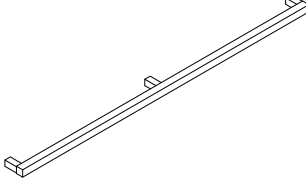
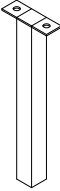
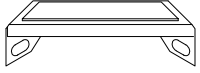

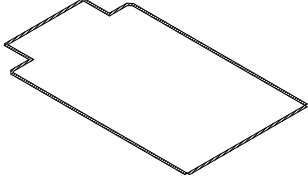
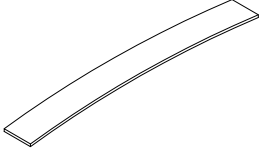
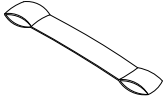

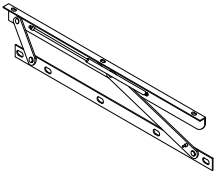
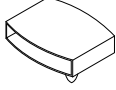
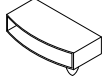
Minimum two  
person assembly



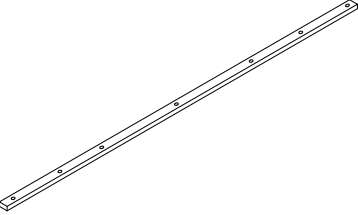
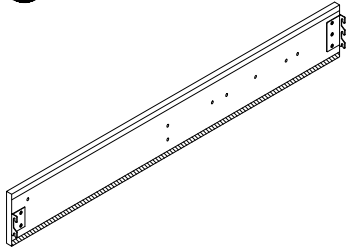
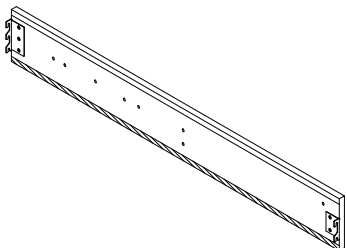
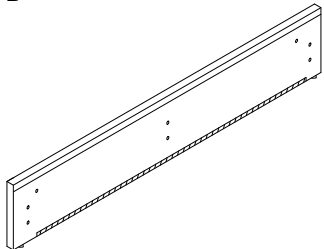
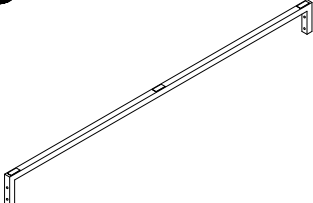
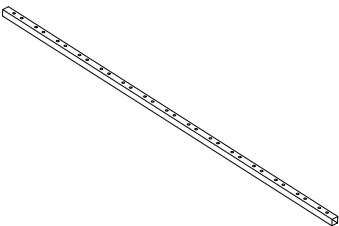
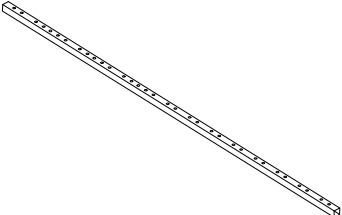
PART LIST



## Components of Carton A

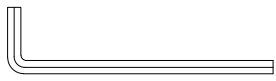
|   |  |  |   |
|---|--|--|---|
| <p><b>1</b> x 1pc</p>      | <p><b>2</b> x 1pc</p>     | <p><b>3</b> x 3pcs</p>                                       | <p><b>8</b> x 1pc</p>                                        |
| <p><b>10</b> x 1pc</p>      | <p><b>11</b> x 1pc</p>    | <p><b>14</b> x 1pc</p>                                       | <p><b>15</b> x 2pcs</p>                                      |
| <p><b>16</b> x 1pc</p>    | <p><b>17</b> x 1pc</p>   | <p><b>18</b> Full Size x 28pcs<br/>Queen Size x 30pcs</p>   | <p><b>19</b> x 1pc</p>                                      |
| <p><b>20</b> x 2pcs</p>  | <p><b>21</b> x 1pc</p>  | <p><b>22</b> Full Size x 14pcs<br/>Queen Size x 15pcs</p>  | <p><b>23</b> Full Size x 28pcs<br/>Queen Size x 30pcs</p>  |

## Components of Carton B

|   |  |  |   |
|---|--|--|---|
| <p><b>4</b> x 2pcs</p>  | <p><b>5</b> x 1pc</p>   | <p><b>6</b> x 1pc</p>    | <p><b>7</b> x 1pc</p>  |
| <p><b>9</b> x 1pc</p>   | <p><b>12</b> x 1pc</p>  | <p><b>13</b> x 2pcs</p>  |   |

Please ensure to thoroughly inspect the small inner cardboard box containing the hardware, which are tied with a red string, before disposing of the box.

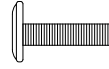
HARDWARE LIST



H1 M5 x 1pc



H2 M8x25mm x 36pcs



H3 M8x35mm x 20pcs



H4 M8x60mm x 2pcs



H5 M8 x 20pcs



H6 M8x22mm x 20pcs



H7 M8 x 6pcs

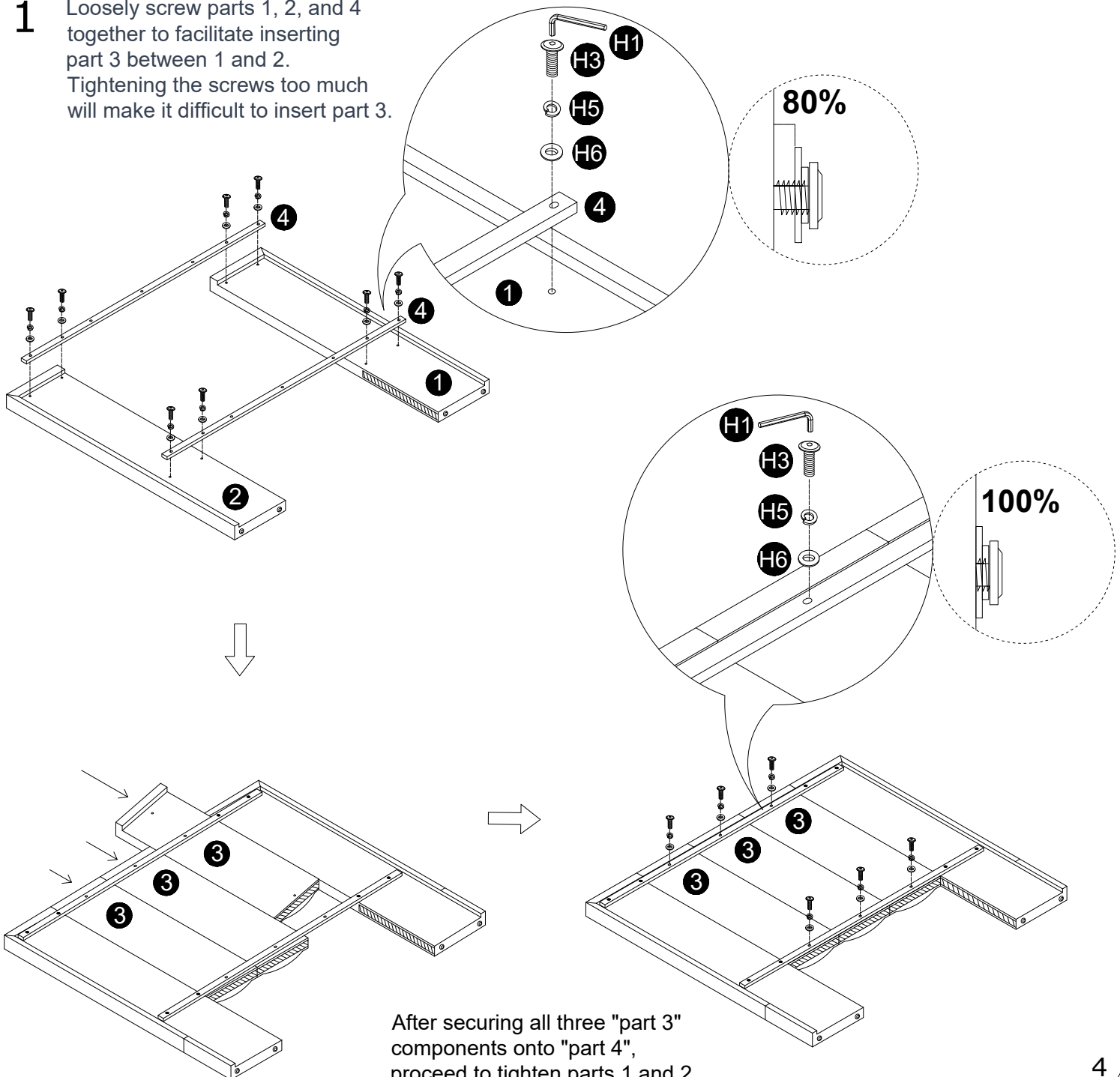


H8 M14 x 1pc

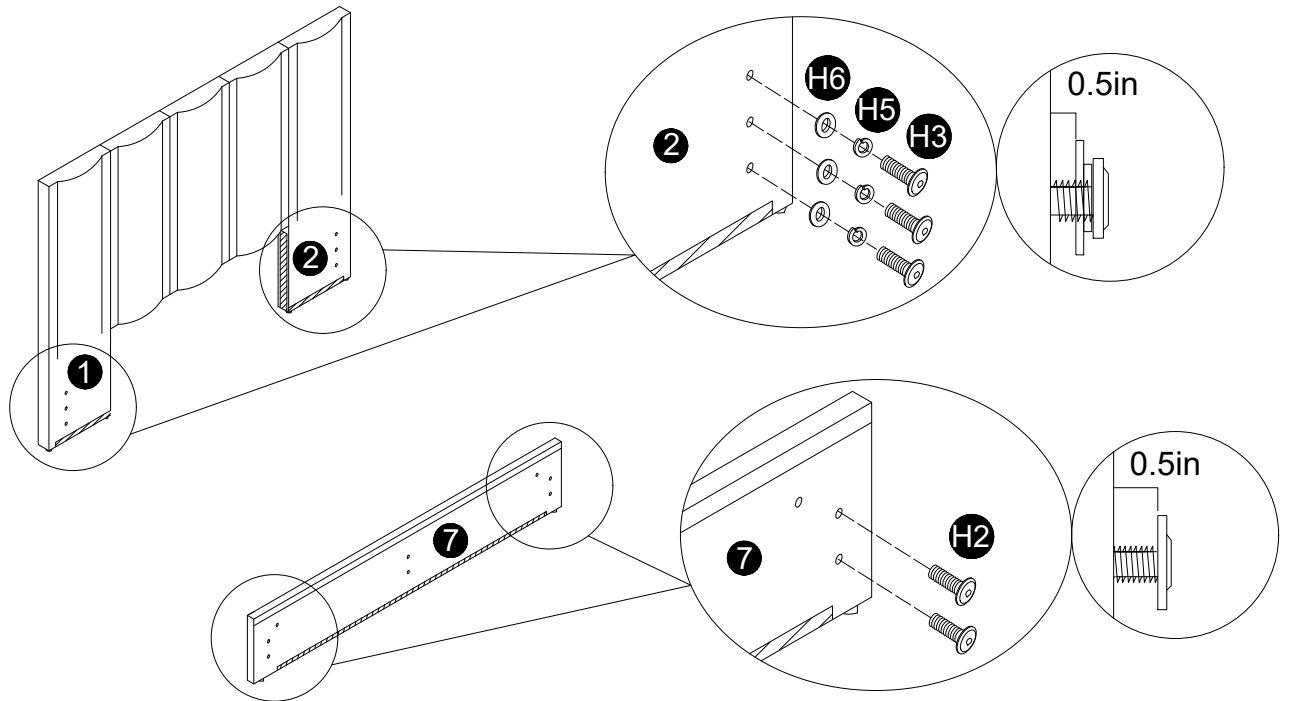


H9 M8x50mm x 10pcs

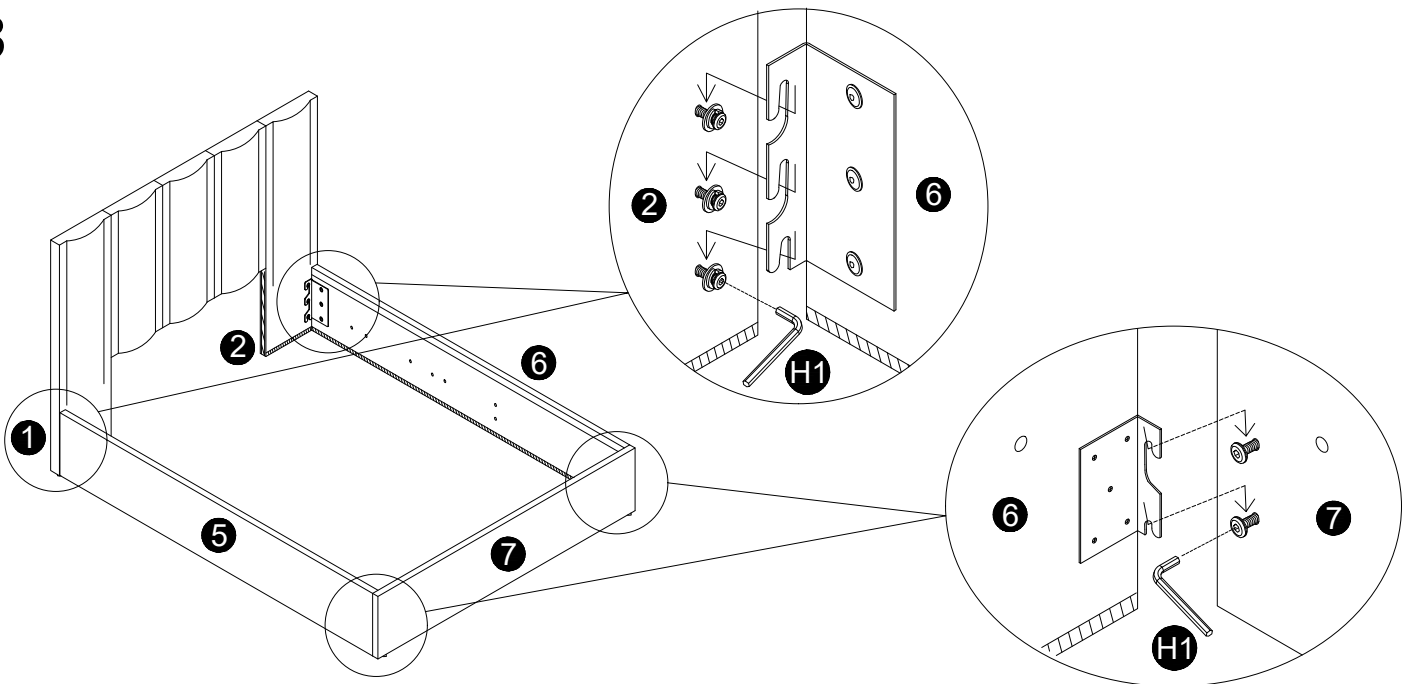
**1** Loosely screw parts 1, 2, and 4 together to facilitate inserting part 3 between 1 and 2. Tightening the screws too much will make it difficult to insert part 3.



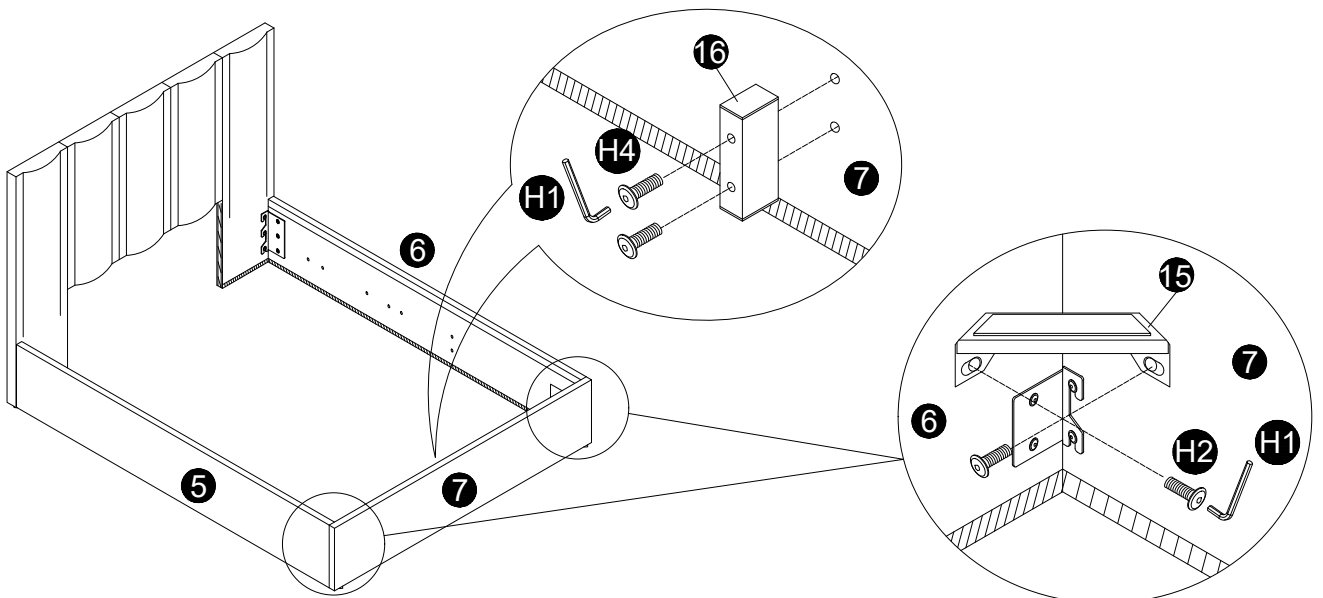
2



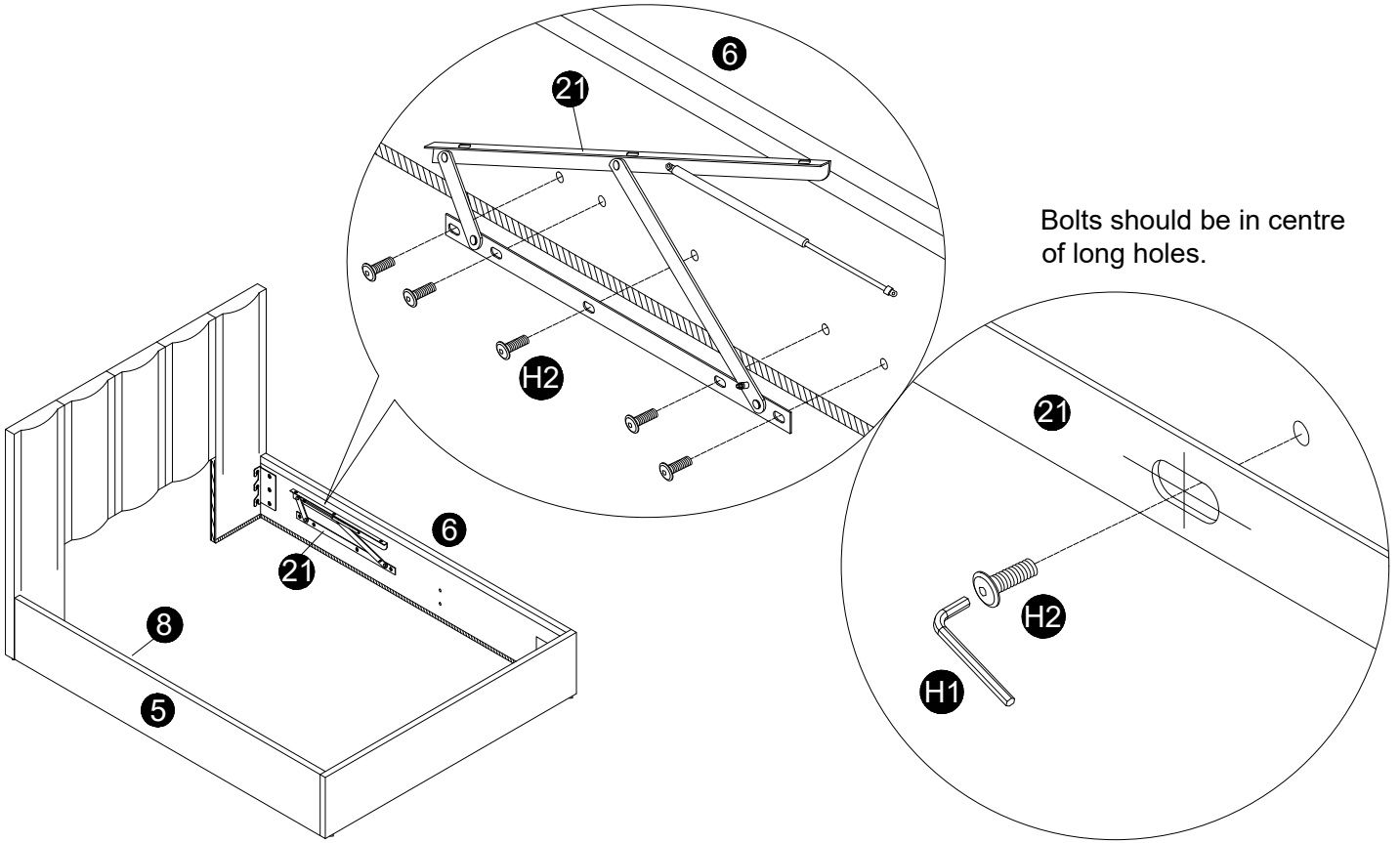
3



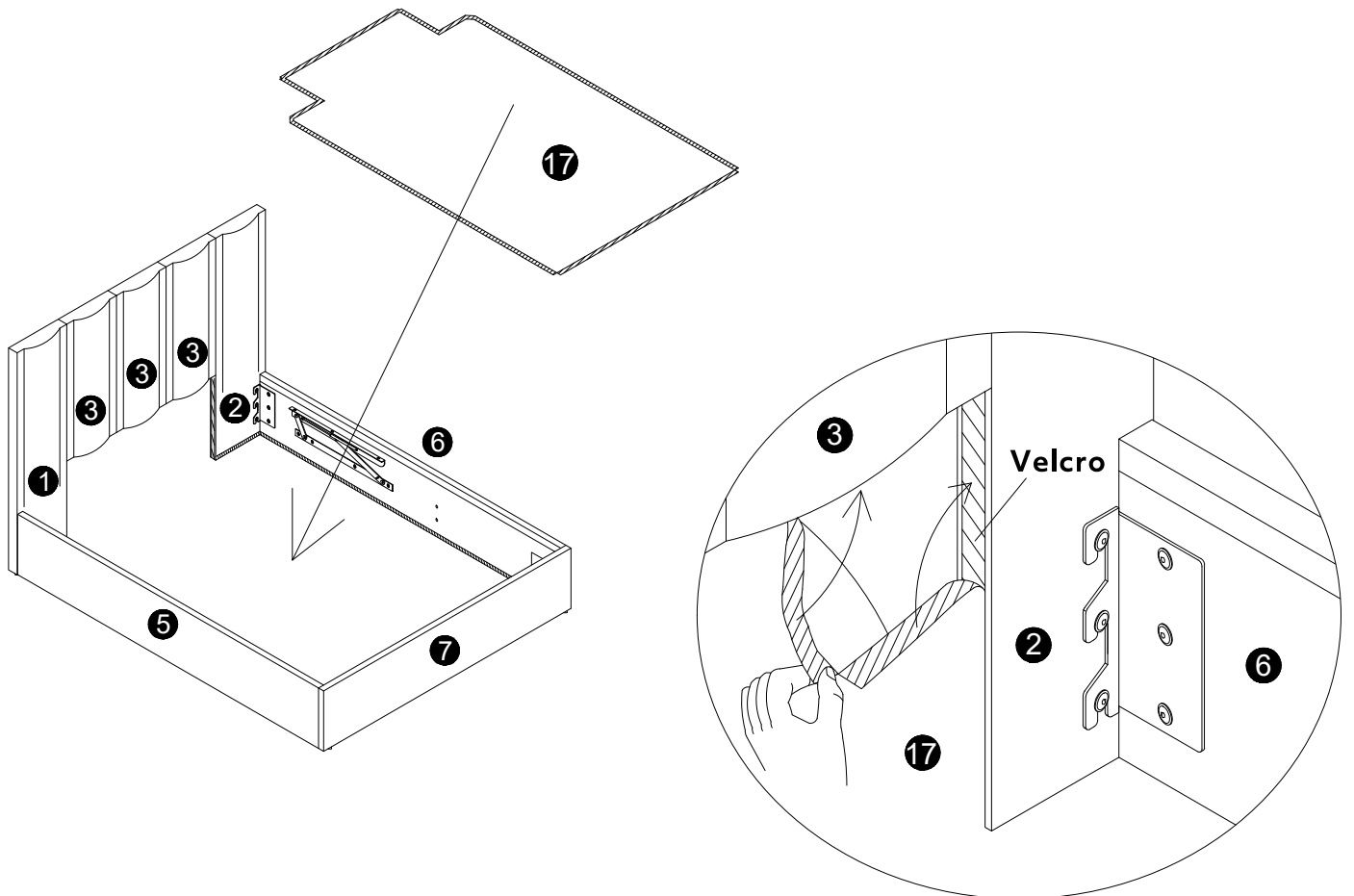
4



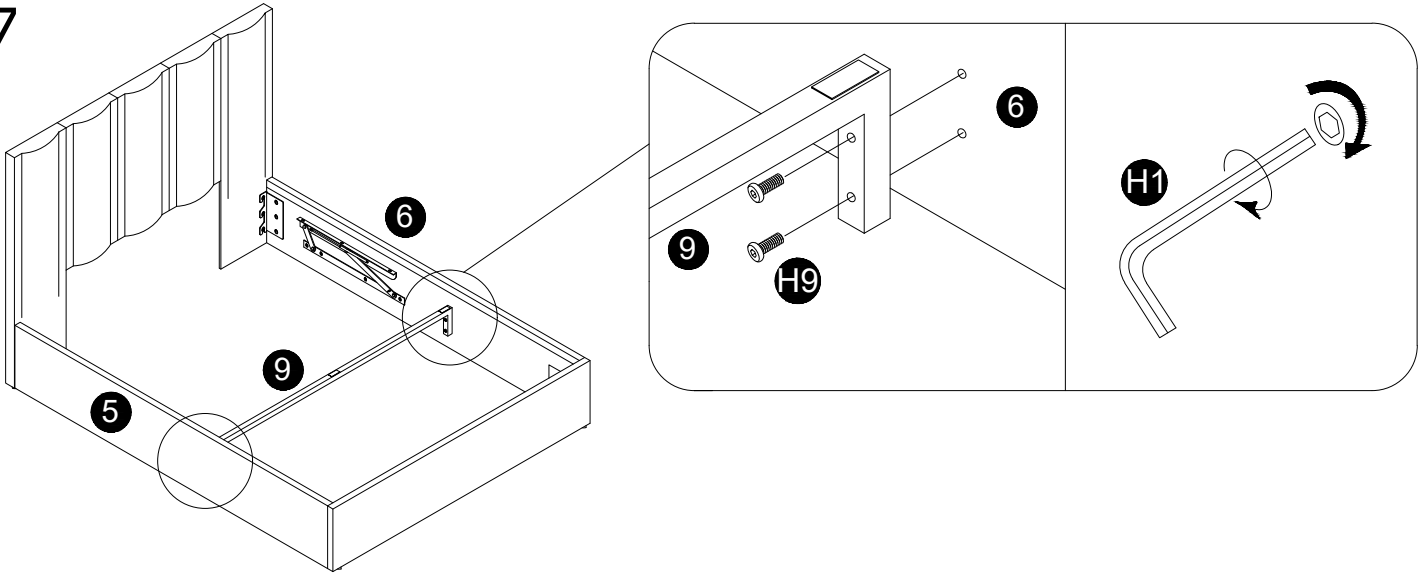
5



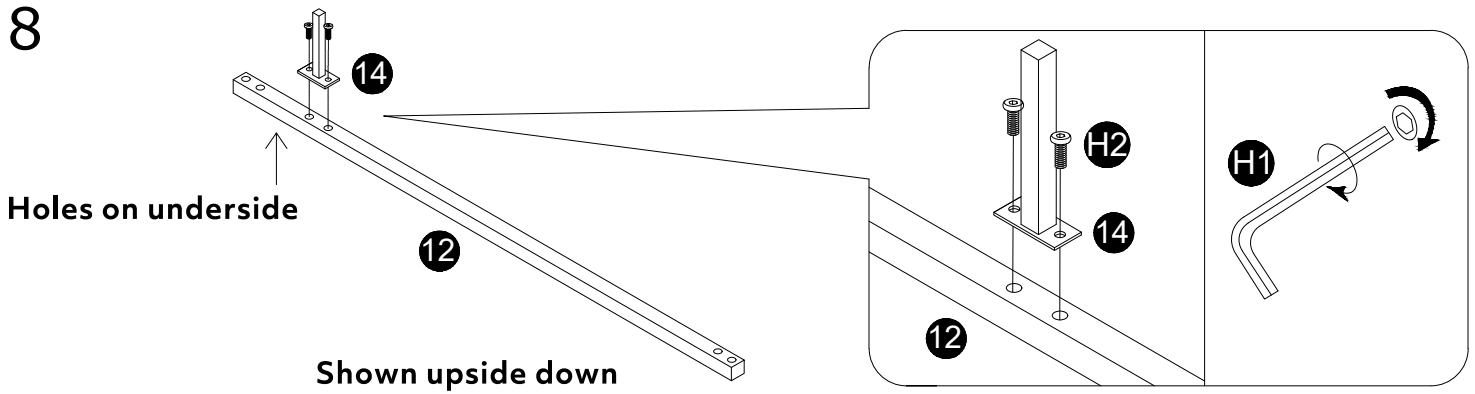
6



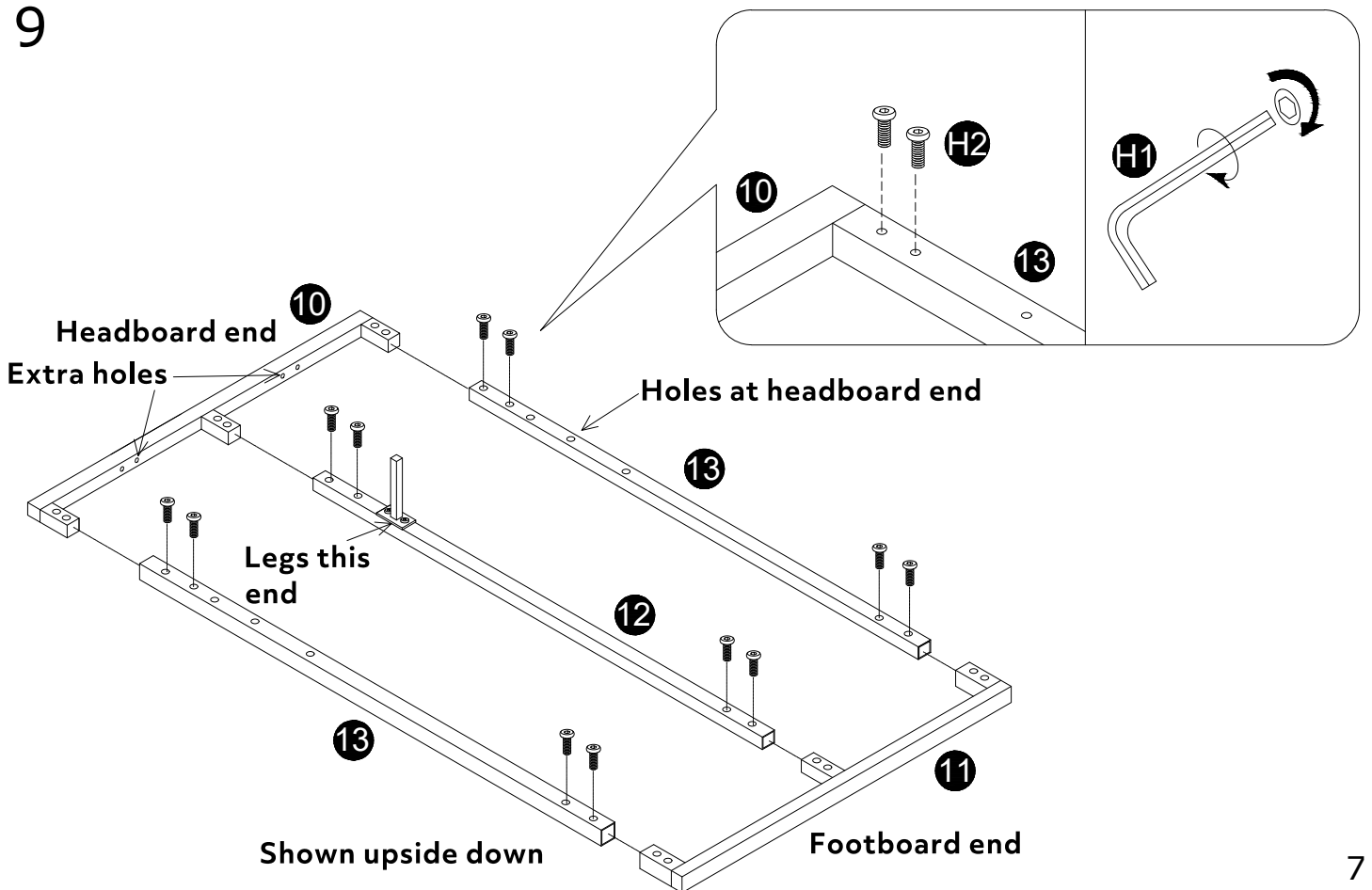
7



8

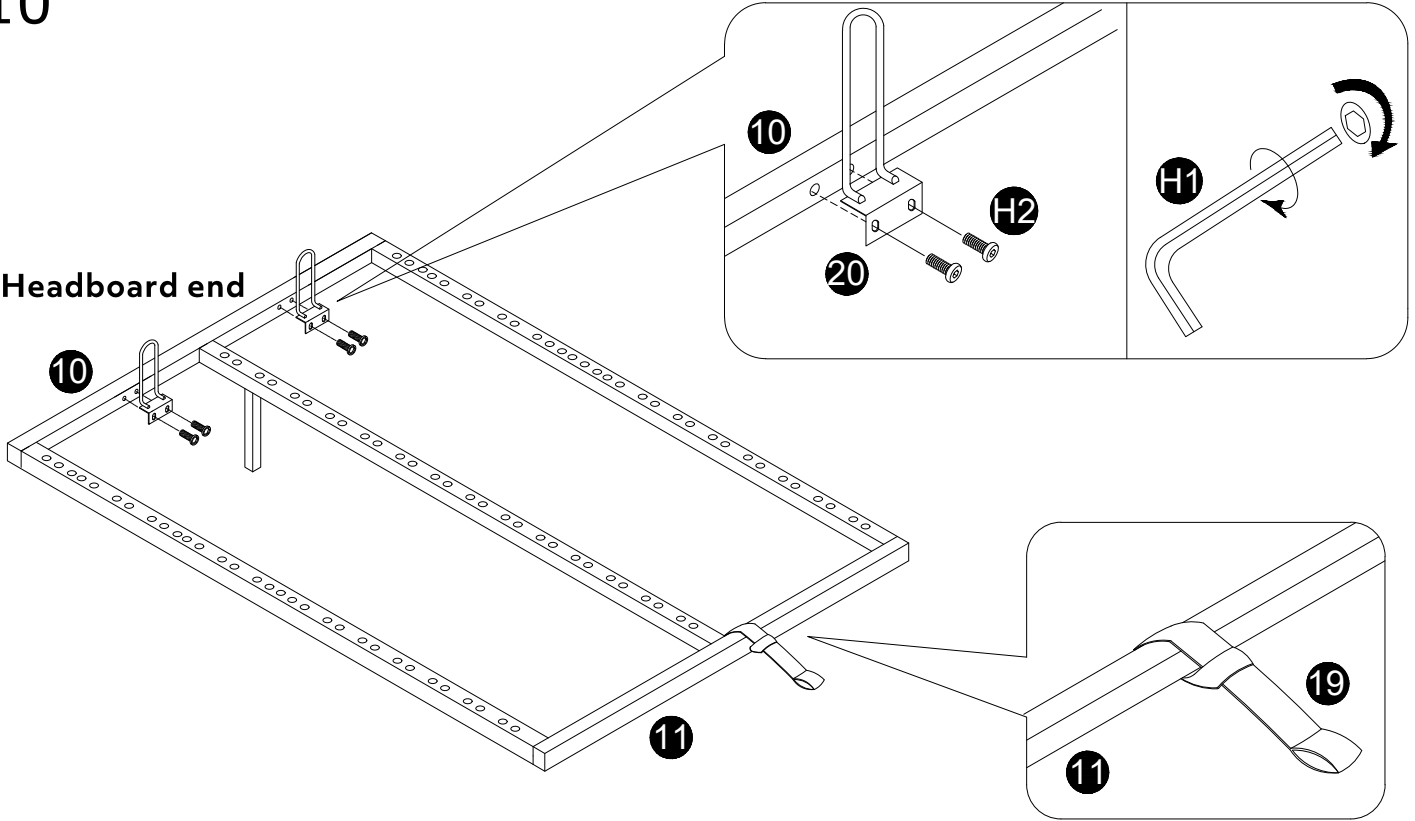


9

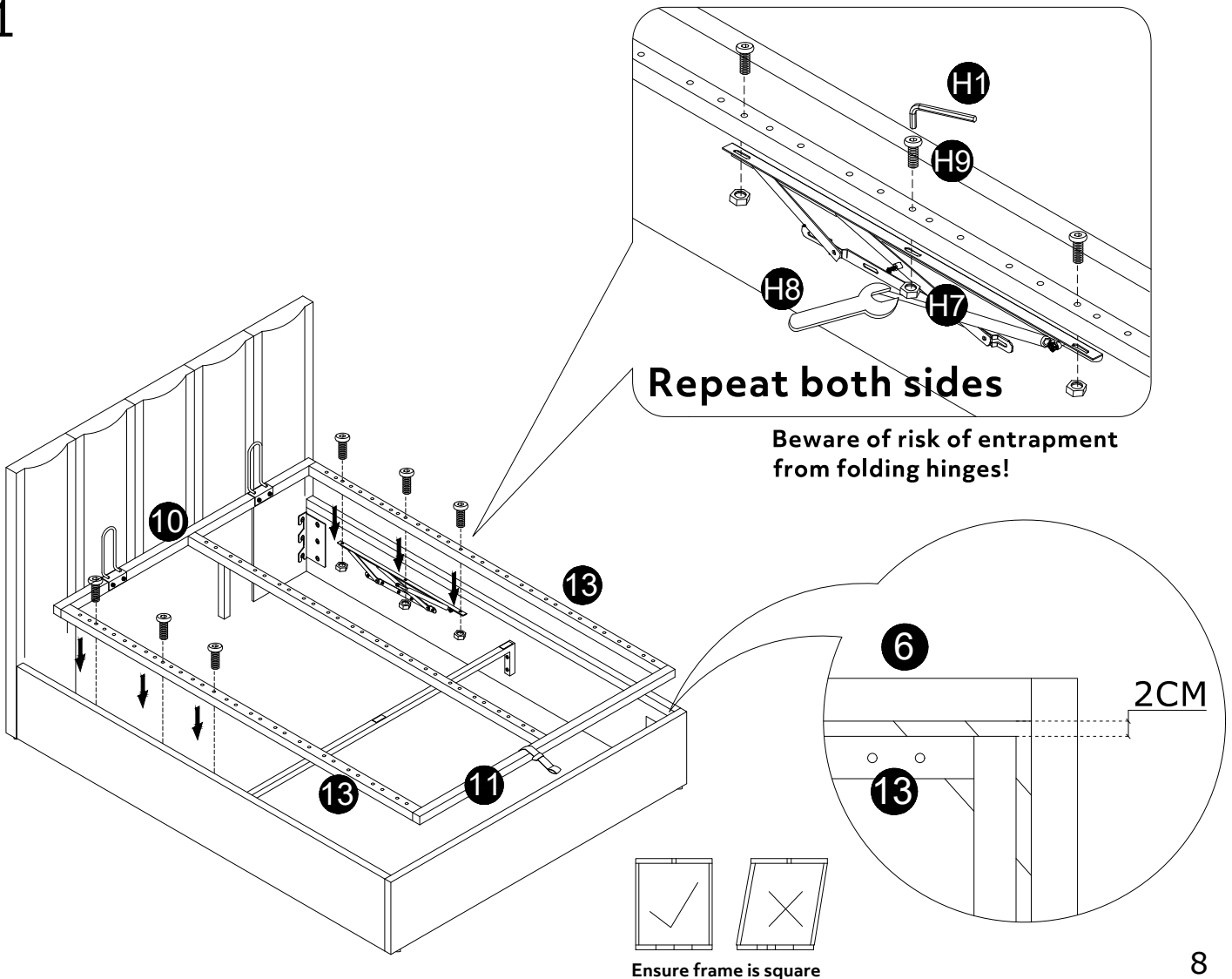


10

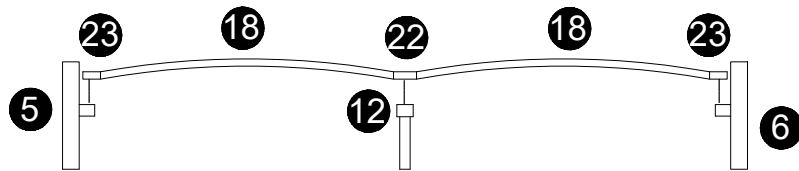
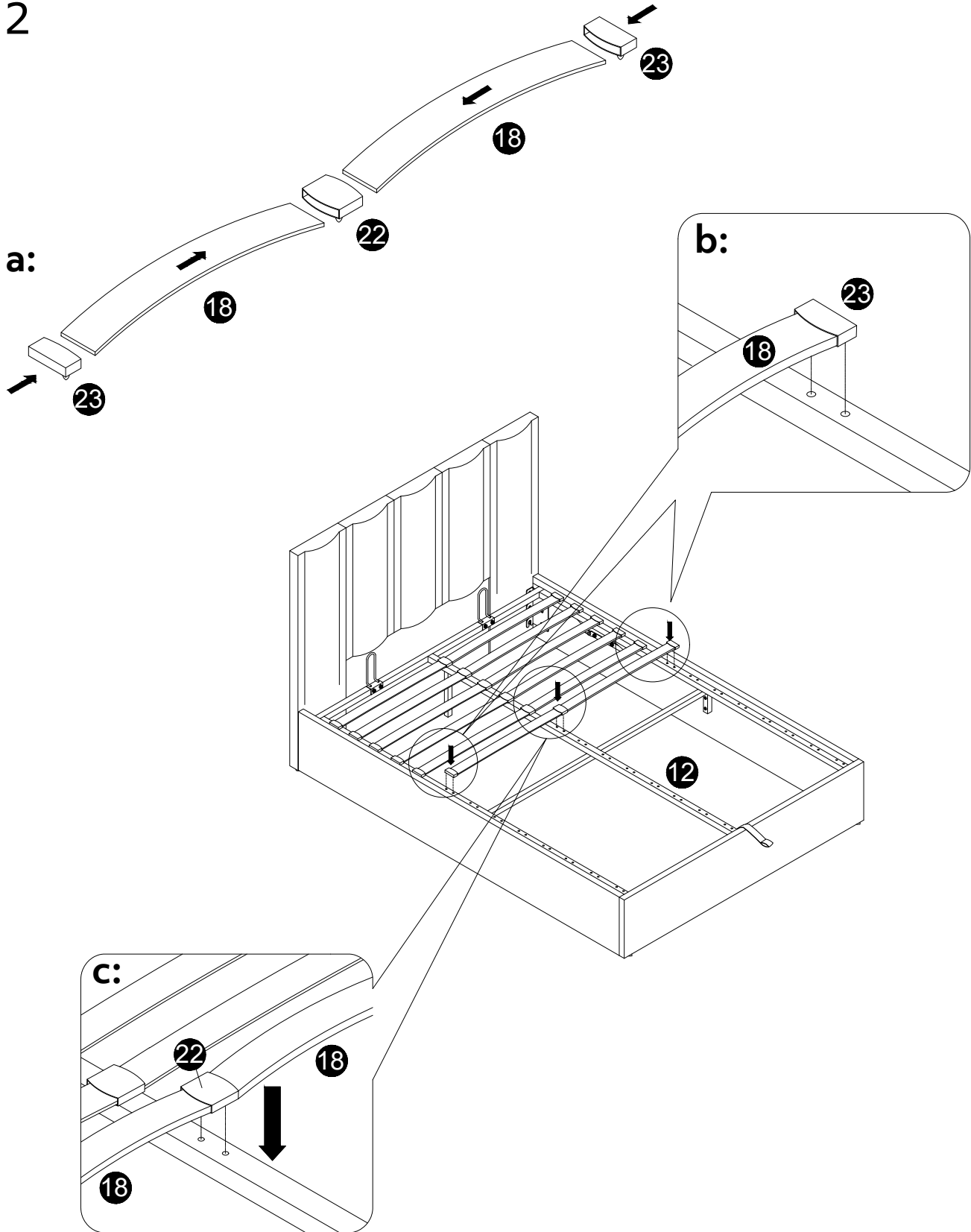
Headboard end



11



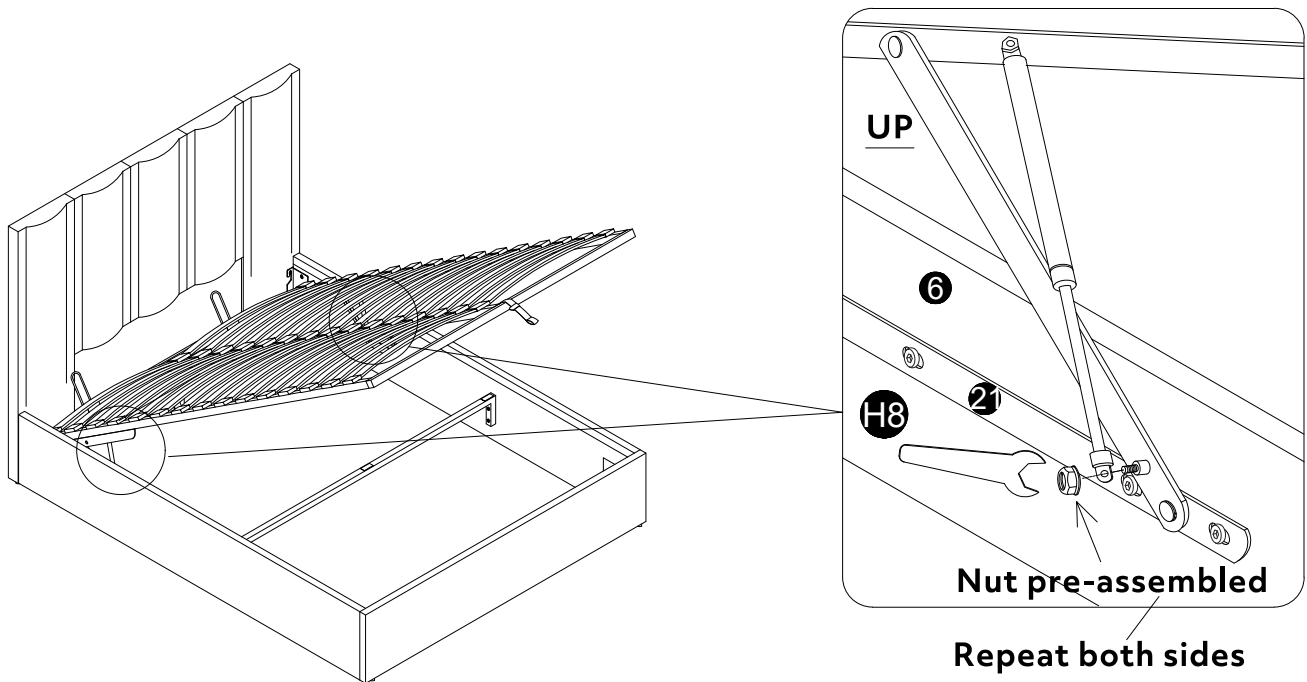
12



Slats to arch upwards

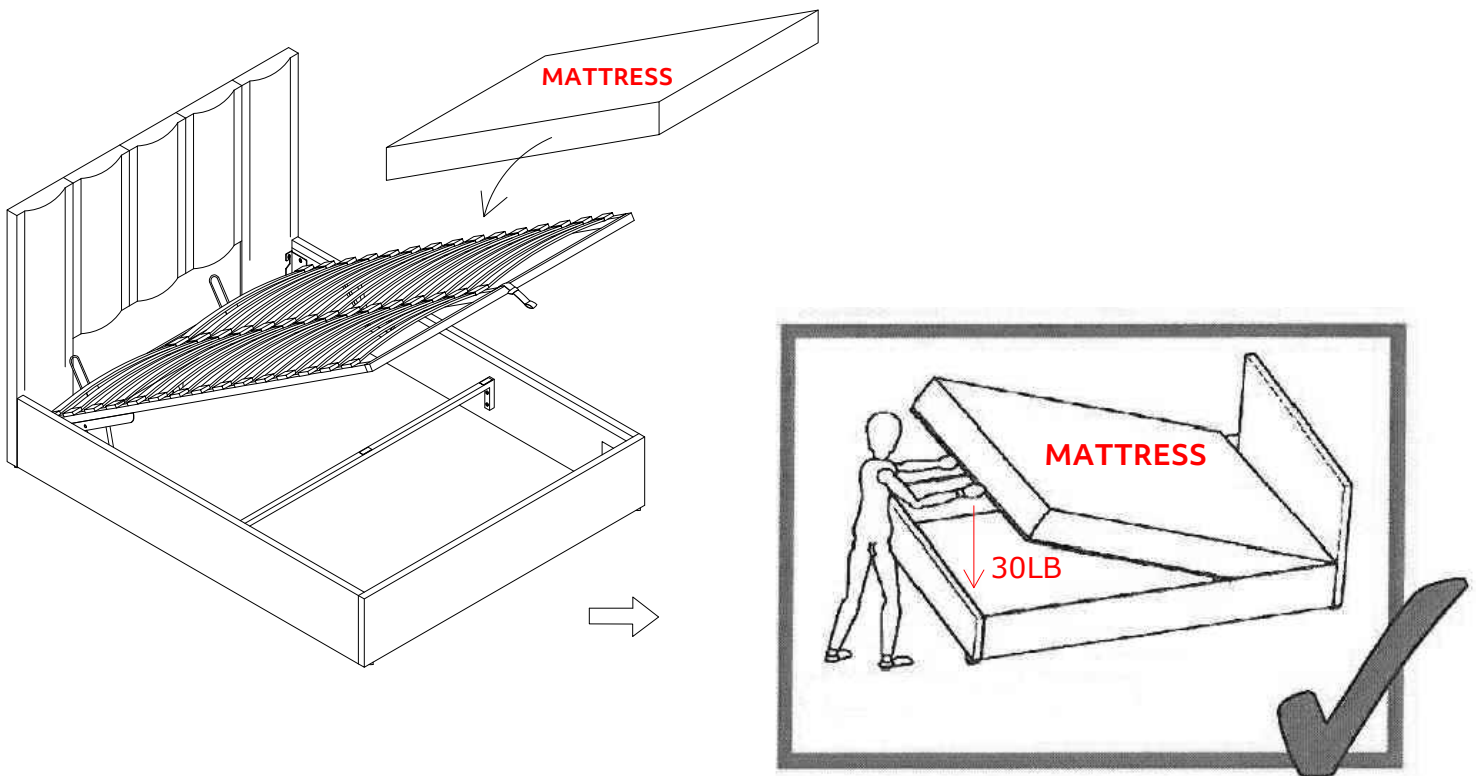
13

**Warning: Two people required.  
Frame to be fully supported at all times!**



**Important:** Before proceeding, check and ensure all screws and fixings are fully tightened.

14



 Place the mattress on frame & Carefully lower the frame down.  
Keep objects/body part & children away from moving parts.