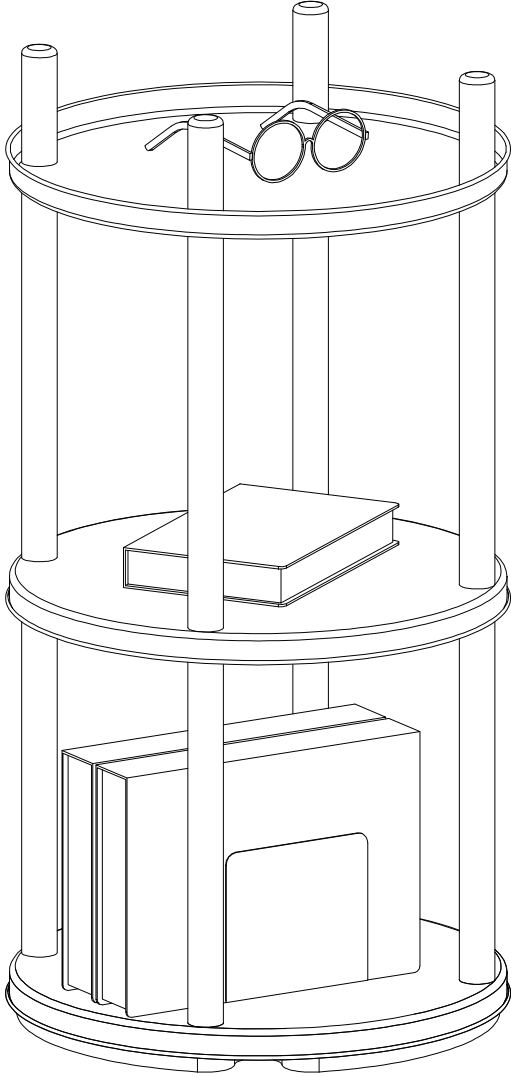
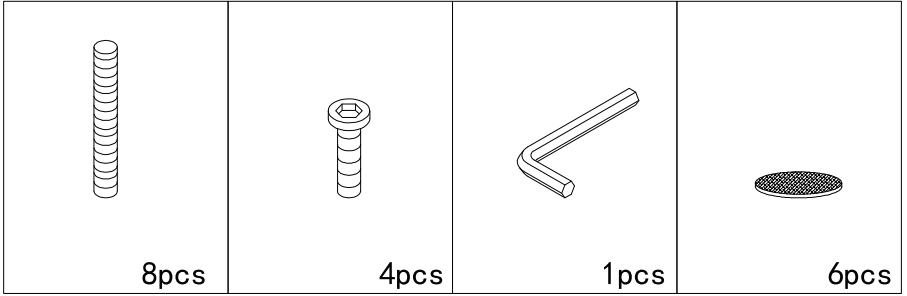
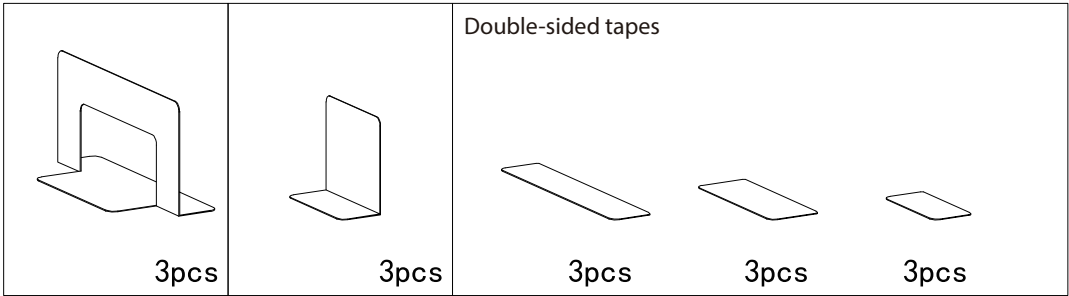
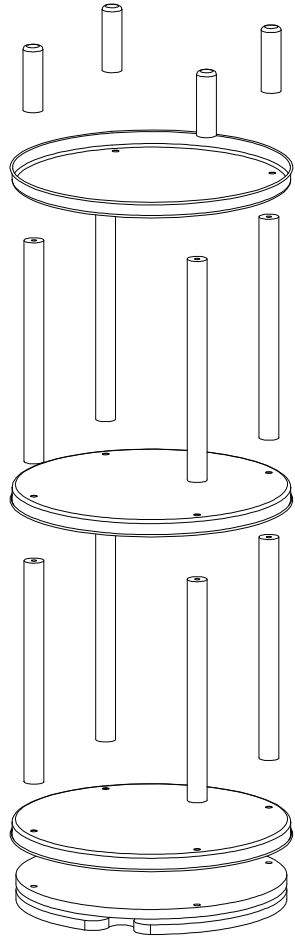


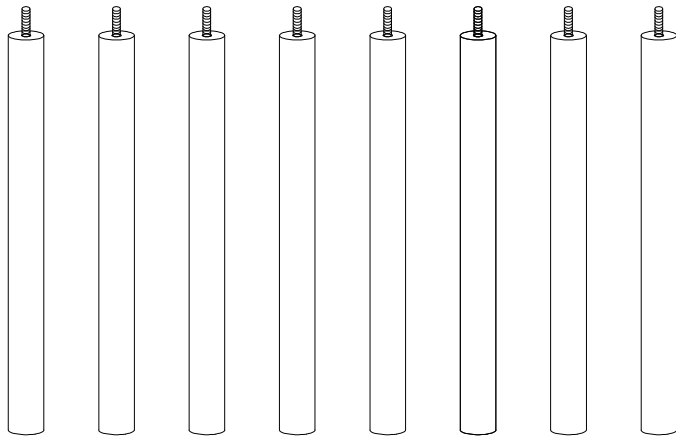
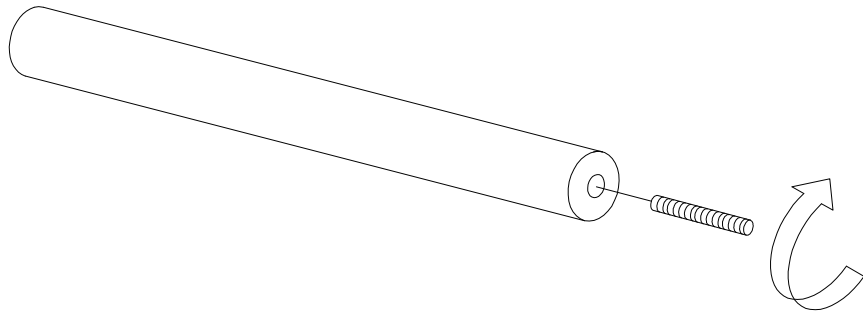
Space-saving rotating rack (3-tier)

Assembly Instructions

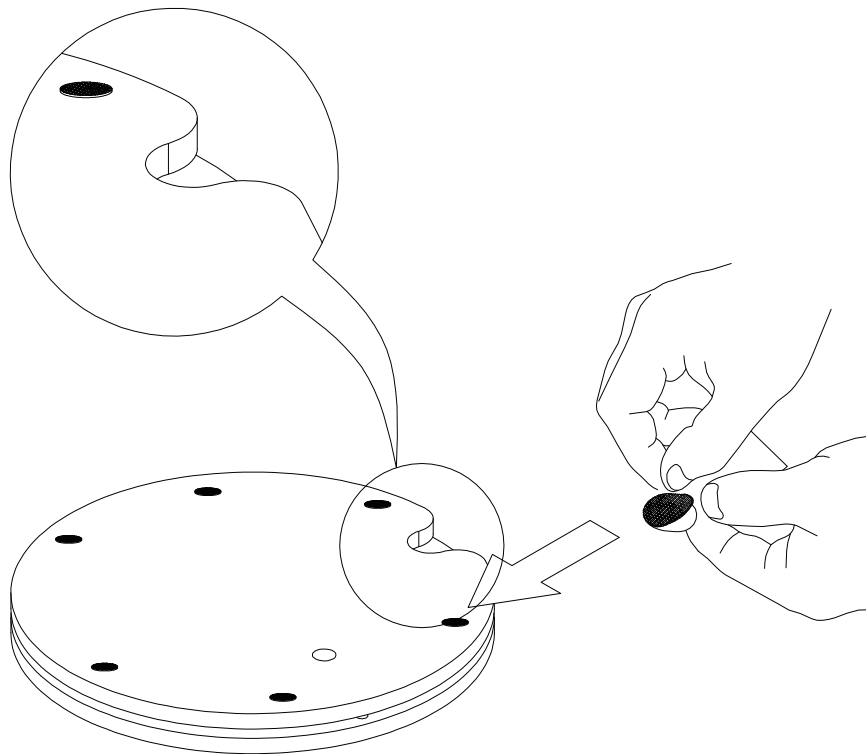




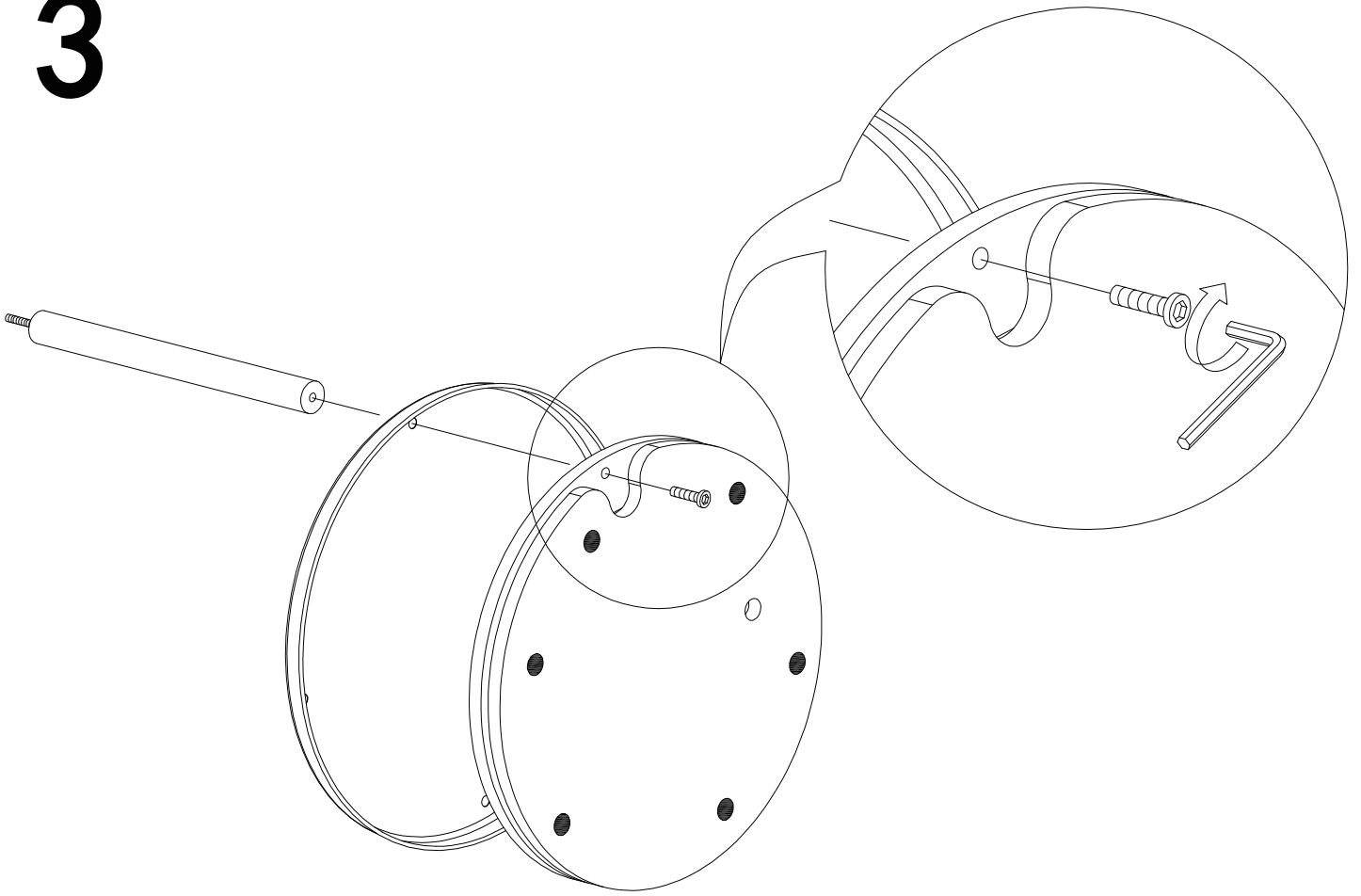
1



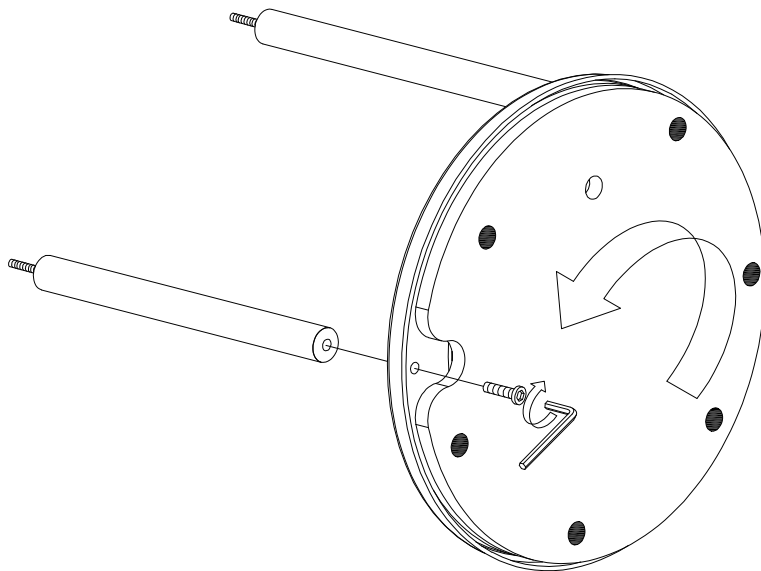
2



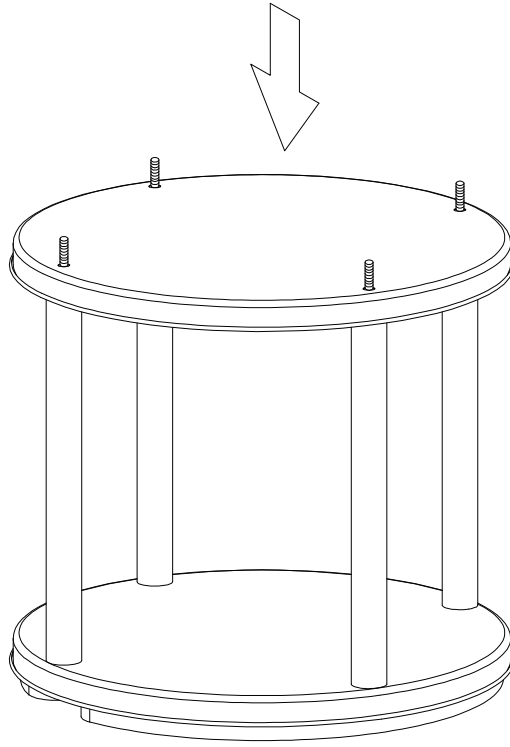
3



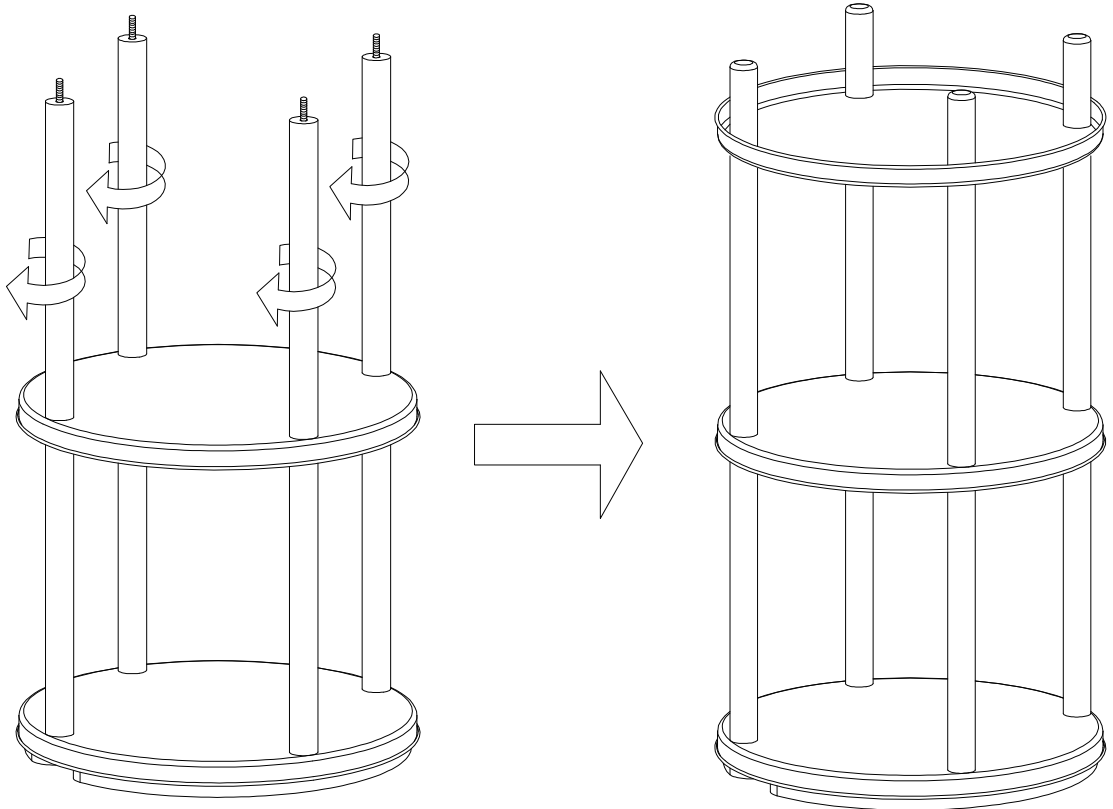
4



5



6



Apply the double-sided tapes

