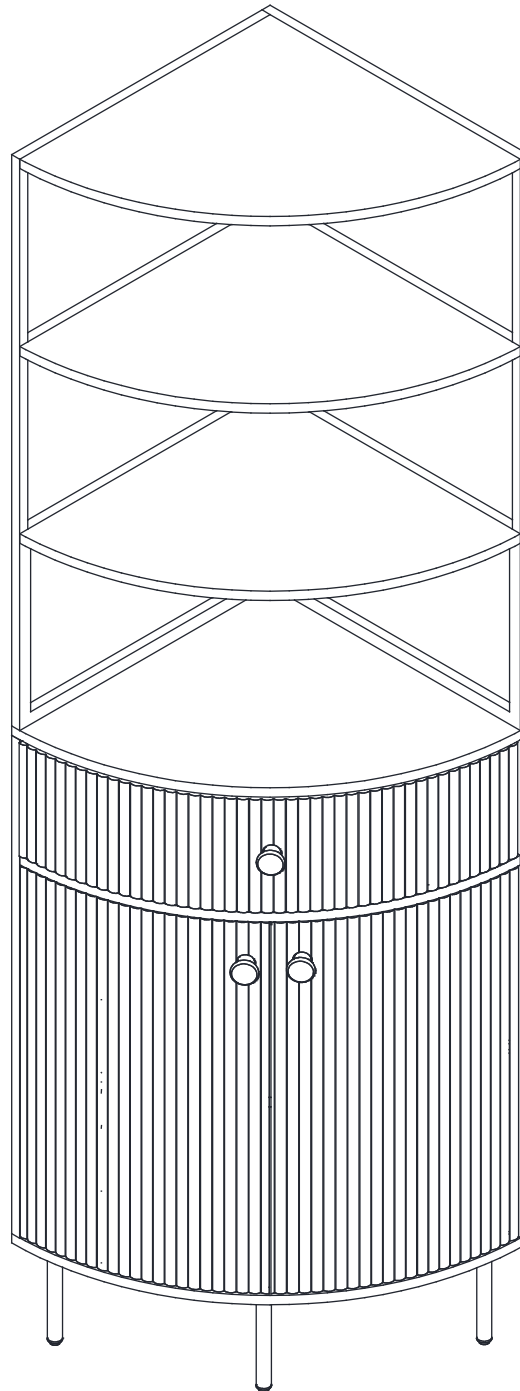


Shelf

SKU:WF314777

Assembly Instructions - Please keep for future reference



Dimensions

Width-18.9inch

Depth-18.9inch

Height-74.8inch

Important – Please read these instructions fully before starting assembly



Safety and Care Advice

Important – Please read these instructions fully before starting assembly

- Check you have all the components and tools listed on the following pages.
- Remove all fittings from the plastic bags and separate them into their groups.
- Keep children and animals away from the work area, small parts could choke if swallowed.
- Make sure you have enough space to layout the parts before starting.

- During assembly do not stand or put weight on the product, this could cause damage.
- Assemble the item as close to its final position (in the same room) as possible.
- Assemble on a soft level surface to avoid damaging the unit or your floor.
- Parts of the assembly will be easier with 2 people.



- To reduce the likelihood of damaging your product please ensure that your power drill is set on a low torque setting.

Care and maintenance

- Only clean using a damp cloth and mild detergent, do not use bleach or abrasive cleaners.
- From time to time check that there are no loose screws on this unit.
- This product should not be discarded with household waste. Take to your local authority waste disposal centre.

Handy Hints

- Assemble all parts and bolts loosely during assembly, only once the product is complete should you fully tighten the bolts
- Regularly check and ensure That all bolts and fittings are tightend properly.

WARNING
In order to help prevent overturning –
please follow these instructions

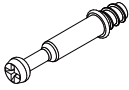




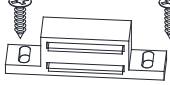
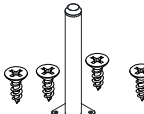
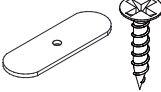
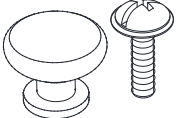
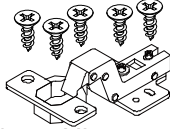




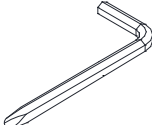
To help prevent product toppling over please follow the below steps:-

- Use the anti tip stap or wall fixing method provided (if applicable)
- Do not allow children to climb or hang on the furniture
- Do not open more than one drawer at a time
- Do not place heavy items in the top drawers
- Do not place heavy items on top of the furniture, unless the furniture has been designed for this purpose

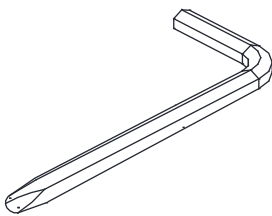
Components - Fittings

Please check you have all the panels listed below

Note: The quantities below are the correct amount to complete the assembly. In some cases, more fittings may be supplied than required.

<p>(A)</p>  <p>Cam Bolt x 33</p>	<p>(B)</p>  <p>Dowel x 20</p>	<p>(C)</p>  <p>Cam lock x 33</p>	<p>(D)</p>  <p>200mm Drawer slide x 2</p>
<p>(E)</p>  <p>3*12mm Screw x 9</p>	<p>(F)</p>  <p>3*16mm Base knob x1SET</p>	<p>(G)</p>  <p>3.5*14mm Lron foot x 4SET</p>	<p>(H)</p>  <p>3*12mm Magnetic sheet x 2SET</p>
<p>(I)</p>  <p>4*22mm Round handle x3SET</p>	<p>(J)</p>  <p>3.5*14mm Hinge x 4SET</p>	<p>(Q)</p>  <p>6*30mm Screw x 5</p>	<p>(L)</p>  <p>7*40mm Screw x 13</p>
<p>(M)</p>  <p>4*25mm Screw x 4</p>	<p>(N)</p>  <p>4*35mm Anti rewind tape x1SET</p>	<p>(O)</p>  <p>Allen key x 1</p>	

Tools required



Phillips screwdriver
(medium & large)

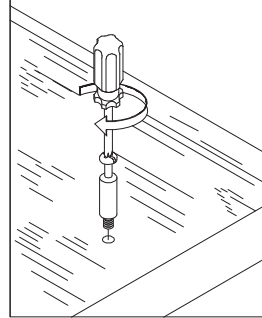
Using Camlocks

Step 1

Connect the male camlock as directed in the assembly instructions using a screwdriver.

1

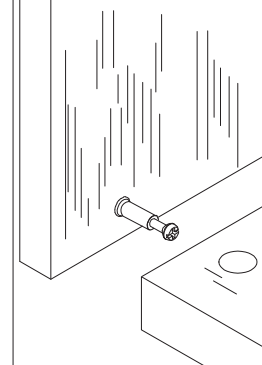
DO NOT OVER TIGHTEN.
NE PAS SERRER EXCESSIVEMENT.



Step 2

Push the male camlock into the entry hole.

2

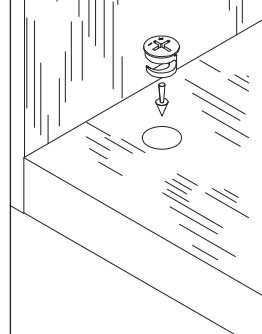


Step 3

Insert the female camlock as shown in the instruction.

Note: ensure that the arrow on the top of the camlock points towards the entry hole for the male camlock.

3



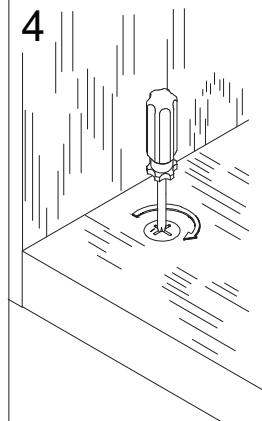
Step 4

Turn the female camlock clockwise with a screwdriver.



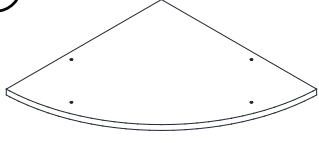
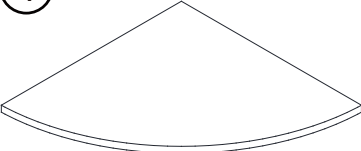
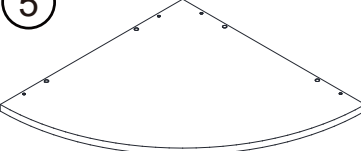
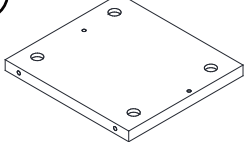
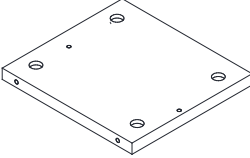
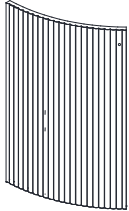
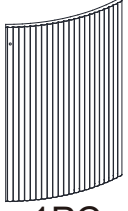
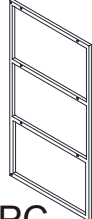
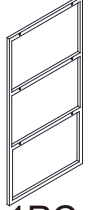
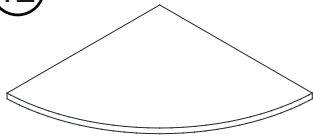

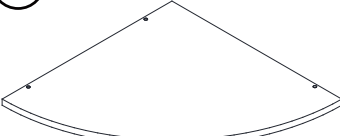
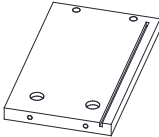
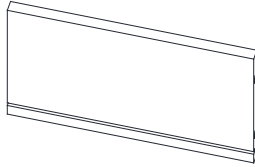
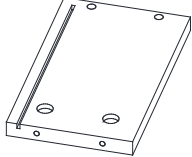
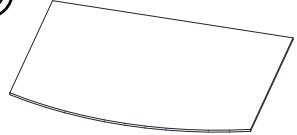

You should feel a click when the camlock is locked in place.

The joint is now secure.

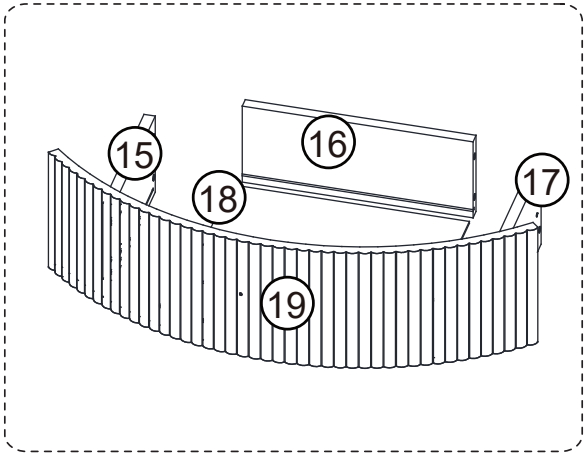
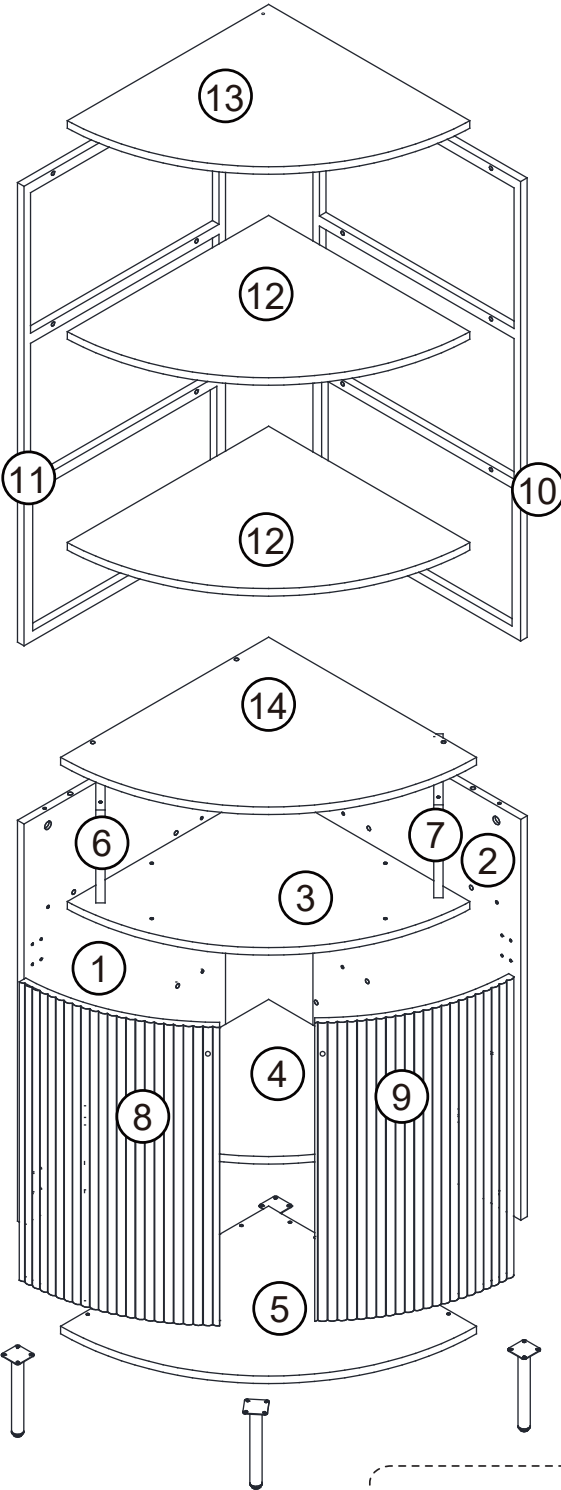
4



SKU:WF314777

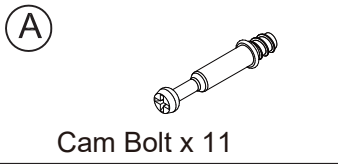
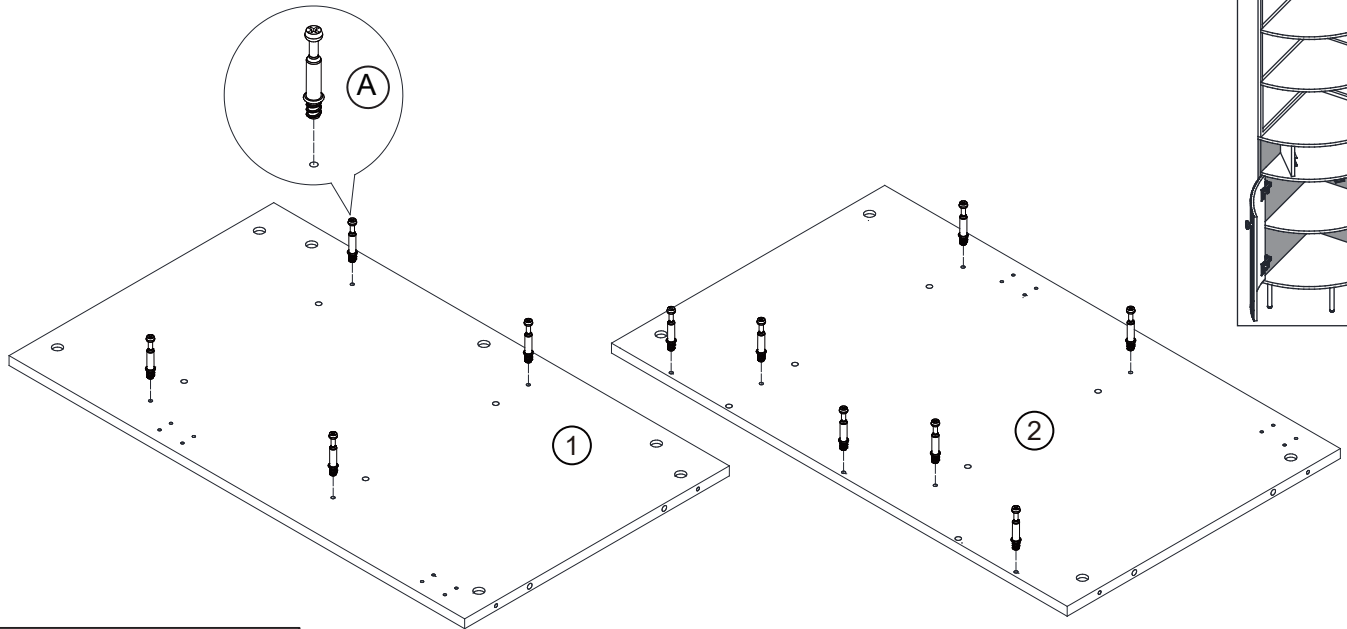
<p>①</p>  <p>1PC</p>	<p>②</p>  <p>1PC</p>	<p>③</p>  <p>1PC</p>
<p>④</p>  <p>1PC</p>	<p>⑤</p>  <p>1PC</p>	<p>⑥</p>  <p>1PC</p>
<p>⑦</p>  <p>1PC</p>	<p>⑧</p>  <p>1PC</p>	<p>⑨</p>  <p>1PC</p>
<p>⑩</p>  <p>1PC</p>	<p>⑪</p>  <p>1PC</p>	<p>⑫</p>  <p>2PC</p>
<p>⑬</p>  <p>1PC</p>	<p>⑭</p>  <p>1PC</p>	<p>⑮</p>  <p>1PC</p>
<p>⑯</p>  <p>1PC</p>	<p>⑰</p>  <p>1PC</p>	<p>⑱</p>  <p>1PC</p>
<p>⑲</p>  <p>1PC</p>		

SKU: Assembly Instructions

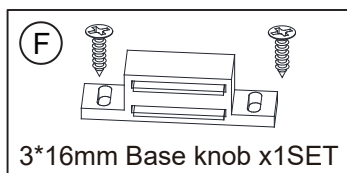
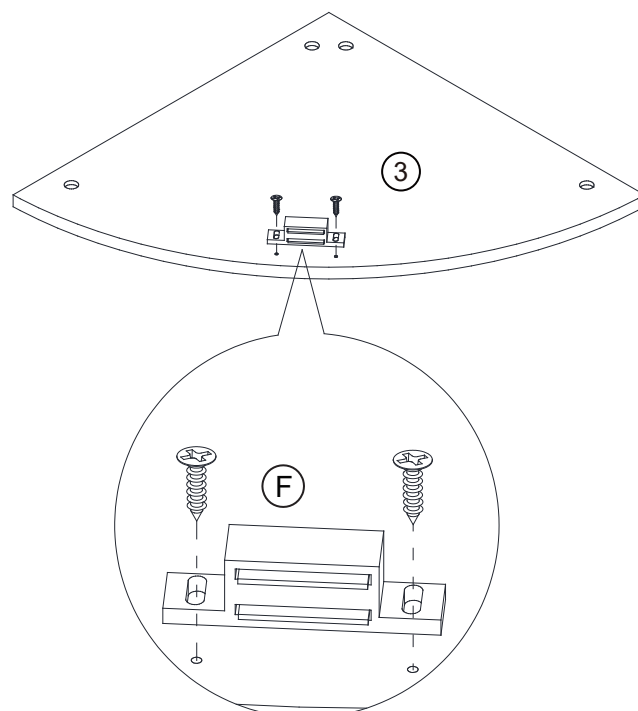


SKU:WF314777 Assembly Instructions

Step 1

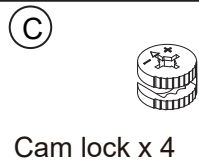
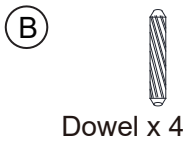
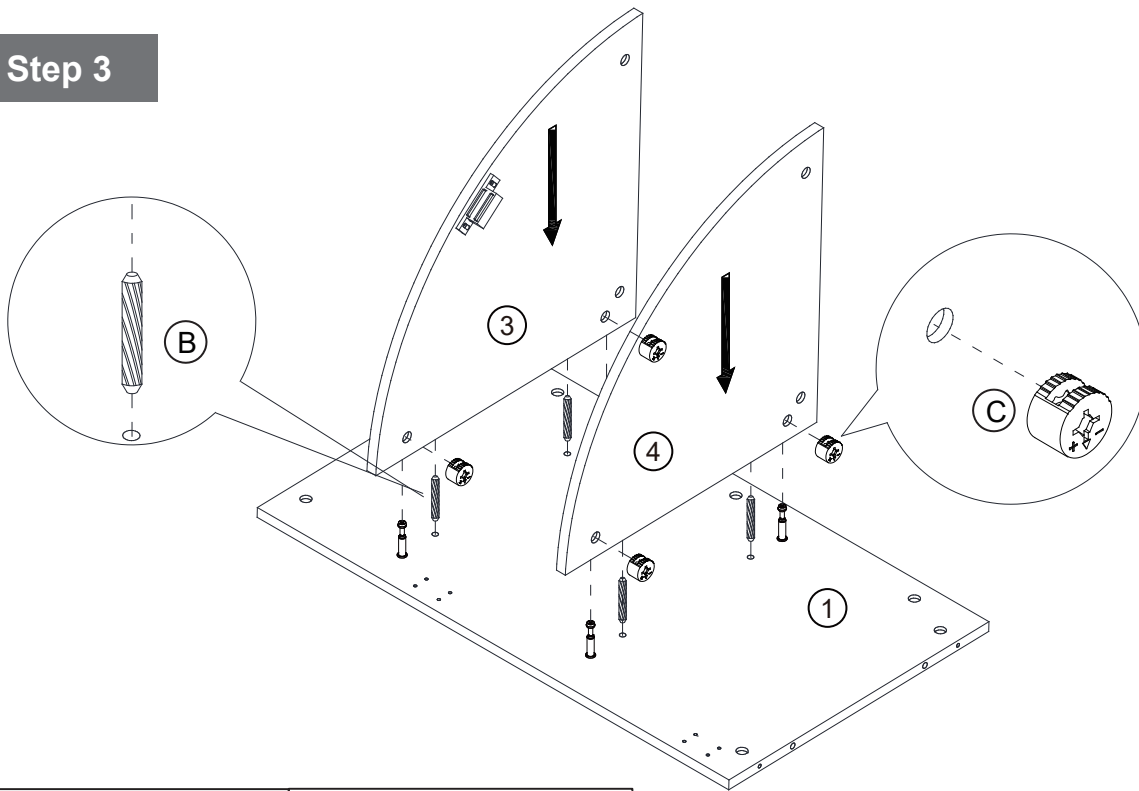


Step 2

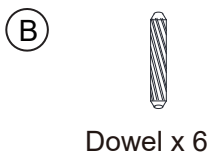
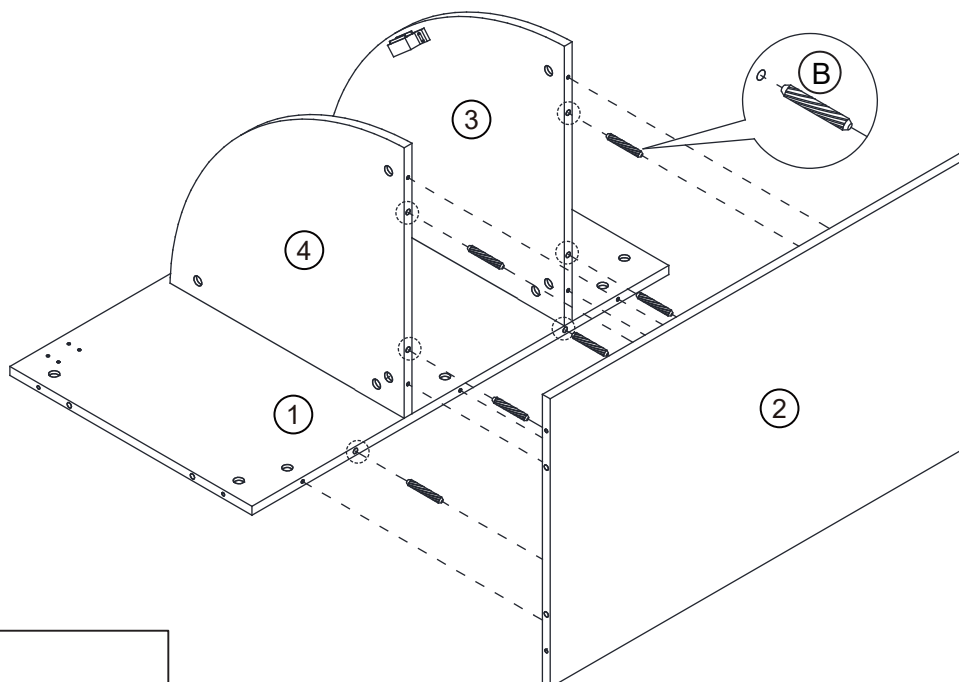


Assembly Instructions

Step 3

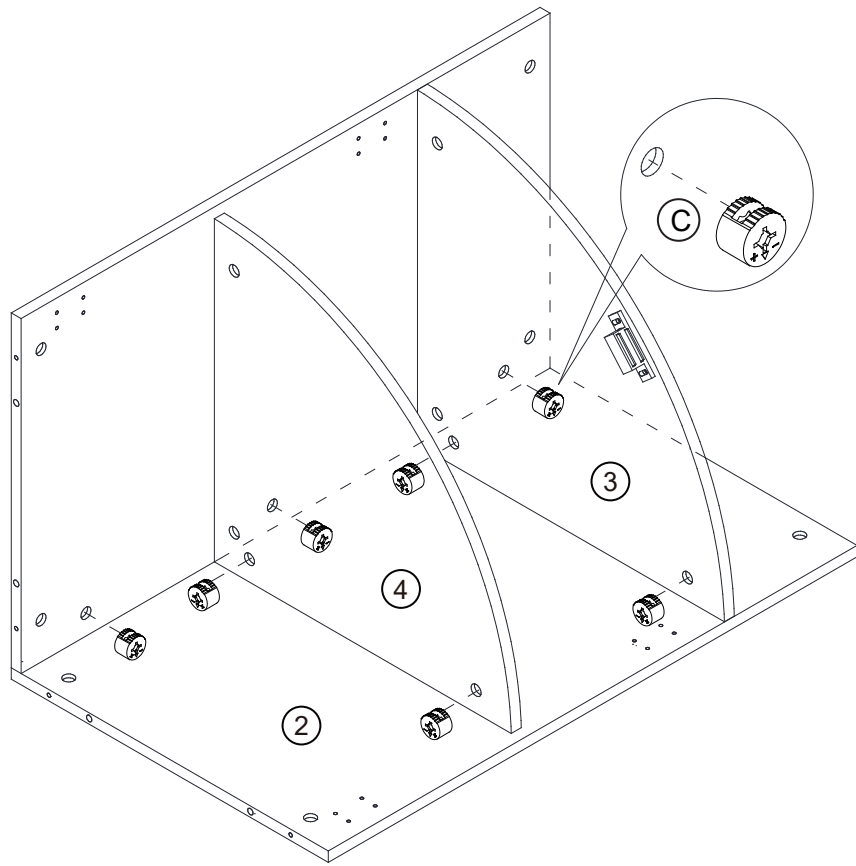


Step 4



Assembly Instructions

Step 5

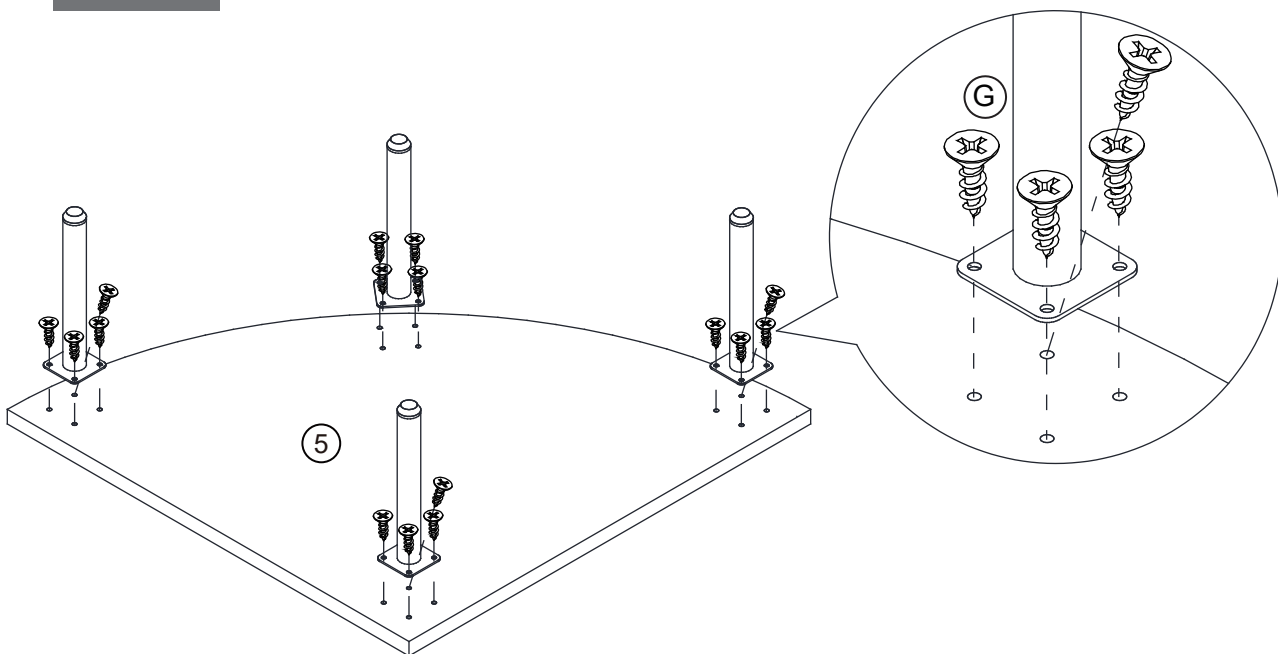


C

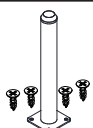


Cam lock x 7

Step 6



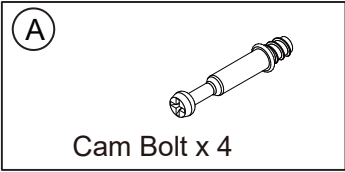
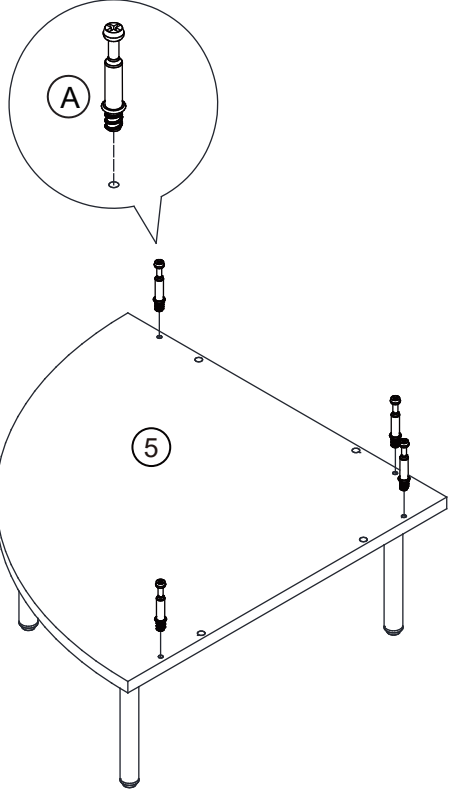
G



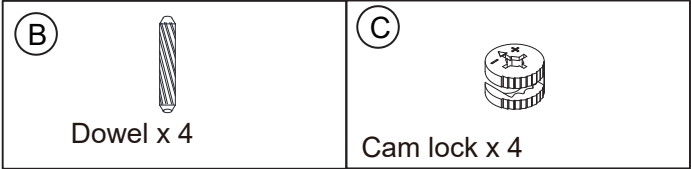
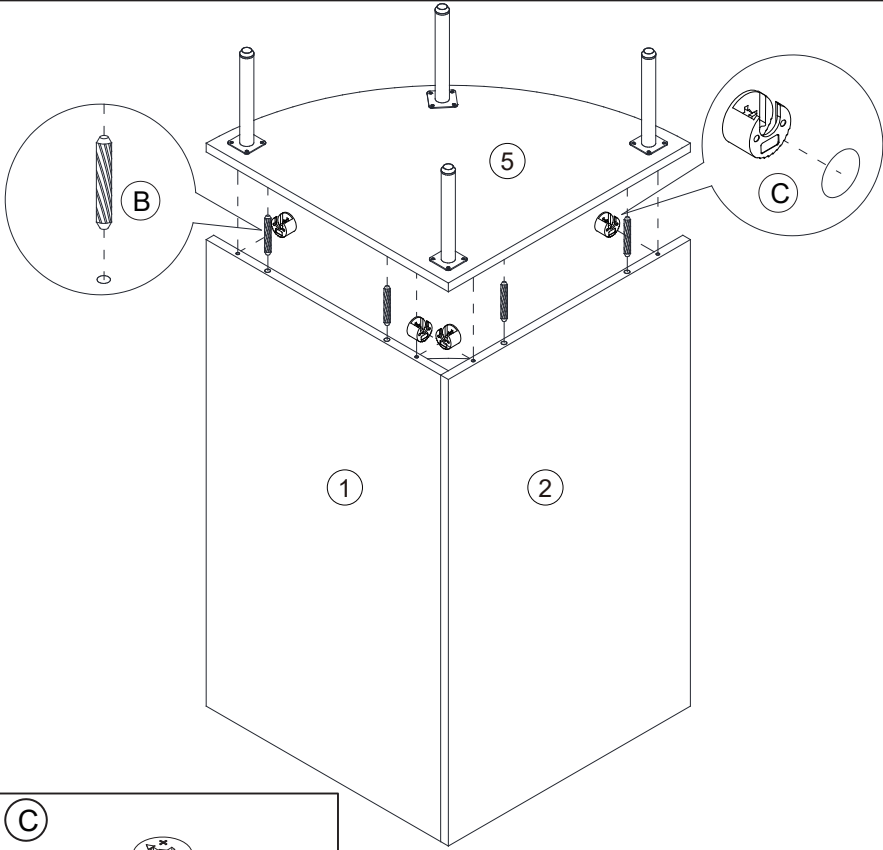
3.5*14mm Iron foot x 4SET

Assembly Instructions

Step 7

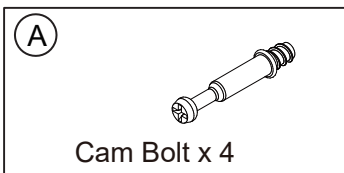
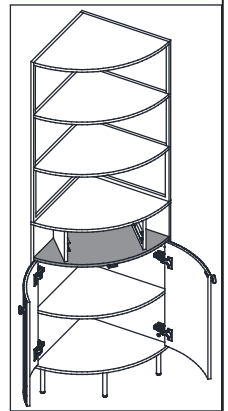
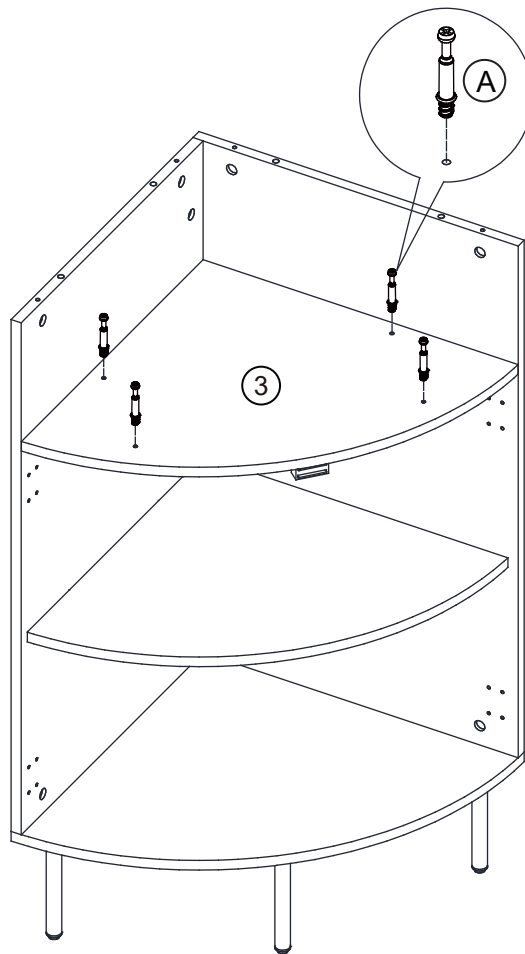


Step 8



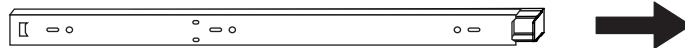
Assembly Instructions

Step 9

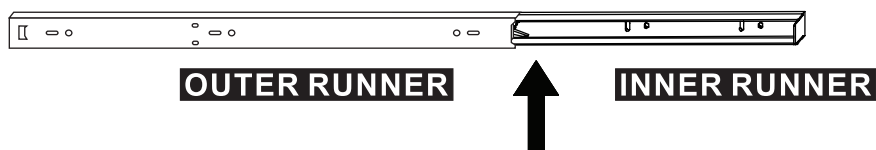


Pull inner and outer drawer runners apart before fixing them to panels.

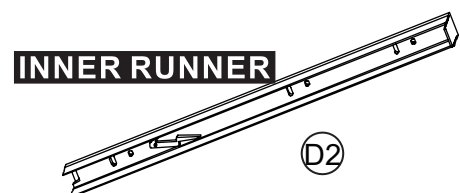
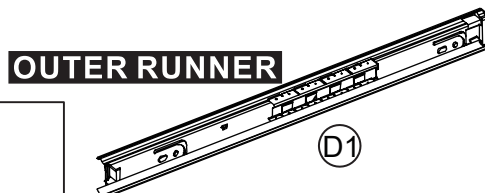
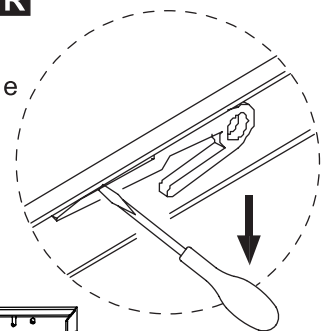
Step 10



Slide drawer runners apart until the drawer lock can be seen, as shown.



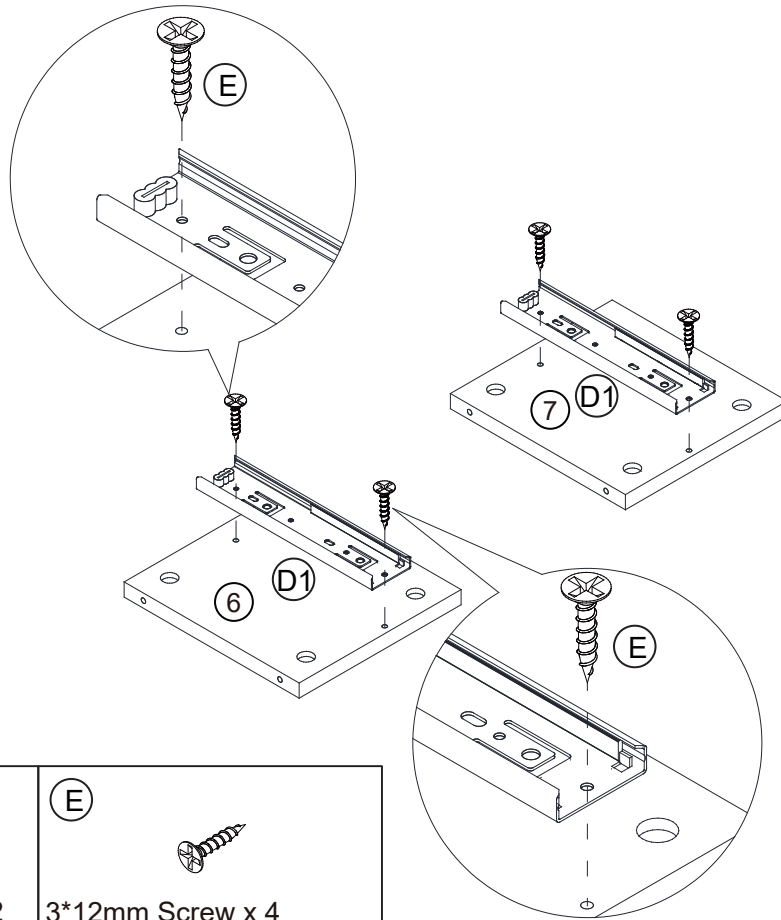
Press and hold the drawer runner lock and then continue to slide drawer runners apart, as shown.



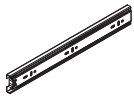
Your inner and outer drawer runners are ready to be fixed to panels.

Assembly Instructions

Step 11



(D1)



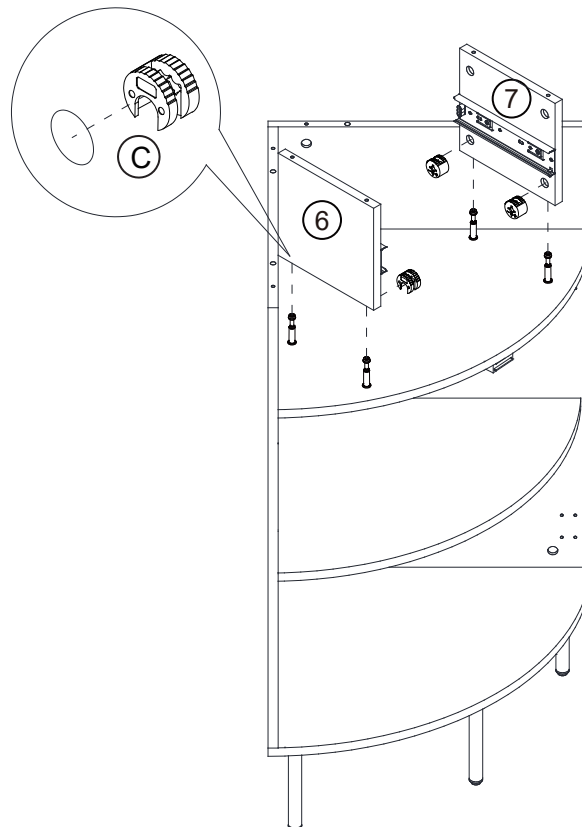
200mm Drawer slide x 2

(E)



3*12mm Screw x 4

Step 12



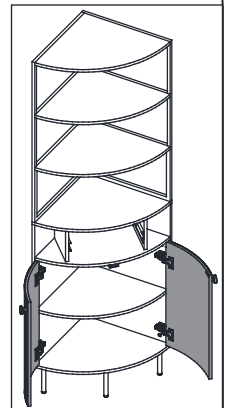
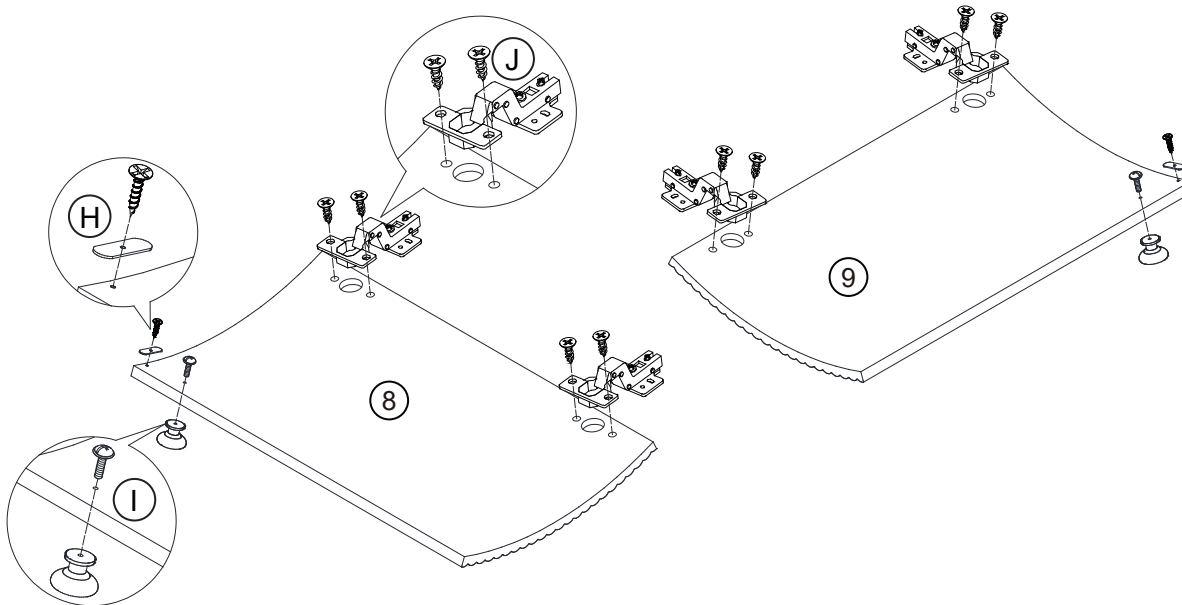
(C)

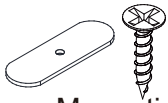


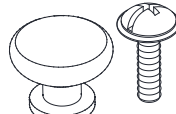
Cam lock x 4

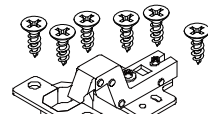
Assembly Instructions

Step 13

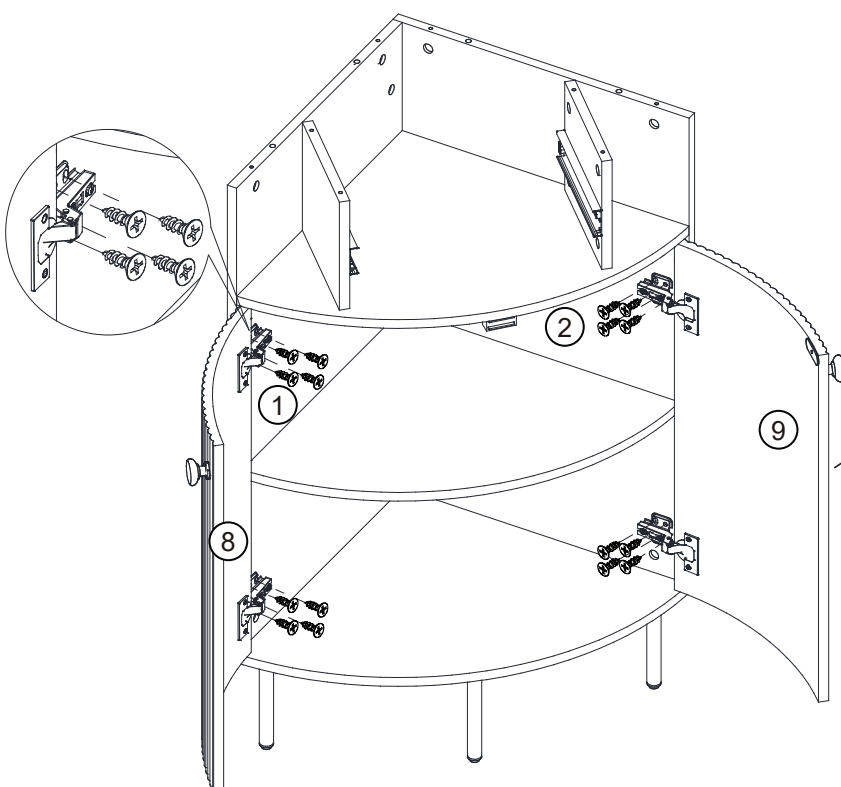


H  3*12mm Magnetic sheet x 2SET

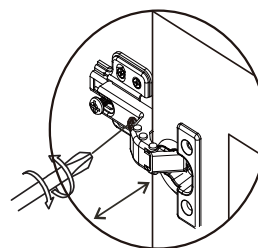
I  4*22mm Round handle x 2SET

J  3.5*14mm Hinge x 4SET

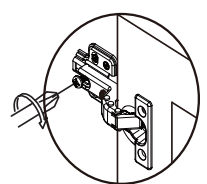
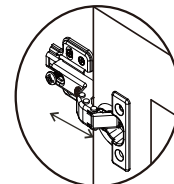
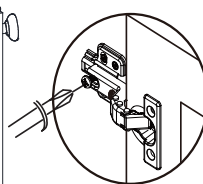
Step 14



If the door can't close, please adjust the hinges.



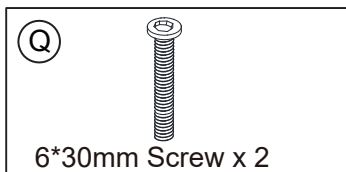
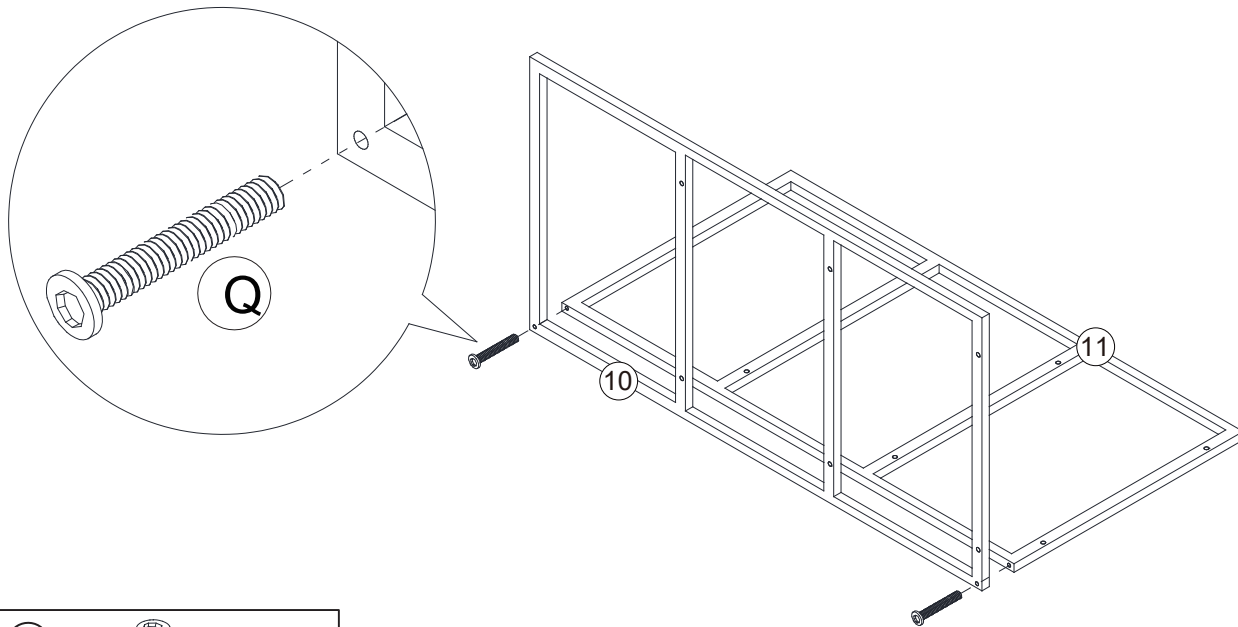
This is used to adjust the door panel in the up and down direction.



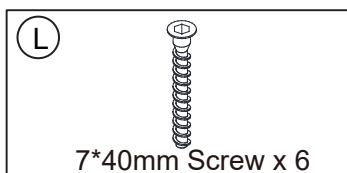
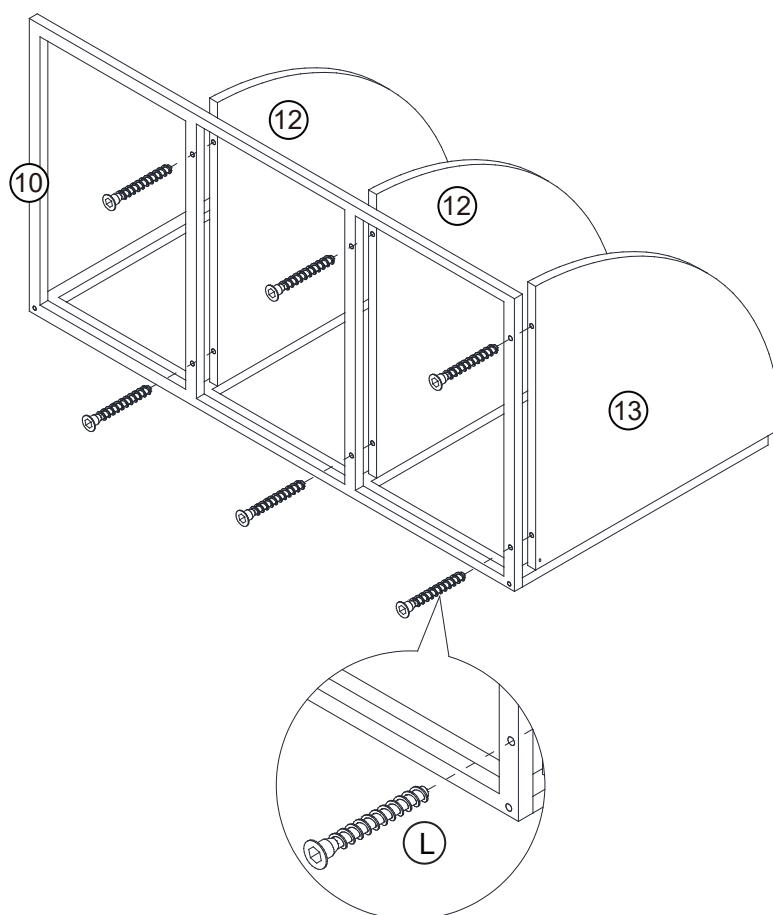
This is used to adjust the door panel in the front and back direction: Loosen the screw first, and then tighten screw after adjusting the door panel to the proper position.

Assembly Instructions

Step 15

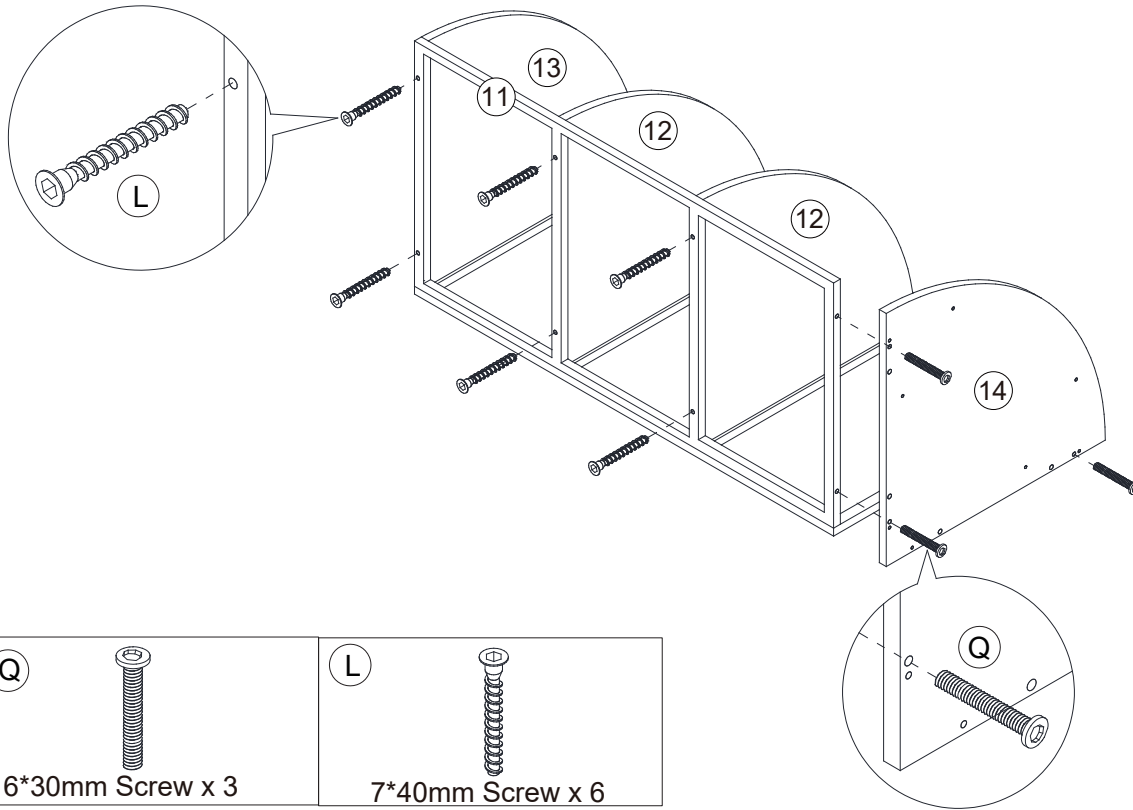


Step 16

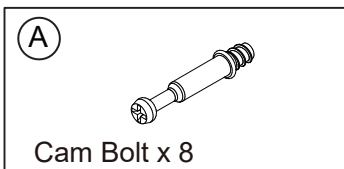
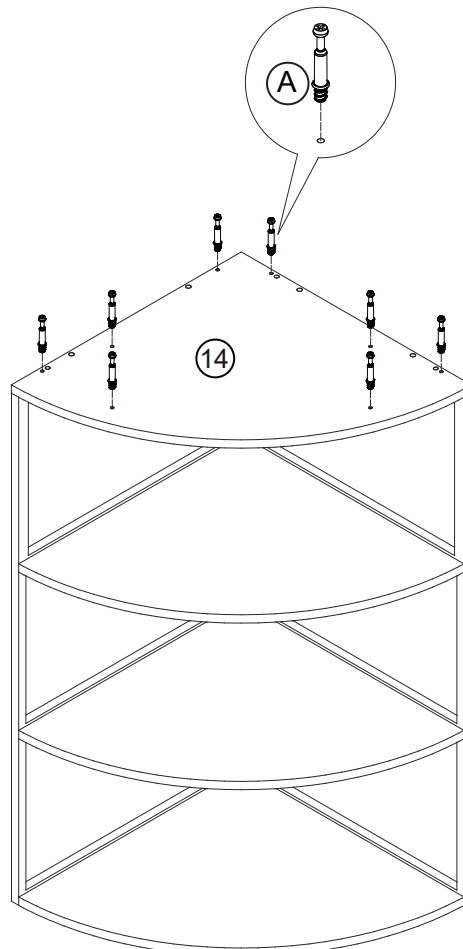


Assembly Instructions

Step 17

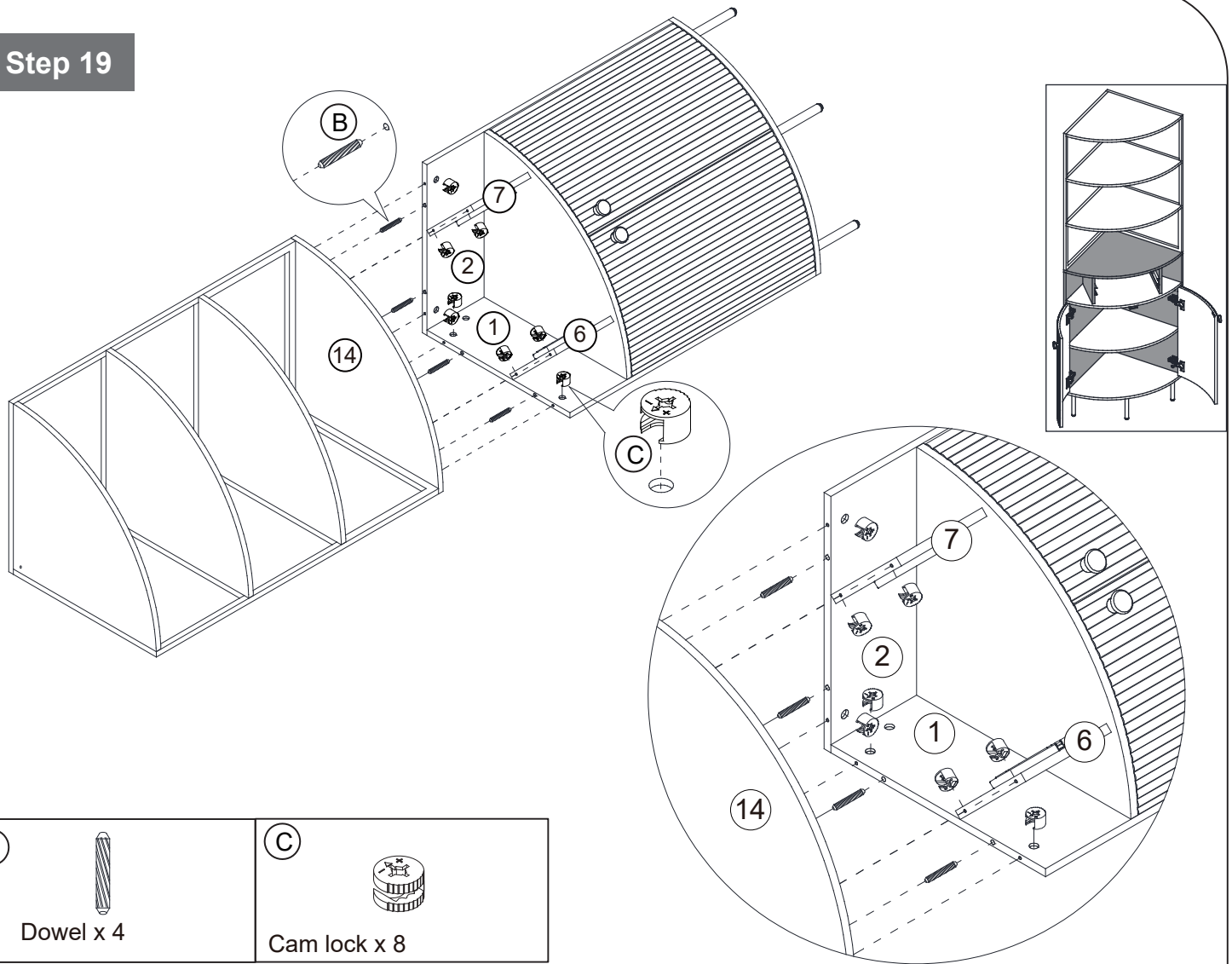




Step 18



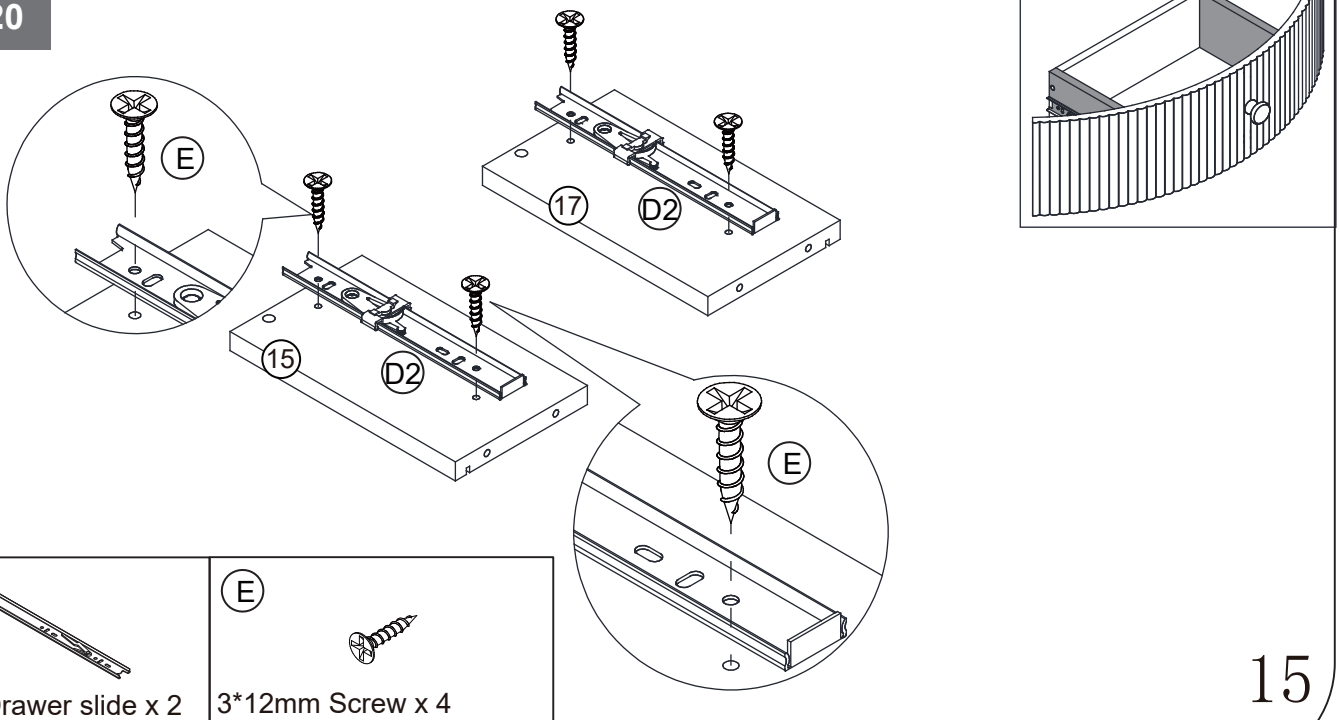
Assembly Instructions

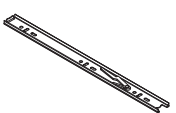

Step 19



<p>(B)</p>  <p>Dowel x 4</p>	<p>(C)</p>  <p>Cam lock x 8</p>
--	---

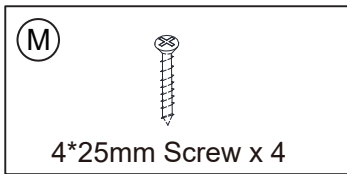
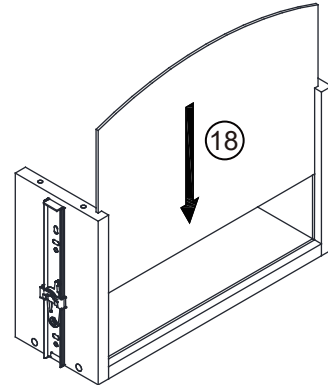
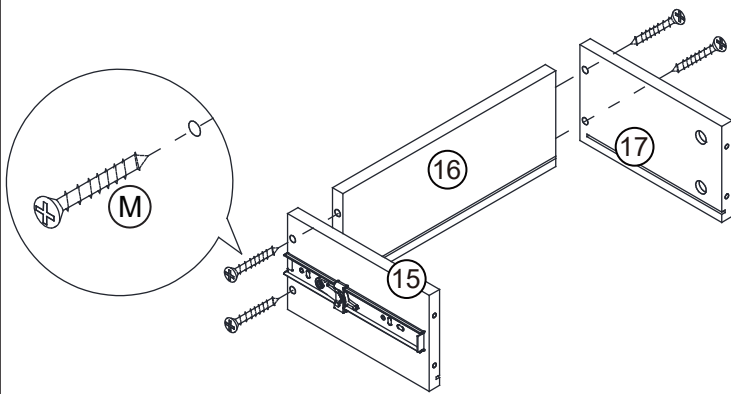
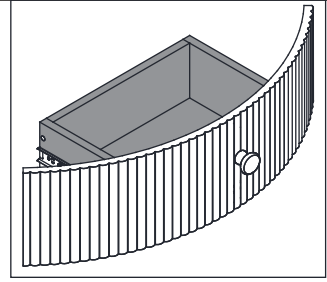
Step 20



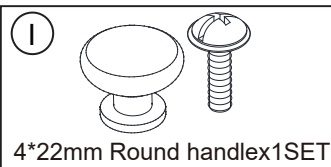
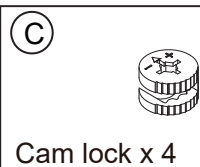
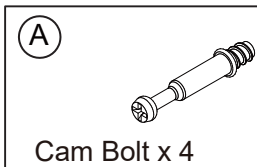
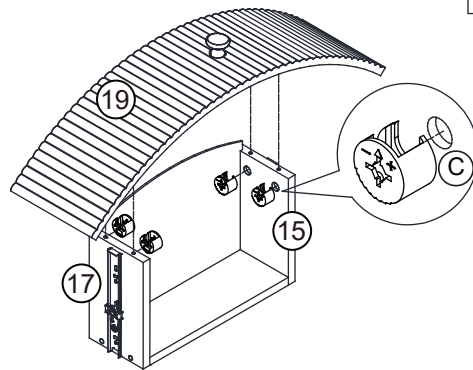
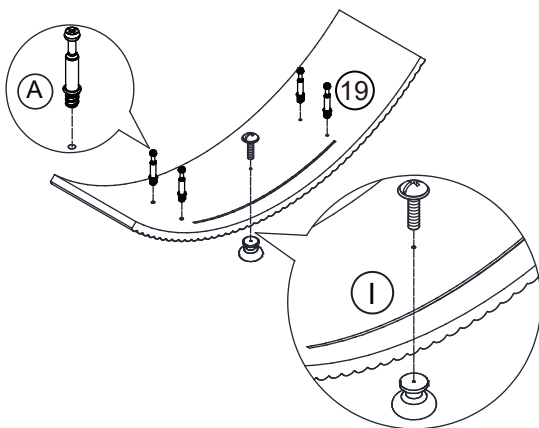
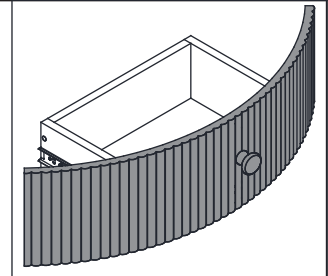
<p>(D2)</p>  <p>200mm Drawer slide x 2</p>	<p>(E)</p>  <p>3*12mm Screw x 4</p>
--	---

Assembly Instructions

Step 21

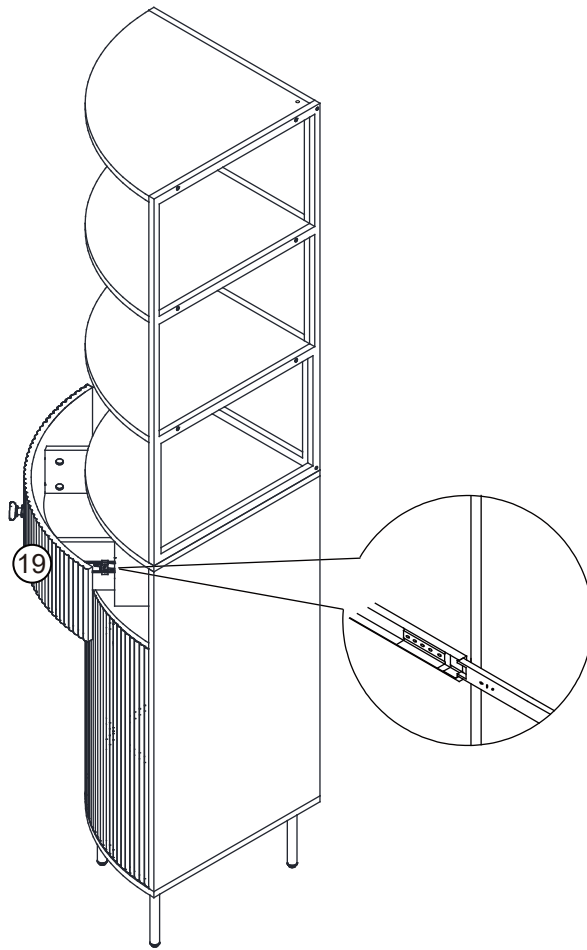


Step 22

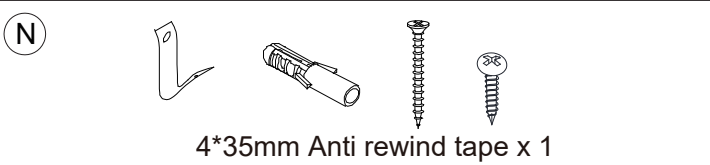
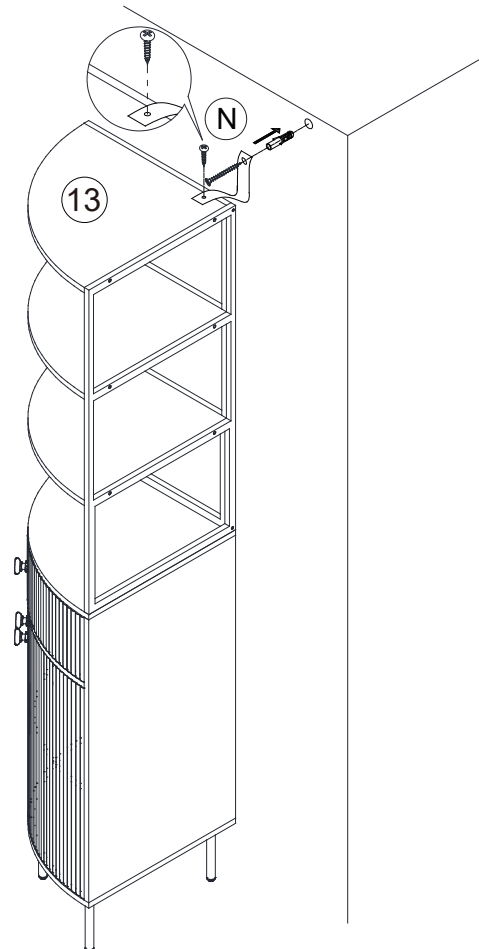


Assembly Instructions

Step 23



Step 24



Assembly Instructions

Step 25

