

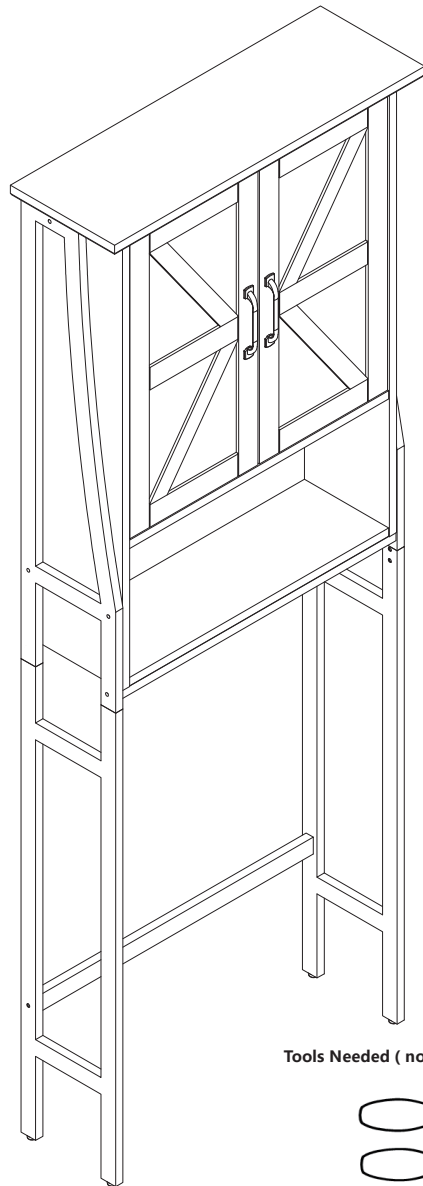
OVER THE TOILET STORAGE SHELF

CONTACT US:

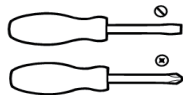
If you have any questions about the installation, please just feel free to contact us

Alternative method to contact us (Amazon.com orders only)

1. Log into your Amazon account
2. Go to "Your Orders" and find the purchase
3. Click on "Contact Seller"



Tools Needed (not included) Flat & Phillips Screwdriver.



Notice:

1. Follow the installation instruction. Please confirm all accessories are presented before installation.
2. Do not fully tighten the screws during initial assembly. Fully tighten screws only once all pieces which are correctly assembled.
3. If you encounter any problems during installation, please contact our customer service.

Item no.	Reference Image	Qty.
①		×1
②		×1
③		×1
④		×1
⑤		×1
⑥		×2
⑦		×1

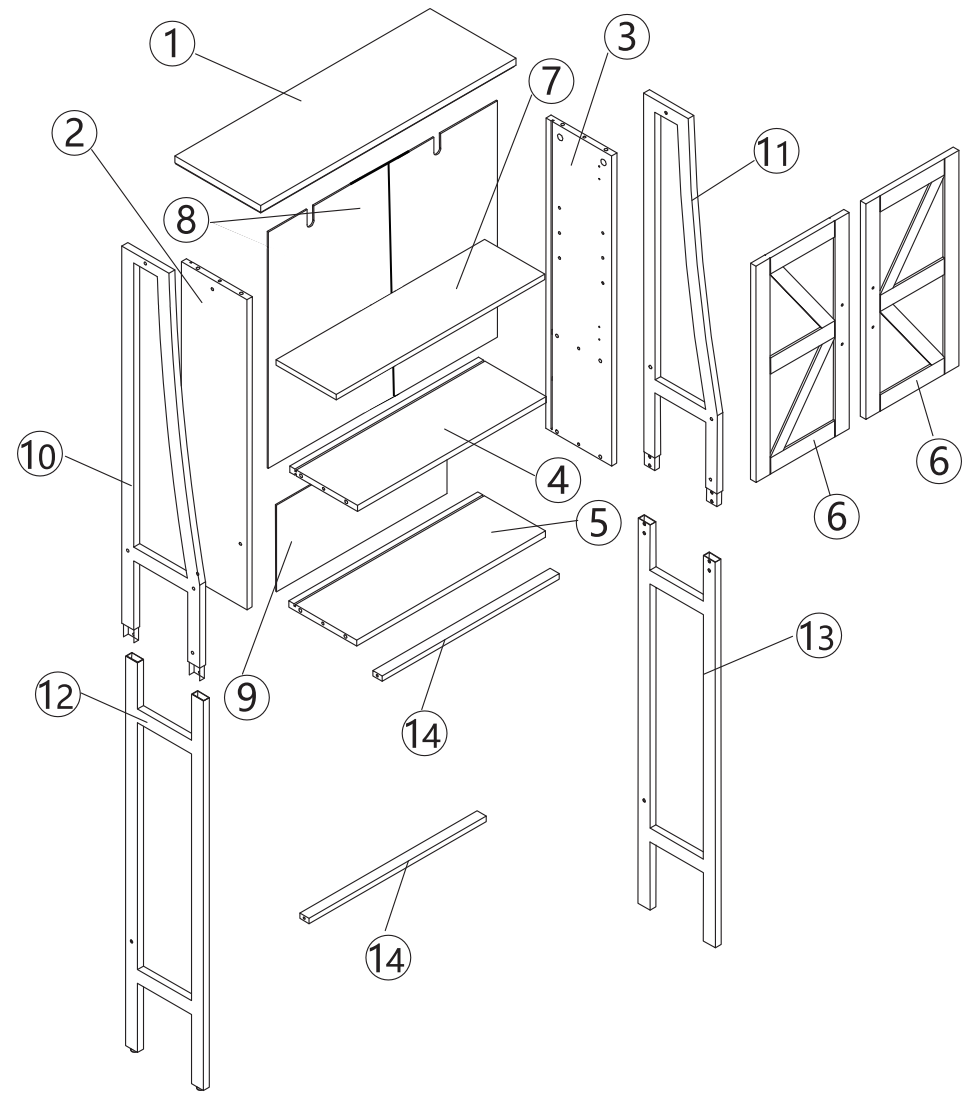
Item no.	Reference Image	Qty.
⑧		×1
⑨		×1
⑩		×1
⑪		×1
⑫		×1
⑬		×1
⑭		×2



Item no.	Reference Image	Qty.
A		x12
B		x12
C		x6
D		x6
E		x2
F		x4
G		x16
H		x1
I		x2

Item no.	Reference Image	Qty.
J		x4
K		x2
L		x2
M		x1
N		x8
O		x2
P		x2
Q		x4
R		x4

Explosion Diagram



Assembly Instructions



Assembly Instructions

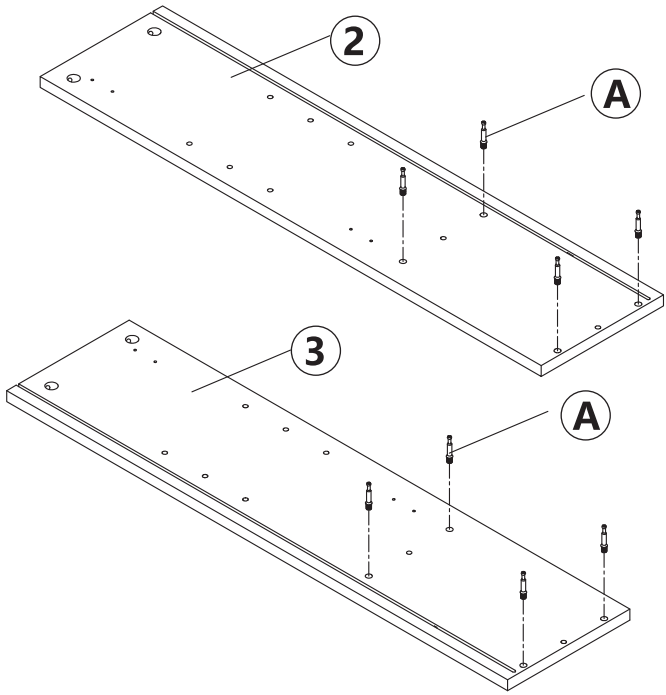


1

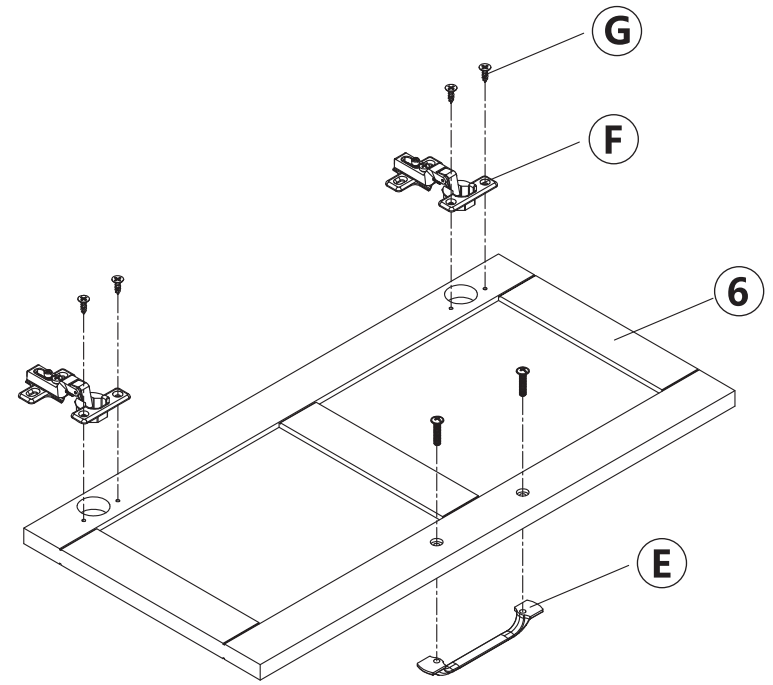
② 1PC ③ 1PC Ⓐ 8PCS

2

⑥ 2PCS Ⓔ 2PCS Ⓕ 4PCS Ⓖ 8PCS



5

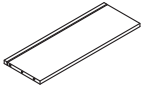


6

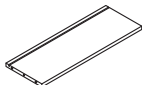
Assembly Instructions



3



④ 1PC



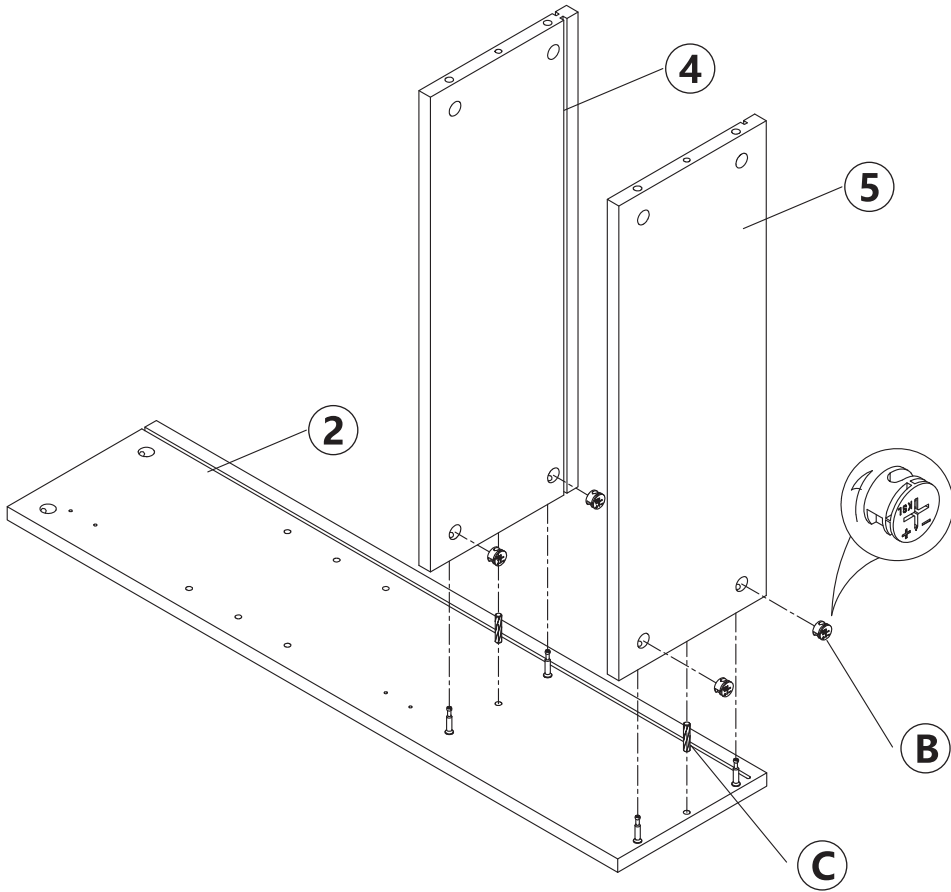
⑤ 1PC



Ⓑ 4PCS



Ⓒ 2PCS

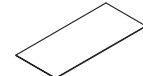


7

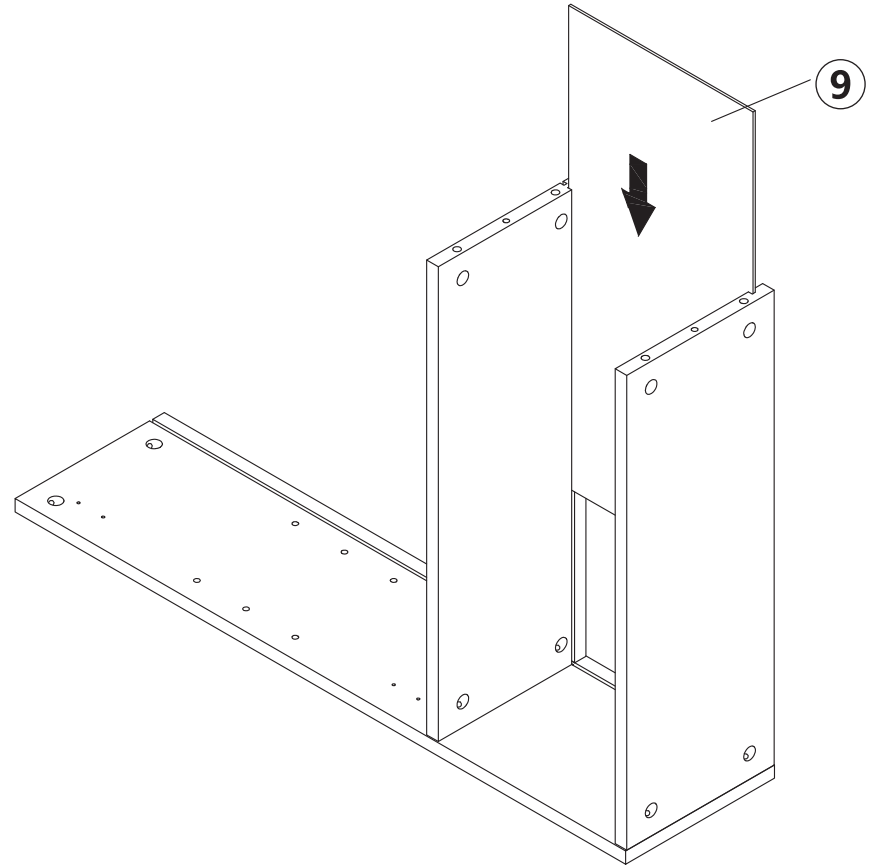
Assembly Instructions



4



⑨ 1PC




8



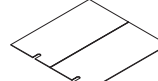
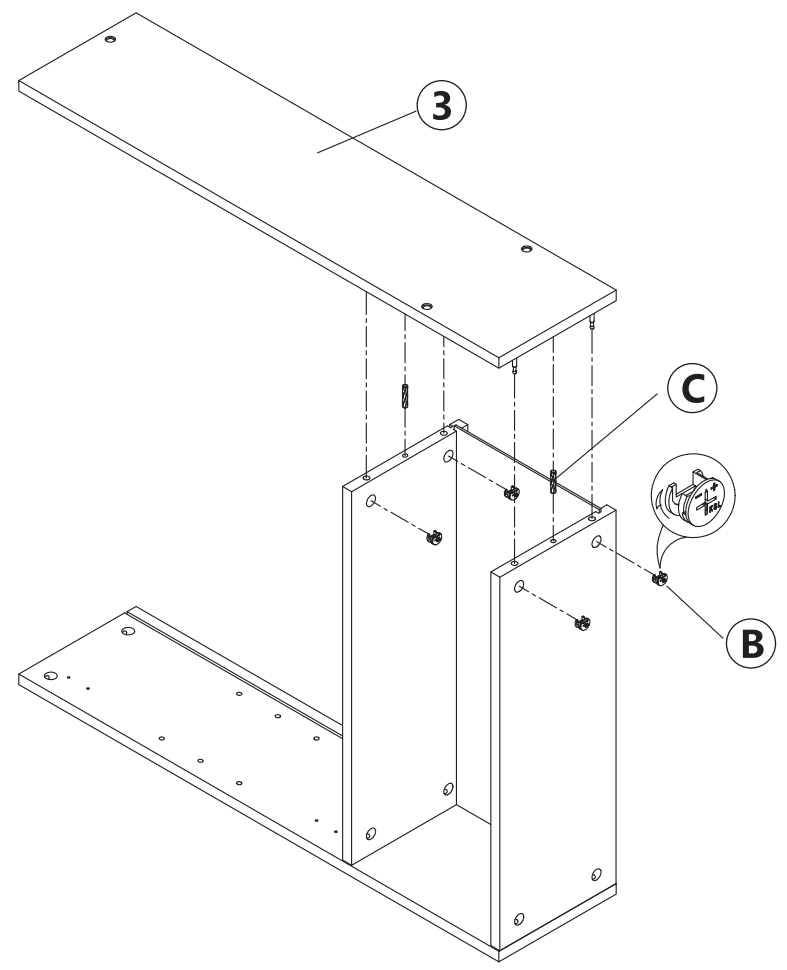
5

B 4PCS **C** 2PCS

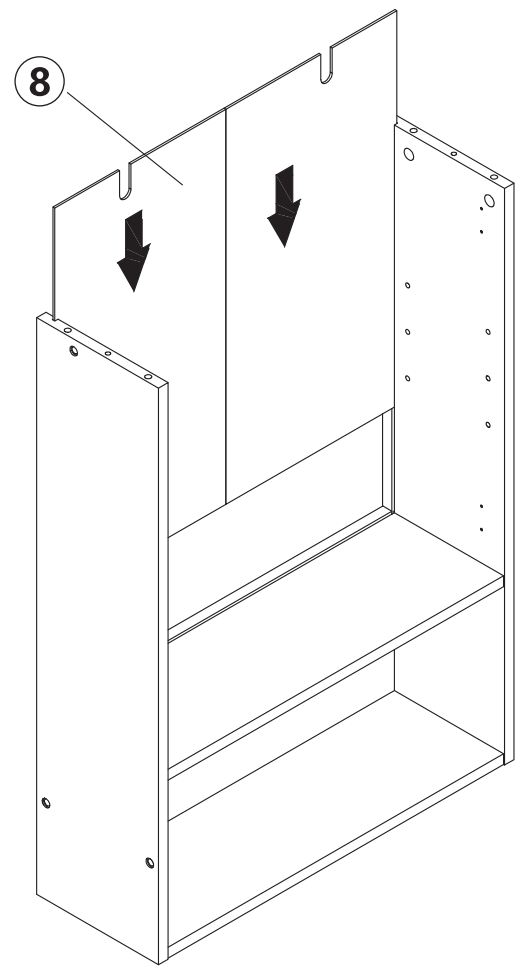


6

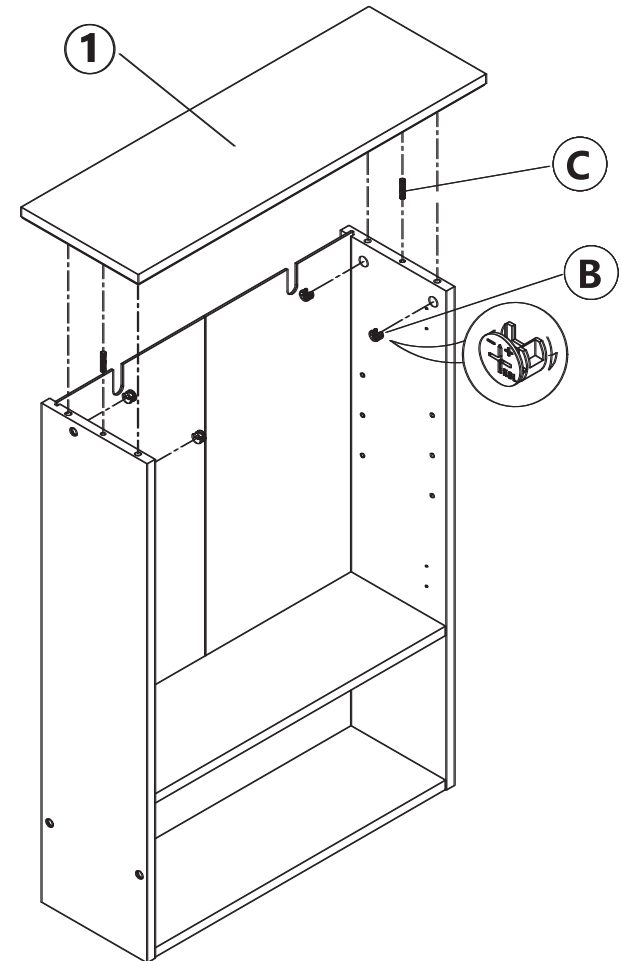
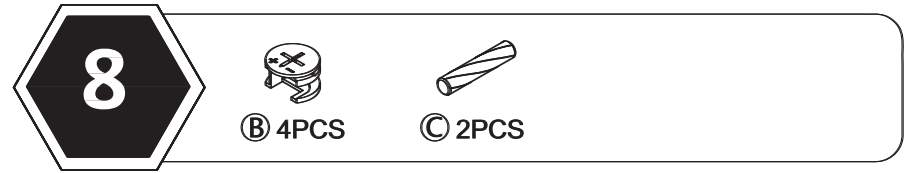
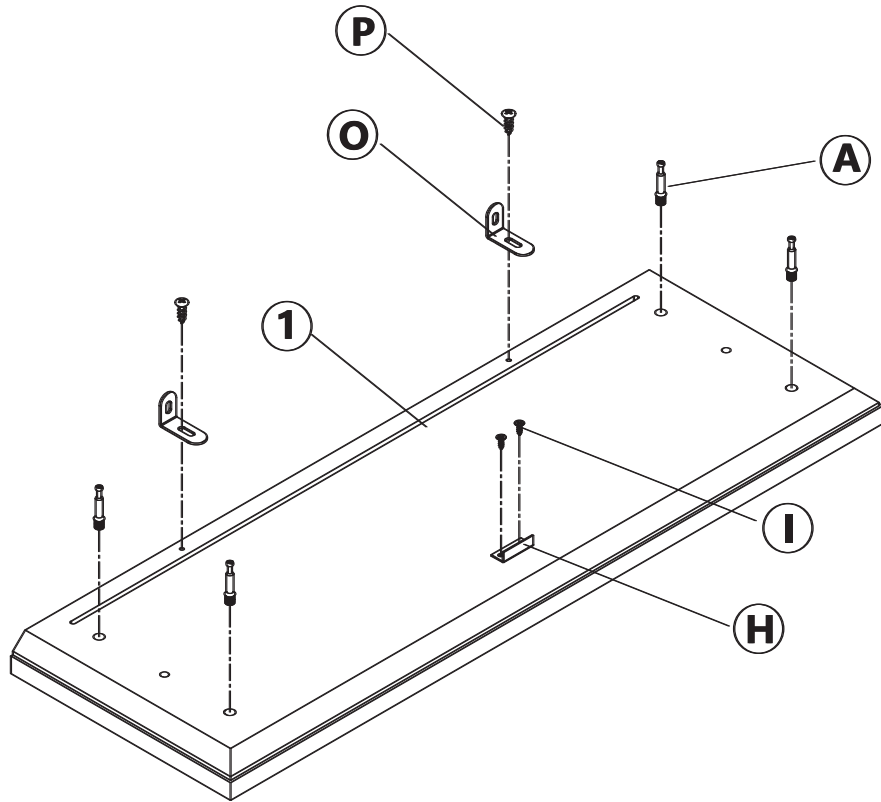
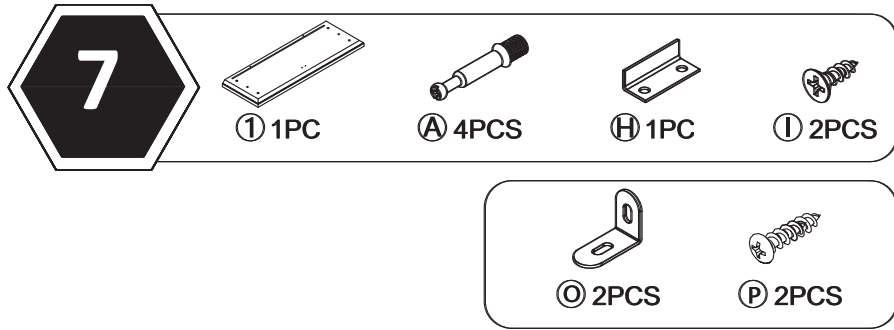
8 1PC

9

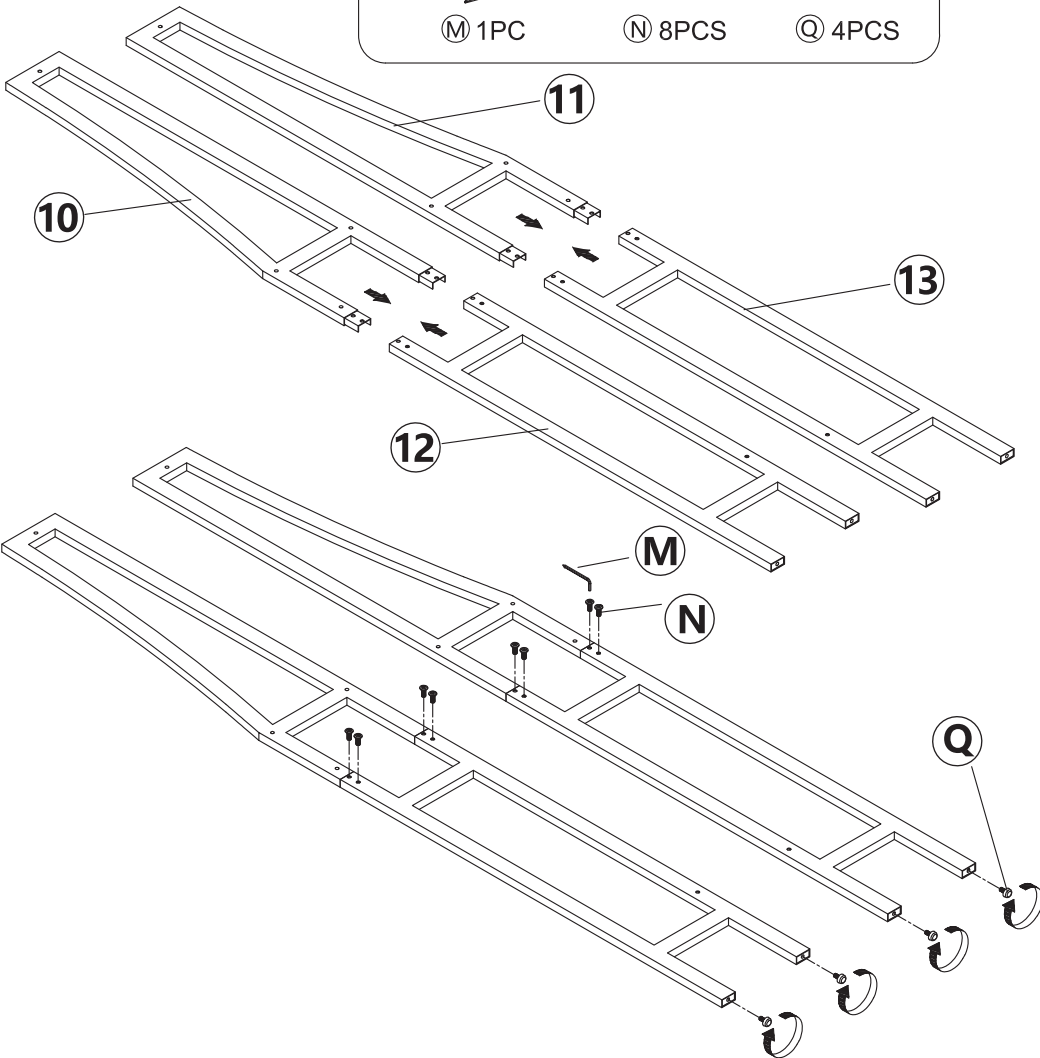
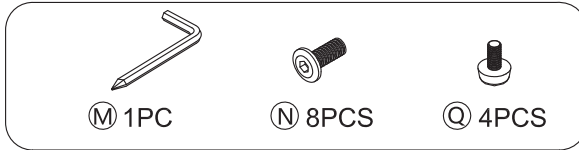
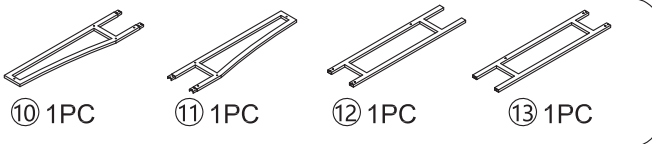


10





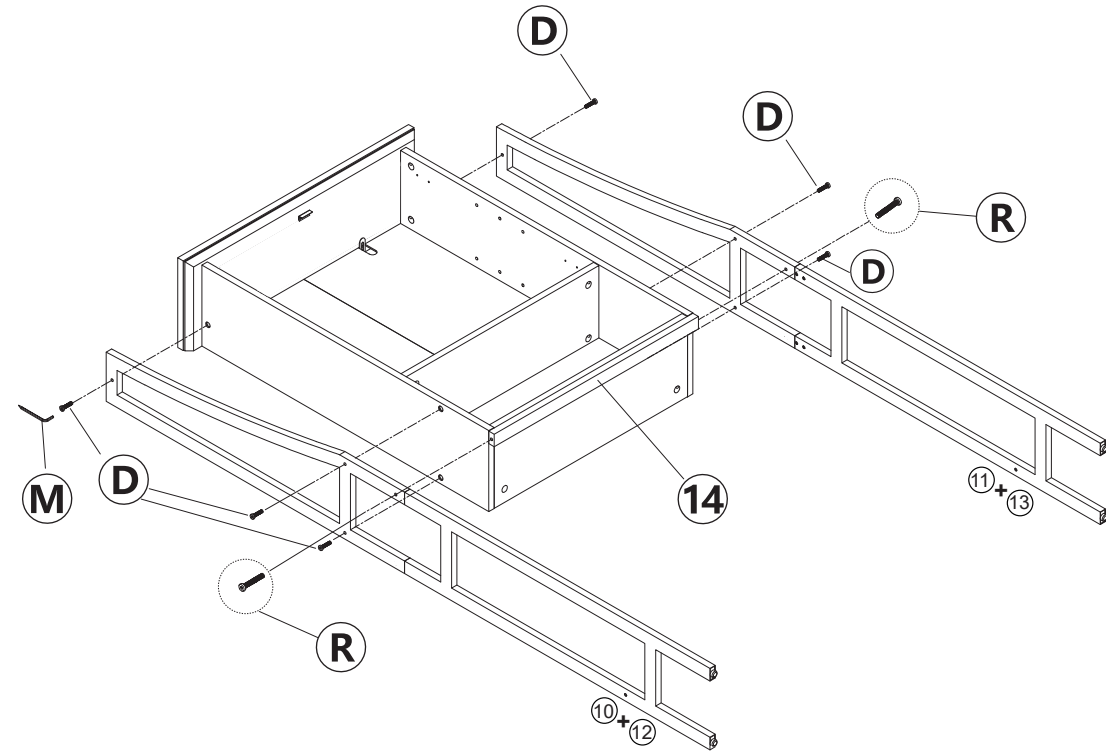
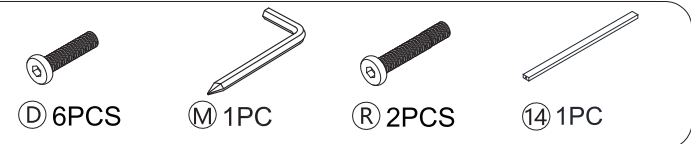
9




13



10


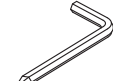
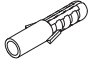
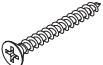



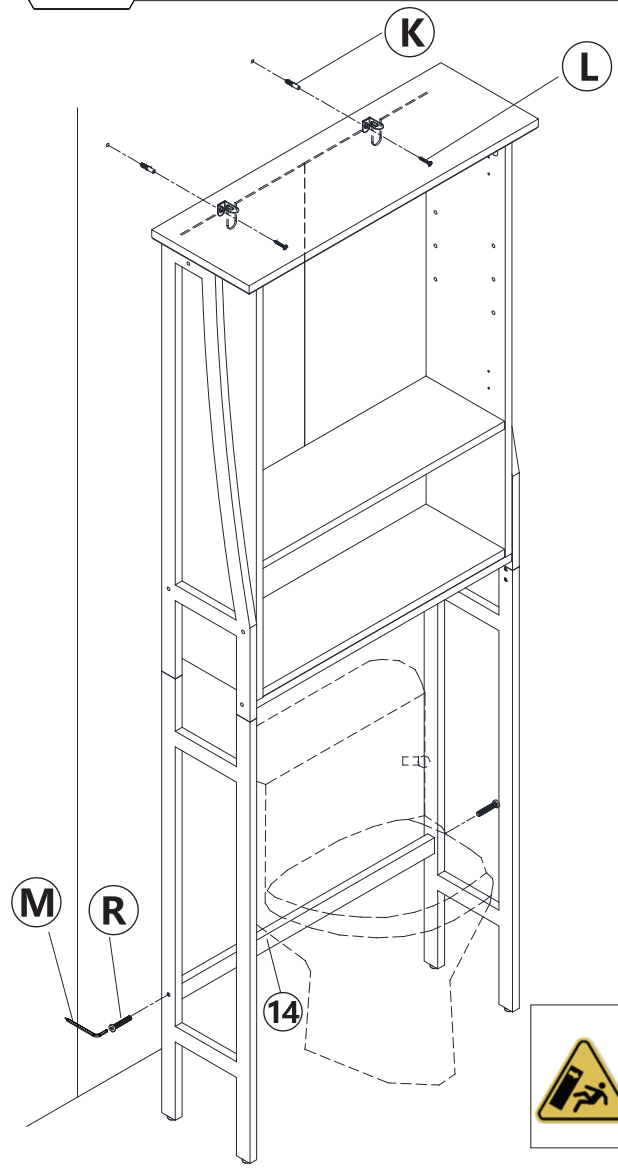
14

 Begin the assembly process by loosely attaching these eight bolts. Tighten approximately 70% of the bolts into the designated holes. Only proceed to fully tighten the bolts once you are confident that the bolt holes on the top wooden cabinet and the metal stand are perfectly aligned.




11

-  R 2PCS
-  M 1PC
-  K 2PCS
-  L 2PCS
-  14 1PC

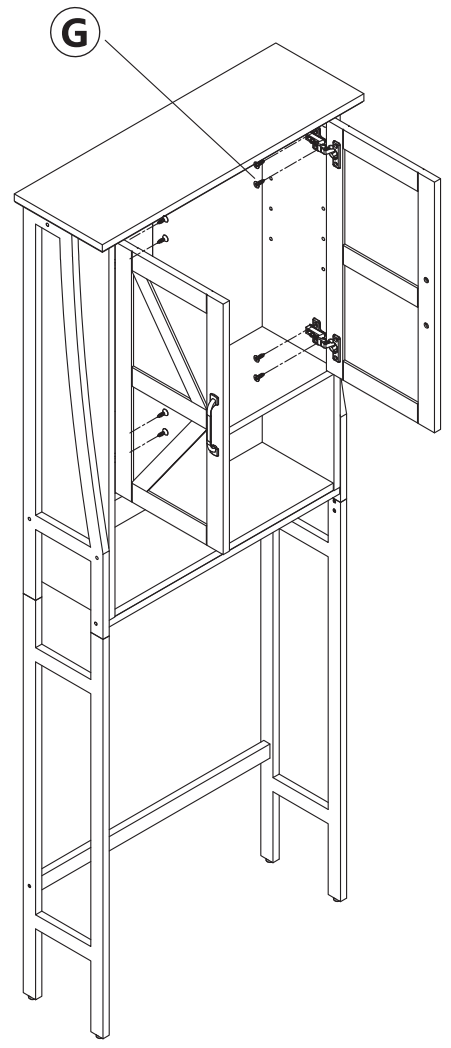


15

 Notes : Highly recommend you to secure the anti-tip accessories to wall to prevent the storage shelf tipping, avoiding injury and property damage.

12

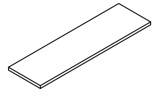
-  G 8PCS



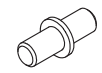
16



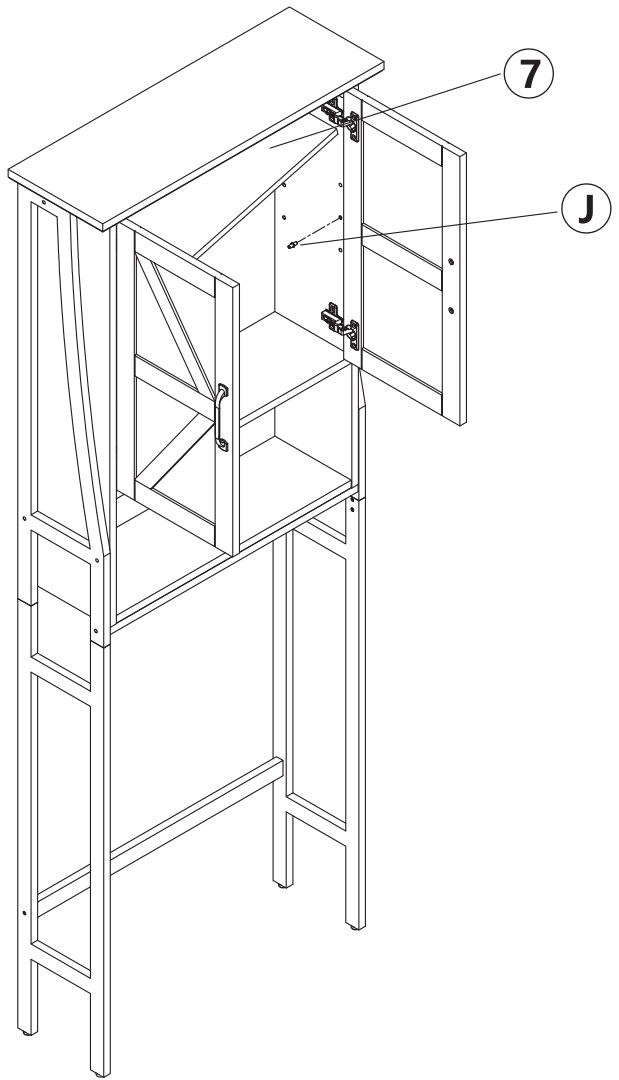
13



⑦ 1PC



① J 4PCS



OPTIONAL DOOR ADJUSTMENT

The cabinet doors have a three-way adjustment feature. Height, side-to-side, level & depth can be adjusted. With the hinge slightly closed you can access the middle screw for up/down adjustment. With the hinge fully extended you can access the front and back screws. These screws will move the door side to side and in & out.

