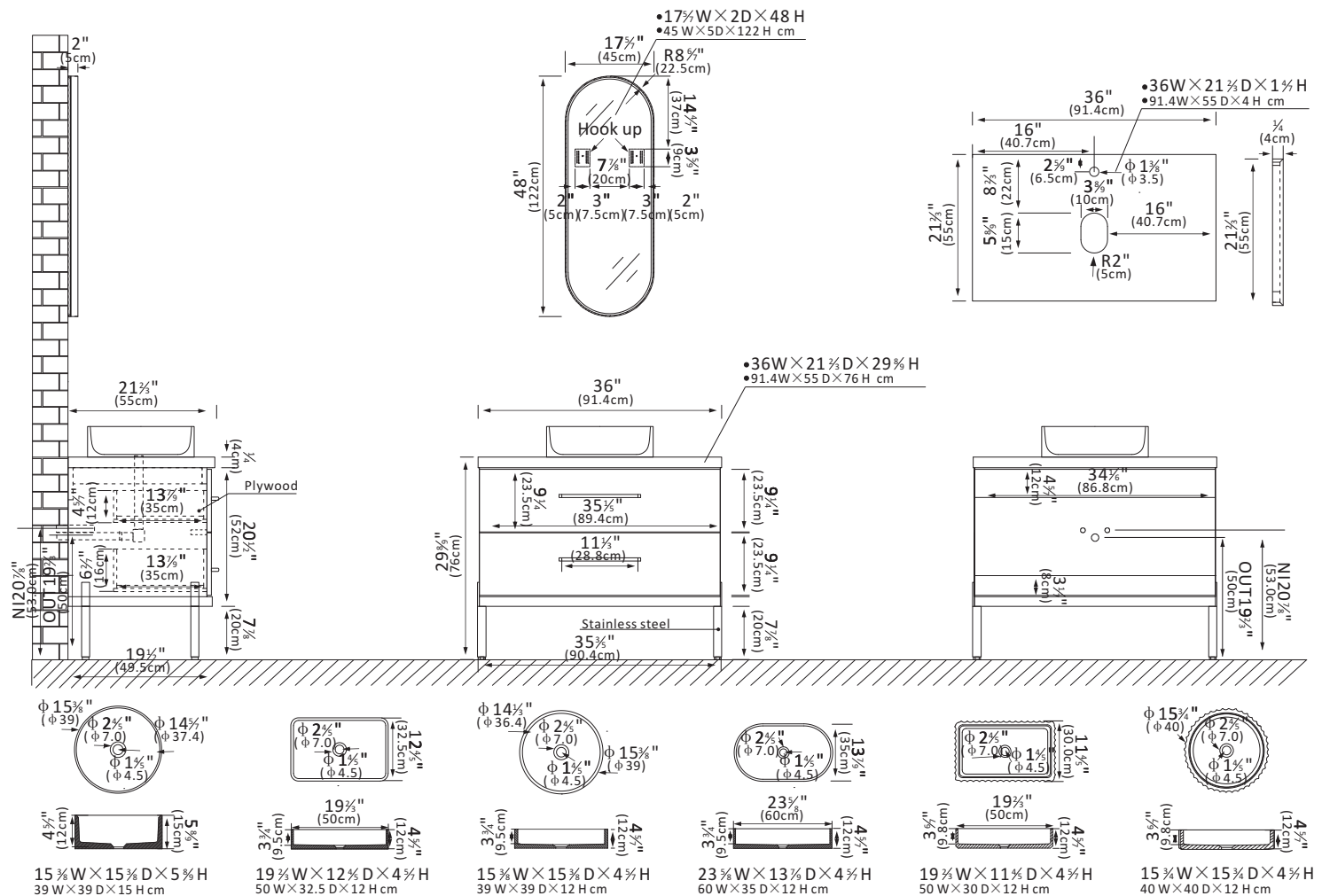


Vanity Collection



Features

- Features multi-layer technology and moisture-proof board construction to ensure supreme sturdiness.
 - Available in beautiful North American Oak finish to complement any décor.
 - 2 soft-closing drawers feature a full-extension glide to maximize your storage space.
 - 1.6"-thick, integrated sintered stone in Black offers a clean, elegant look and resists scratches, stains, and cracks.
 - 45-degree chamfered water retaining edges lend a unique aesthetic while helping to prevent drips.
 - Customize the look of your vanity by choosing the unique concrete sink style you prefer (6 matching basins to choose from):
 - (C): Circular Concrete sink
 - (O): Oval Concrete sink
 - (R): Circular Concrete sink
 - (S): Rectangular Concrete sink
 - (A): Rectangular Concrete sink
 - (B): Circular Concrete sink
 - Matte Black-finish hardware lends a touch of modern style and bold contrast.
 - Single, oval aluminum frame mirror complements the vanity and ties it all together. (Mirror Option)
 - Countertop has a pre-drilled, standard 1-3/8" faucet hole for easy plumbing and faucet installation.
 - Freestanding bathroom vanity (without back panel) comes partially assembled for your convenience; Matte Black support feet must be installed.
 - 1-Year Manufacturer Warranty—purchase with 100% peace of mind.
- * Does not include faucet, overflow, drain assembly, P-trap and backsplash.

* *Good to Remind: The natural tone and colors of the cabinet and countertop may appear slightly different under various lighting conditions.*